



US00D850833S

(12) **United States Design Patent** (10) **Patent No.:** **US D850,833 S**
Gevaert et al. (45) **Date of Patent:** **** Jun. 11, 2019**

(54) **LECTERN**
(71) Applicant: **Krueger International, Inc.**, Green Bay, WI (US)

D324,615 S 3/1992 Diffrient
5,109,778 A 5/1992 Berkowitz et al.
D415,635 S 10/1999 Bengtsson
D433,581 S * 11/2000 Miller D6/700
(Continued)

(72) Inventors: **Steven C. Gevaert**, De Pere, WI (US);
Xeng Xue Vang, Green Bay, WI (US);
Scott Anthony Bosman, Green Bay, WI (US)

FOREIGN PATENT DOCUMENTS

CA 171238 6/2017

(73) Assignee: **Krueger International, Inc.**, Green Bay, WI (US)

OTHER PUBLICATIONS

Ruckus lectern, posted at Furniture.ki.com, posted on Apr. 11, 2018, site visited Feb. 25, 2019. online, available from internet: <http://furniture.ki.com/about/pressroom/press-releases/2018/share-ki-introduces-ruckus-mobile-height-adjustable-lectern/> (Year: 2018).*
(Continued)

(**) Term: **15 Years**

Primary Examiner — Mary Ann Calabrese
Assistant Examiner — Catherine Ho

(21) Appl. No.: **29/632,591**

(22) Filed: **Jan. 9, 2018**

(51) **LOC (11) Cl.** **06-06**

(52) **U.S. Cl.**
USPC **D6/700**

(58) **Field of Classification Search**
USPC D6/640, 641, 642, 643, 643.1, 644, 648, D6/648.1, 648.3, 648.4, 649, 650, 651, D6/652, 655, 655.1, 655.11, 656, 668, D6/672, 675, 685, 688.11, 688.21, D6/688.27, 690, 695, 698, 696.1, 700, D6/709.22

CPC A47B 9/00; A47B 9/04; A47B 9/06; A47B 3/08; A47B 21/00; A47B 21/02; A47B 21/06; A47B 21/007; A47B 21/0314; A47B 2009/185; A47B 2200/0013; A47B 2200/0026; A47B 2200/0085; A47B 2200/0087

See application file for complete search history.

(74) *Attorney, Agent, or Firm* — Andrus Intellectual Property Law, LLP

(57) **CLAIM**

The ornamental design for a lectern, as shown and described.

DESCRIPTION

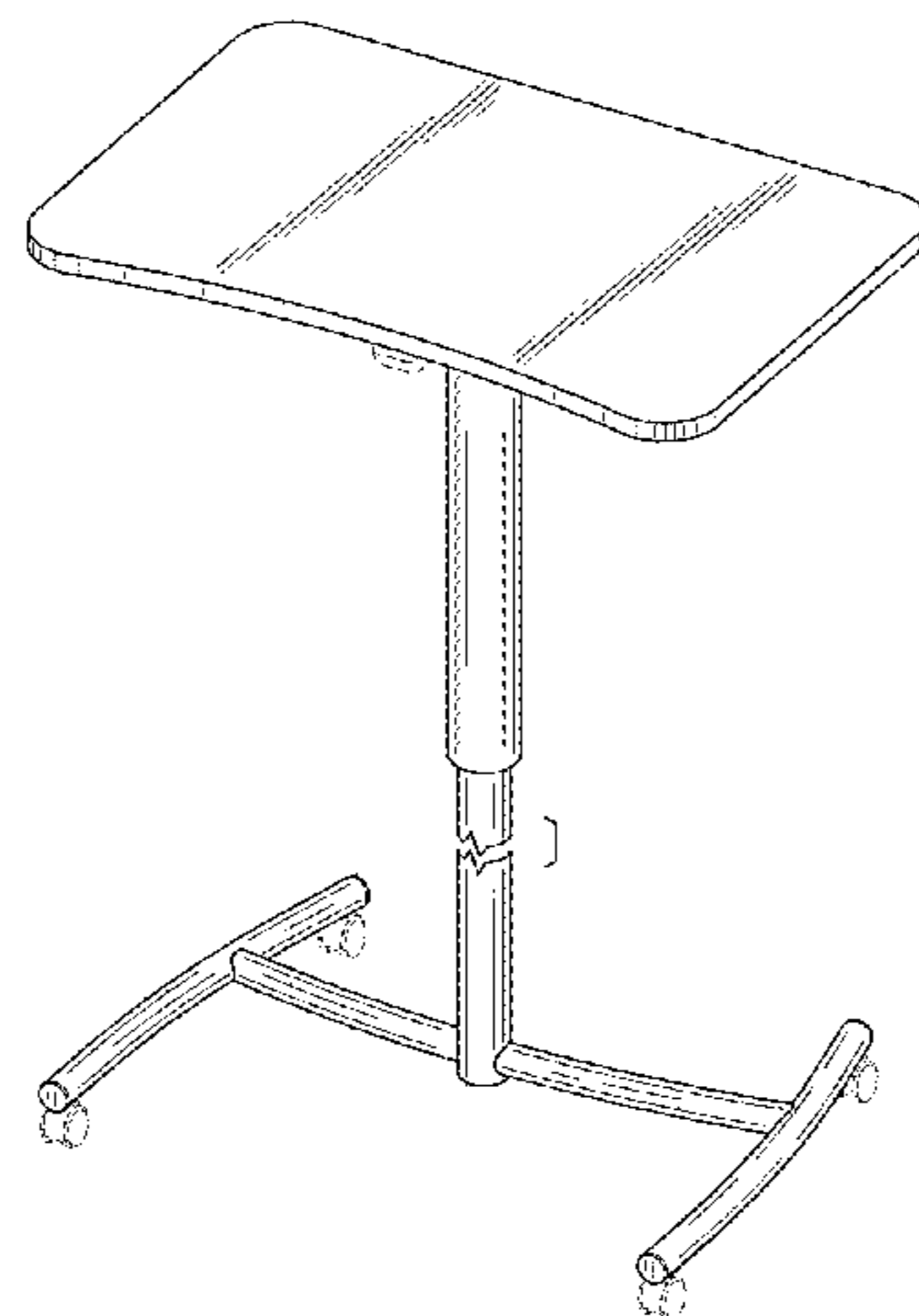
FIG. 1 is a front isometric view of a lectern; FIG. 2 is a front elevation view thereof; FIG. 3 is a rear elevation view thereof; FIG. 4 is a right side elevation view thereof; FIG. 5 is a left side elevation view thereof; FIG. 6 is a top plan view thereof; and, FIG. 7 is a bottom plan view thereof.
The broken lines in the drawing view are included for purposes of illustrating environment and form no part of the claimed design. The lectern is shown with symbolic breaks in length. The appearance of any portion of the article between the break lines forms no part of the claimed design.

1 Claim, 5 Drawing Sheets

(56) **References Cited**

U.S. PATENT DOCUMENTS

4,064,815 A 12/1977 Baum
4,444,124 A 4/1984 Burr
D296,851 S 7/1988 Kelley



(56)

References Cited

U.S. PATENT DOCUMENTS

D463,687 S 10/2002 Goodworth
 D548,496 S 8/2007 Samtani
 D578,324 S 10/2008 Glass et al.
 D581,704 S 12/2008 Hwang
 D612,169 S 3/2010 Chang
 D640,486 S 6/2011 Saelid
 D665,191 S 8/2012 Yamamoto
 D677,075 S * 3/2013 Rodgers D6/672
 D687,656 S 8/2013 Copeland
 D691,840 S 10/2013 Copeland
 D693,152 S 11/2013 Yamamoto
 D694,044 S 11/2013 Copeland
 D697,345 S * 1/2014 Therrien D6/700
 D702,974 S 4/2014 Madison et al.
 D720,948 S 1/2015 Gonzalez et al.
 D730,096 S 5/2015 Hosoya
 D731,220 S 6/2015 Fletcher
 D731,221 S 6/2015 Hosoya
 D749,878 S 2/2016 Domingo
 D759,994 S 6/2016 Lin
 D770,814 S 11/2016 Davidson et al.
 D782,232 S * 3/2017 Procter D6/700

D787,237 S 5/2017 Bowman et al.
 D799,869 S 10/2017 Yoo et al.
 D815,476 S * 4/2018 Procter D6/700
 D819,370 S * 6/2018 Lenhart D6/656.13
 D835,441 S * 12/2018 Procter D6/700
 10,182,648 B1 * 1/2019 Lai A47B 13/081
 2004/0188587 A1 * 9/2004 Michell A47B 19/002
 248/457
 2005/0012014 A1 * 1/2005 Willner A47B 19/10
 248/441.1
 2006/0272481 A1 * 12/2006 Frank G10H 1/0008
 84/600
 2009/0050773 A1 * 2/2009 McCarty A47B 19/00
 248/441.1
 2011/0147560 A1 * 6/2011 Camarillo A47B 13/023
 248/371
 2013/0284077 A1 10/2013 Copeland et al.
 2015/0189982 A1 7/2015 Fitzpatrick et al.

OTHER PUBLICATIONS

Canadian Office Action for Canadian Industrial Design Patent
 Application No. 180678 dated Jan. 29, 2019.

* cited by examiner

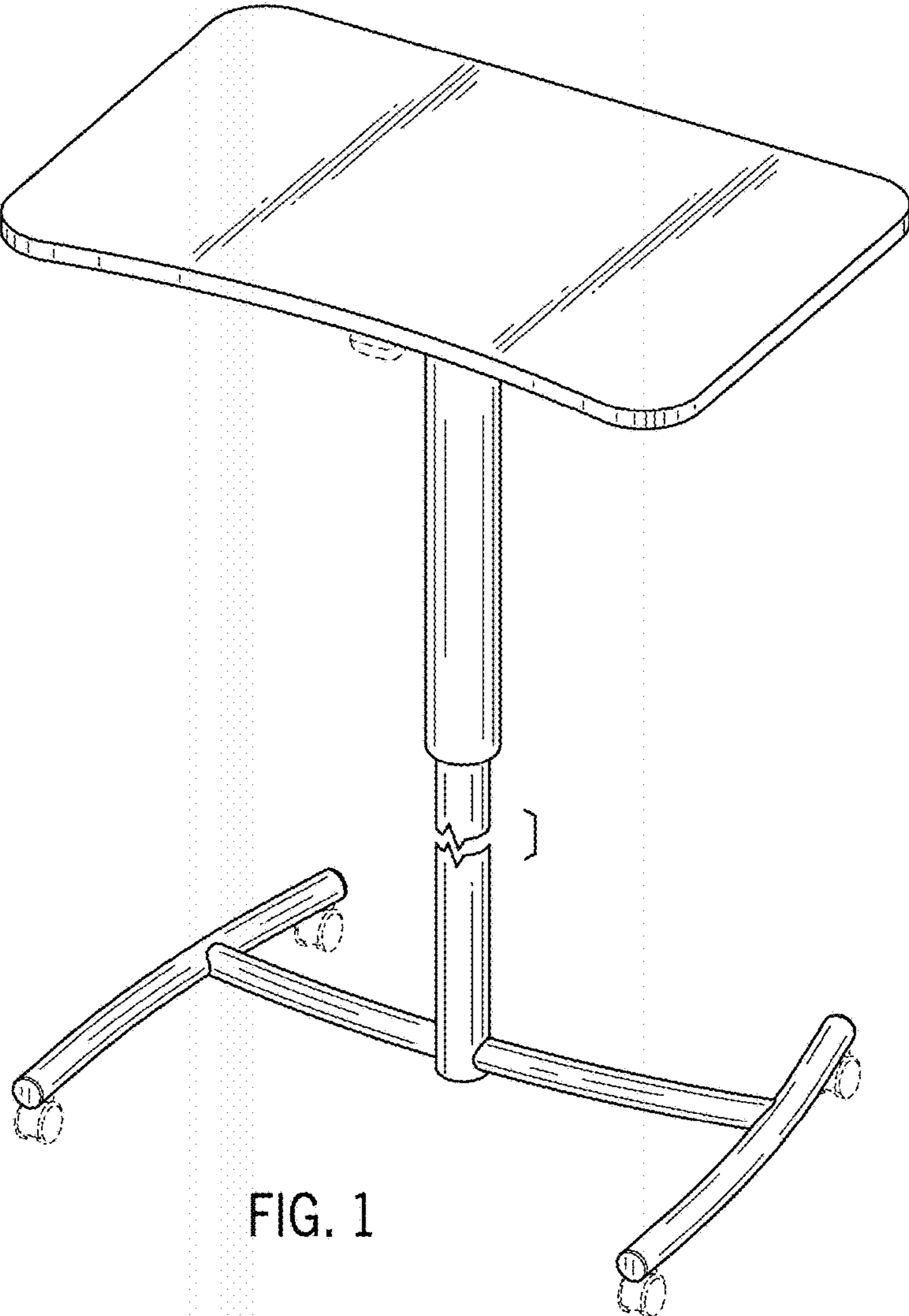


FIG. 1

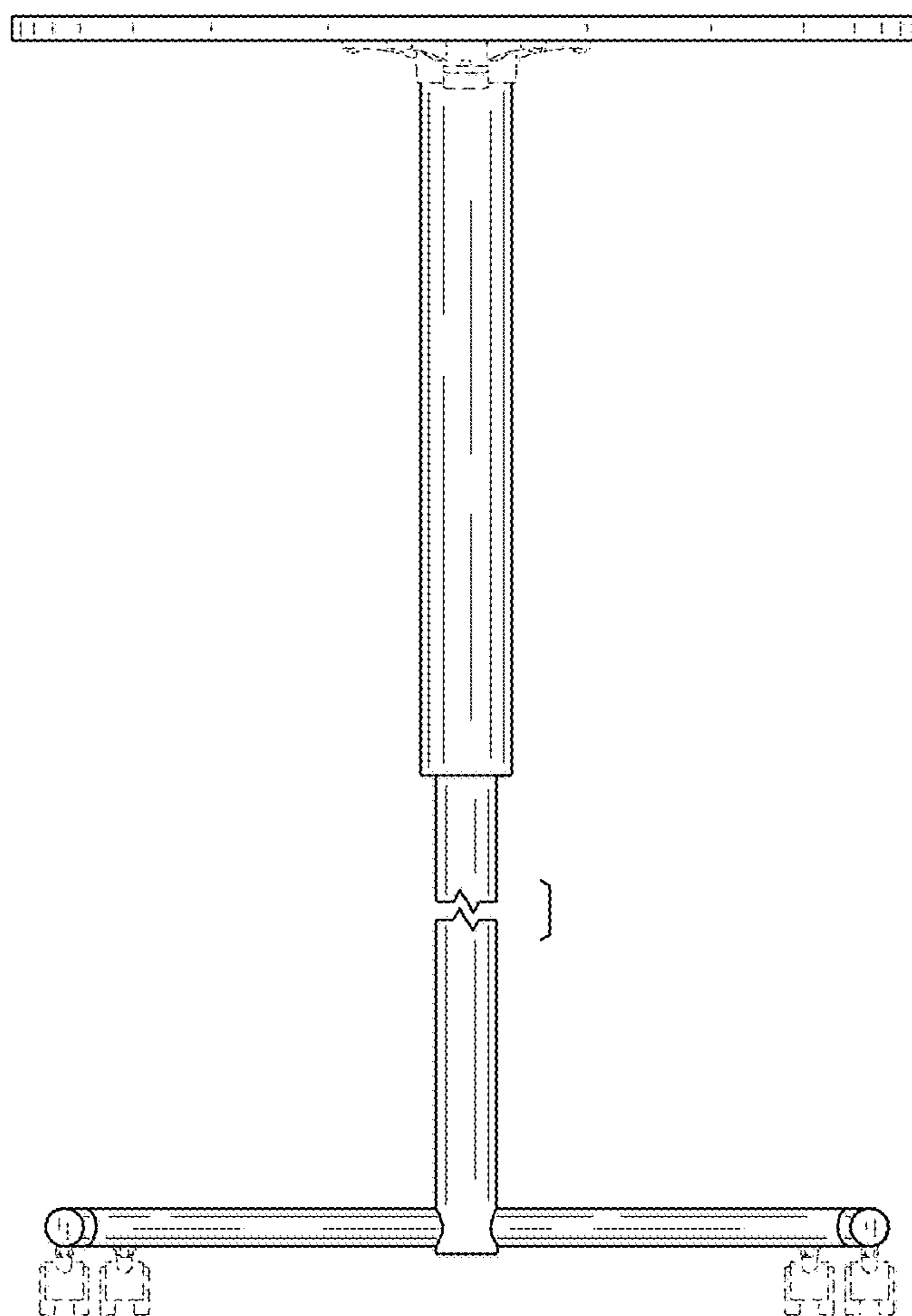


FIG. 2

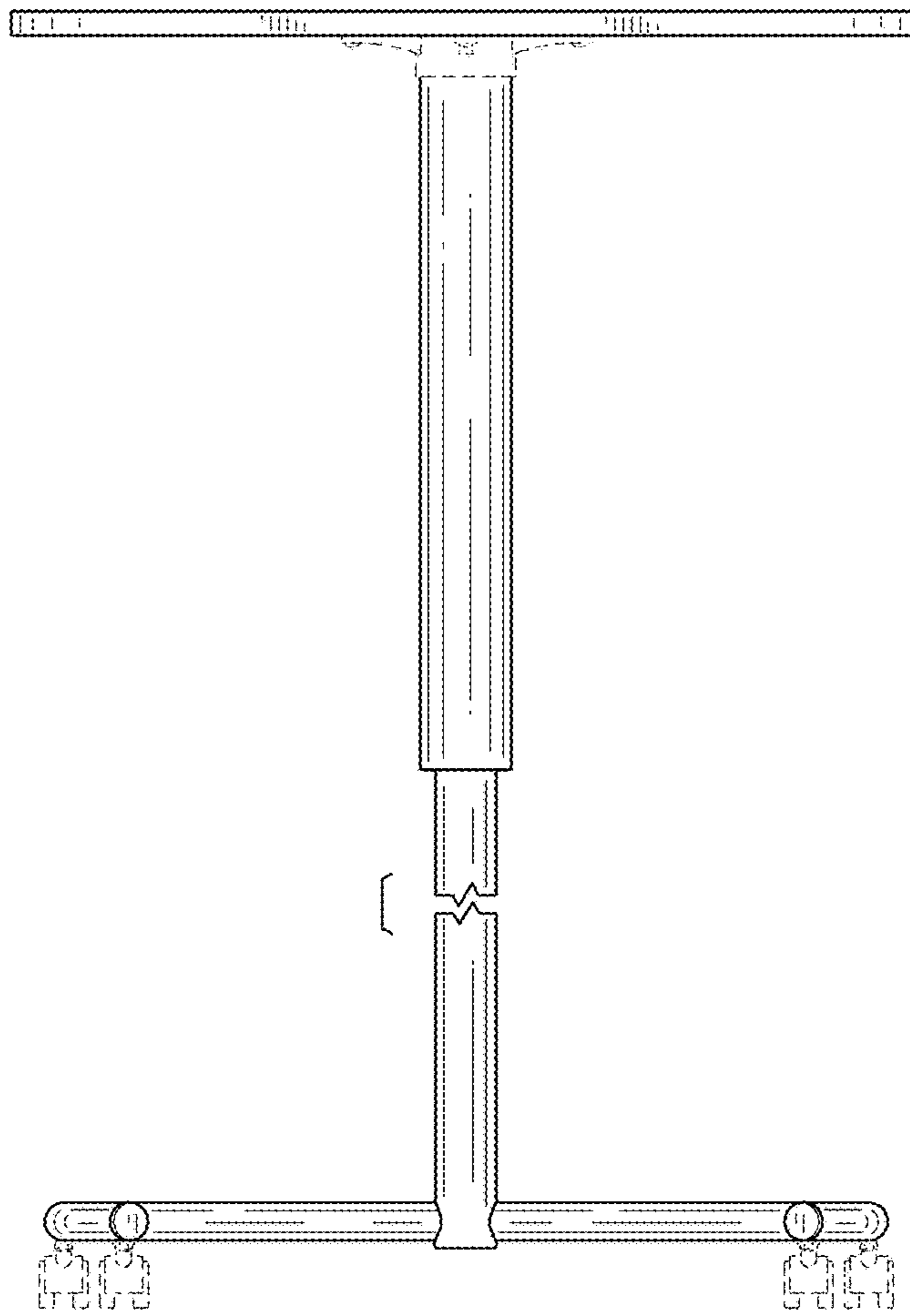


FIG. 3

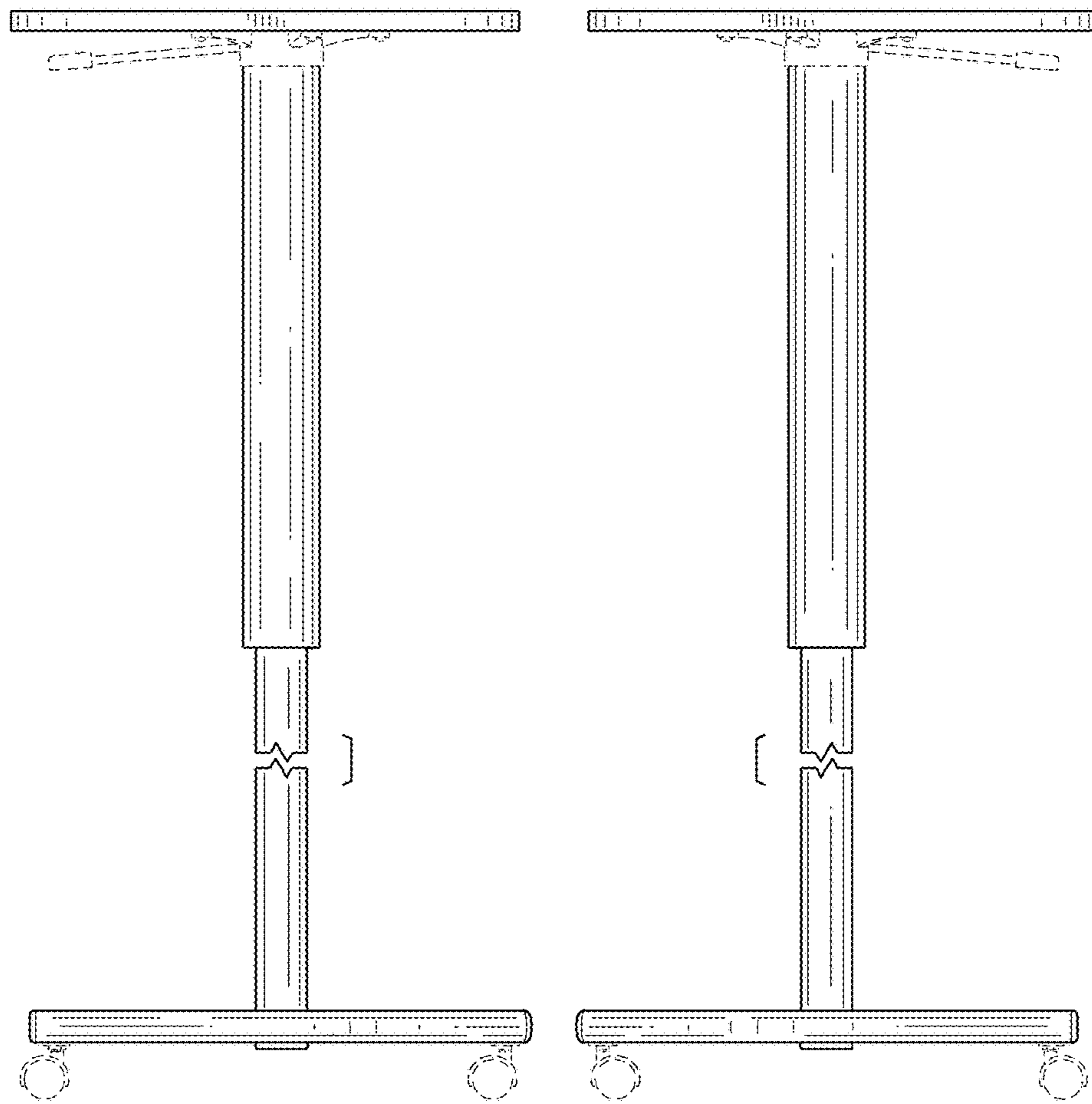


FIG. 4

FIG. 5

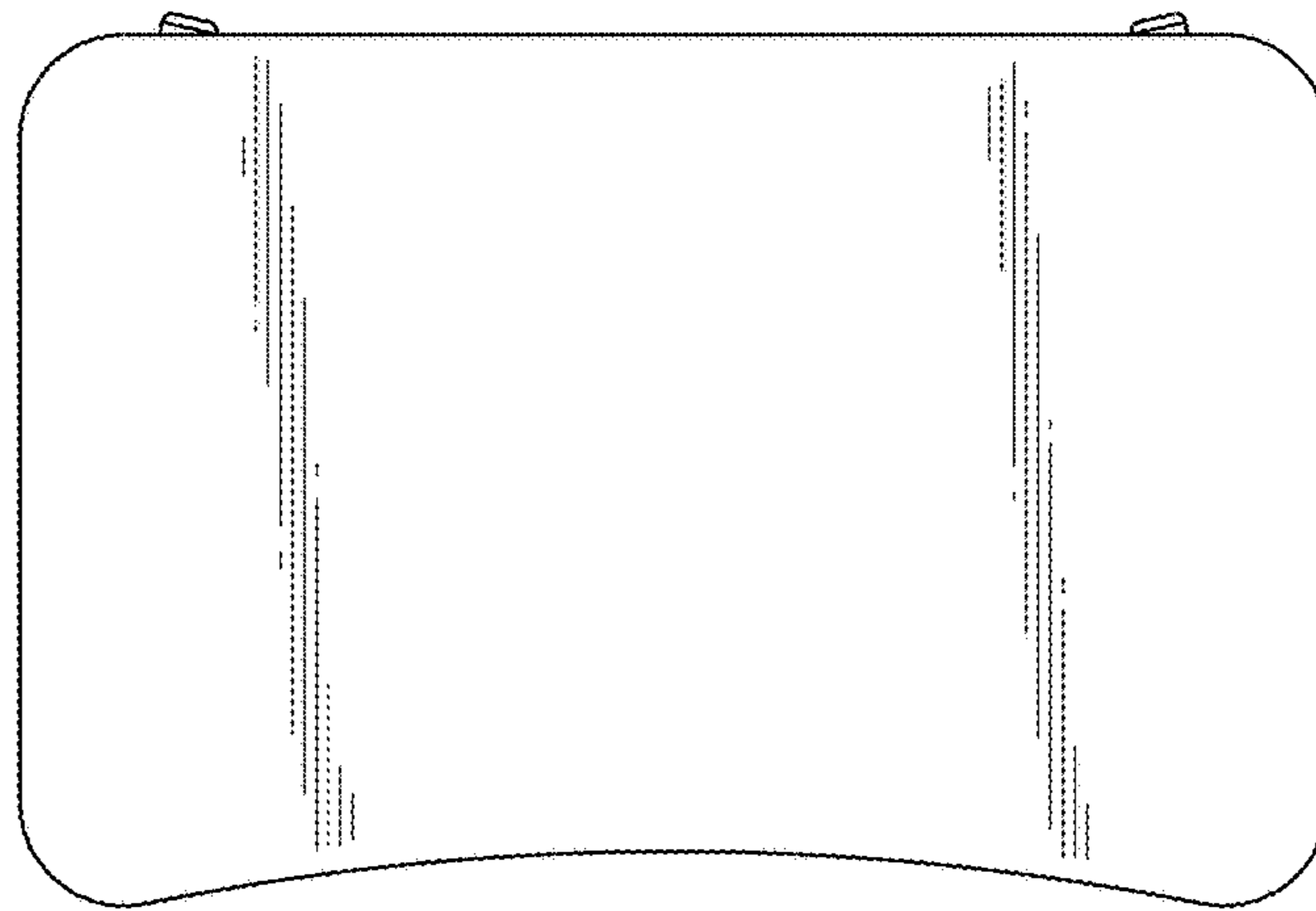


FIG. 6

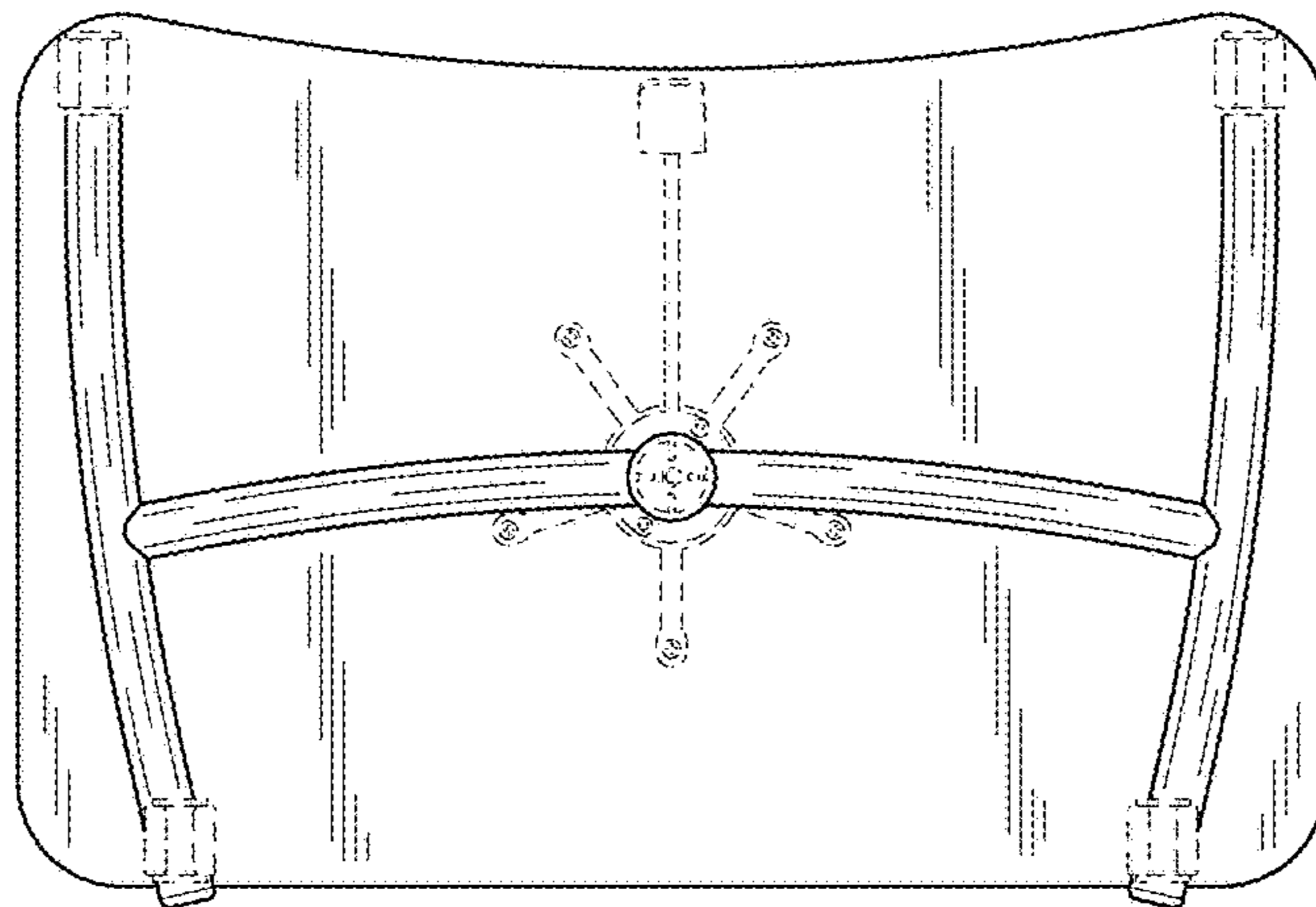


FIG. 7