



US00D850832S

(12) **United States Design Patent**  
**Bieschke**

(10) **Patent No.:** **US D850,832 S**

(45) **Date of Patent:** **\*\* Jun. 11, 2019**

(54) **TABLE**

(71) Applicant: **Williams-Sonoma, Inc.**, San Francisco, CA (US)

(72) Inventor: **Karissa Bieschke**, San Francisco, CA (US)

(73) Assignee: **Williams-Sonoma, Inc.**, San Francisco, CA (US)

(\*\*) Term: **15 Years**

(21) Appl. No.: **29/616,630**

(22) Filed: **Sep. 7, 2017**

(51) **LOC (11) Cl.** ..... **06-03**

(52) **U.S. Cl.**  
USPC ..... **D6/692.5; D6/692.6; D6/687**

(58) **Field of Classification Search**  
USPC ..... D6/641, 685-687, 692, 692.1-692.6  
CPC .... A47B 7/00; A47B 7/02; A47B 9/00; A47B 13/00; A47B 13/003; A47B 13/02; A47B 13/04; A47B 13/06; A47B 13/08; A47B 13/12; A47B 21/00; A47B 2200/0001; A47B 2200/0011

See application file for complete search history.

(56) **References Cited**

**U.S. PATENT DOCUMENTS**

D93,307 S \* 9/1934 Treitel ..... 108/92  
D97,163 S \* 10/1935 Kipp ..... D6/692

D134,388 S \* 11/1942 Waltman ..... D6/692  
D134,978 S \* 2/1943 Waltman ..... 108/59  
D249,855 S \* 10/1978 Levell ..... D6/692  
D291,266 S \* 8/1987 Lin ..... D6/677.1  
D370,142 S \* 5/1996 Konecny ..... D6/677.1  
D552,893 S \* 10/2007 Everson ..... D6/692.6  
D578,320 S \* 10/2008 Weatherly ..... D6/692

\* cited by examiner

*Primary Examiner* — Mary Ann Calabrese

(74) *Attorney, Agent, or Firm* — Cook Alex Ltd.; R. Blake Johnston

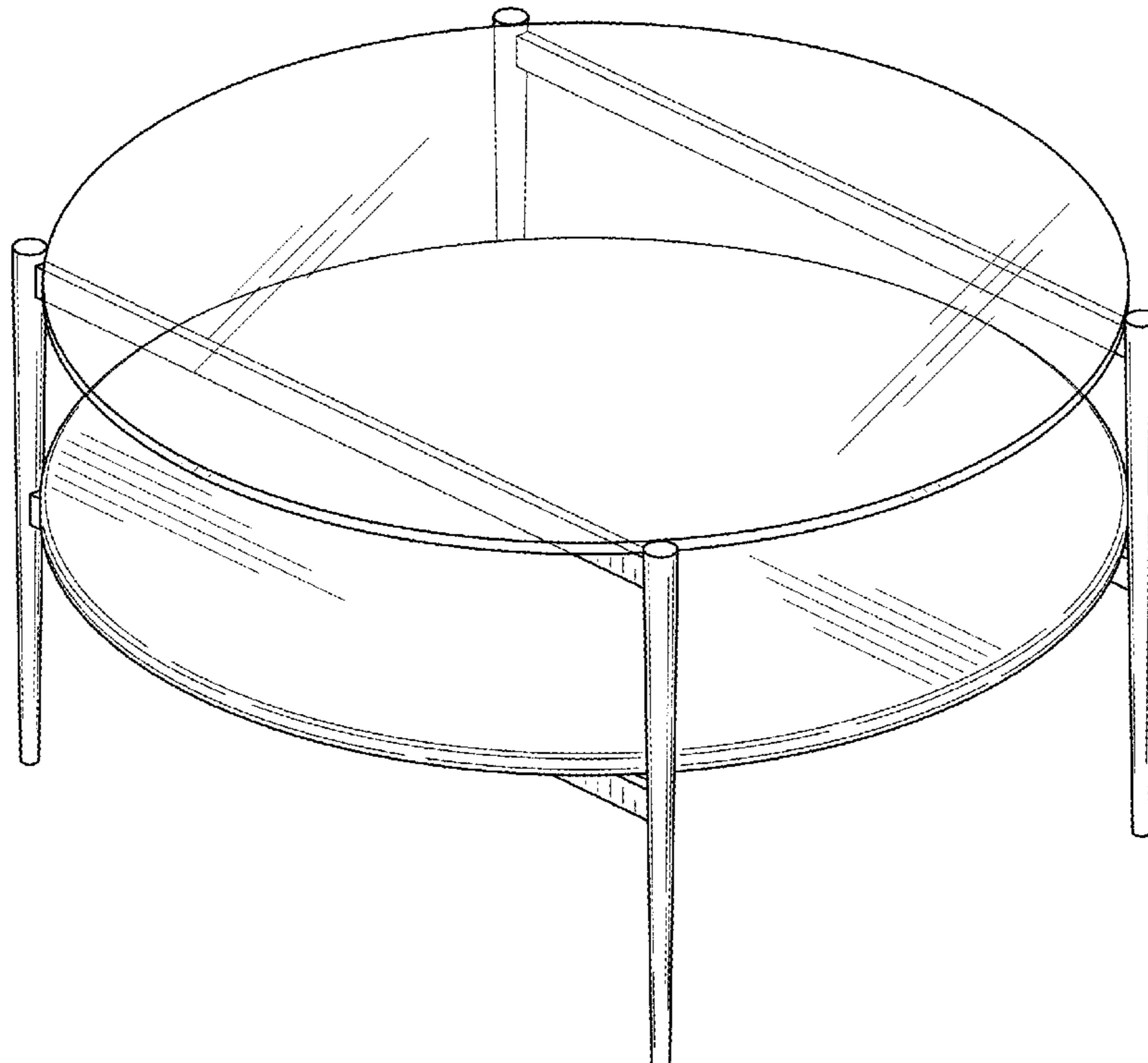
(57) **CLAIM**

The ornamental design for a table, as shown and described.

**DESCRIPTION**

FIG. 1 is a perspective view of the table;  
FIG. 2 is a front elevational view of the table, the rear side of which is identical;  
FIG. 3 is a right side elevational view of the table, the opposite side of which is identical;  
FIG. 4 is a top plan view of the table; and  
FIG. 5 is a bottom plan view of the table.

**1 Claim, 4 Drawing Sheets**



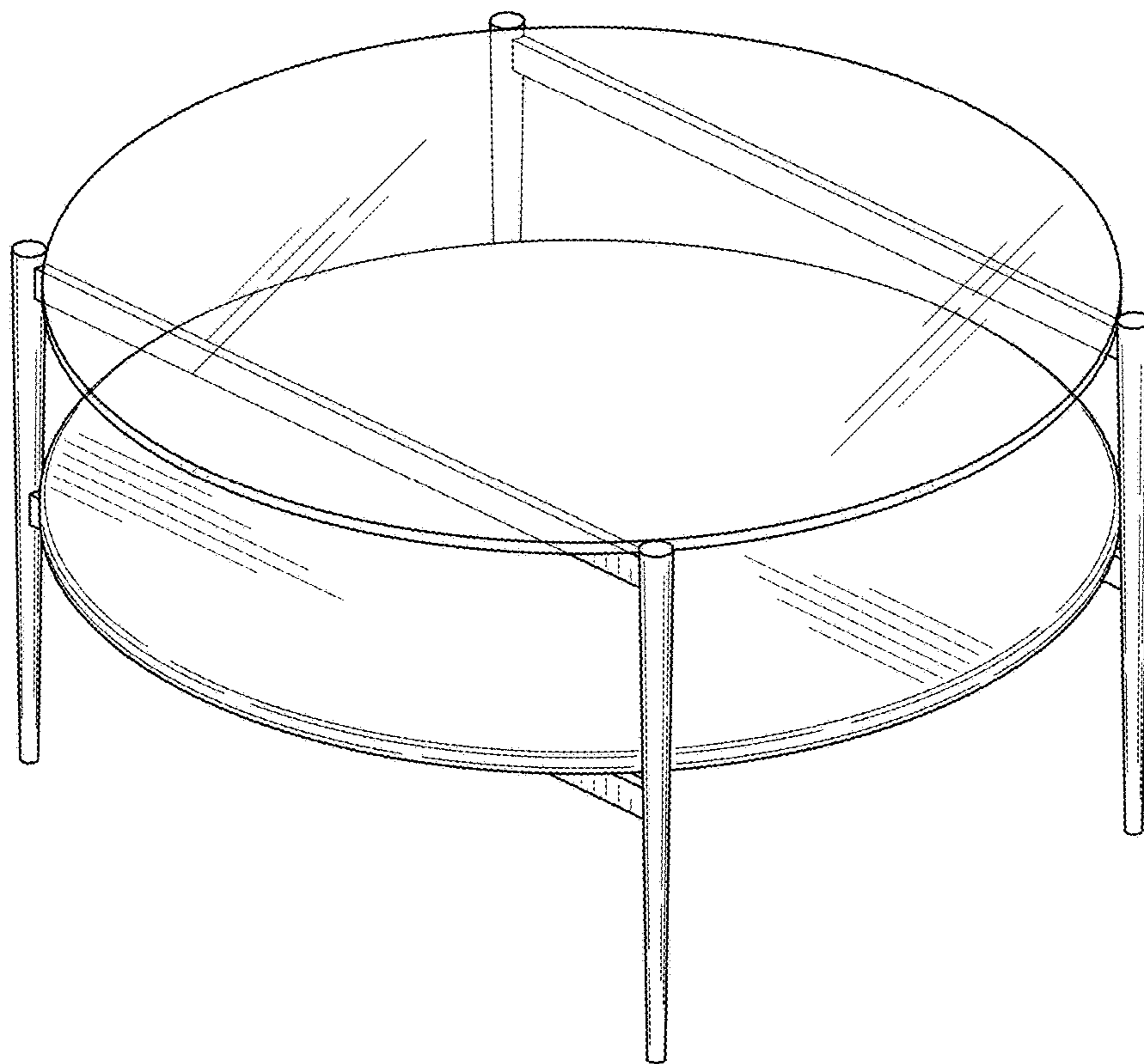


FIG. 1

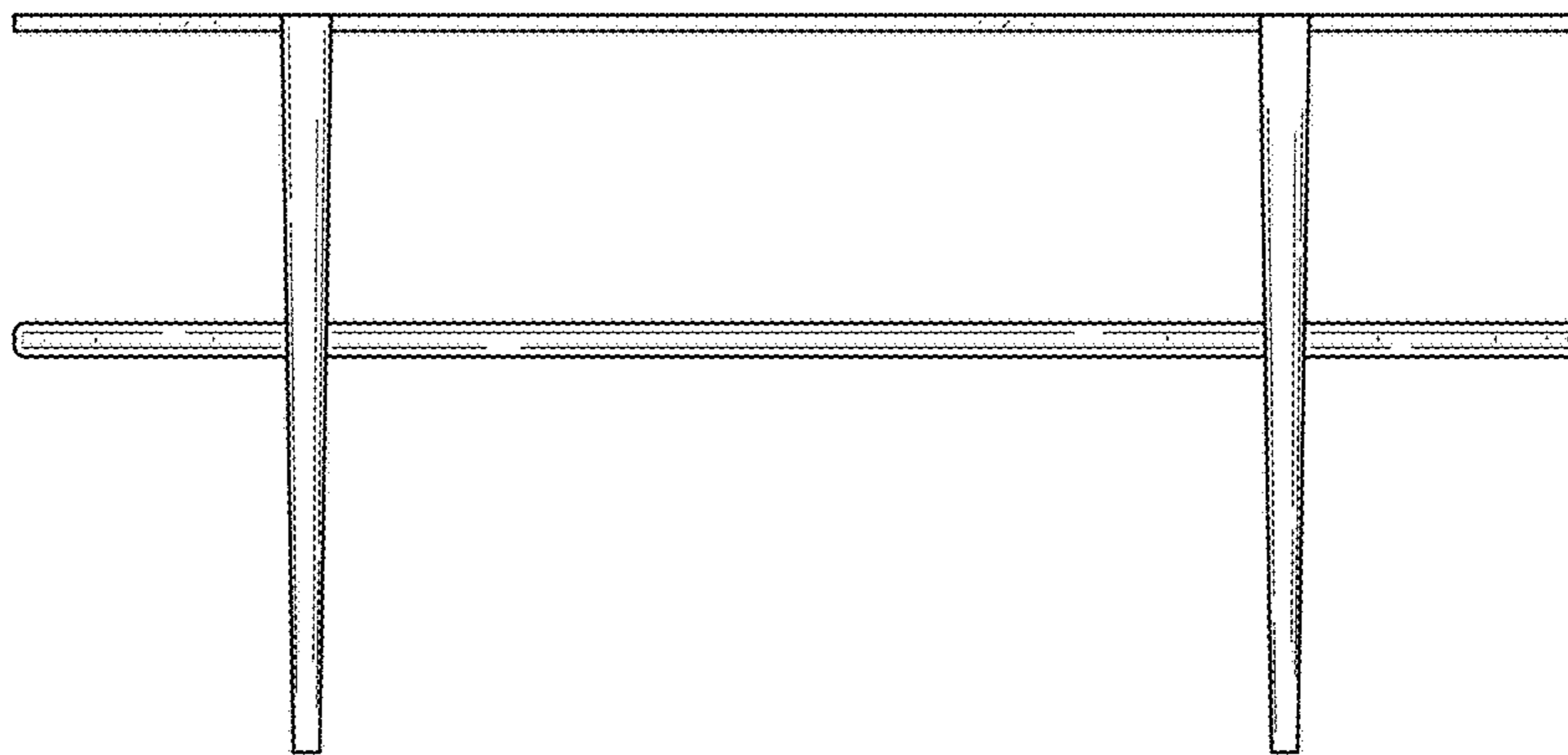


FIG. 2

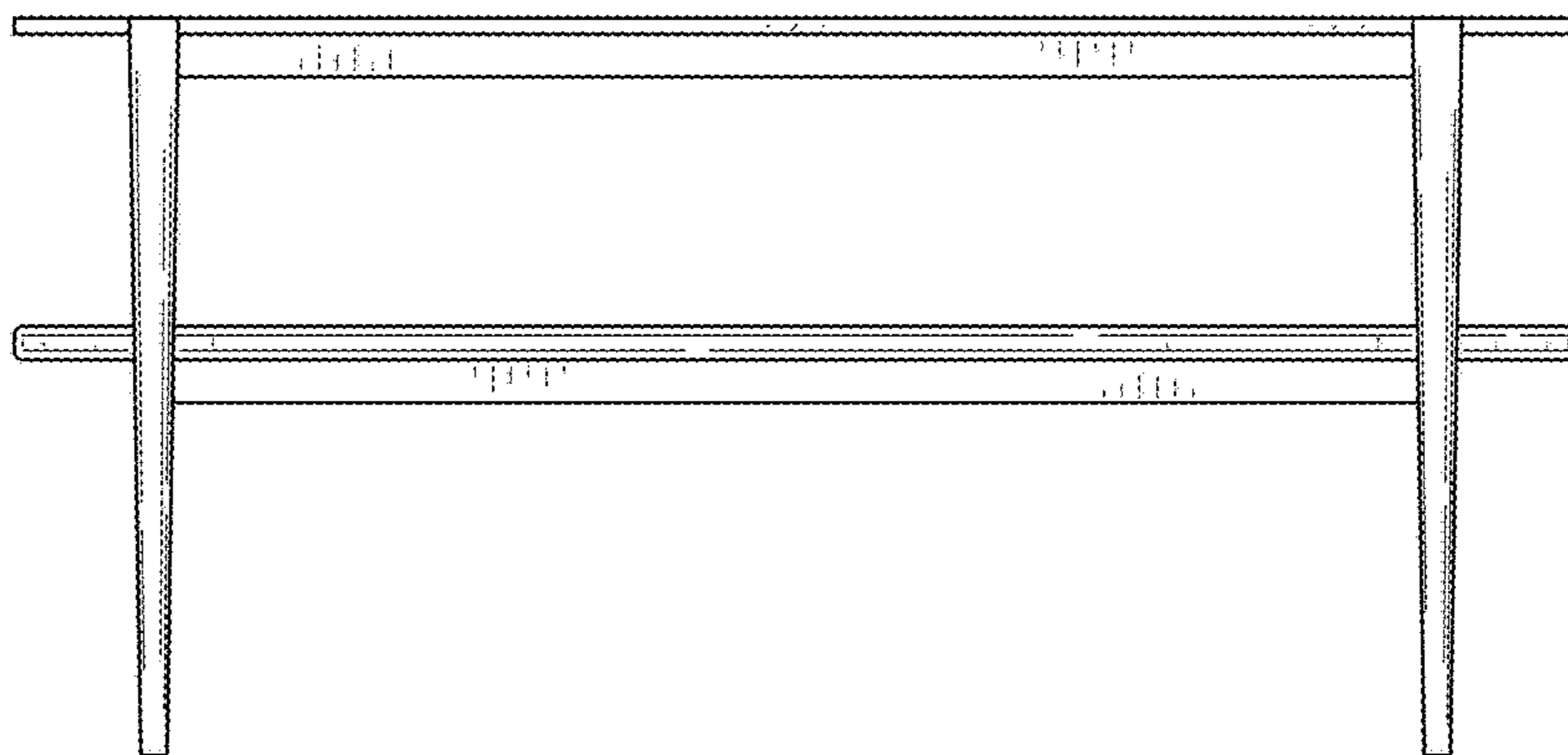


FIG. 3

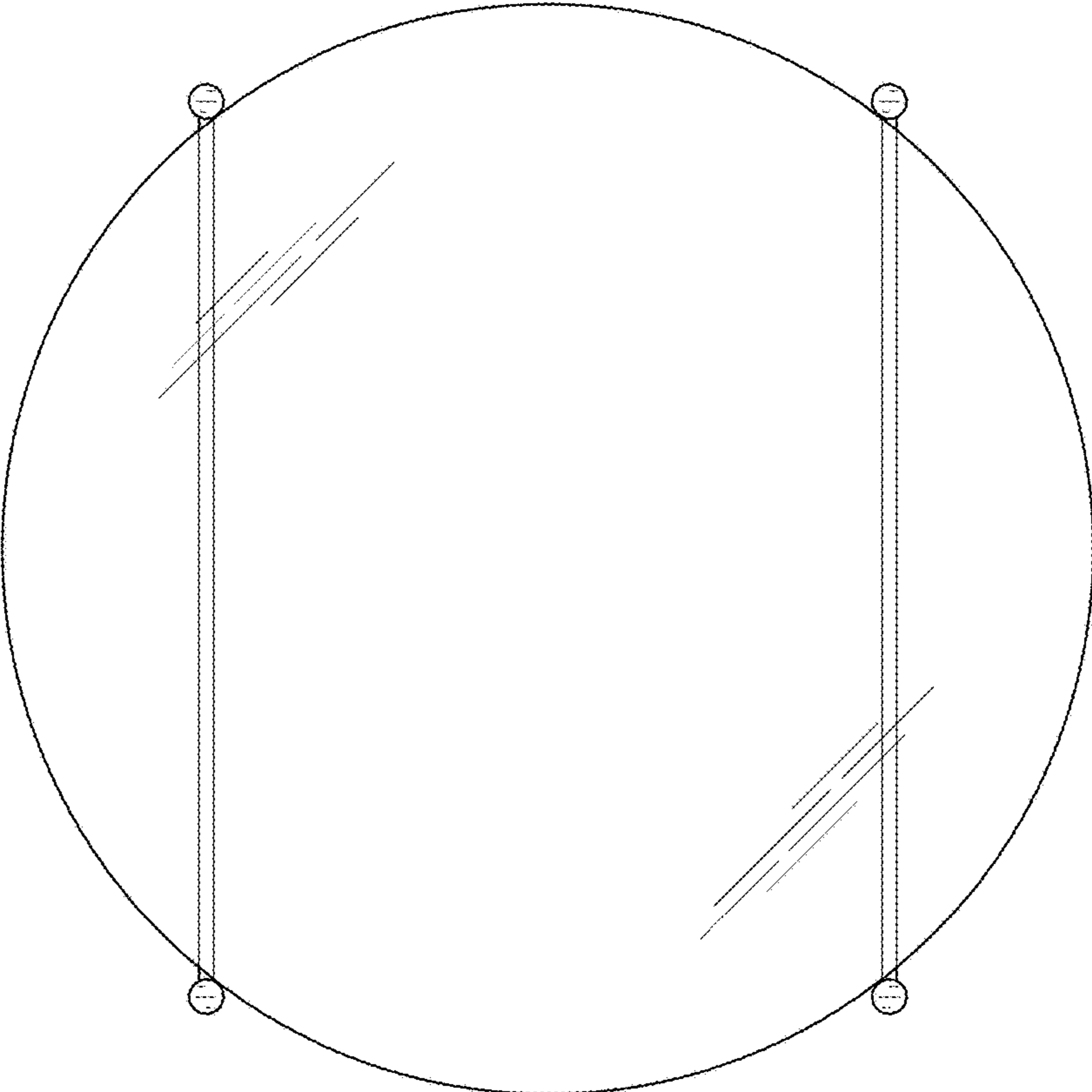


FIG. 4

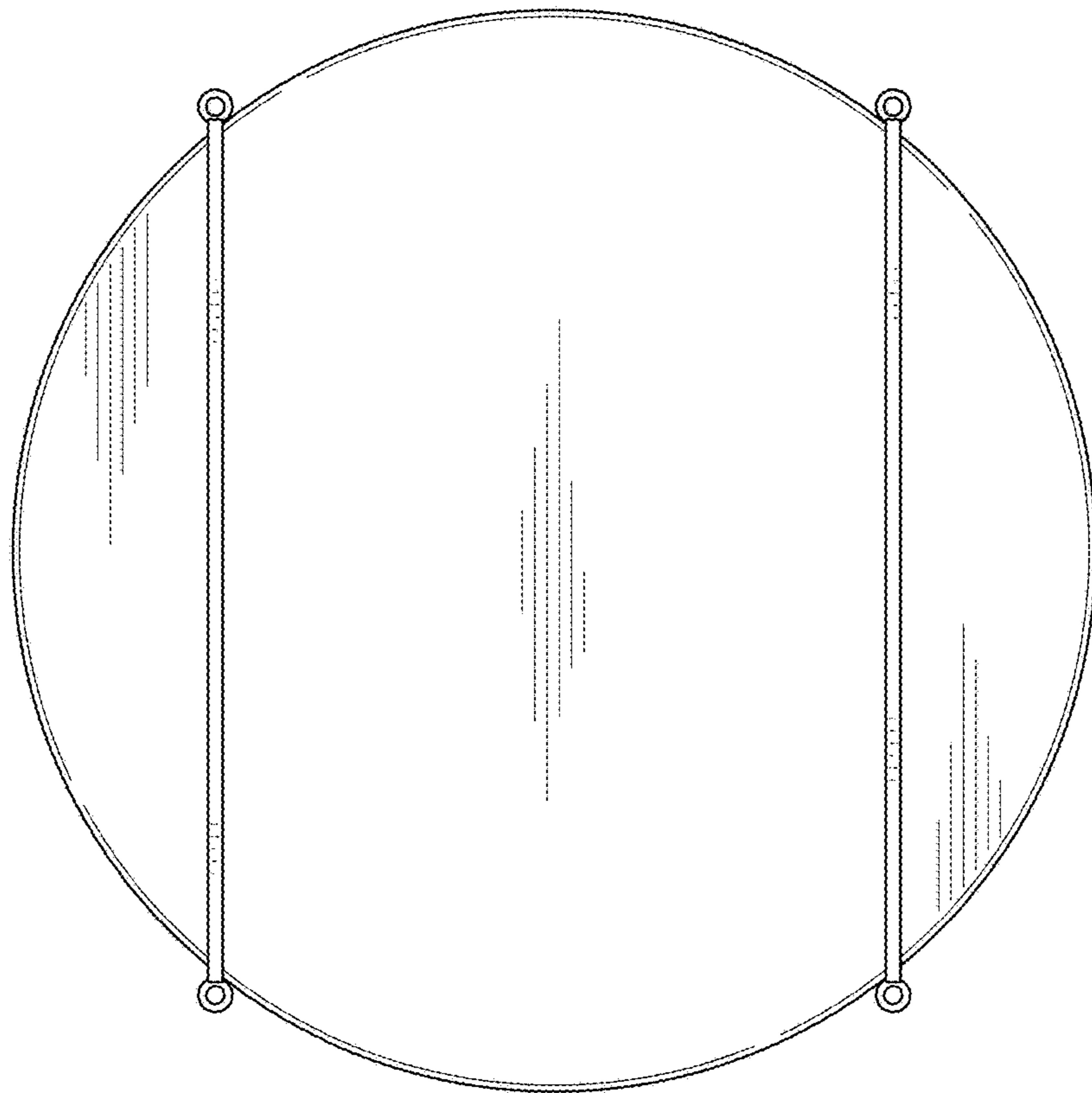


FIG. 5