



US00D850831S

(12) **United States Design Patent**  
**Bieschke**

(10) **Patent No.:** **US D850,831 S**

(45) **Date of Patent:** **\*\* Jun. 11, 2019**

- (54) **TABLE**
- (71) Applicant: **Williams-Sonoma, Inc.**, San Francisco, CA (US)
- (72) Inventor: **Karissa Bieschke**, San Francisco, CA (US)
- (73) Assignee: **Williams-Sonoma, Inc.**, San Francisco, CA (US)
- (\*\*) Term: **15 Years**

- (21) Appl. No.: **29/616,614**
- (22) Filed: **Sep. 7, 2017**
- (51) **LOC (11) Cl.** ..... **06-03**
- (52) **U.S. Cl.**  
USPC ..... **D6/691.7; D6/691.8; D6/687**
- (58) **Field of Classification Search**  
USPC ..... D6/641, 685-687, 691, 691.1-691.9  
CPC .... A47B 7/00; A47B 7/02; A47B 9/00; A47B 13/00; A47B 13/003; A47B 13/02; A47B 13/04; A47B 13/06; A47B 13/08; A47B 13/12; A47B 21/00; A47B 2200/0001; A47B 2200/0011  
See application file for complete search history.

(56) **References Cited**

**U.S. PATENT DOCUMENTS**

- D121,062 S \* 6/1940 Bach ..... D6/691.8
- D141,386 S \* 5/1945 Rosenfeld ..... 108/27

- D147,114 S \* 7/1947 Cutrow ..... 108/101
- 3,062,571 A \* 11/1962 Goldman ..... A47B 13/06 403/219
- D196,440 S \* 10/1963 Turner ..... D6/691.2
- D210,735 S \* 4/1968 Magistretti ..... 108/91
- 3,869,993 A \* 3/1975 Edlund ..... A47B 3/06 108/101
- D290,561 S \* 6/1987 Becker ..... D6/691.7
- 5,125,348 A \* 6/1992 Horwitz ..... A47B 7/00 108/180
- D591,535 S \* 5/2009 Karsson ..... D6/675.1
- D609,503 S \* 2/2010 Hayes ..... D6/675.1

\* cited by examiner

*Primary Examiner* — Mary Ann Calabrese

(74) *Attorney, Agent, or Firm* — Cook Alex Ltd; R. Blake Johnston

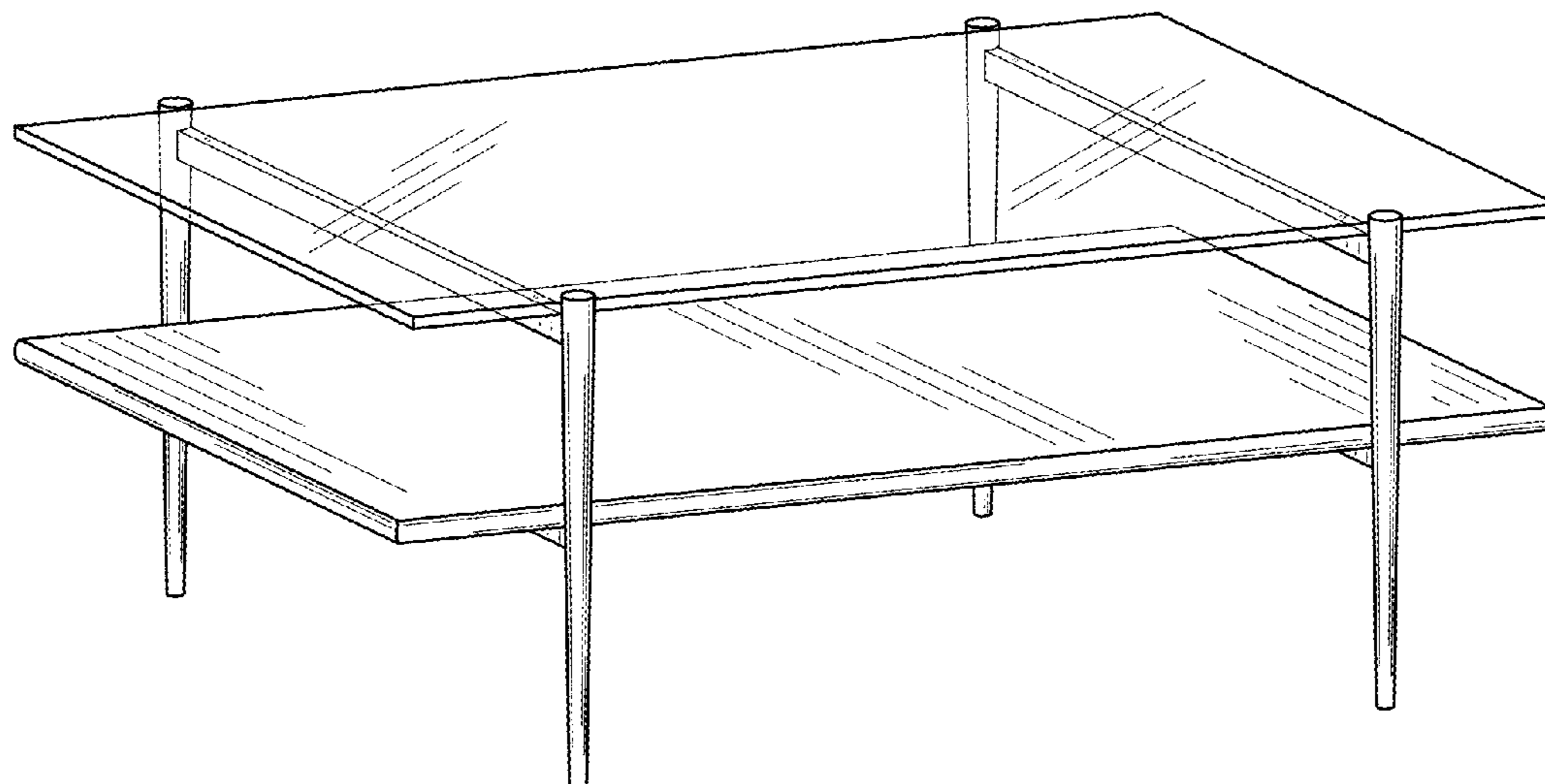
(57) **CLAIM**

The ornamental design for a table, as shown and described.

**DESCRIPTION**

FIG. 1 is a perspective view of the table;  
 FIG. 2 is a front elevational view of the table, the rear side of which is identical;  
 FIG. 3 is a right side elevational view of the table, the opposite side of which is identical;  
 FIG. 4 is a top plan view of the table; and  
 FIG. 5 is a bottom plan view of the table.  
 The broken line shown in the drawings is for illustrating portions of the table that form no part of the claimed design.

**1 Claim, 4 Drawing Sheets**



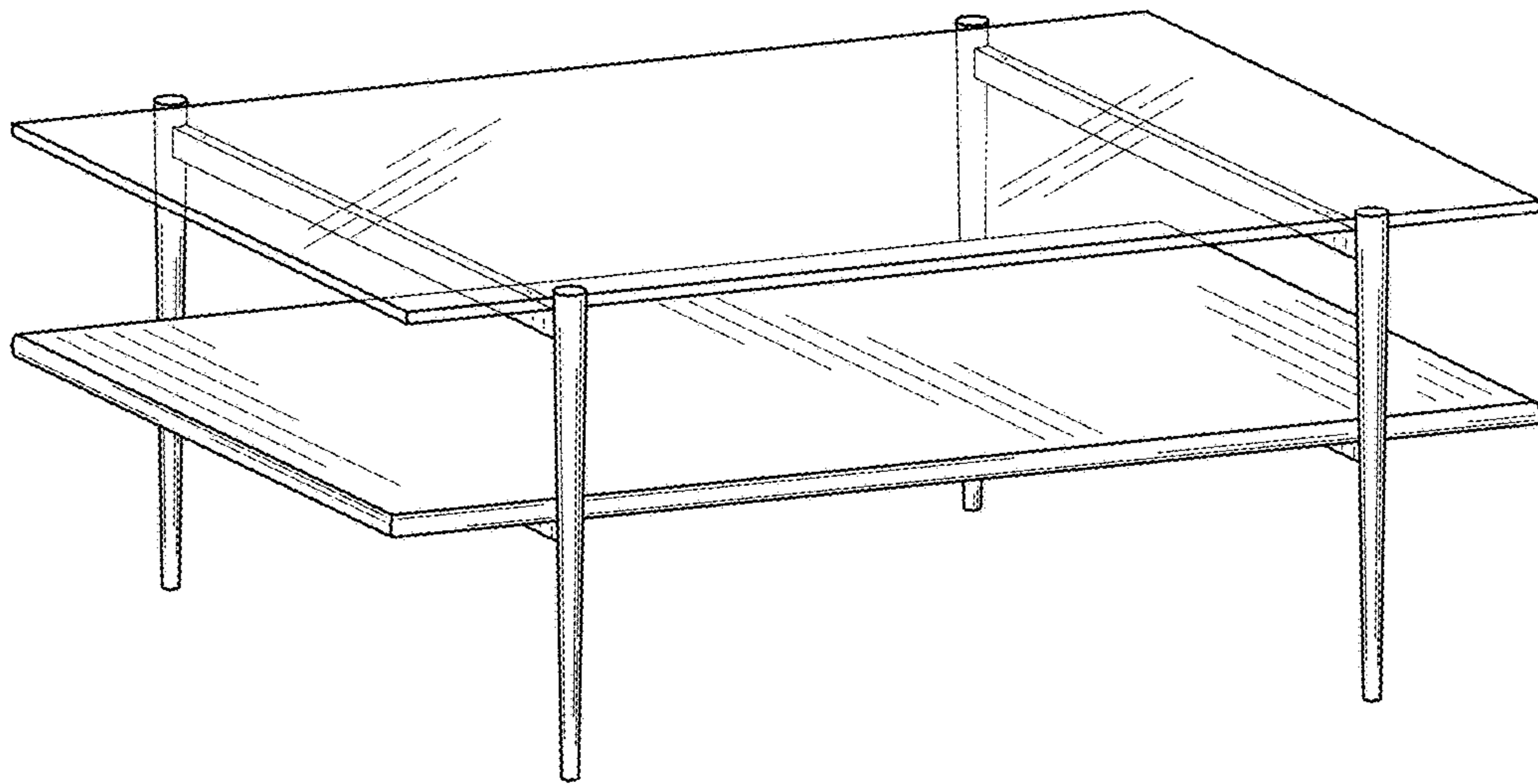


FIG. 1

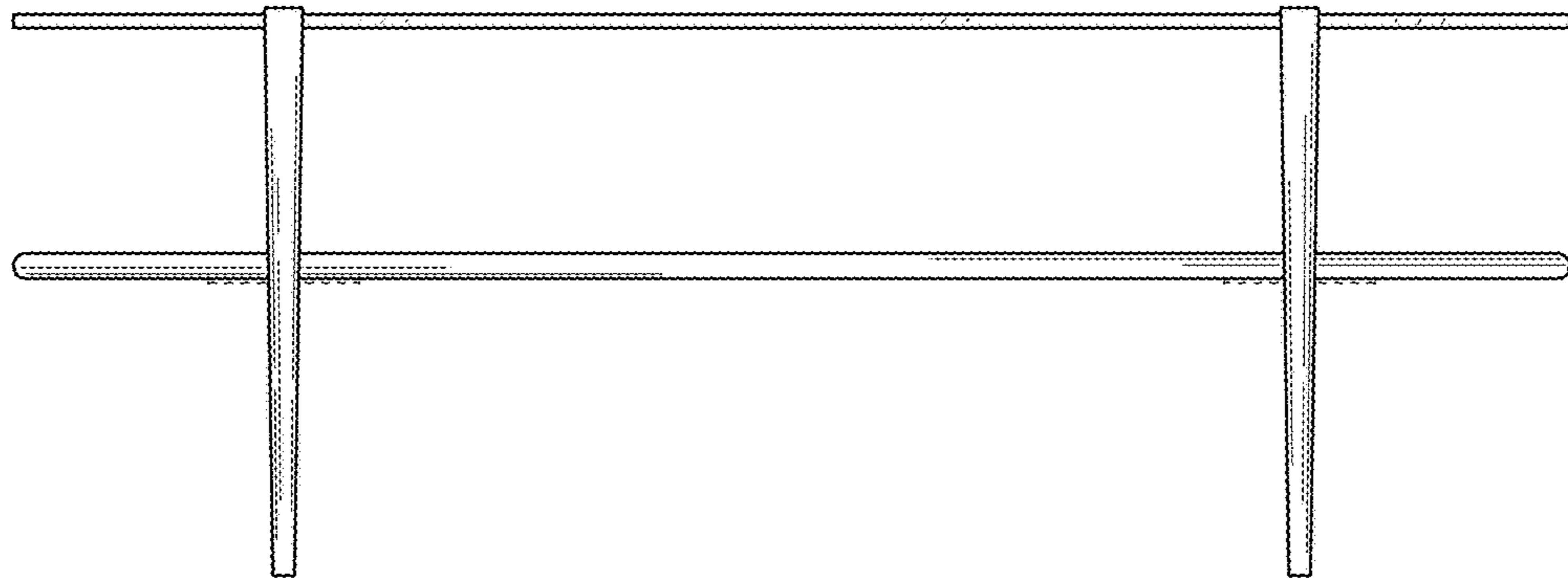


FIG. 2

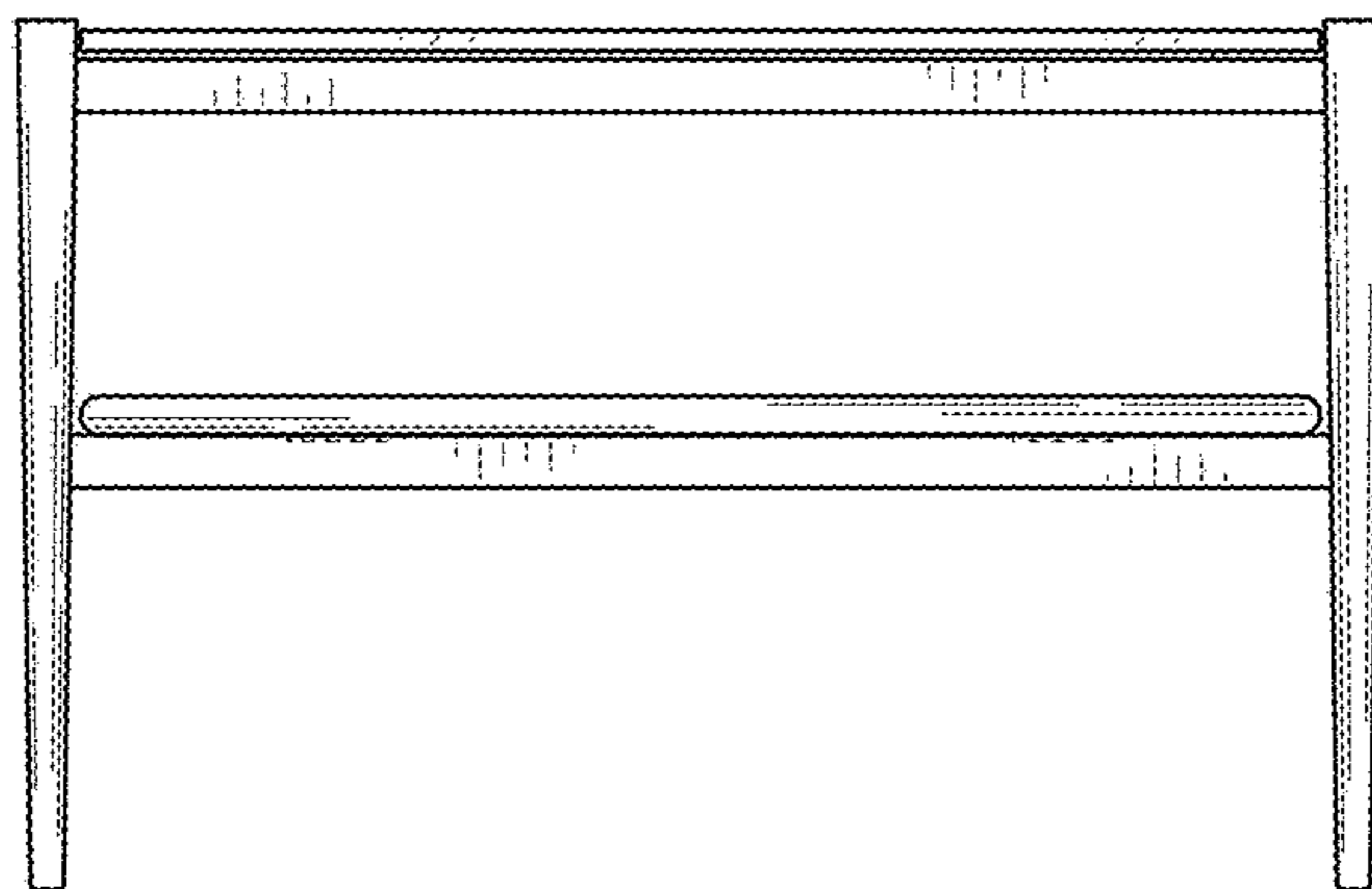


FIG. 3

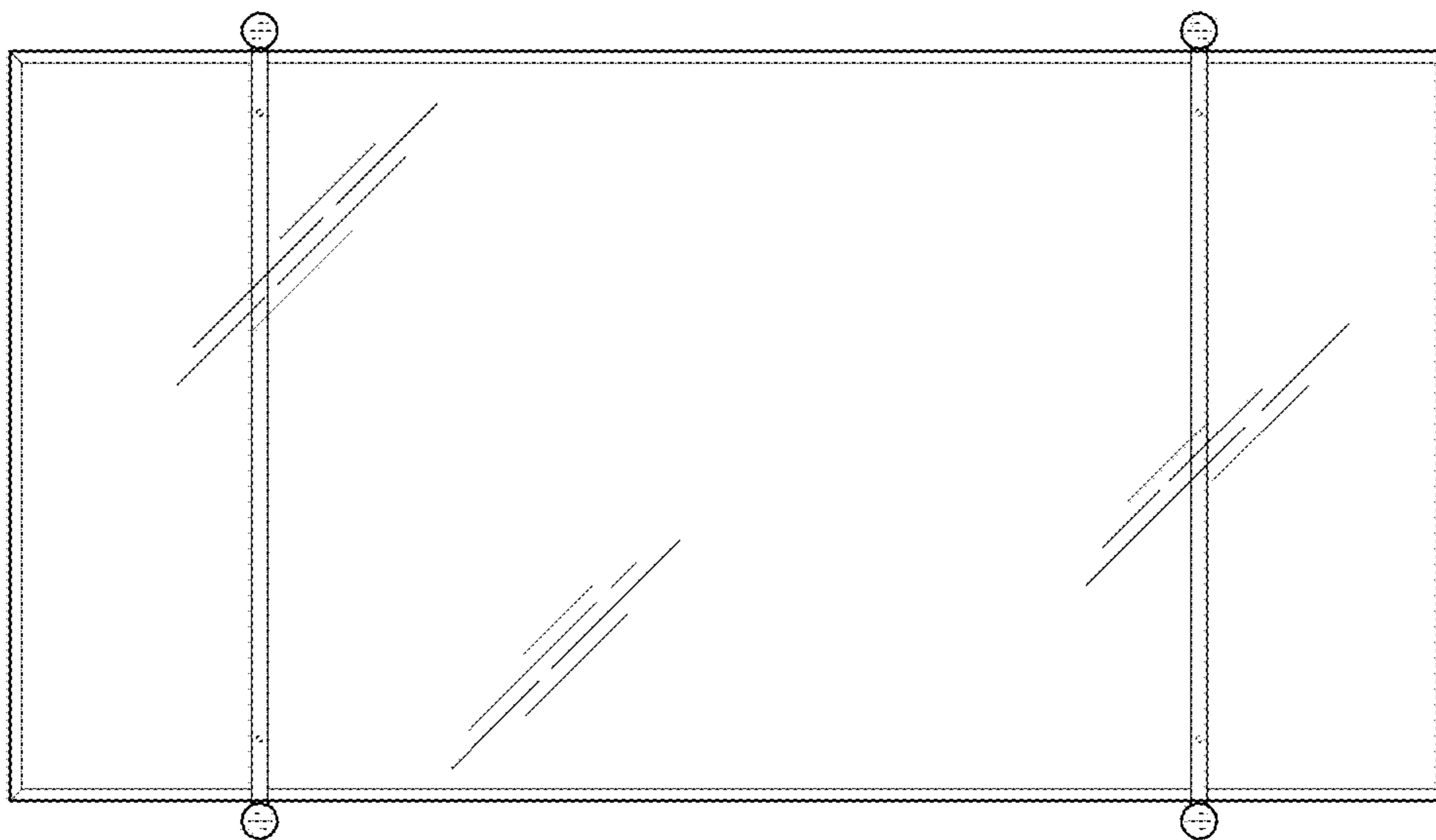


FIG. 4

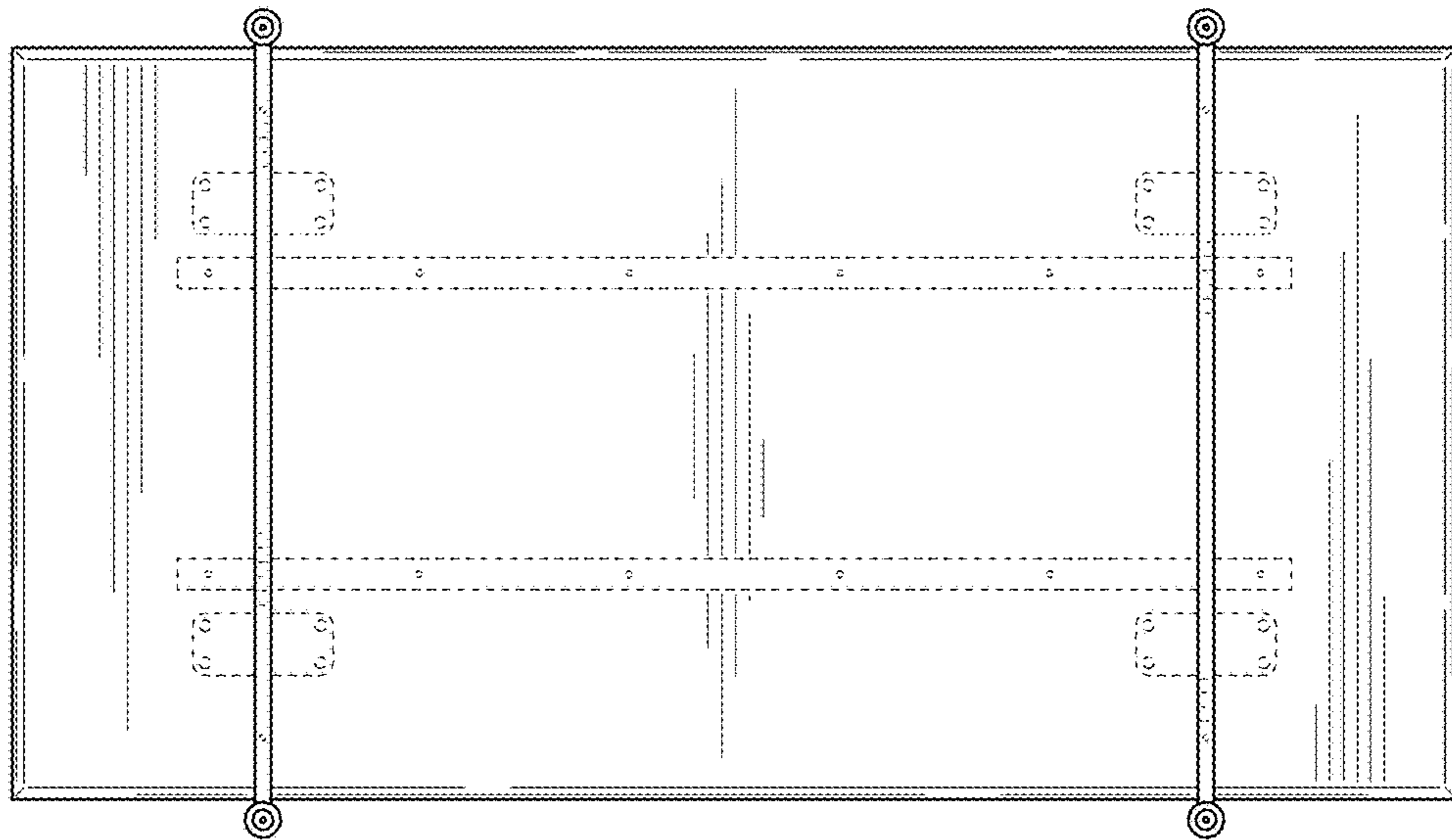


FIG. 5