



US00D850830S

(12) **United States Design Patent**
Etzinger

(10) **Patent No.:** **US D850,830 S**
(45) **Date of Patent:** **** Jun. 11, 2019**

- (54) **WORK BENCH FOR A TOOL CHEST**
- (71) Applicant: **Centrex Plastics, LLC**, Findlay, OH (US)
- (72) Inventor: **William Etzinger**, Fostoria, OH (US)
- (73) Assignee: **Centrex, LLC**, Findlay, OH (US)
- (**) Term: **15 Years**
- (21) Appl. No.: **29/603,338**
- (22) Filed: **May 9, 2017**
- (51) **LOC (11) Cl.** **06-03**
- (52) **U.S. Cl.**
USPC **D6/684**
- (58) **Field of Classification Search**
USPC D6/655, 656, 657, 672, 675, 675.2, D6/675.5, 681, 681.1, 681.2, 681.3, 684, D6/691
CPC A47B 3/002; A47B 3/087; A47B 3/0912; A47B 13/081; A47B 13/088; A47B 13/16; B25H 1/02; B25H 1/04; B25H 1/06; B25H 1/08; B25H 1/10; B25H 1/12; B25H 1/14
See application file for complete search history.

- 6,113,202 A * 9/2000 Germano B25H 1/12 206/373
- D535,491 S * 1/2007 Wise D6/684
- 7,350,549 B2 * 4/2008 Carter B25H 1/02 144/285
- 8,267,017 B1 * 9/2012 Michael A47B 5/04 108/134
- 8,584,601 B1 * 11/2013 Deschner B25H 1/04 108/134
- 8,826,829 B2 * 9/2014 Taylor A47C 9/06 108/34
- 9,179,766 B2 * 11/2015 Lai A47B 3/0818

* cited by examiner

Primary Examiner — John Windmuller
Assistant Examiner — Steven J Czyz
(74) *Attorney, Agent, or Firm* — Jacob M. Ward; Ward Law Office LLC

(57) **CLAIM**

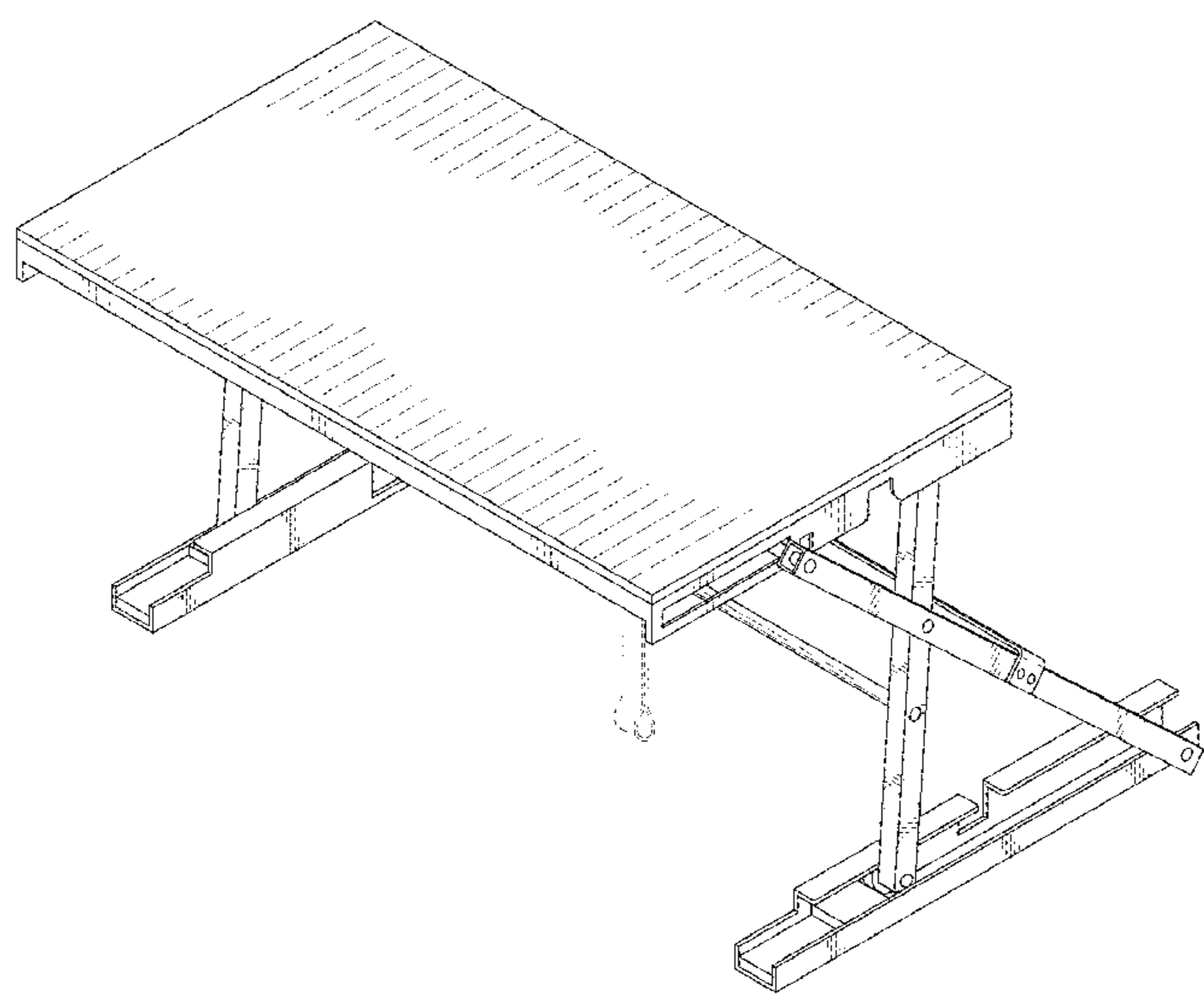
The ornamental design for a work bench for a tool chest, as shown and described.

DESCRIPTION

FIG. 1 is a top perspective view of a work bench for a tool chest;
FIG. 2 is a front elevational view of the work bench for a tool chest illustrated in FIG. 1;
FIG. 3 is a rear elevational view thereof;
FIG. 4 is a right side elevational view, with the left side being a mirror image thereof;
FIG. 5 is a top plan view thereof;
FIG. 6 is a bottom plan view thereof; and,
FIG. 7 is a top perspective view of the work bench for the tool chest shown in use.
The ornamental design which is claimed is shown in solid lines in the drawings.
The broken lines depict environment that forms no part of the claimed design.

1 Claim, 5 Drawing Sheets

- (56) **References Cited**
U.S. PATENT DOCUMENTS
- 2,791,251 A * 5/1957 Steele, Jr. B25H 1/12 144/285
- D289,351 S * 4/1987 Jenkins D6/664
- 4,659,154 A * 4/1987 Jenkins A01K 97/26 269/907
- 5,224,531 A * 7/1993 Blohm B25H 3/00 108/110
- D419,769 S * 2/2000 Germano D3/274
- 6,039,416 A * 3/2000 Lambert A47B 5/06 108/48



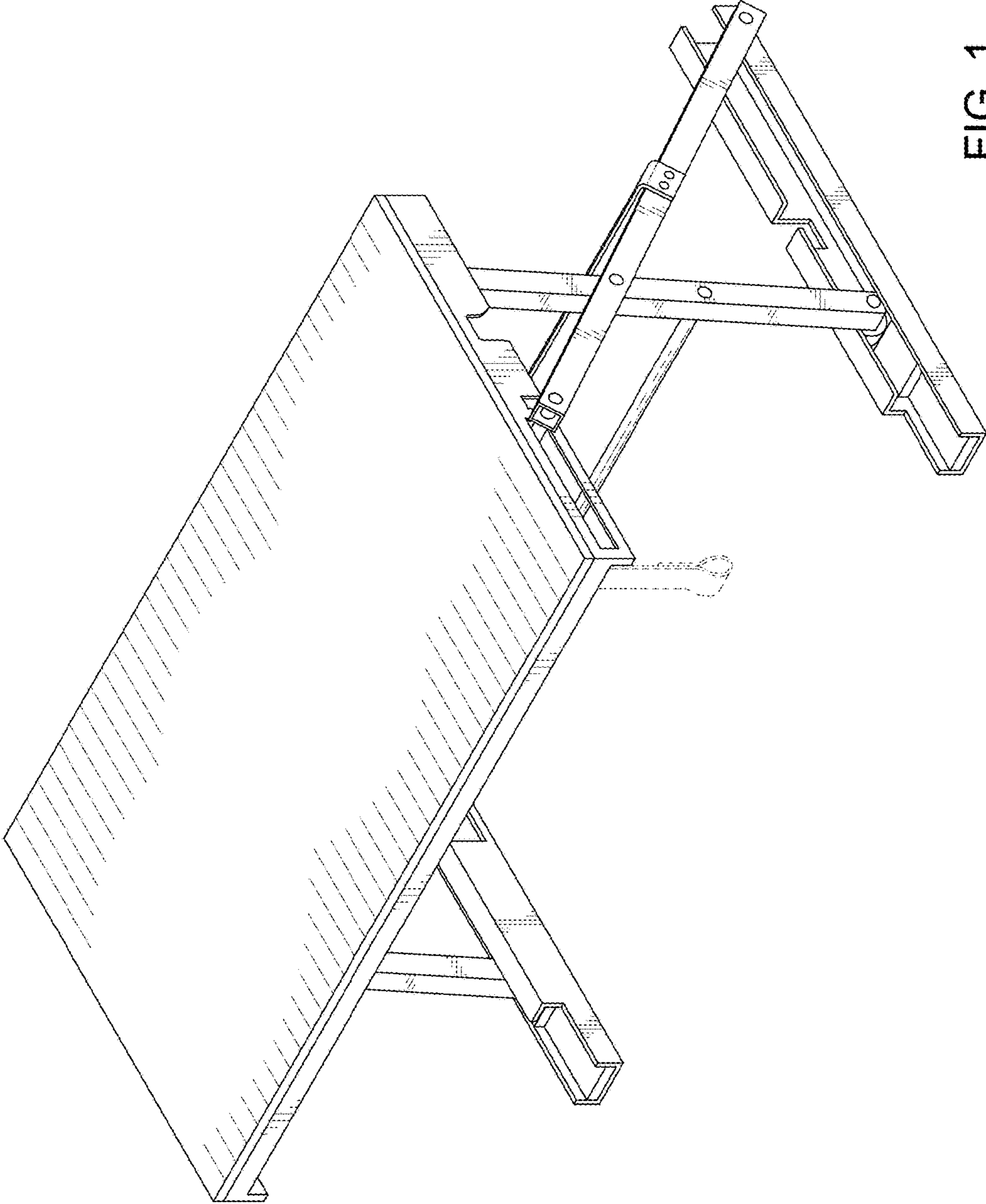


FIG. 1

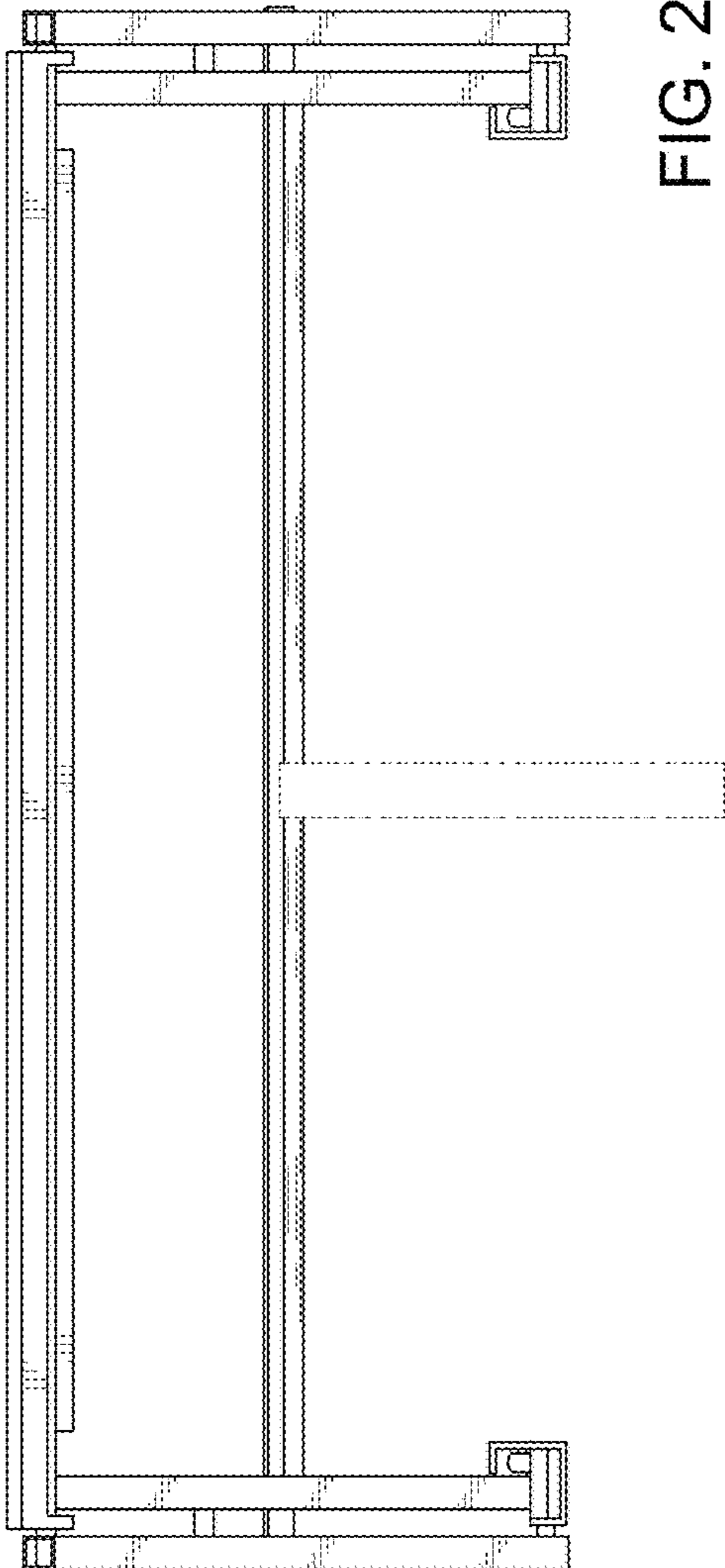


FIG. 2

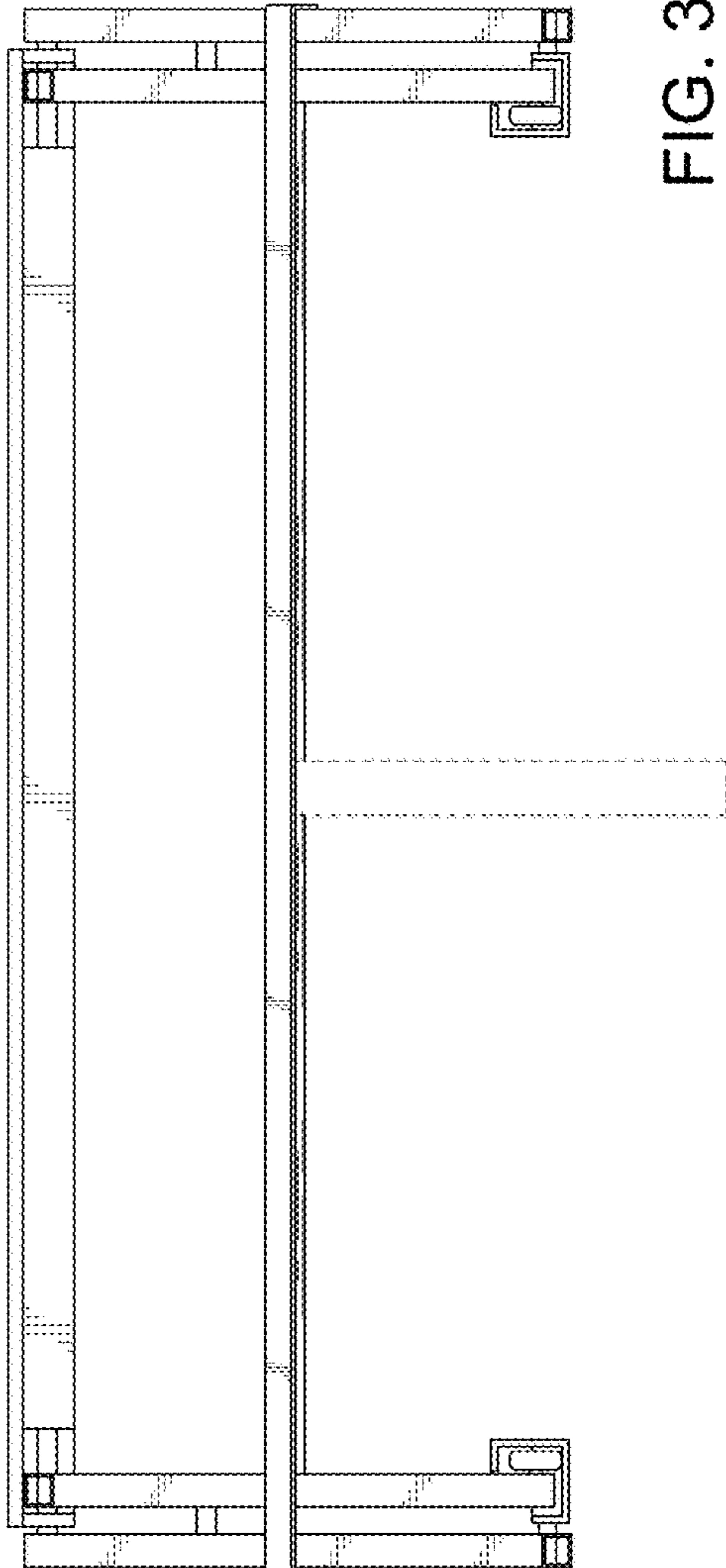


FIG. 3

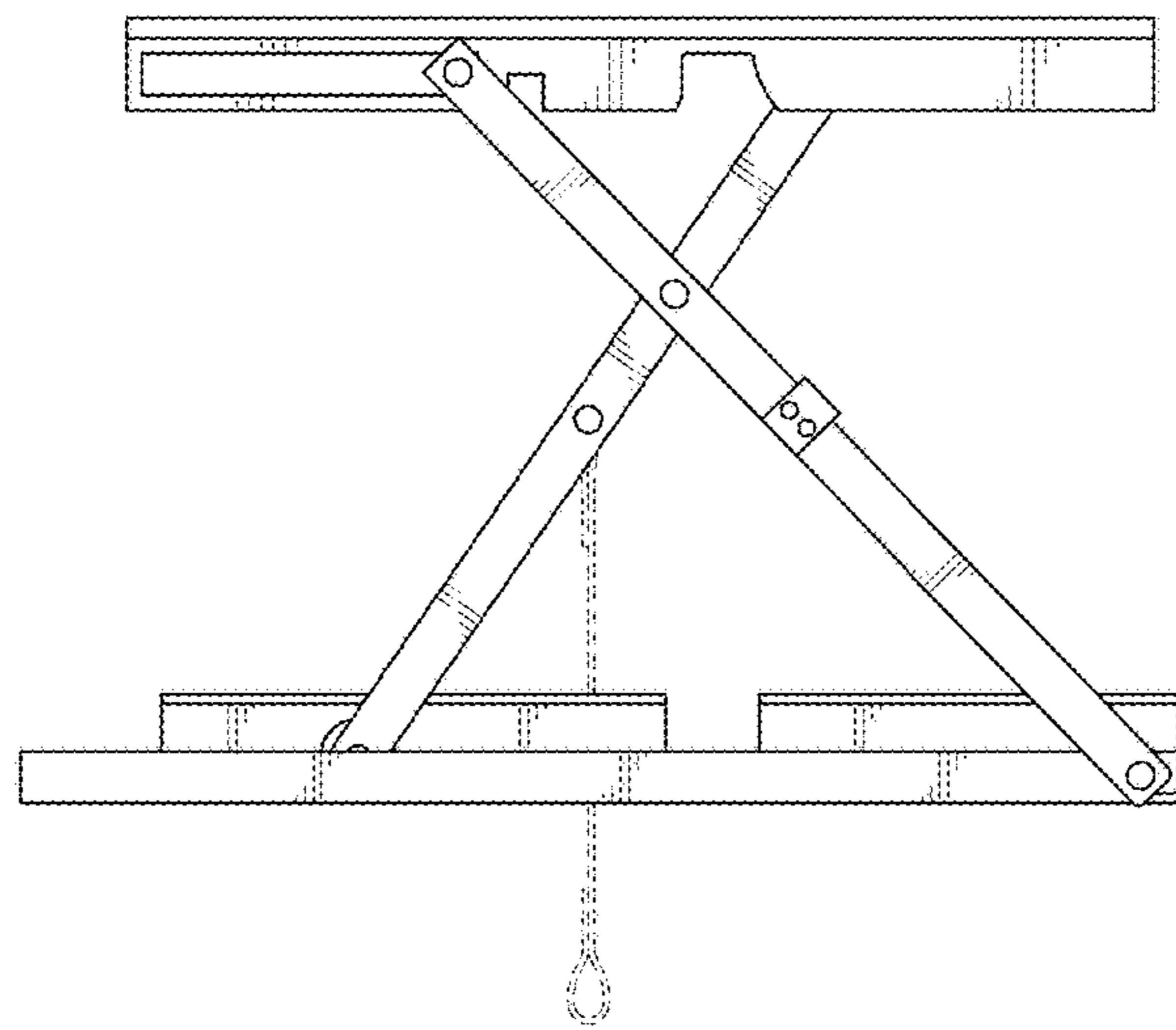


FIG. 4

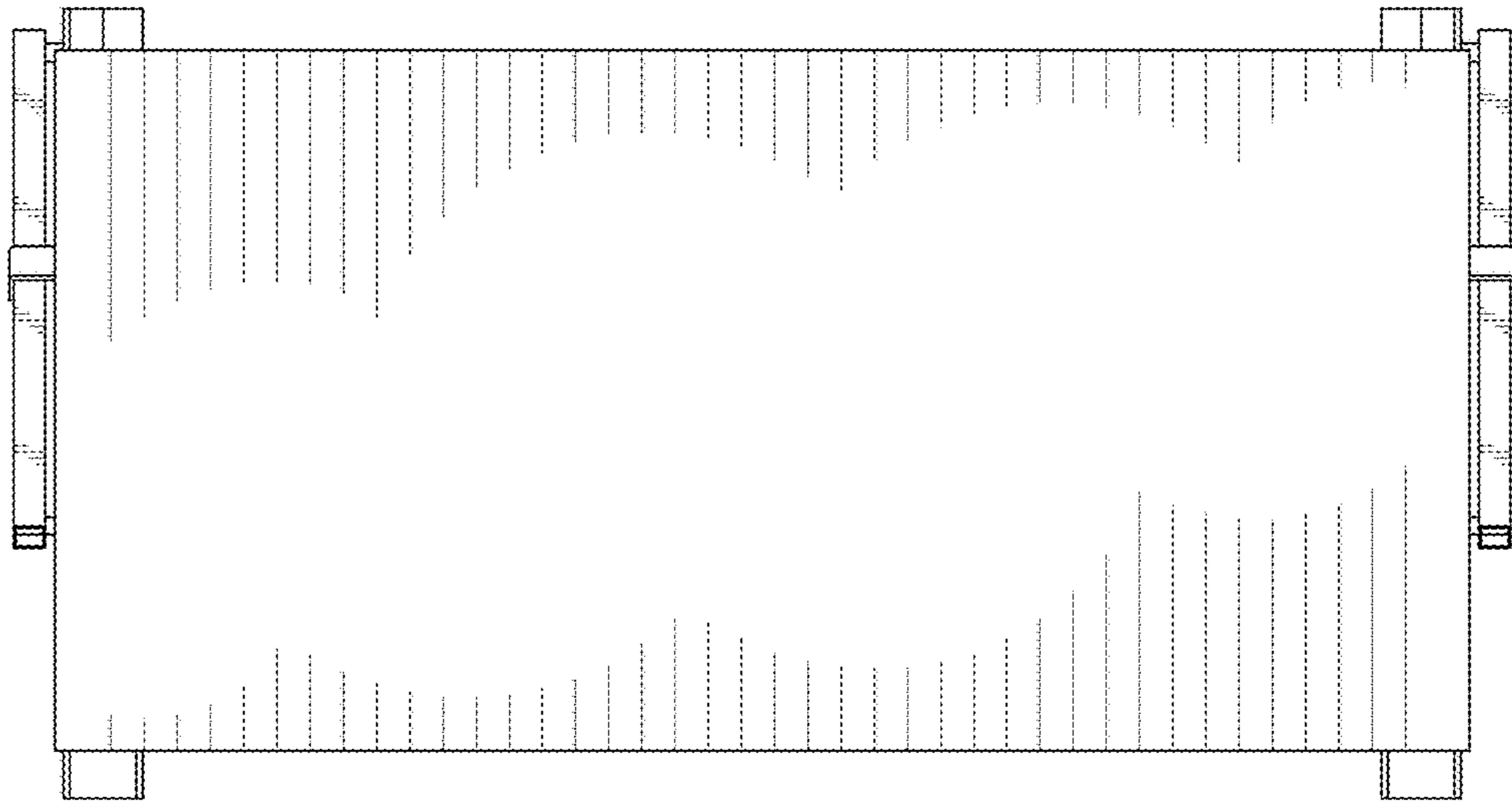


FIG. 5

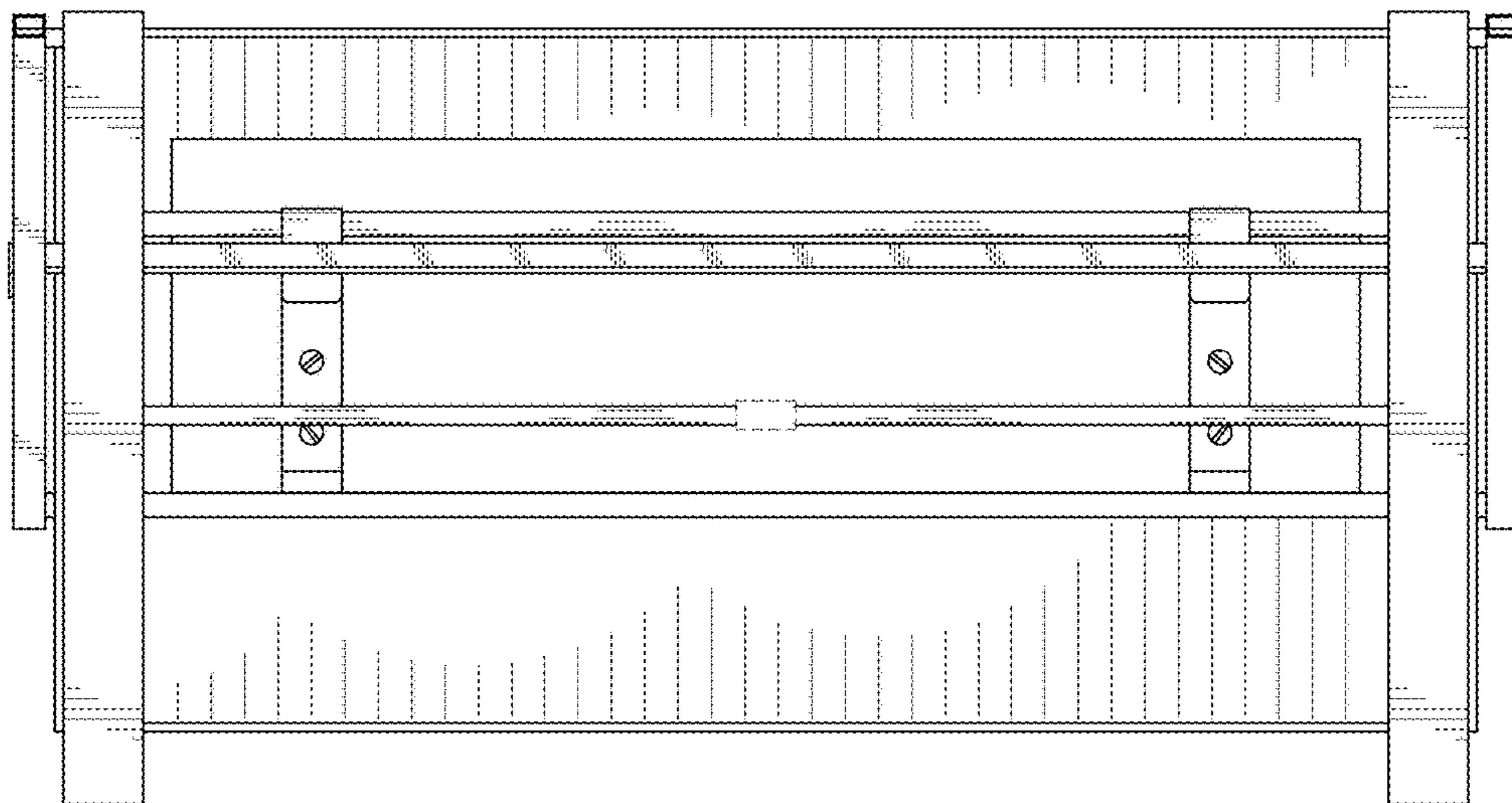


FIG. 6

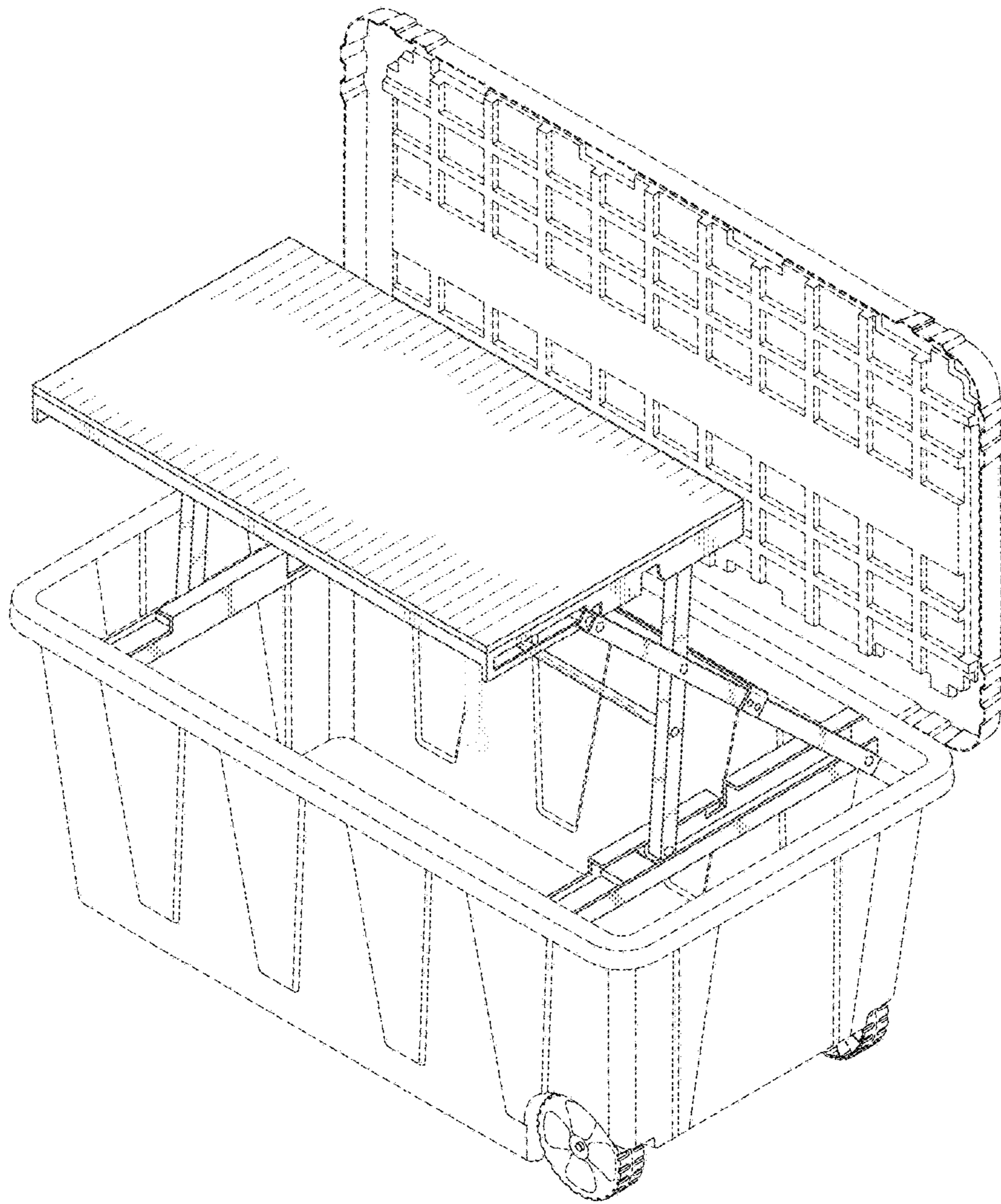


FIG. 7