



US00D850828S

(12) **United States Design Patent**  
**Tingvall**

(10) **Patent No.:** **US D850,828 S**

(45) **Date of Patent:** **\*\* Jun. 11, 2019**

(54) **AIR DRYING STAND**

(71) Applicant: **Nicole Tingvall**, Seattle, WA (US)

(72) Inventor: **Nicole Tingvall**, Seattle, WA (US)

(\*\*) Term: **15 Years**

(21) Appl. No.: **29/632,290**

(22) Filed: **Jan. 5, 2018**

(51) **LOC (11) Cl.** ..... **06-04**

(52) **U.S. Cl.**  
USPC ..... **D6/681.1**

(58) **Field of Classification Search**  
USPC ..... D6/672, 677.5, 680.3, 681, 681.1, 681.3,  
D6/682.5, 682.6, 521, 522; D32/58, 59  
CPC ..... A47J 47/16; A47L 15/50; A47L 23/20;  
D06F 59/00; D06F 57/00; D06F 60/00;  
D06F 53/00; D06F 53/04

See application file for complete search history.

(56) **References Cited**

U.S. PATENT DOCUMENTS

D244,419 S *	5/1977	Anderson	.....	D32/58
D292,534 S *	10/1987	Basaraba	.....	D32/58
D322,343 S *	12/1991	Pearcy	.....	D32/58
D361,914 S *	9/1995	Nagy	.....	D32/58
D390,054 S *	2/1998	Goodman	.....	D6/521
D465,352 S *	11/2002	Kim	.....	D6/681
D529,348 S *	10/2006	Goodman	.....	D7/704
D539,104 S *	3/2007	Goodman	.....	D6/682.6
D544,670 S *	6/2007	Sorvill	.....	D32/58
D576,825 S *	9/2008	Goodman	.....	D6/521
D710,635 S *	8/2014	Pryor	.....	D6/680.3
D713,663 S *	9/2014	Pryor	.....	D6/709.2
D734,910 S *	7/2015	Ouyang	.....	D32/58
D739,628 S *	9/2015	Ouyang	.....	D32/58
D741,563 S *	10/2015	Ouyang	.....	D32/58

D762,338 S *	7/2016	Ouyang	.....	D32/58
D771,969 S *	11/2016	Hsu	.....	D6/521
D787,226 S *	5/2017	Goodman	.....	D6/521
D793,760 S *	8/2017	Goodman	.....	D6/521
D794,977 S *	8/2017	Goodman	.....	D6/521
D811,114 S *	2/2018	Goodman	.....	D6/521
D811,115 S *	2/2018	Goodman	.....	D6/521
9,949,595 B1 *	4/2018	Greenwood	.....	A47J 47/16
D819,360 S *	6/2018	Goodman	.....	D6/521
D821,779 S *	7/2018	Goodman	.....	D6/521

\* cited by examiner

*Primary Examiner* — John Windmuller

*Assistant Examiner* — Steven J Czyz

(74) *Attorney, Agent, or Firm* — Seed Intellectual Property Law Group LLP

(57) **CLAIM**

The ornamental design for an air drying stand, as shown and described.

**DESCRIPTION**

FIG. 1 is a front isometric view of an air drying stand showing one embodiment of my new design.

FIG. 2 is a bottom isometric view thereof.

FIG. 3 is a top plan view thereof.

FIG. 4 is a bottom plan view thereof.

FIG. 5 is a front elevational view thereof.

FIG. 6 is a rear elevational view thereof.

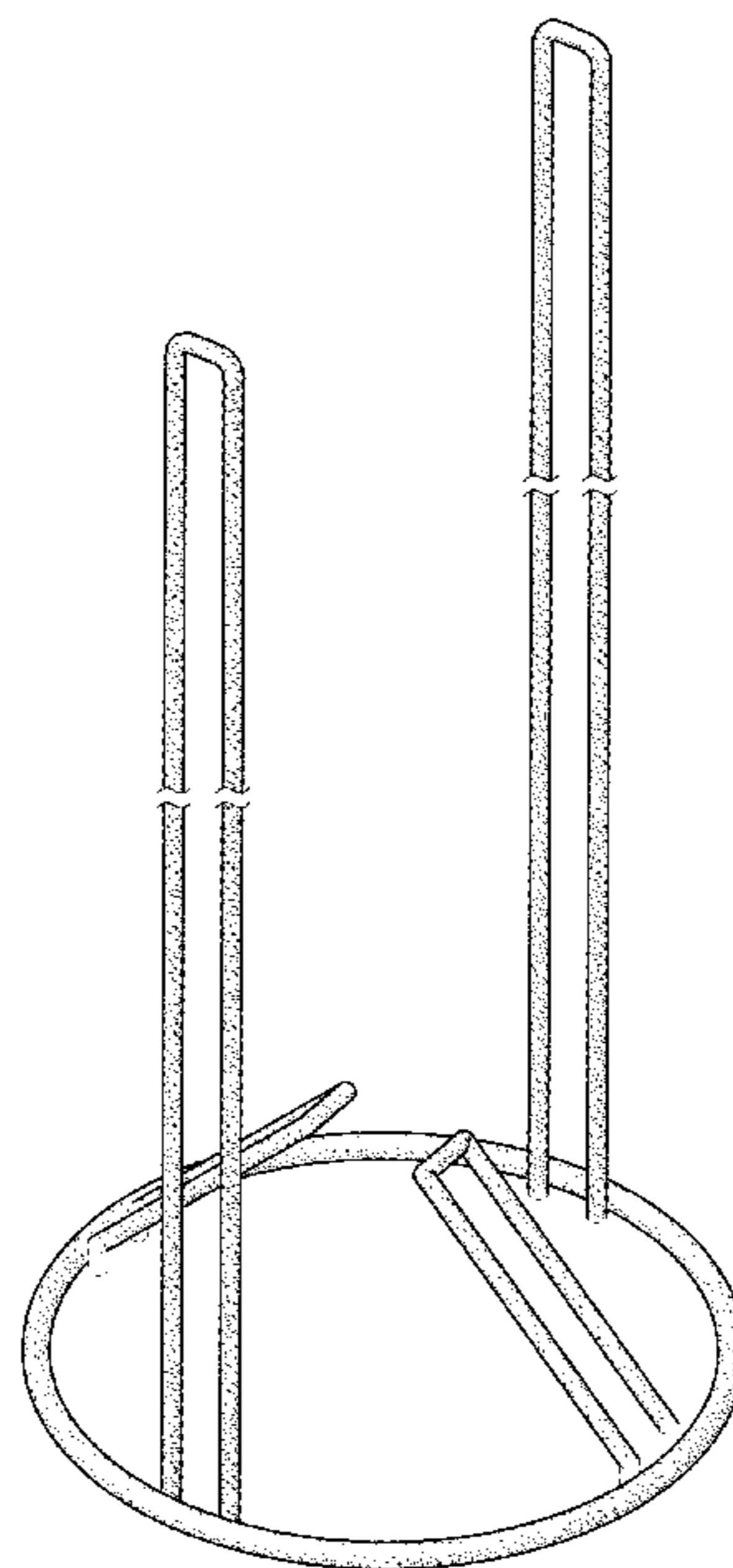
FIG. 7 is a left side elevational view thereof; and,

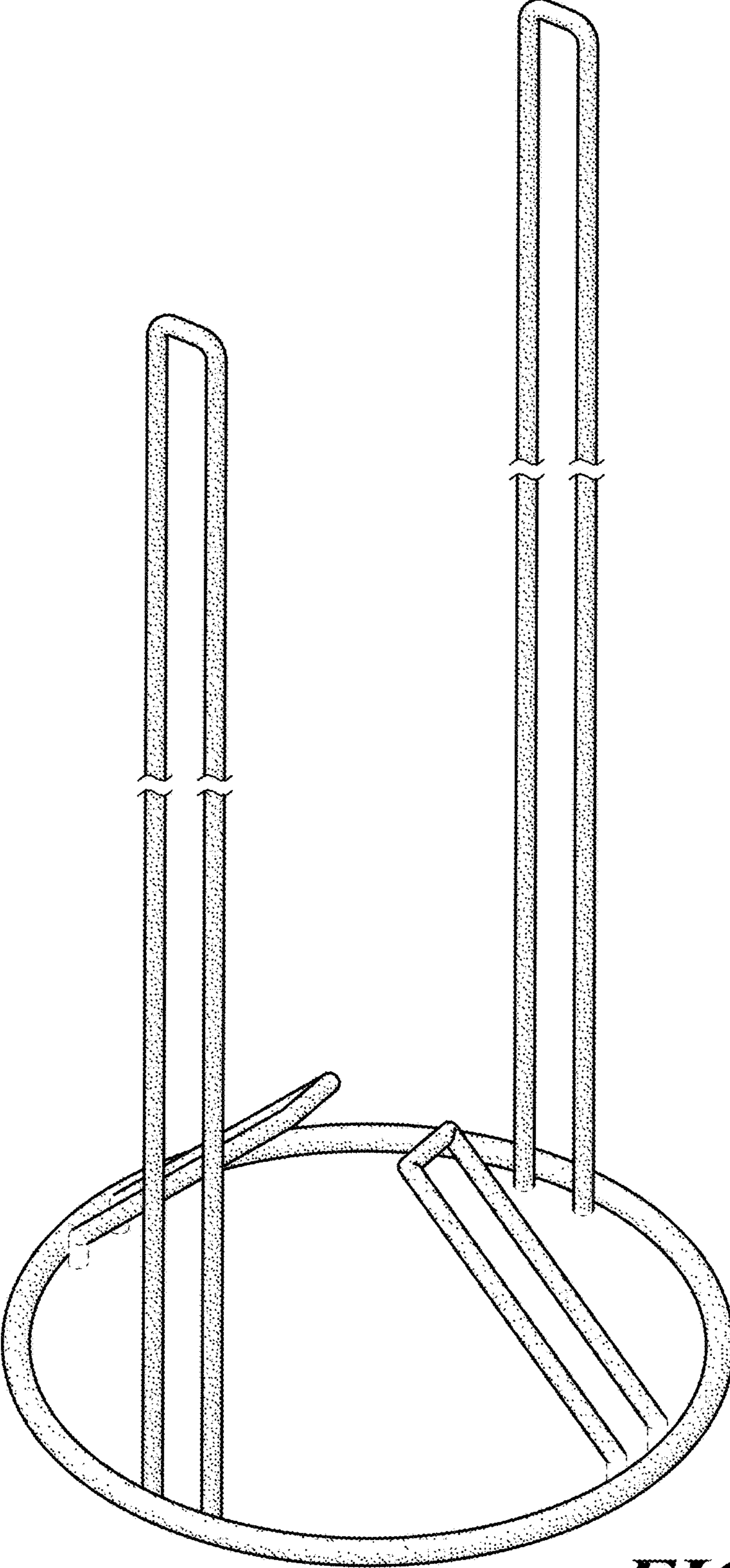
FIG. 8 is a right side elevational view thereof.

Portions of the air drying stand are shown broken away to indicate that they have no particular length beyond what is shown.

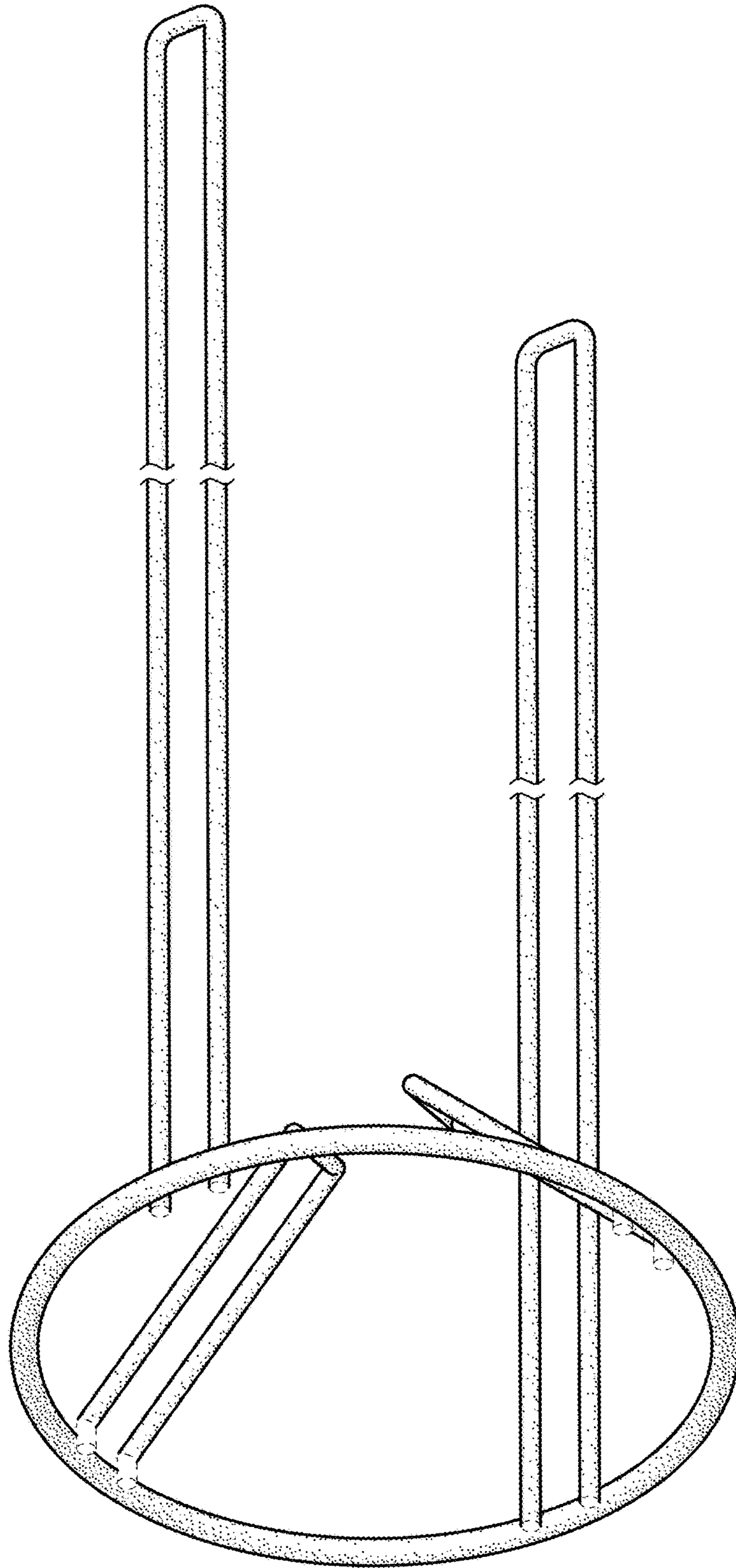
The broken lines depict portions of the article that form no part of the claimed design.

**1 Claim, 7 Drawing Sheets**

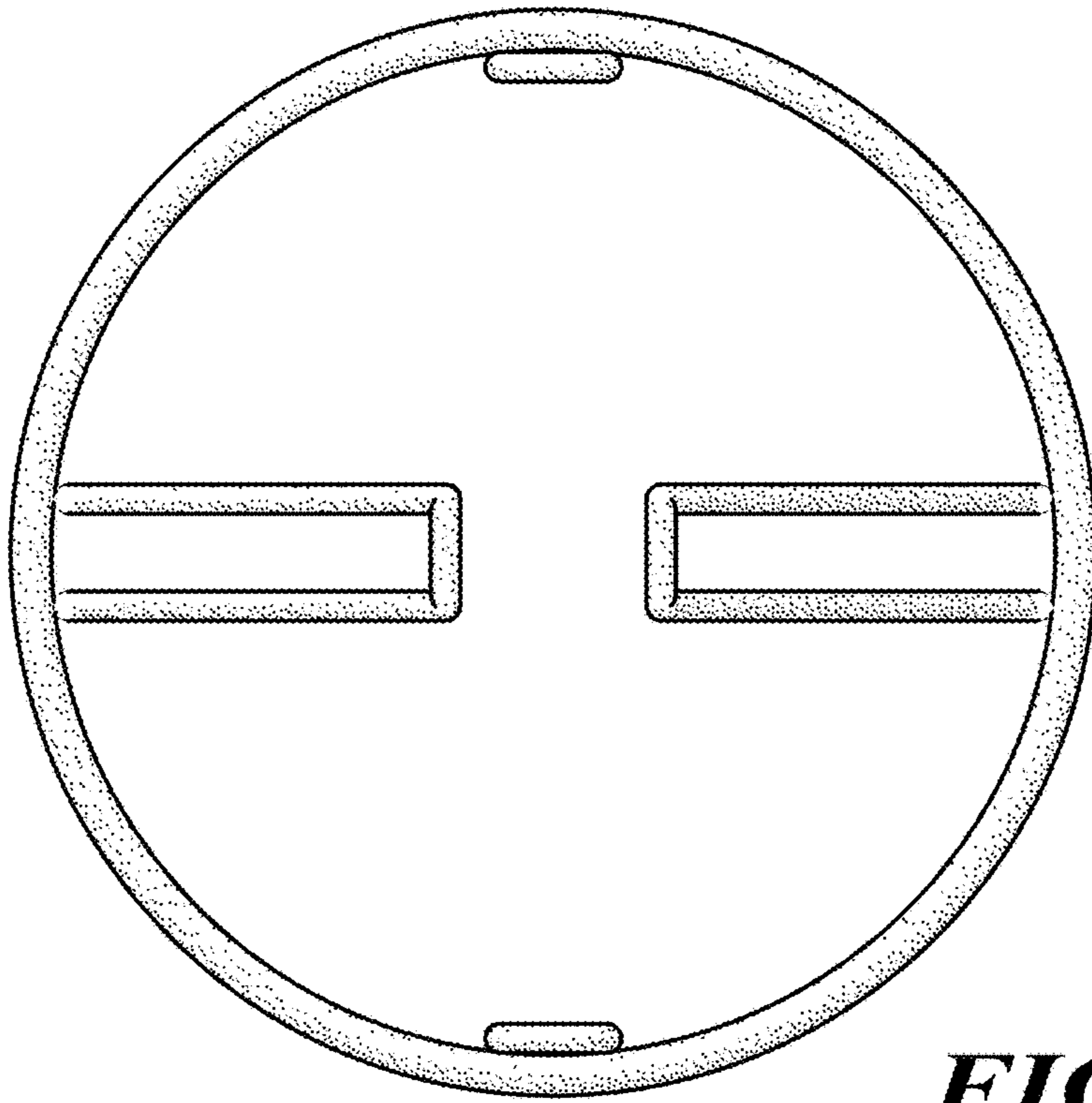




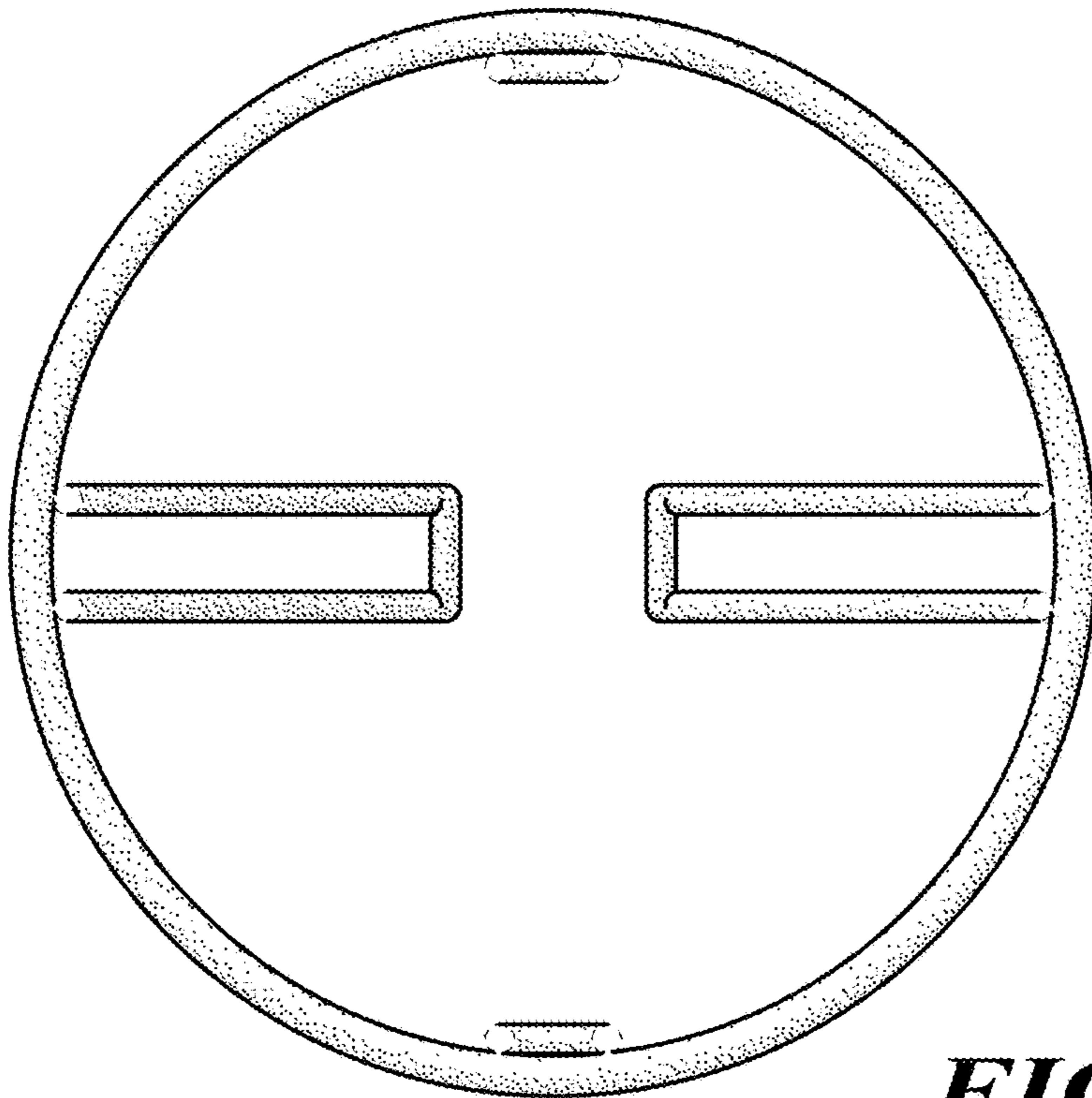
**FIG. 1**



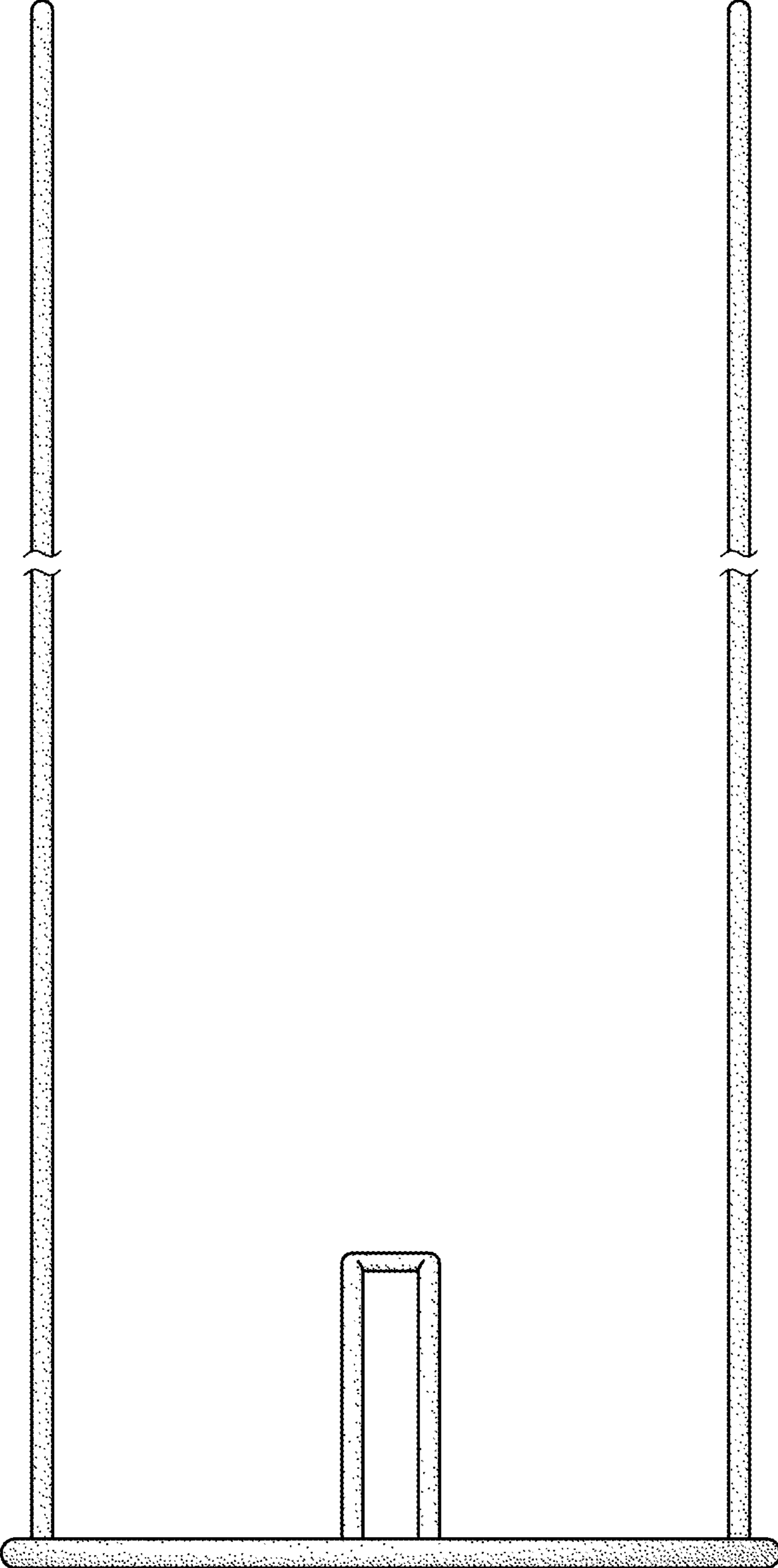
**FIG. 2**



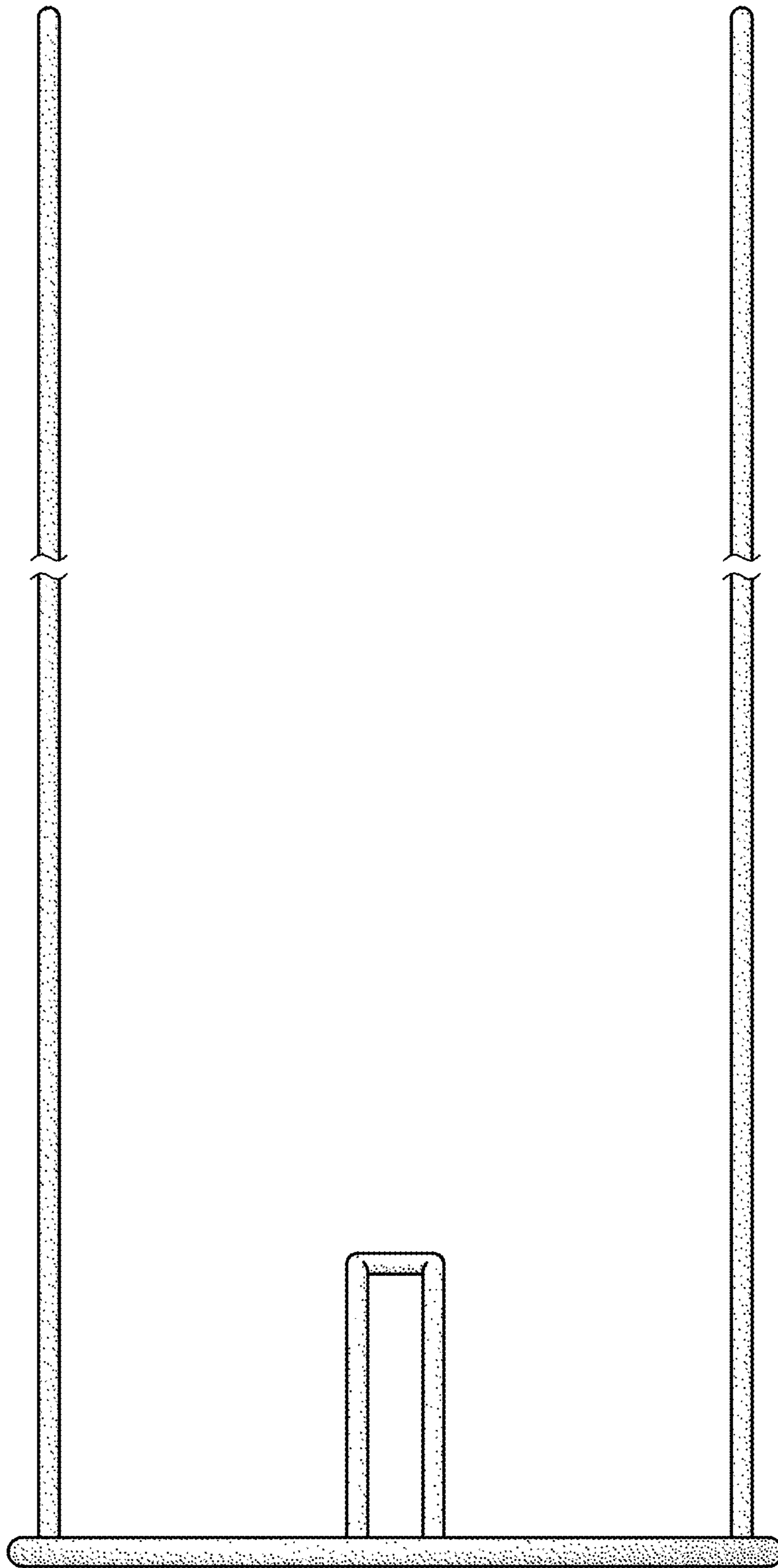
**FIG. 3**



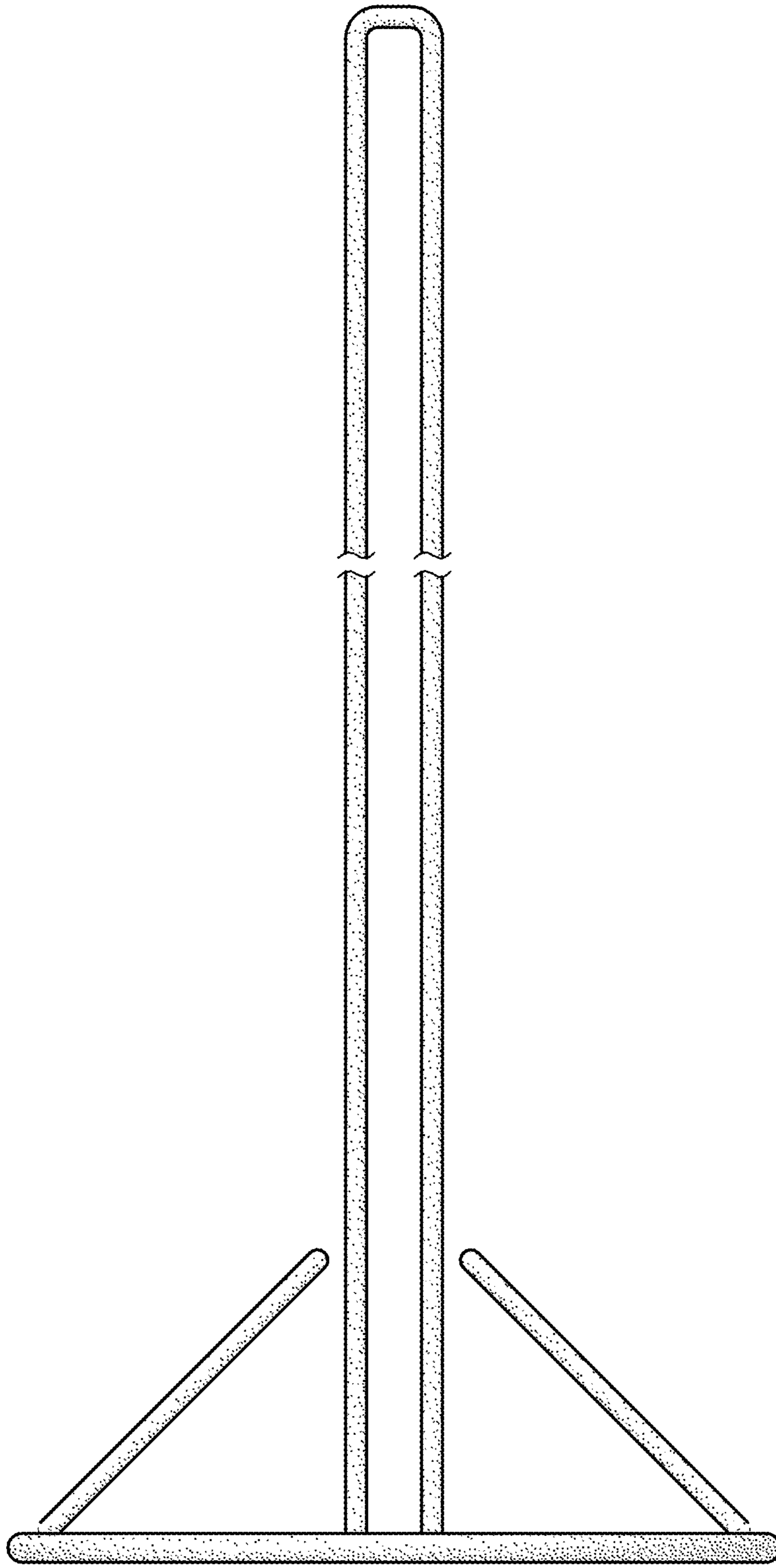
**FIG. 4**



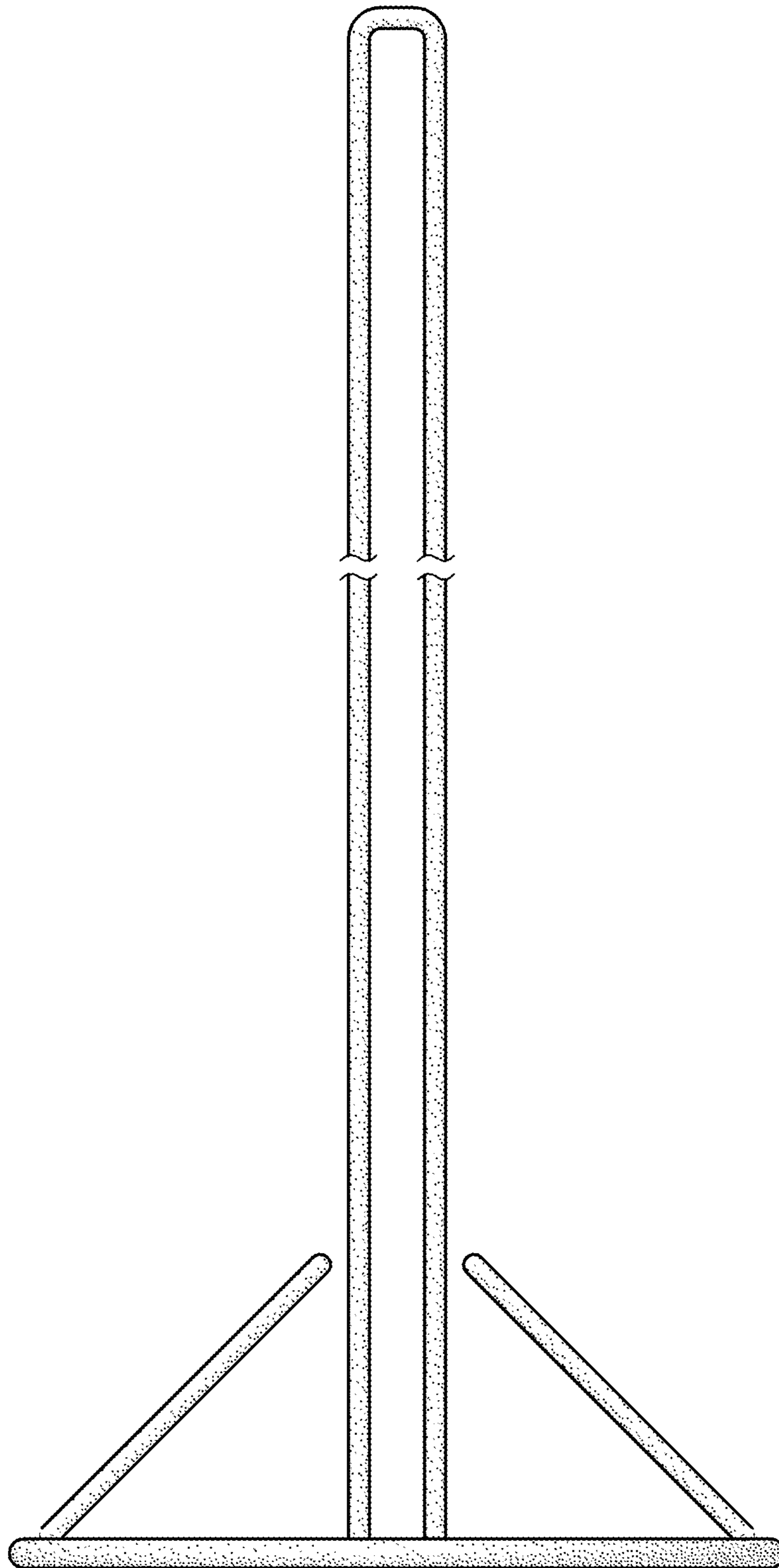
**FIG. 5**



**FIG. 6**



***FIG. 7***



***FIG. 8***