



US00D850827S

(12) **United States Design Patent**
Dixon

(10) **Patent No.:** **US D850,827 S**
(45) **Date of Patent:** **** Jun. 11, 2019**

(54) **RACK**
(71) Applicant: **Production Plus Corp.**, Ashville, OH
(US)
(72) Inventor: **Donovan Dixon**, South Bloomfield, OH
(US)
(73) Assignee: **PRODUCTION PLUS CORP.**,
Ashville, OH (US)
(**) Term: **15 Years**

2,533,464 A * 12/1950 Jasper C25D 17/08
204/297.07
2,557,231 A * 6/1951 Miller B05B 13/0285
118/503
2,652,359 A * 9/1953 Schneider C25D 17/08
204/297.1
2,858,265 A * 10/1958 Schneider C25D 17/08
204/297.09
2,858,266 A * 10/1958 Schneider C25D 17/08
204/297.09
3,029,952 A * 4/1962 Bagdon B65G 17/20
211/117
3,095,665 A * 7/1963 Killen A47B 97/08
248/449

(21) Appl. No.: **29/616,250**
(22) Filed: **Sep. 5, 2017**

(Continued)

Primary Examiner — John Windmuller
Assistant Examiner — Steven J Cxyz
(74) *Attorney, Agent, or Firm* — Standley Law Group
LLP; Melissa Rogers; Adam Smith

Related U.S. Application Data

(63) Continuation of application No. 14/930,996, filed on
Nov. 3, 2015, now Pat. No. 9,943,891.
(51) **LOC (11) Cl.** **06-04**
(52) **U.S. Cl.**
USPC **D6/681.1**
(58) **Field of Classification Search**
USPC D6/681, 681.1, 672, 675, 680, 680.1,
D6/680.2, 680.3, 681.2, 681.3, 682.5;
D32/58
CPC B08B 11/00; B08B 11/02; B08B 7/0071;
B44D 3/16
See application file for complete search history.

(57) **CLAIM**

The ornamental design for a rack, as shown and described
above.

DESCRIPTION

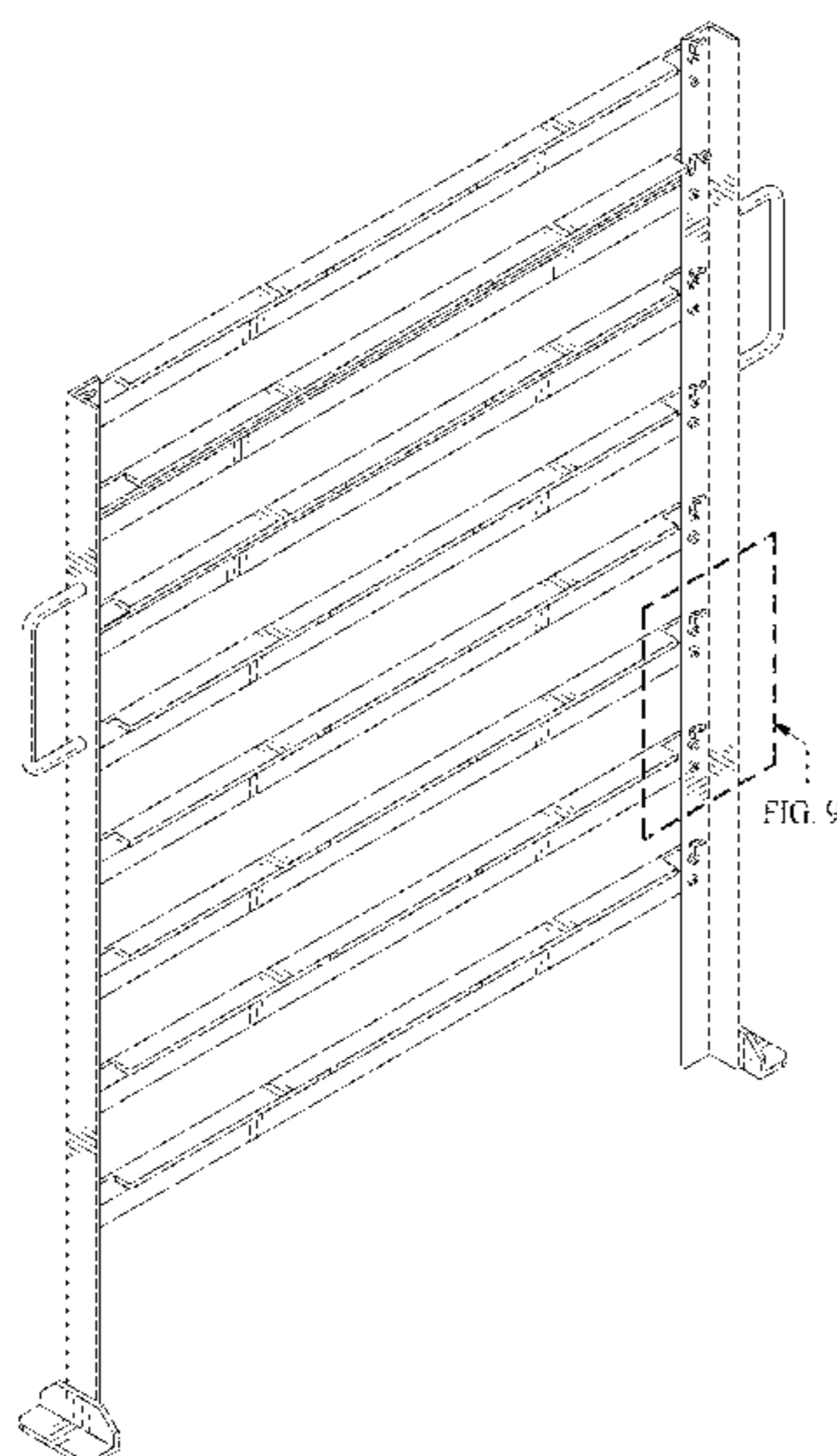
FIG. 1 is front perspective view of a rack of the present
invention;
FIG. 2 is a front elevation view thereof;
FIG. 3 is a rear elevation view thereof;
FIG. 4 is a right side view thereof;
FIG. 5 is a left side view thereof;
FIG. 6 is a top view thereof;
FIG. 7 is a bottom view thereof;
FIG. 8 is a front perspective view of the rack, shown with
environment; and,
FIG. 9 is an enlarged perspective view of a portion of the
rack, taken from FIG. 1.
The broken lines depict environment and portions of the
article that form no part of the claimed design.

(56) **References Cited**

U.S. PATENT DOCUMENTS

1,184,246 A * 5/1916 Klein et al. A47B 23/042
211/50
1,590,698 A * 6/1926 Ray C14B 1/58
211/41.1
2,505,212 A * 4/1950 Schneider C25D 17/08
204/297.09
2,514,923 A * 7/1950 Batina C25D 17/08
204/222

1 Claim, 7 Drawing Sheets



(56)

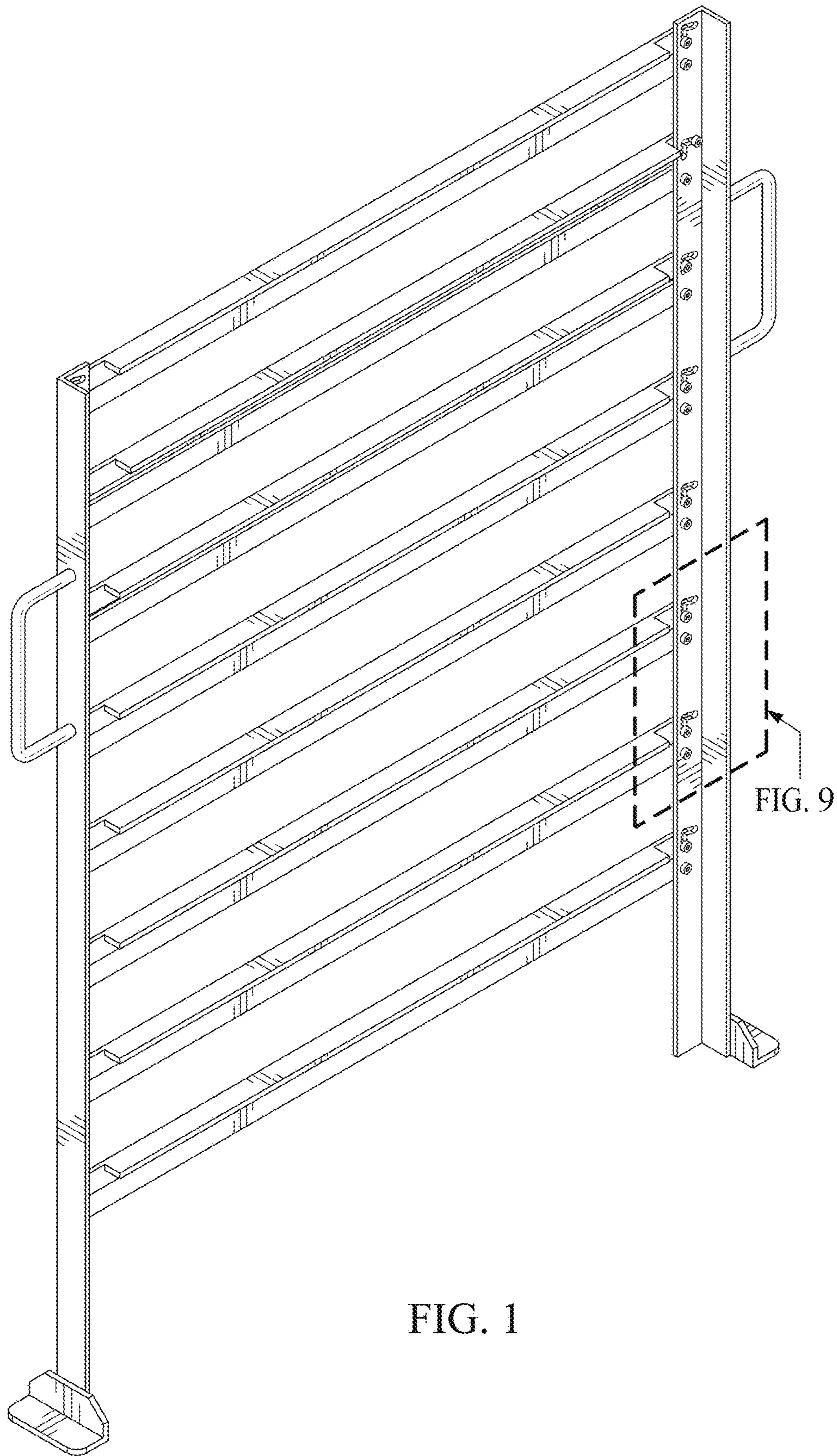
References Cited

U.S. PATENT DOCUMENTS

3,118,545 A * 1/1964 Rosner C25D 17/08
204/297.09
3,484,361 A * 12/1969 Sperry C25D 17/08
204/297.06
3,715,097 A * 2/1973 Kalajian A47B 97/04
248/449
3,799,488 A * 3/1974 Sena A47B 97/08
248/126
3,901,788 A * 8/1975 Schaer C25D 7/04
204/222
D238,029 S * 12/1975 Howard et al. D6/682
4,037,727 A * 7/1977 Kunkle A47F 5/10
204/297.07
4,097,359 A * 6/1978 Davitz B05B 5/082
118/500
4,129,217 A * 12/1978 Campbell B05B 16/40
211/95
4,134,614 A 1/1979 Fielding, Sr.
4,217,853 A * 8/1980 Davitz B05B 5/082
118/500
4,243,146 A * 1/1981 Davitz B05C 13/00
118/500
4,558,522 A 12/1985 Lance
4,628,859 A * 12/1986 Hines B05B 5/082
118/500
4,872,963 A * 10/1989 Van Horn C25D 13/22
204/297.09
4,880,194 A * 11/1989 Geise B05B 13/0285
248/166
5,020,677 A * 6/1991 Wirth A47F 5/08
118/500
5,296,030 A * 3/1994 Young B05B 13/0285
118/500
5,524,774 A * 6/1996 Cullen B05B 5/082
118/500
5,531,334 A * 7/1996 Forby B05B 13/02
118/500
5,607,069 A * 3/1997 Stroobants B05B 5/082
118/500
D409,858 S * 5/1999 Reed D6/682.2
5,906,282 A * 5/1999 Aldrich B65G 49/062
206/454

5,924,577 A * 7/1999 Gessert A47B 81/00
211/162
D418,693 S * 1/2000 Kopala, Jr. D6/672
D419,335 S * 1/2000 Kopala, Jr. D6/672
D424,320 S * 5/2000 Klein D6/681.1
6,189,709 B1 * 2/2001 Cullen B05B 5/082
211/118
6,530,489 B1 * 3/2003 Van Horn B05B 13/0264
211/113
6,550,623 B2 * 4/2003 Cook B62D 65/18
206/448
6,571,968 B1 * 6/2003 Cullen B05B 5/082
118/500
6,588,605 B1 * 7/2003 Volkert B65D 88/005
206/449
D486,008 S * 2/2004 Pospisil D6/681.1
6,702,130 B1 * 3/2004 Carlilse B05B 13/0285
118/500
7,021,476 B2 * 4/2006 Lloyd C25D 17/06
118/500
D591,085 S * 4/2009 Burns D6/681.1
7,878,338 B2 * 2/2011 Maxson E04G 5/004
211/41.15
8,066,267 B2 * 11/2011 Schaerer F26B 25/18
248/130
8,215,502 B1 * 7/2012 Beavers B05B 5/082
211/119
8,956,514 B2 * 2/2015 Hocevar C25D 17/08
204/297.06
D735,412 S * 7/2015 Coleman D28/54
D737,077 S * 8/2015 Cockayne D12/95
D745,794 S * 12/2015 Knoll D6/681
D785,381 S * 5/2017 Johnson D6/681
D785,383 S * 5/2017 Johnson D6/681.2
9,943,891 B2 * 4/2018 Dixon B44D 3/16
D833,781 S * 11/2018 Hartman D6/675
10,137,726 B2 * 11/2018 Murrow B44D 3/185
2003/0141267 A1 7/2003 Lloyd et al.
2003/0209504 A1 11/2003 Cook et al.
2004/0206713 A1 10/2004 Lloyd et al.
2004/0238465 A1 12/2004 Mercure
2006/0196838 A1 9/2006 Mercure et al.
2012/0273439 A1 11/2012 Beavers et al.
2017/0120313 A1 5/2017 Dixon

* cited by examiner



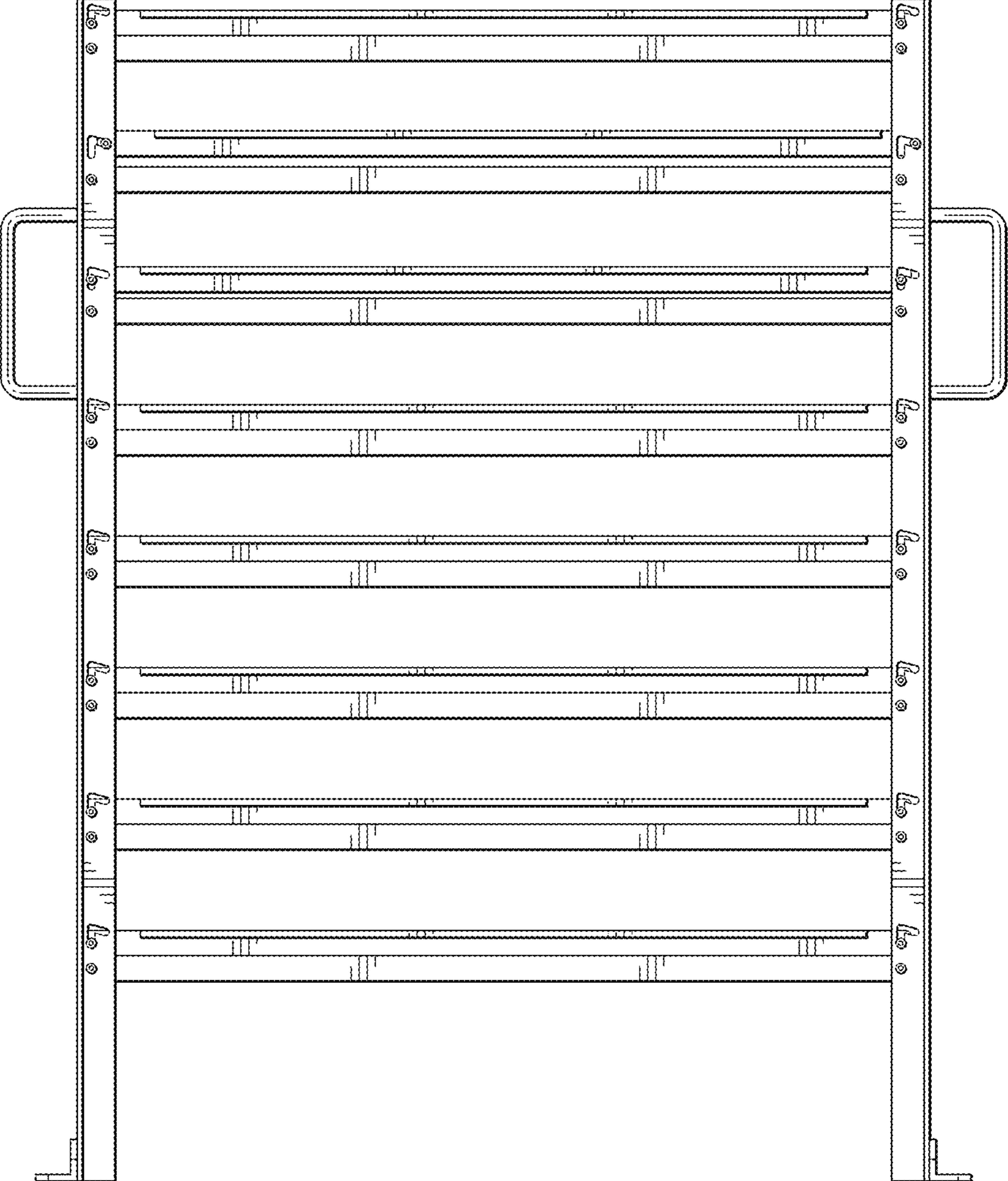


FIG. 2

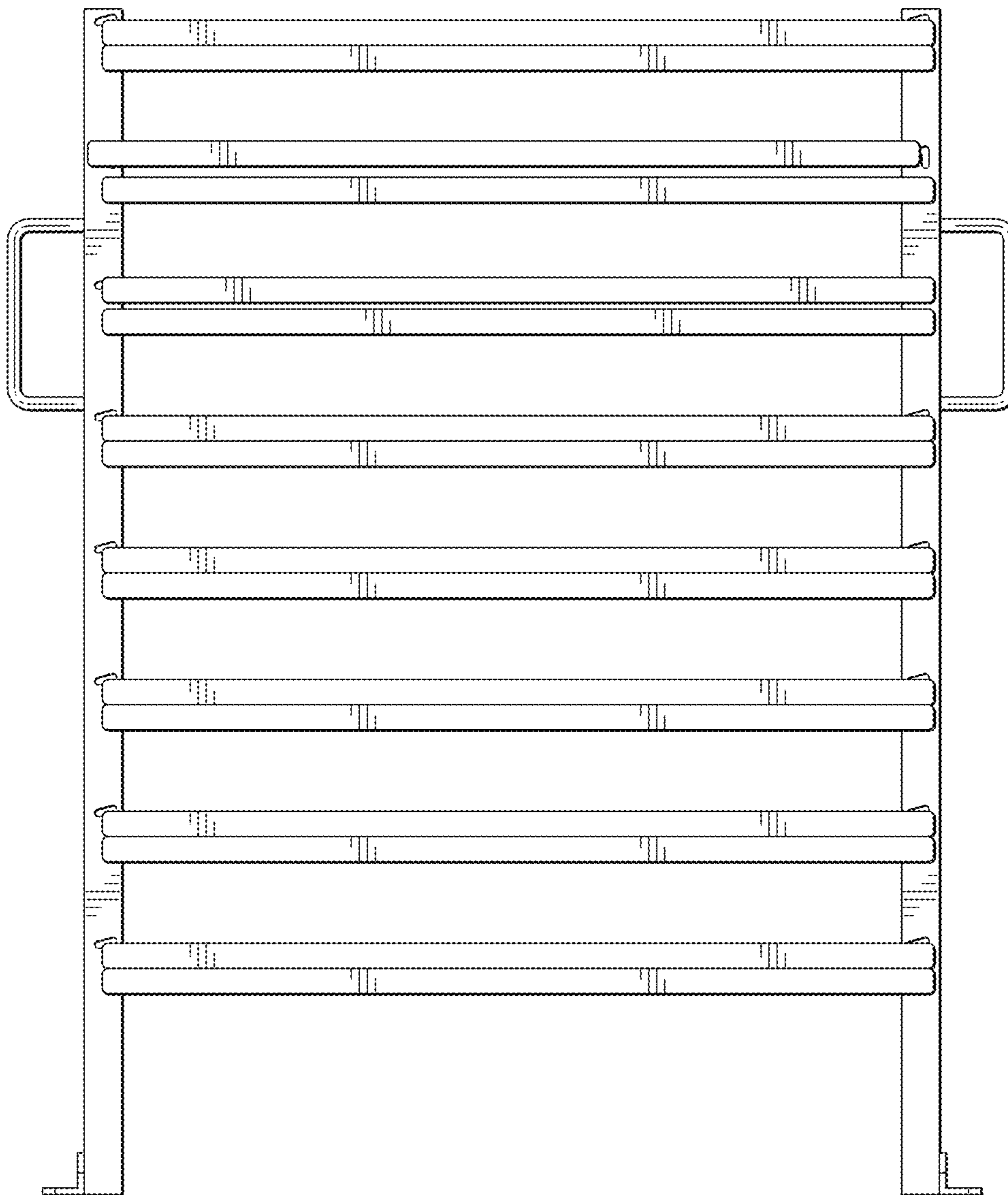


FIG. 3

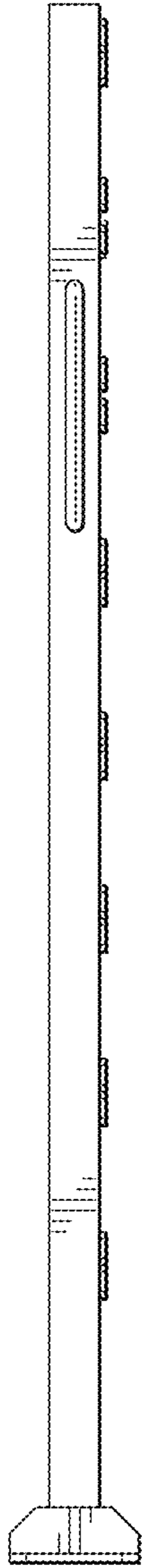


FIG. 4

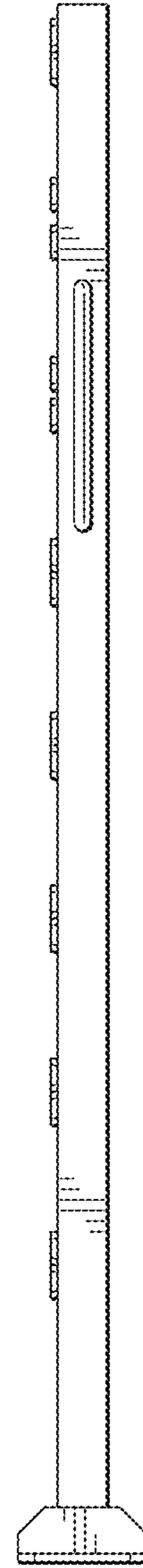


FIG. 5

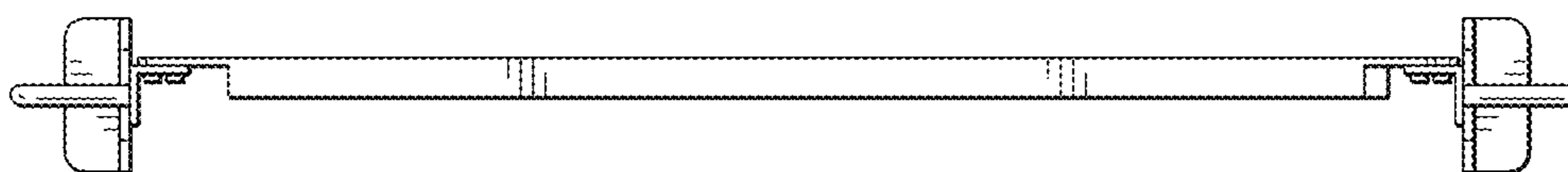


FIG. 6

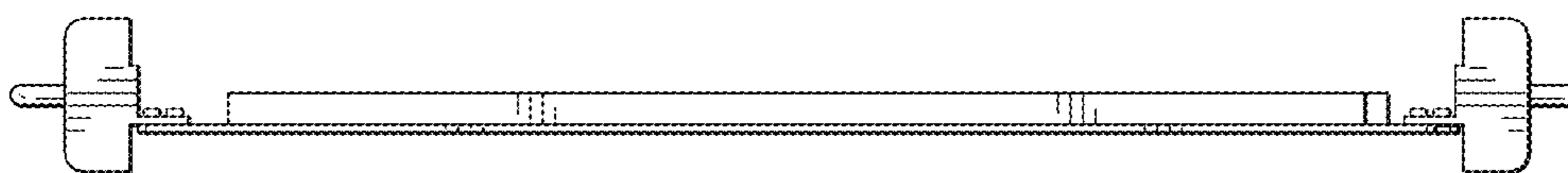


FIG. 7

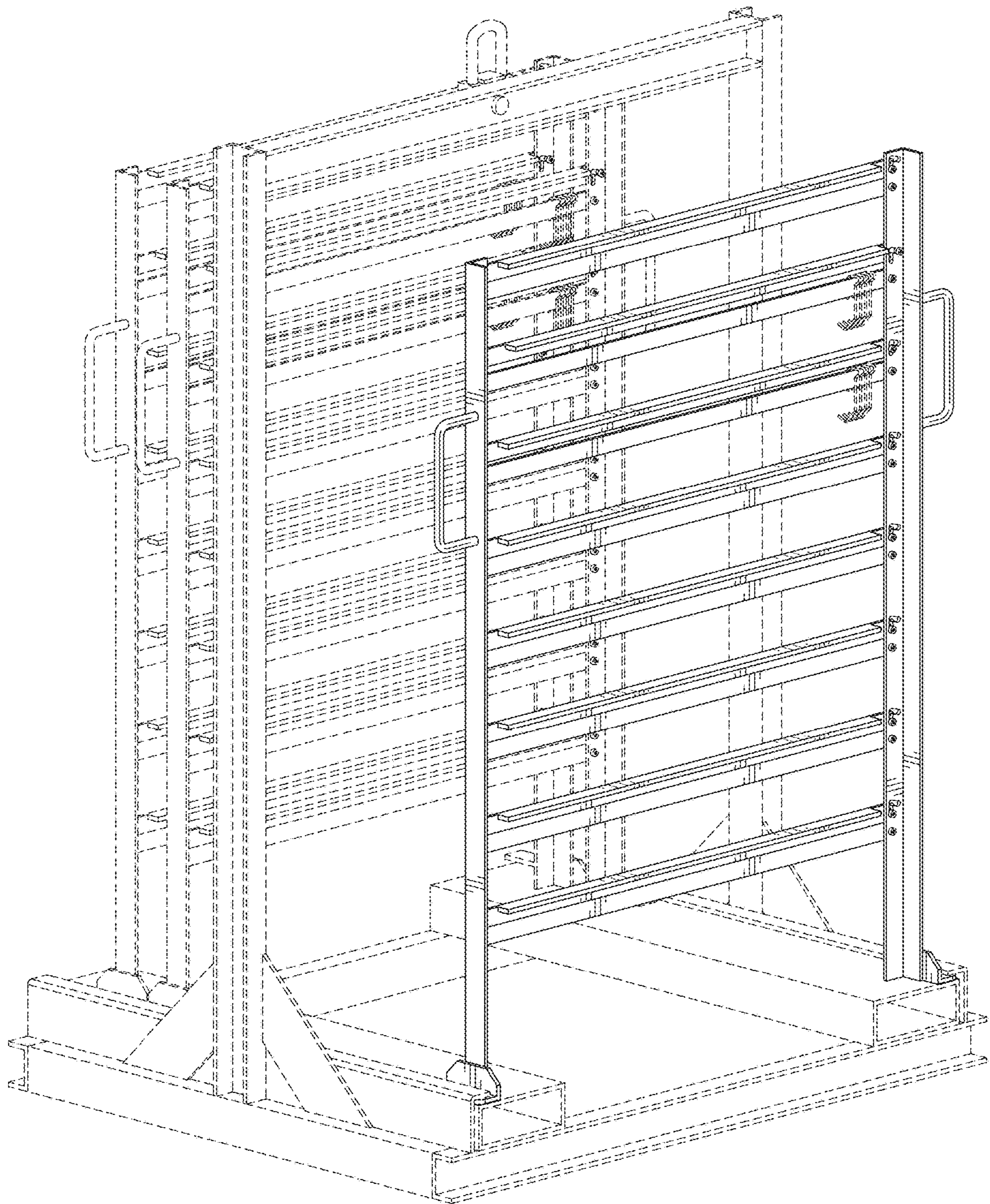


FIG. 8

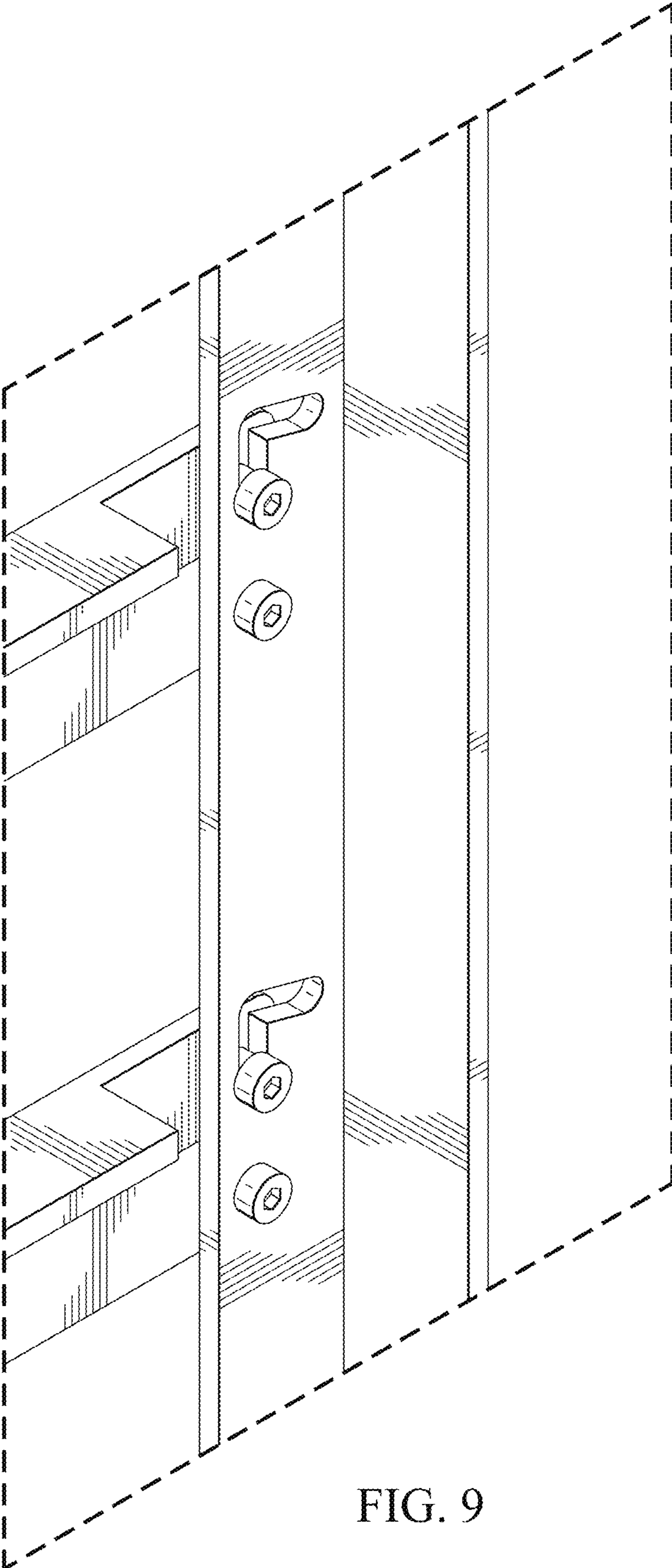


FIG. 9