

US00D850826S

(12) **United States Design Patent**
Amendt et al.

(10) **Patent No.:** **US D850,826 S**
(45) **Date of Patent:** **** Jun. 11, 2019**

- (54) **RACK**
- (71) Applicant: **Efficient Lab Innovations LLC**,
Camarillo, CA (US)
- (72) Inventors: **Christine Adrienne Amendt**,
Camarillo, CA (US); **Monte Allan Amendt**,
Camarillo, CA (US)
- (73) Assignee: **Efficient Lab Innovations LLC**,
Camarillo, CA (US)
- (**) Term: **15 Years**
- (21) Appl. No.: **29/625,562**
- (22) Filed: **Nov. 10, 2017**
- (51) **LOC (11) Cl.** **06-06**
- (52) **U.S. Cl.**
USPC **D6/675.2**
- (58) **Field of Classification Search**
USPC D34/12, 27; D6/675, 675.1, 675.2;
D3/304, 306, 307, 308, 314
CPC ... A47B 73/00; A47B 73/002; A47B 2210/05;
A47B 55/00; A47B 55/02; A47F 5/0018;
A47F 5/01
See application file for complete search history.

- D479,537 S * 9/2003 Bodine D15/89
- D632,145 S * 2/2011 Tiemann A47J 47/16
D7/704
- D651,435 S * 1/2012 Dieudonne D6/515
- D687,610 S * 8/2013 Jonsson D32/55
- D698,606 S * 2/2014 Tsai D7/600.2
- D759,894 S * 6/2016 Goodman D28/38
- D778,635 S * 2/2017 Pan D6/535
- D798,637 S * 10/2017 Min D6/678.4
- D840,716 S * 2/2019 Kuo D6/566

* cited by examiner

Primary Examiner — Kelley A Donnelly
(74) *Attorney, Agent, or Firm* — SoCal IP Law Group
LLP; Steven C. Sereboff

(57) **CLAIM**

The ornamental design for a rack, as shown and described.

DESCRIPTION

A portion of the disclosure of this patent document contains material to which a claim for copyright is made. The copyright owner has no objection to the facsimile reproduction by anyone of the patent document or the patent disclosure, as it appears in the Patent and Trademark Office patent file or records, but reserves all other copyright rights whatsoever.

- FIG. 1 is a top perspective view of a rack.
- FIG. 2 is a left-side view the rack of FIG. 1.
- FIG. 3 is a right-side view of the rack of FIG. 1.
- FIG. 4 is a top view of the rack of FIG. 1.
- FIG. 5 is a bottom view of the rack of FIG. 1.
- FIG. 6 is a front view of the rack of FIG. 1; and,
- FIG. 7 is a back view of the rack of FIG. 1.

1 Claim, 6 Drawing Sheets

(56) **References Cited**

U.S. PATENT DOCUMENTS

- D213,993 S * 4/1969 Mineo Jr. 211/181.1
- D302,756 S * 8/1989 Trine D30/133
- D361,449 S * 8/1995 Rittenberg D6/566
- D390,056 S * 2/1998 Pujals, Jr. D6/566
- D430,441 S * 9/2000 Rosenberg D6/513
- D446,968 S * 8/2001 Spencer A47F 7/148
D6/678.4

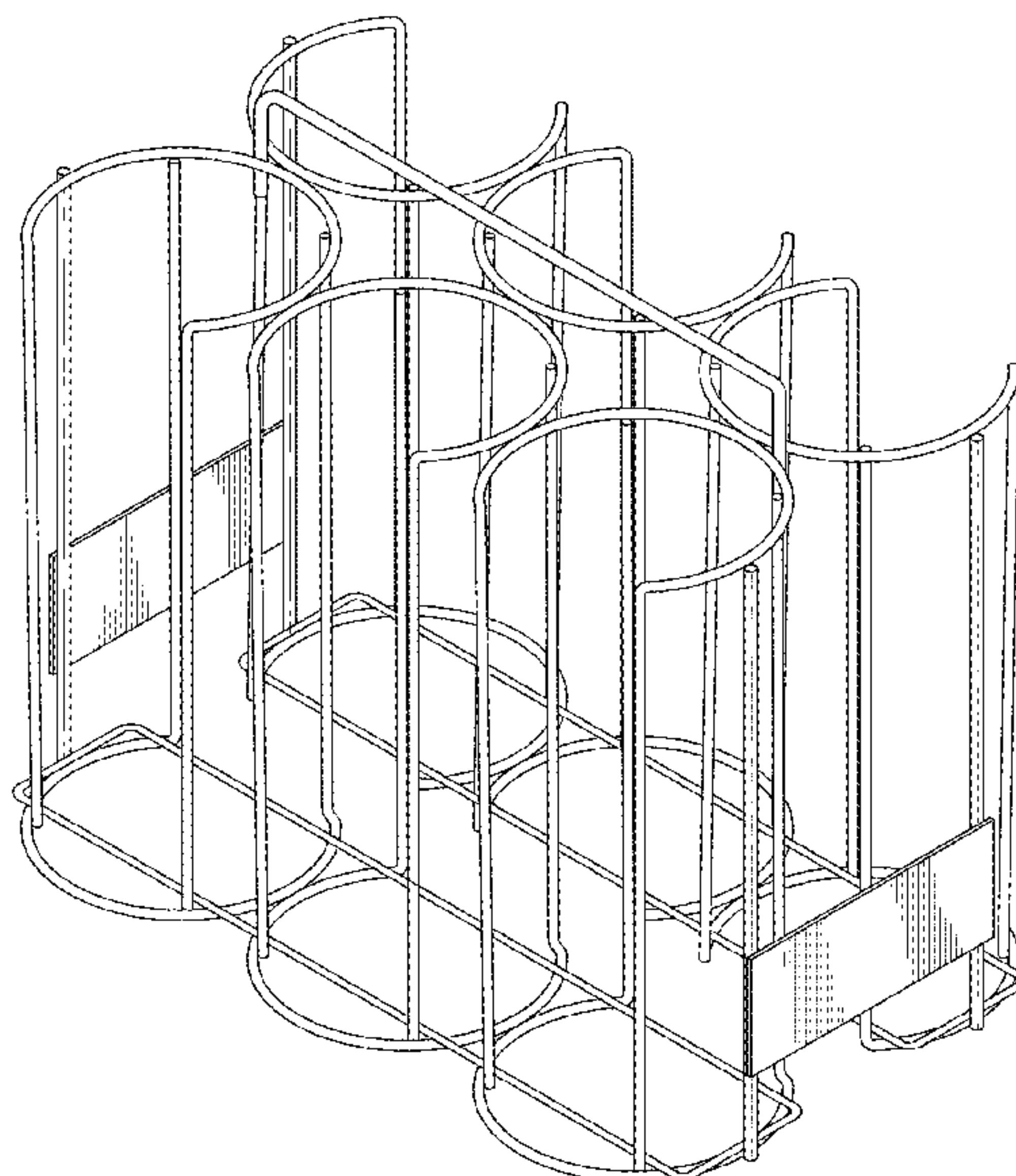
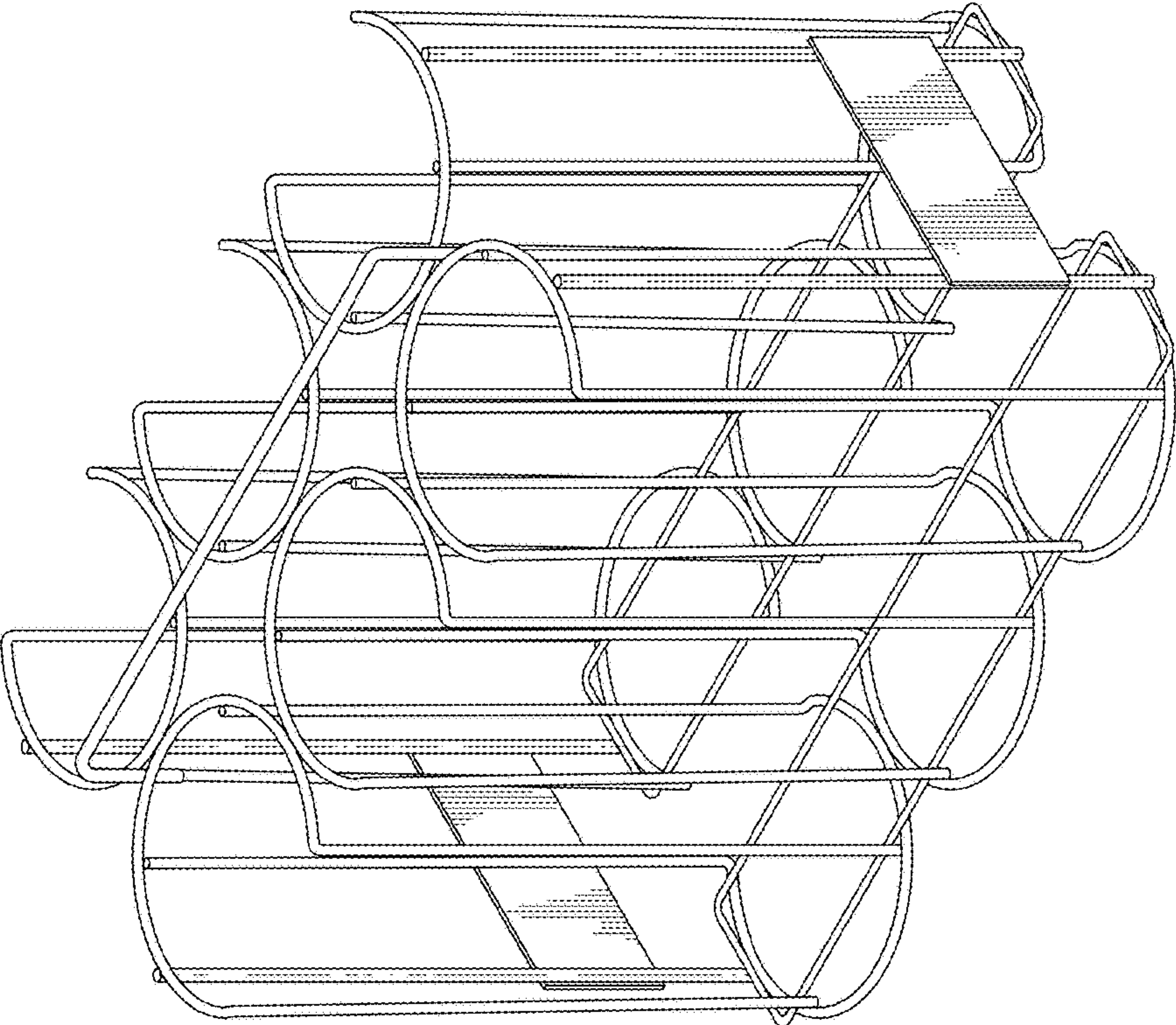


FIG. 1



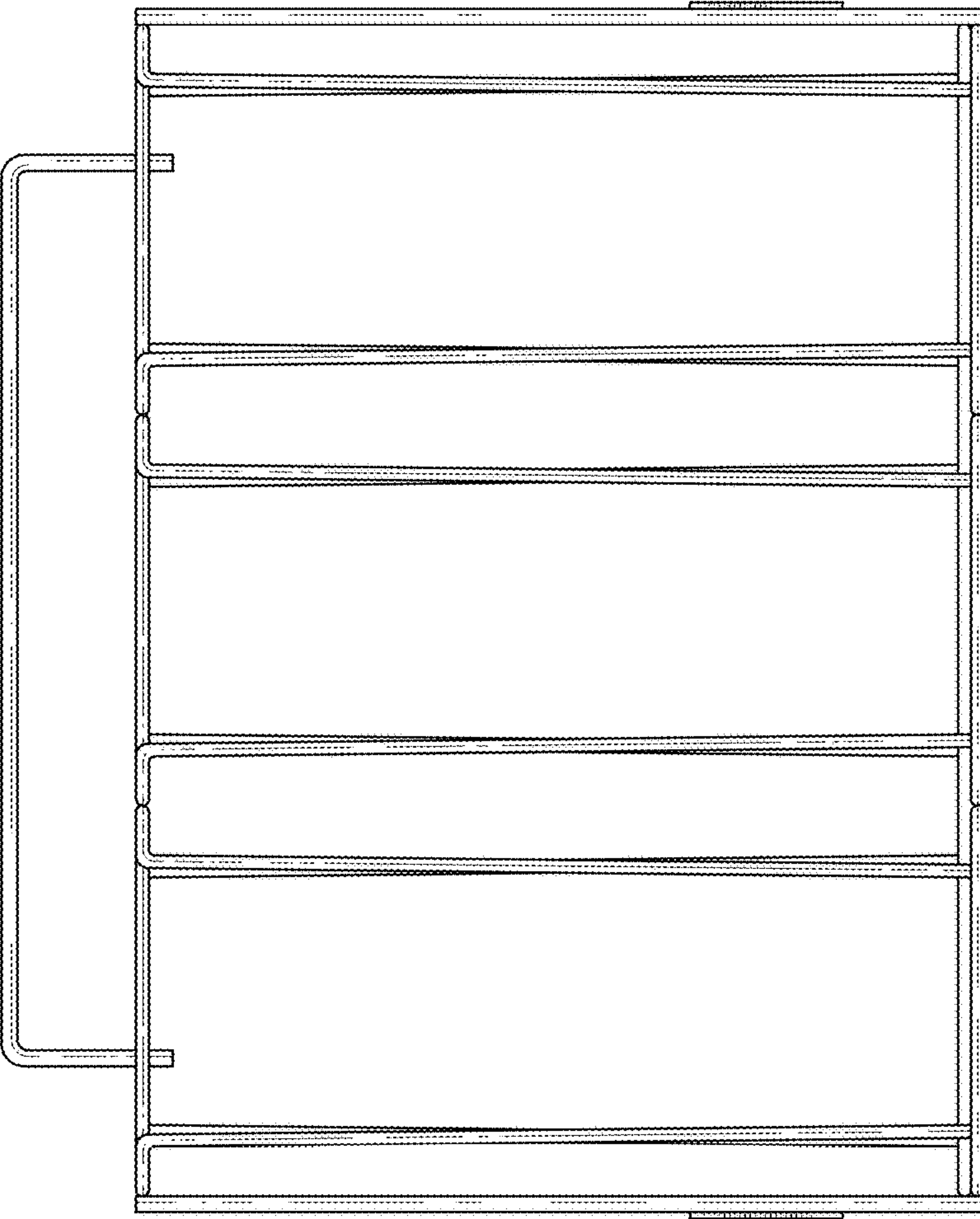


FIG. 2

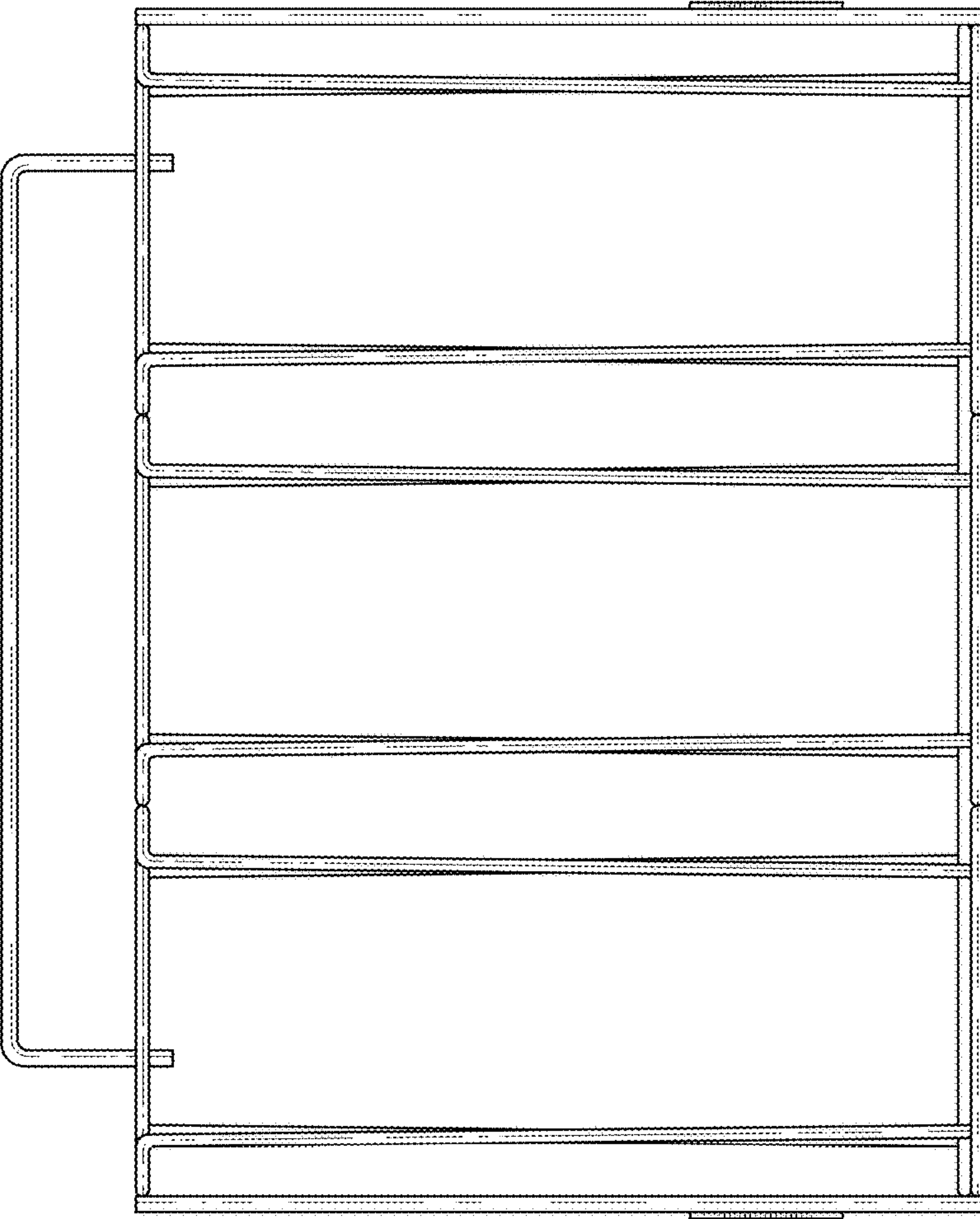


FIG. 3

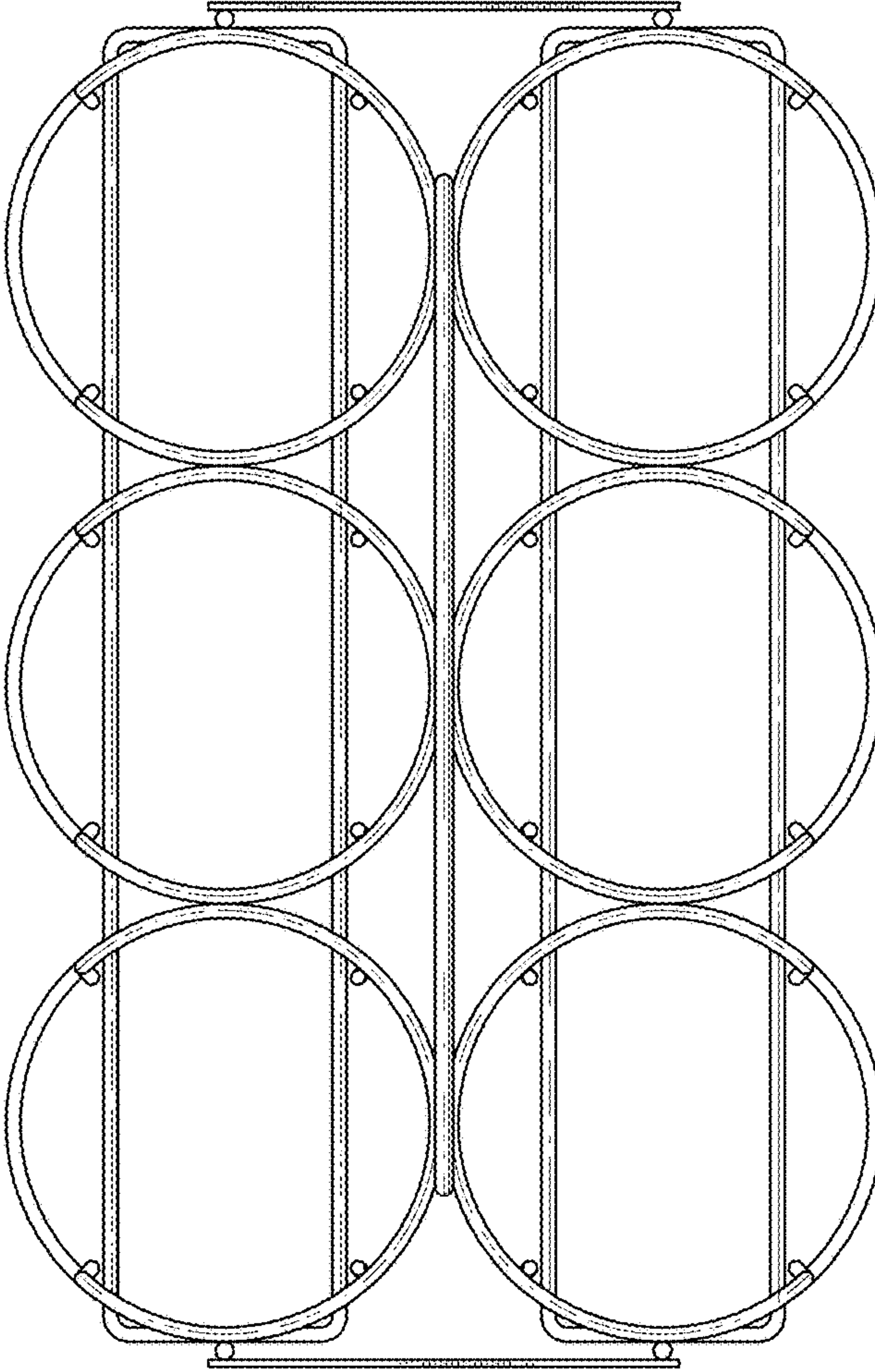


FIG. 4

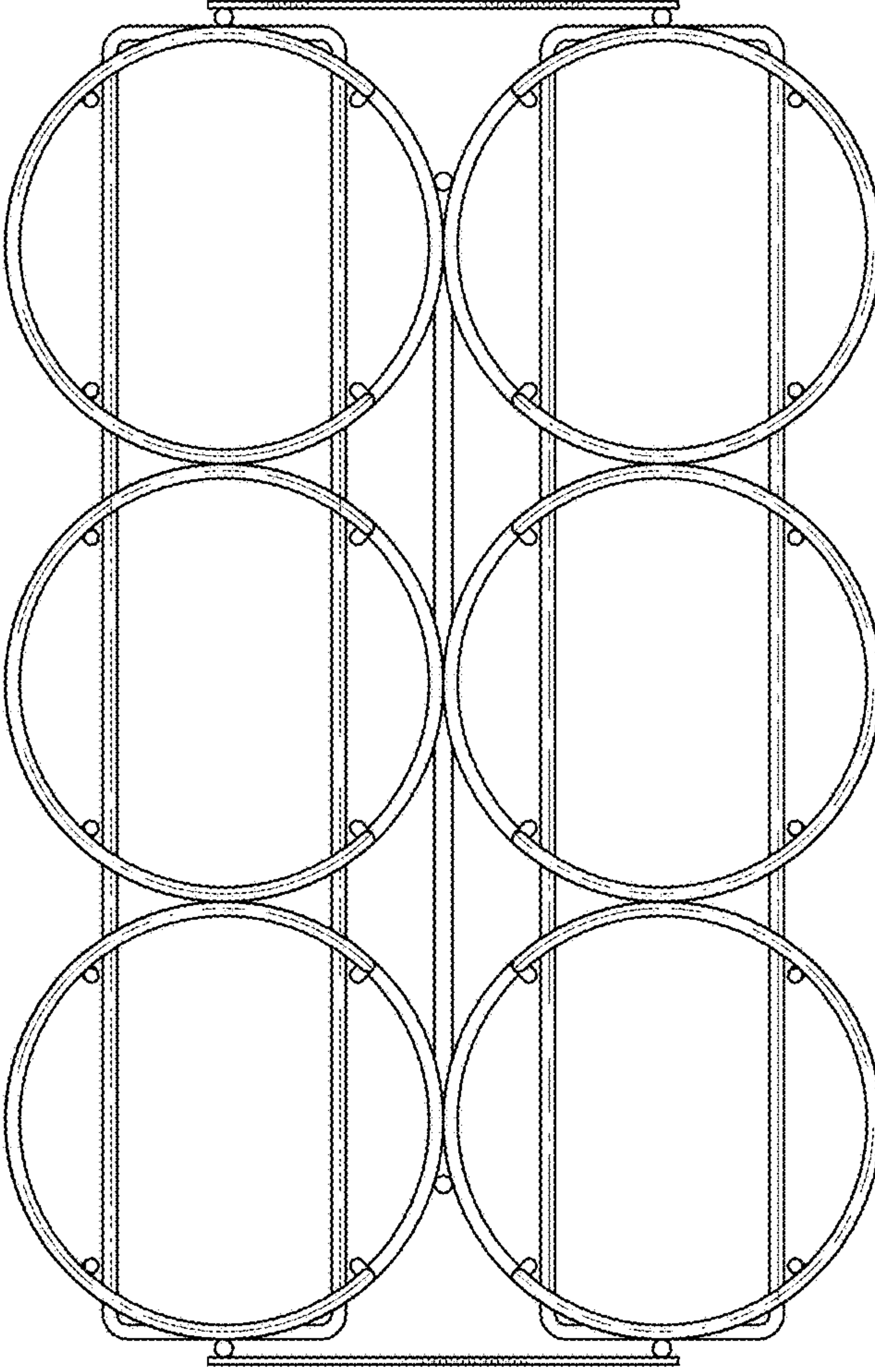


FIG. 5

