

US00D850825S

(12) **United States Design Patent**
Gutchess et al.

(10) **Patent No.:** **US D850,825 S**
(45) **Date of Patent:** **** Jun. 11, 2019**

- (54) **PRODUCT DISPLAY CONTAINER**
- (71) Applicant: **Milwaukee Electric Tool Corporation**,
Brookfield, WI (US)
- (72) Inventors: **Joanne E. Gutchess**, Franklin, WI
(US); **Brandon Miller**, Milwaukee, WI
(US)
- (73) Assignee: **Milwaukee Electric Tool Corporation**,
Brookfield, WI (US)
- (**) Term: **15 Years**

8,793,890	B2 *	8/2014	Delneo	G01B 3/1041 33/769
8,806,770	B2 *	8/2014	Steele	G01B 3/1005 33/768
8,819,955	B2 *	9/2014	Chapin	G01B 3/1082 33/757
8,863,399	B2 *	10/2014	Steele	G01B 3/1082 33/679.1
D726,043	S *	4/2015	Cook	D10/72
D729,082	S *	5/2015	Nelson	D10/72
D733,597	S *	7/2015	Hyma	D10/72
9,080,849	B2 *	7/2015	Steele	G01B 3/1041
9,267,778	B2 *	2/2016	Burch	G01B 3/1061
9,322,628	B2 *	4/2016	Burch	G01B 3/1056
D783,429	S *	4/2017	Wortelboer	D10/72

(Continued)

- (21) Appl. No.: **29/591,937**
- (22) Filed: **Jan. 25, 2017**
- (51) **LOC (11) Cl.** **06-04**
- (52) **U.S. Cl.**
USPC **D6/672**
- (58) **Field of Classification Search**
USPC D3/201, 269; D6/672, 678, 682, 682.1;
D9/418, 424, 455, 457, 499; D10/72
CPC G01B 3/10; G01B 3/1041; G01B
2003/1046; G01B 2003/1053; G01B
2003/1074; A47F 3/00
See application file for complete search history.

Primary Examiner — John Windmuller
Assistant Examiner — Steven J Czyz
 (74) *Attorney, Agent, or Firm* — Reinhart Boerner Van
 Deuren s.c.

(57) **CLAIM**

We claim the ornamental design for a product display container, as shown and described.

DESCRIPTION

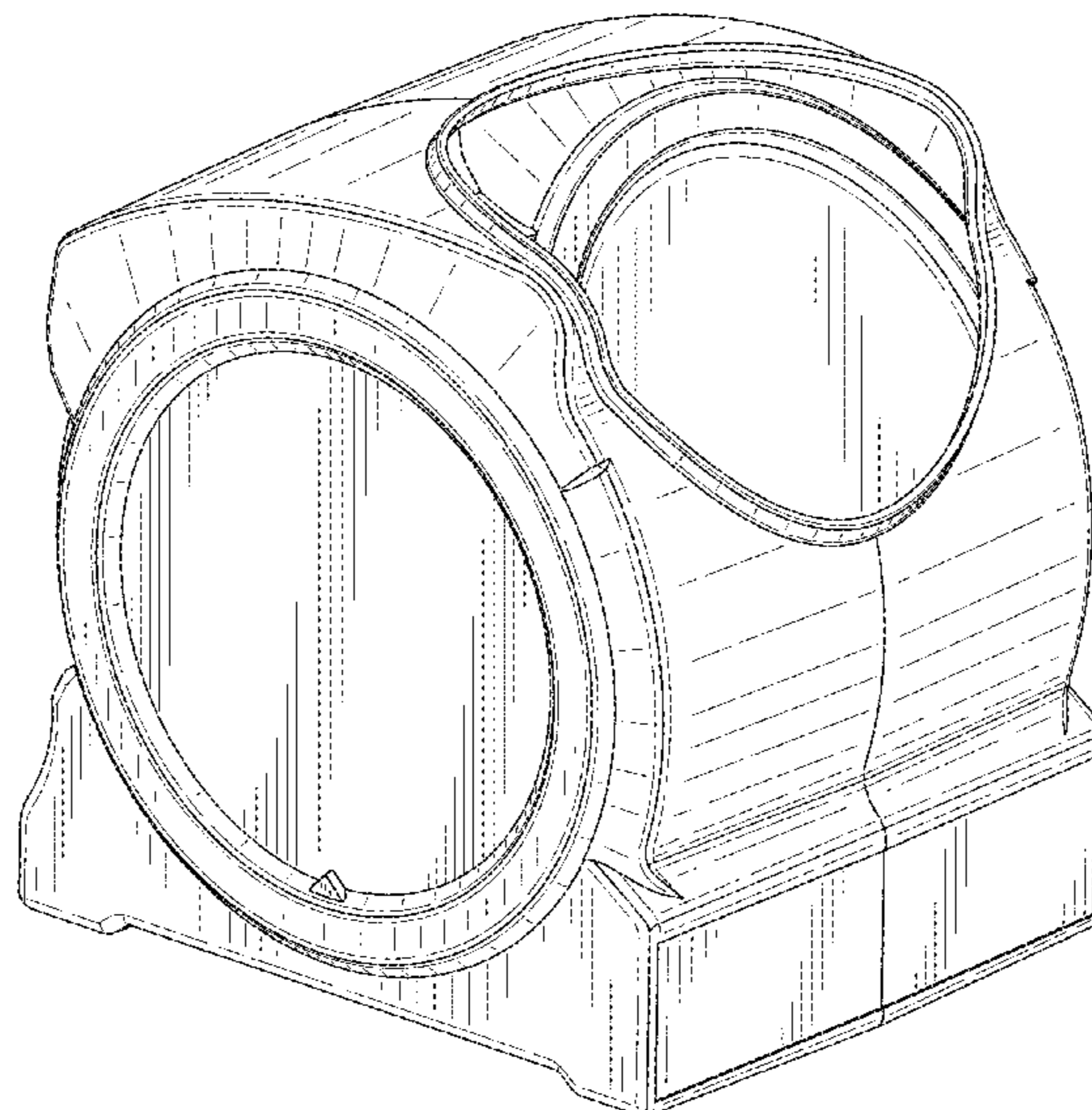
FIG. 1 is a perspective view of a product display container of the present invention;
 FIG. 2 is a left side view of the product display container shown in FIG. 1.
 FIG. 3 is a right side view of the product display container shown in FIG. 1.
 FIG. 4 is a front side view of the product display container shown in FIG. 1.
 FIG. 5 is a back side view of the product display container shown in FIG. 1.
 FIG. 6 is a top side view of the product display container shown in FIG. 1; and,
 FIG. 7 is a bottom side view of the product display container shown in FIG. 1.

1 Claim, 7 Drawing Sheets

(56) **References Cited**

U.S. PATENT DOCUMENTS

2,118,507	A *	5/1938	Guttman	A47F 7/03 206/6.1
6,804,899	B2 *	10/2004	Murray	G01B 3/1082 33/755
7,584,549	B2 *	9/2009	Lee	G01B 3/1041 33/761
D605,501	S *	12/2009	Pham	D9/425
D653,971	S *	2/2012	Robinson	D10/72
D653,973	S *	2/2012	Robinson	D10/72
D660,735	S *	5/2012	Petrillo	D10/72
D686,515	S *	7/2013	Robinson	D10/72



(56)

References Cited

U.S. PATENT DOCUMENTS

D783,430 S * 4/2017 Wortelboer D10/72
D785,475 S * 5/2017 Graykowski D10/72
D785,476 S * 5/2017 Graykowski D10/72
D787,347 S * 5/2017 Wortelboer D10/72
D788,611 S * 6/2017 Anderson D10/72
D803,711 S * 11/2017 Jost D10/72
9,874,428 B1 * 1/2018 Nelson H05K 999/99
D817,200 S * 5/2018 Wortelboer D10/72
10,054,415 B2 * 8/2018 Feuerstein G01B 3/1041
10,126,107 B2 * 11/2018 Khangar G01B 1/00
D836,460 S * 12/2018 Roesler D9/730

* cited by examiner

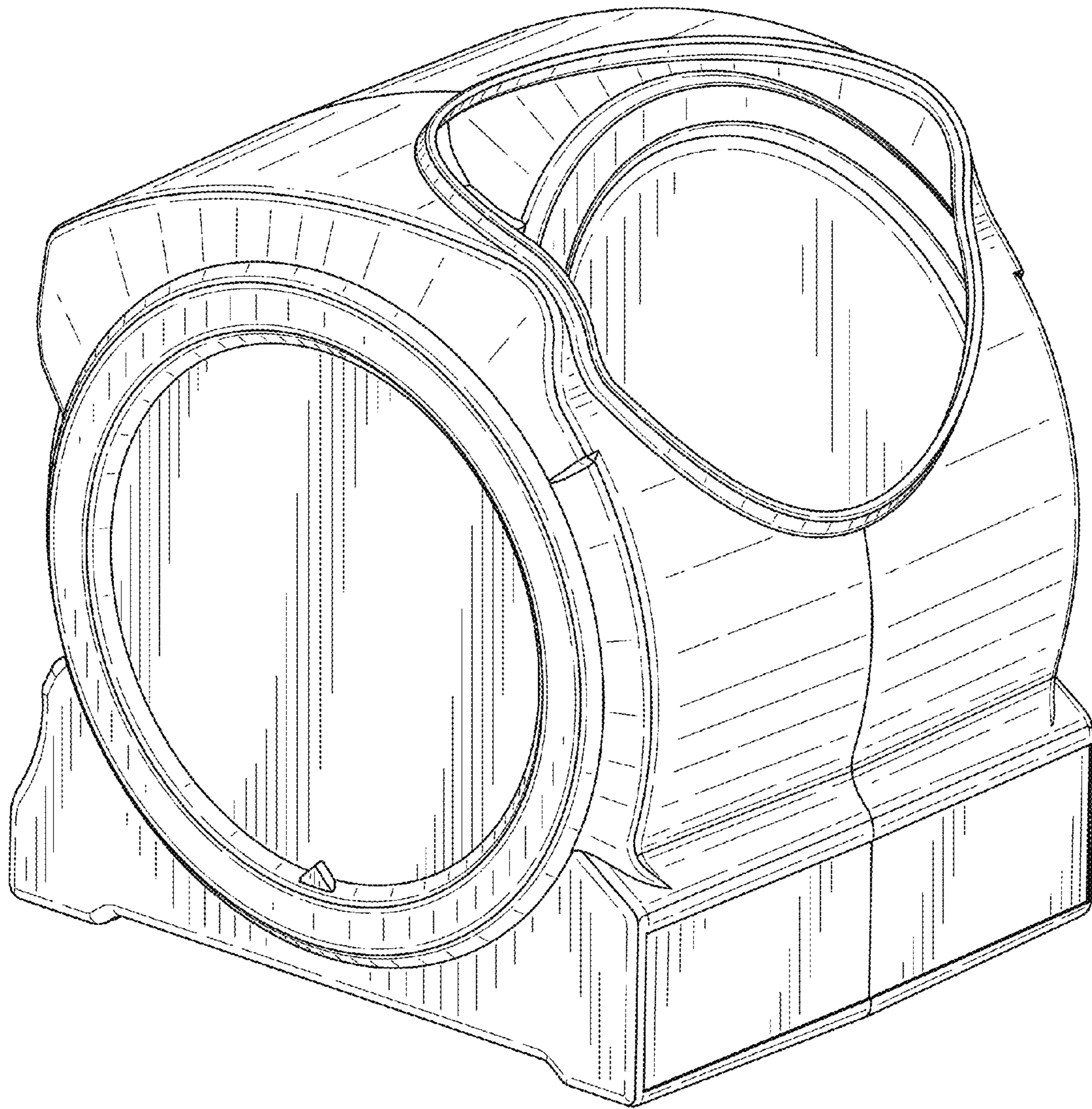


FIG. 1

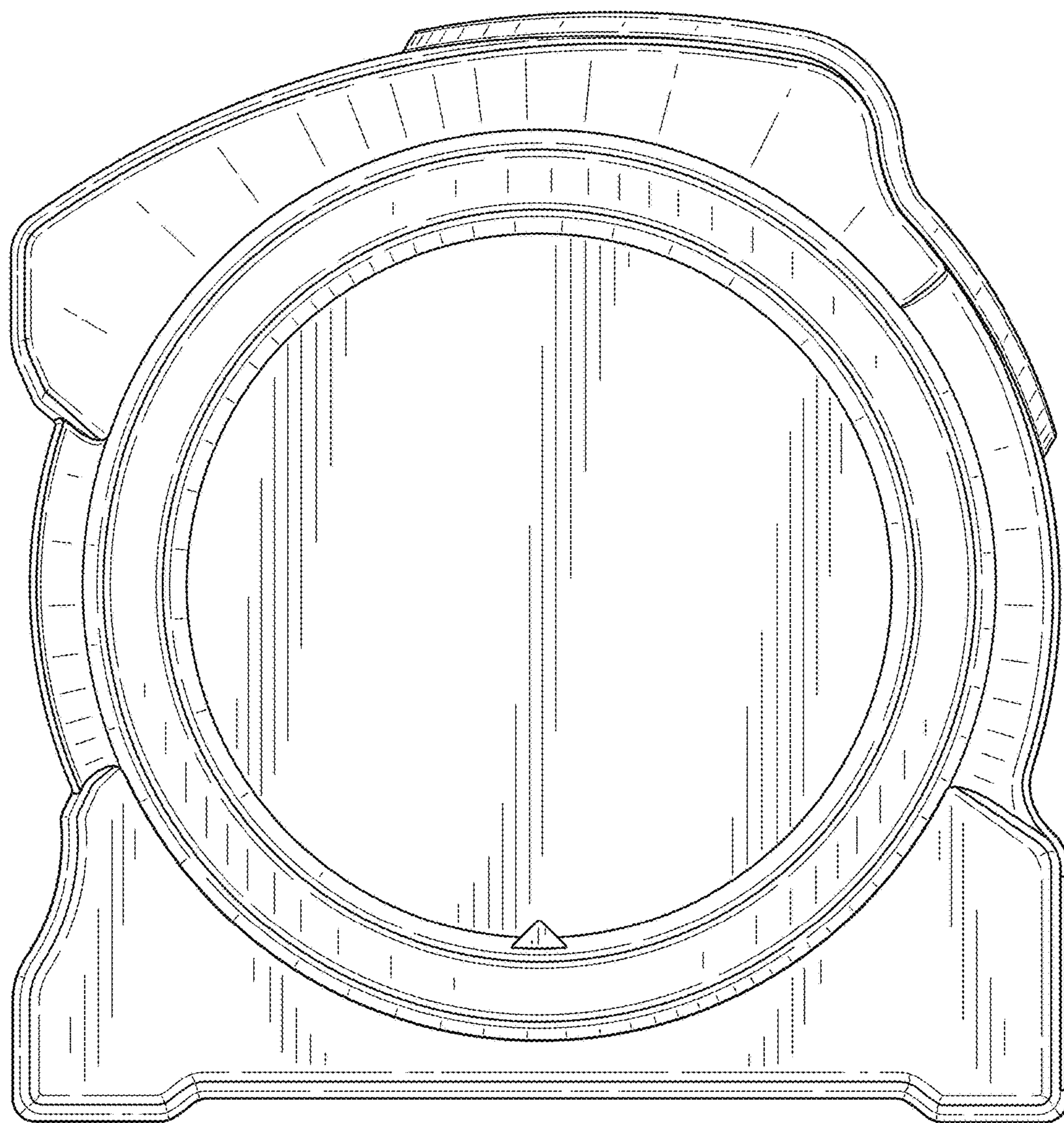


FIG. 2

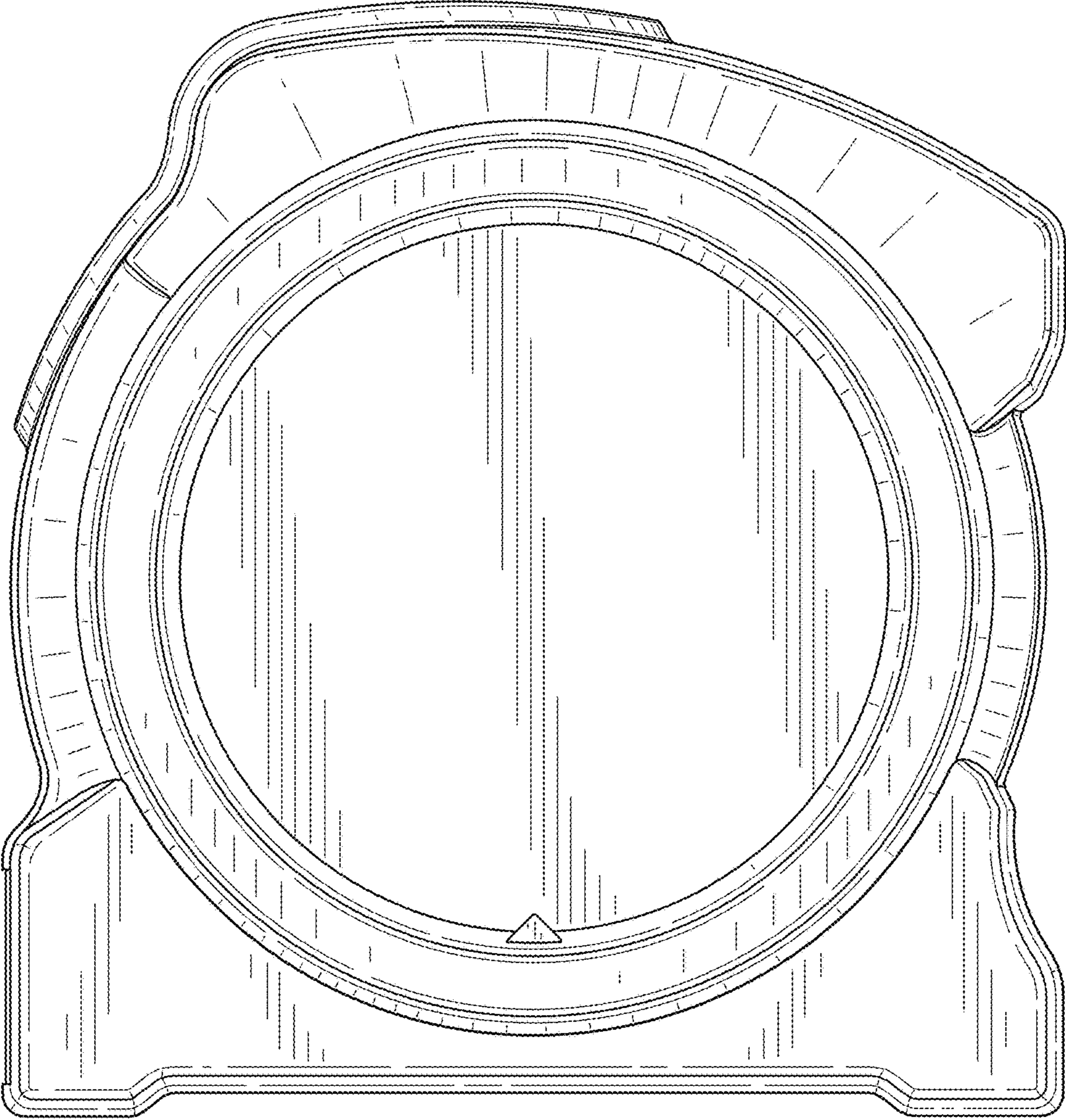


FIG. 3

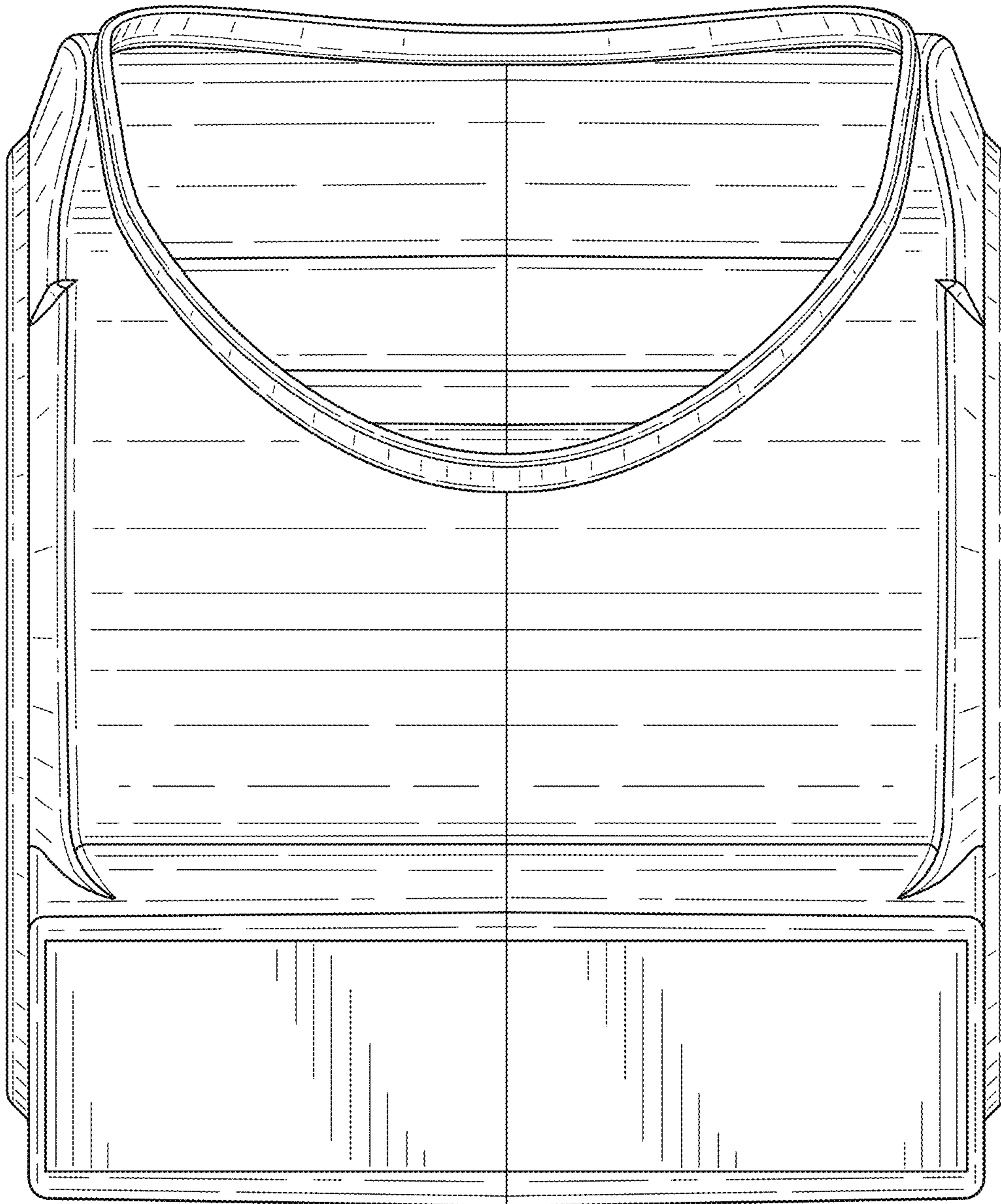


FIG. 4

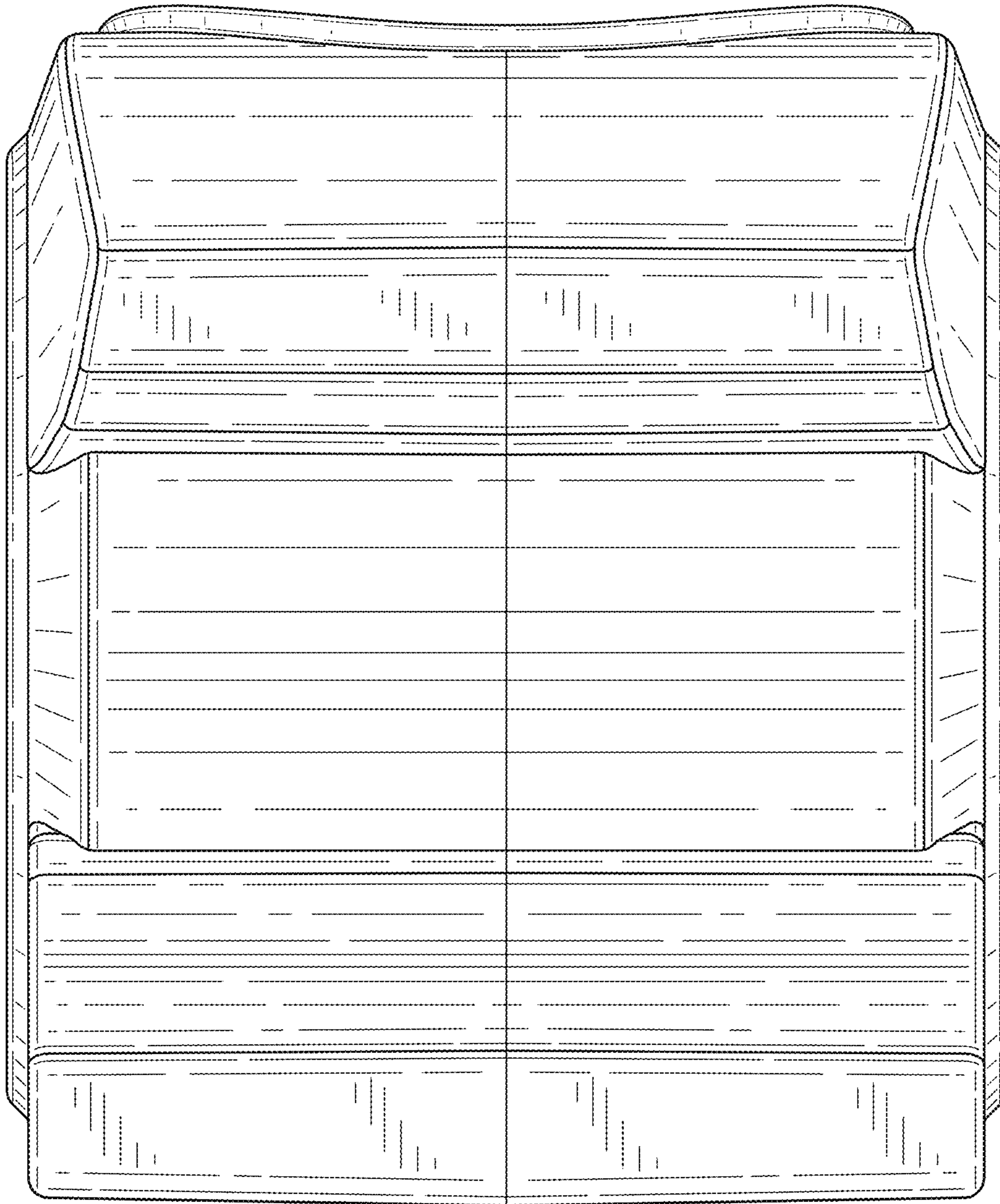


FIG. 5

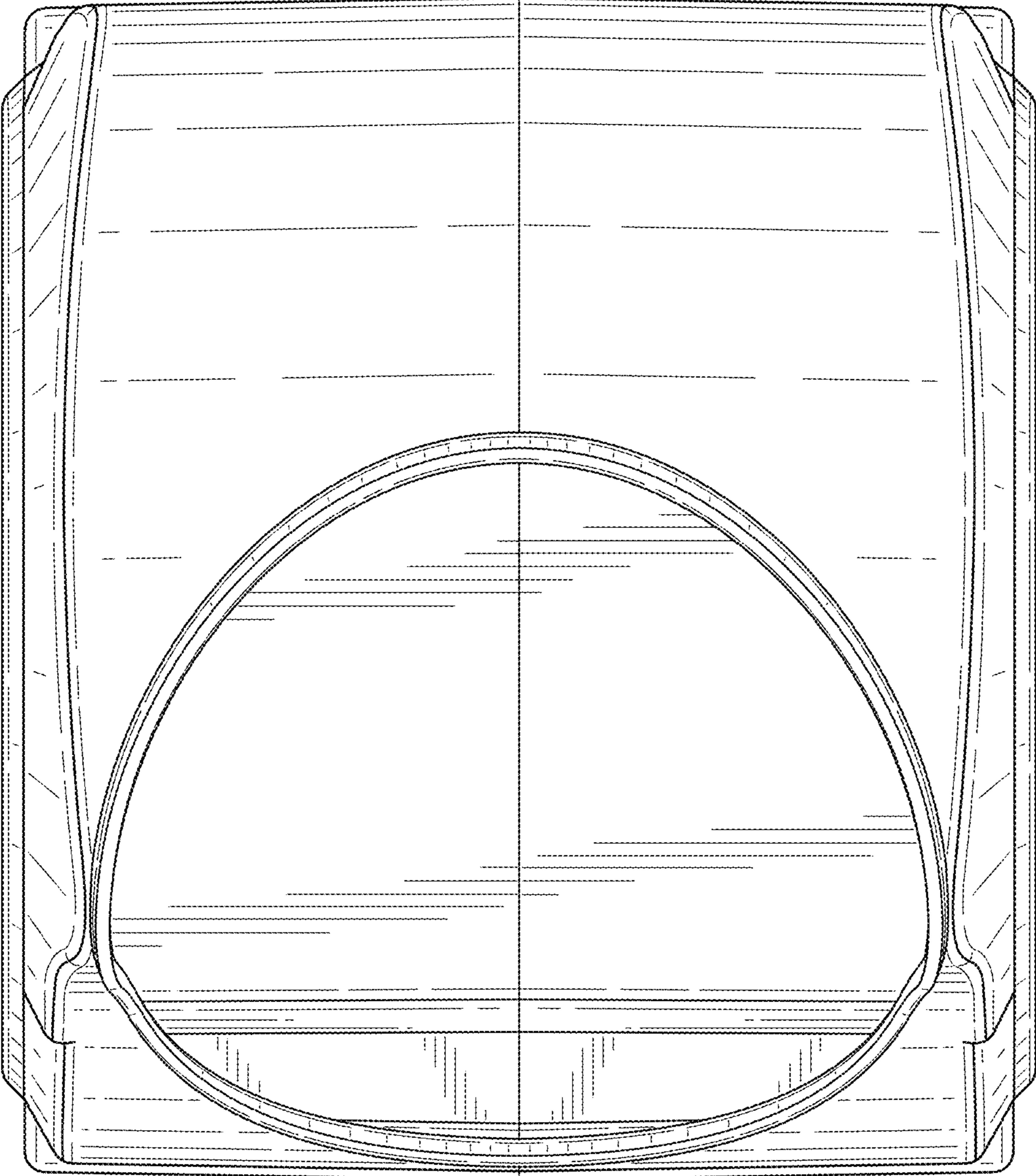


FIG. 6

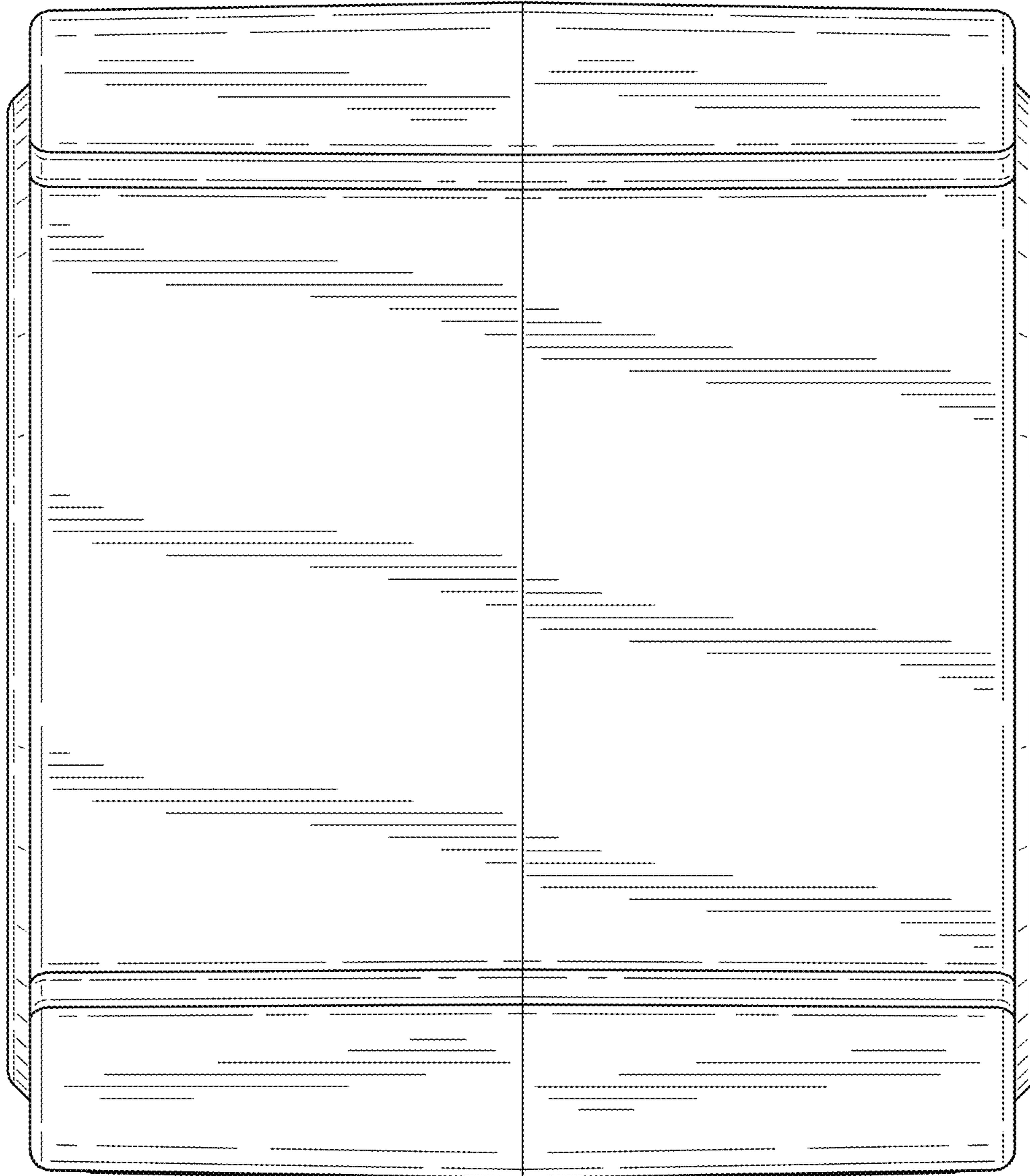


FIG. 7