



US00D850824S

(12) **United States Design Patent**
Bashkin

(10) **Patent No.:** **US D850,824 S**

(45) **Date of Patent:** **** Jun. 11, 2019**

(54) **STORAGE CONTAINER**

(71) Applicant: **3 STRIKE, LLC**, Cleveland, OH (US)

(72) Inventor: **Leonard M. Bashkin**, Cleveland, OH (US)

(73) Assignee: **3 STRIKE, LLC**, Cleveland, OH (US)

(**) Term: **15 Years**

(21) Appl. No.: **29/601,914**

(22) Filed: **Apr. 27, 2017**

Related U.S. Application Data

(63) Continuation of application No. 29/526,984, filed on May 14, 2015, now Pat. No. Des. 789,712.

(51) **LOC (11) Cl.** **06-04**

(52) **U.S. Cl.**
USPC **D6/671**

(58) **Field of Classification Search**
USPC D6/661-664, 668, 668.1, 668.2, 671, D6/671.1, 677.3, 703; D13/184; D14/310; D15/127

CPC A47B 17/04; A47B 47/02; A47B 47/03; A47B 47/0075; A47B 57/425; A47B 87/00; A47F 3/06; A47F 3/043; A47F 3/0434; G06Q 10/087

See application file for complete search history.

(56) **References Cited**

U.S. PATENT DOCUMENTS

2,424,217 A * 7/1947 Bales A47B 47/03 211/135
D236,357 S * 8/1975 Clayton D14/310
6,561,601 B1 * 5/2003 Maffeo A47B 47/0075 312/257.1

(Continued)

Primary Examiner — Ricky Pham

(74) *Attorney, Agent, or Firm* — Tucker Ellis LLP; Carlos Garritano

(57) **CLAIM**

The ornamental design for a storage container, as shown and described.

DESCRIPTION

FIG. 1 is a top front left perspective view of a storage container;

FIG. 2 is a top right front perspective view of the storage container shown in FIG. 1;

FIG. 3 is a bottom front left perspective of the storage container shown in FIG. 1;

FIG. 4 is a bottom front right perspective of the storage container shown in FIG. 1;

FIG. 5 is a top rear left perspective of the storage container shown in FIG. 1;

FIG. 6 is a top rear right perspective of the storage container shown in FIG. 1;

FIG. 7 is a bottom rear left perspective of the storage container shown in FIG. 1;

FIG. 8 is a bottom rear right perspective of the storage container shown in FIG. 1;

FIG. 9 is a front view of the storage container shown in FIG. 1;

FIG. 10 is a rear view of the storage container shown in FIG. 1;

FIG. 11 is a left side view of the storage container shown in FIG. 1;

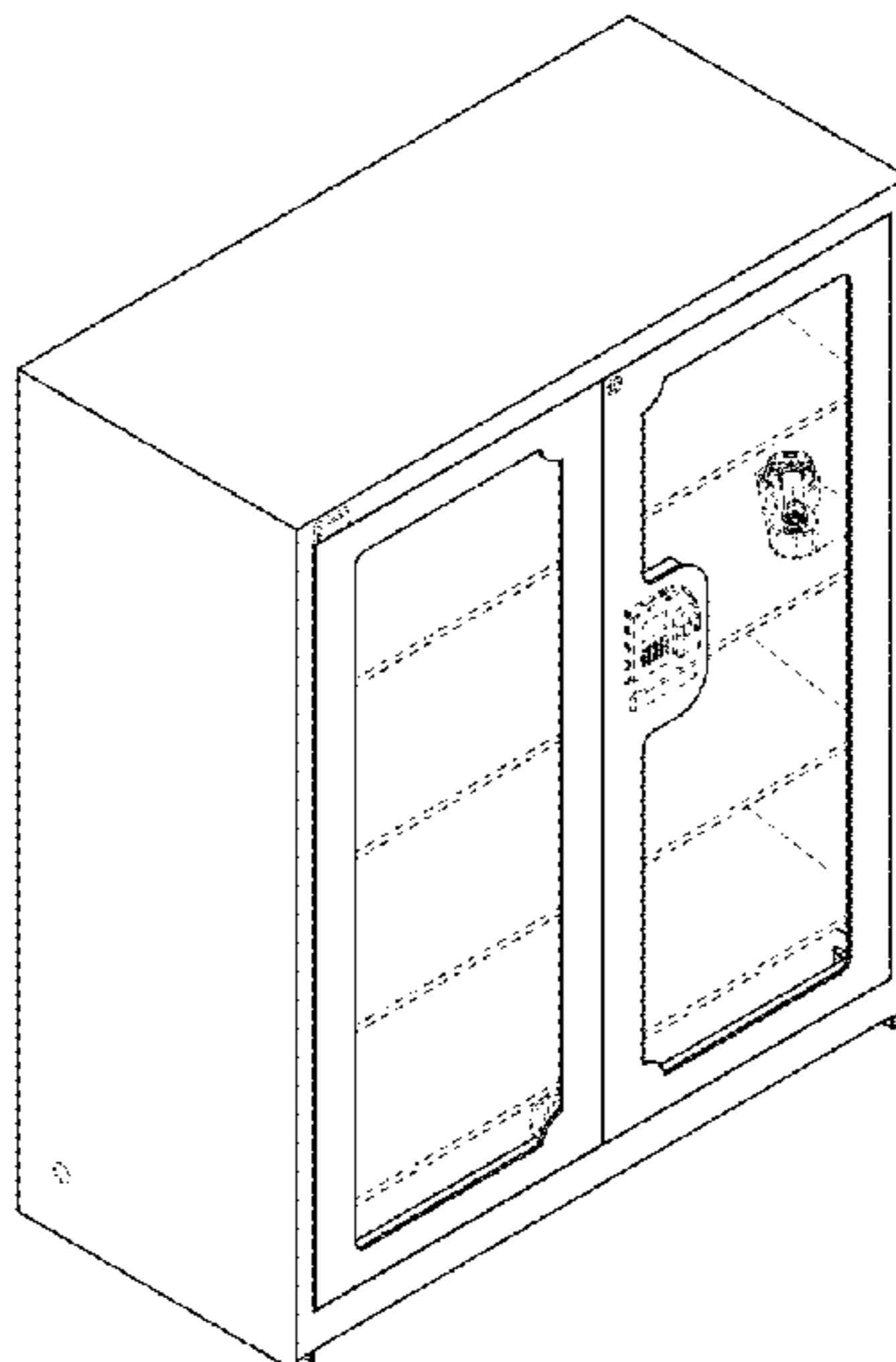
FIG. 12 is a right side view of the storage container shown in FIG. 1;

FIG. 13 is a top view of the storage container shown in FIG. 1; and,

FIG. 14 is a bottom view of the storage container shown in FIG. 1.

The broken lines in the drawings illustrate the portions of the storage container that form no part of the claimed design. Shading of FIGS. 1 through 14 form no part of the claimed design.

1 Claim, 7 Drawing Sheets



(56)

References Cited

U.S. PATENT DOCUMENTS

D481,558 S * 11/2003 Milligan D6/661
D496,540 S * 9/2004 Moon D6/671.1
D499,582 S * 12/2004 McDiarmid D6/661
D623,443 S * 9/2010 Zambelli D6/661
D645,427 S * 9/2011 Delakowitz D13/184
D658,217 S * 4/2012 Wenning D15/127
D668,475 S * 10/2012 Zambelli D6/661
9,349,113 B2 * 5/2016 Bashkin G06Q 10/087
D789,712 S * 6/2017 Bashkin D6/671
D811,132 S * 2/2018 Ni D6/671.1

* cited by examiner

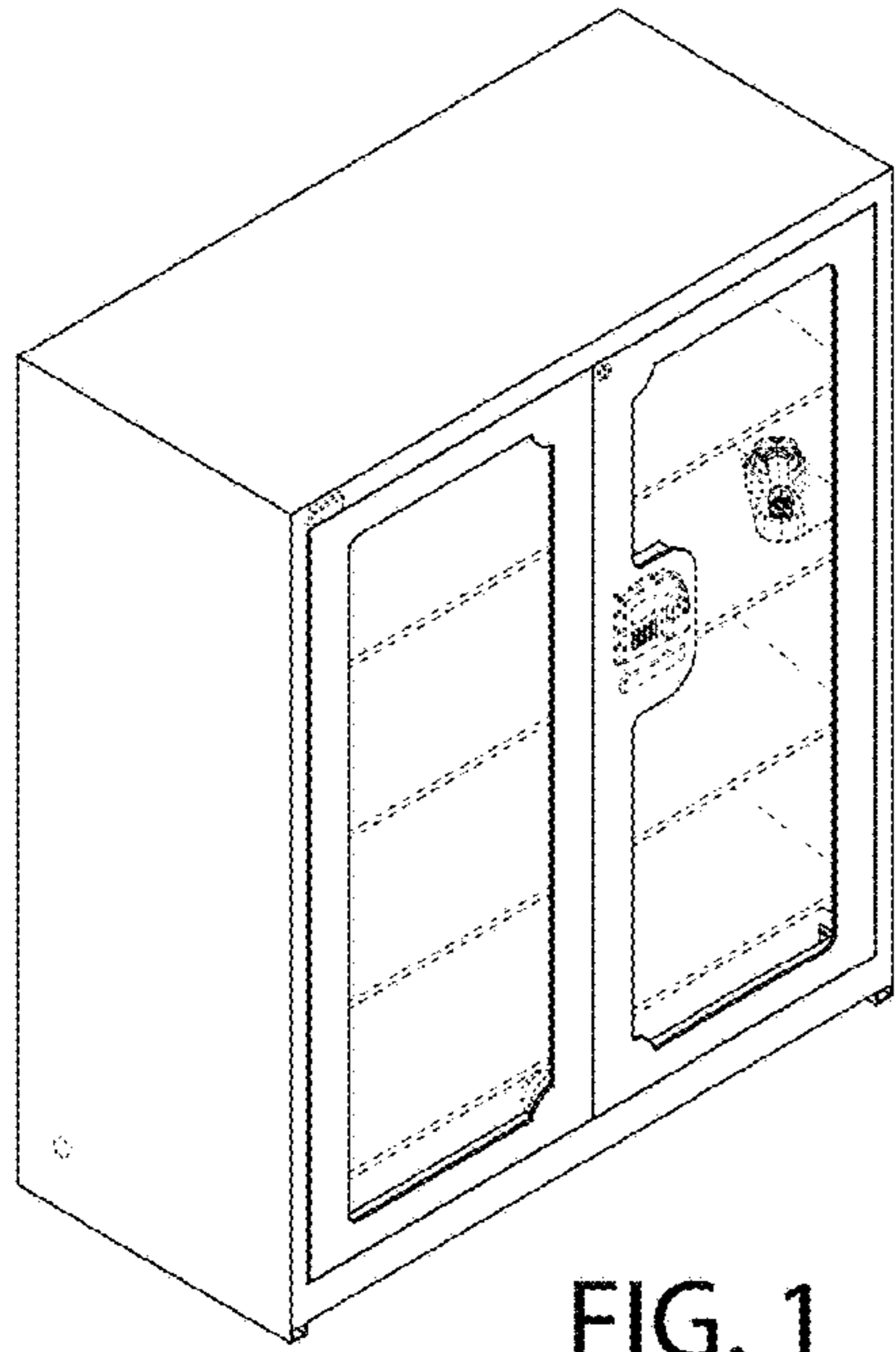


FIG. 1

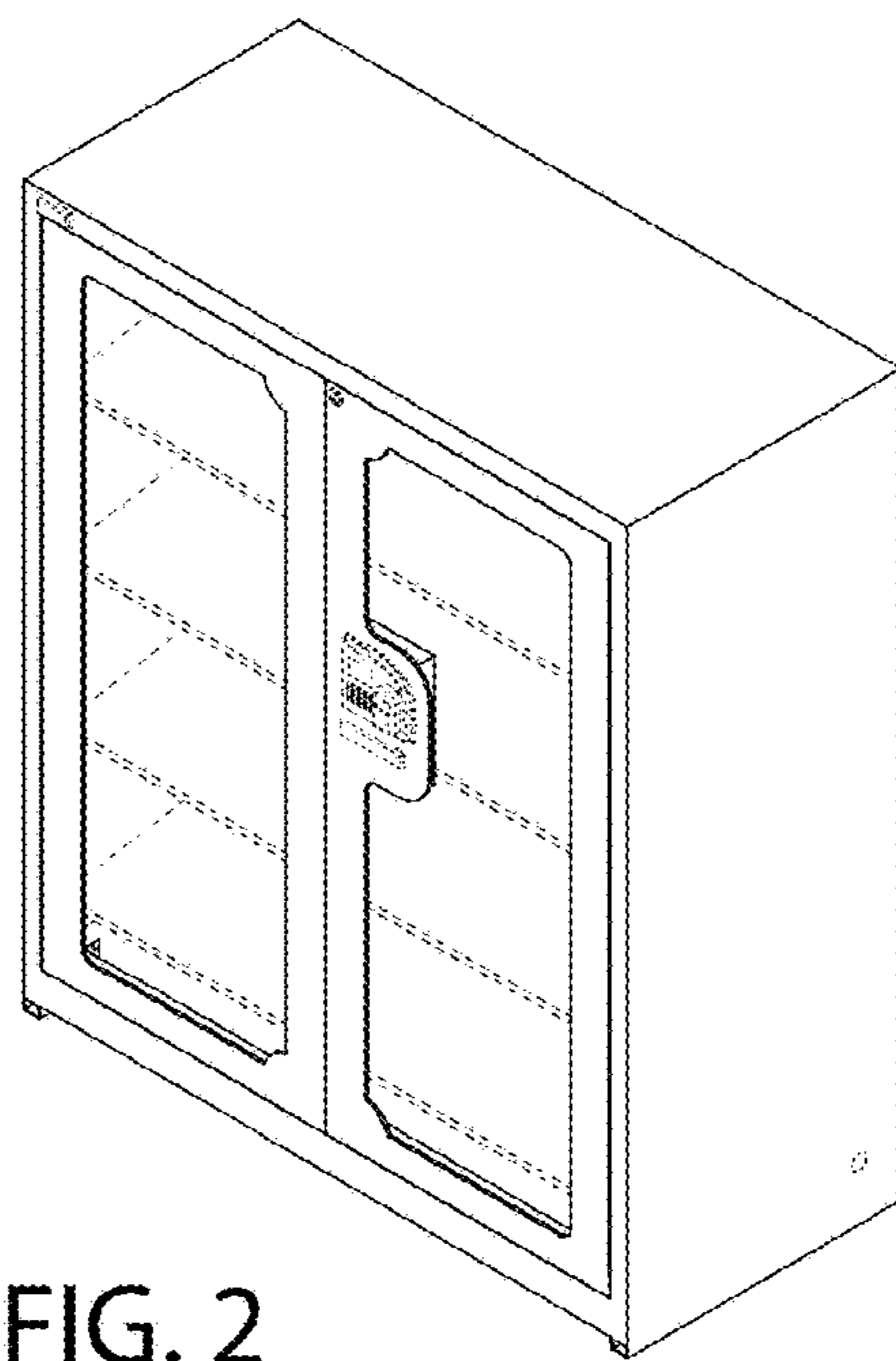


FIG. 2

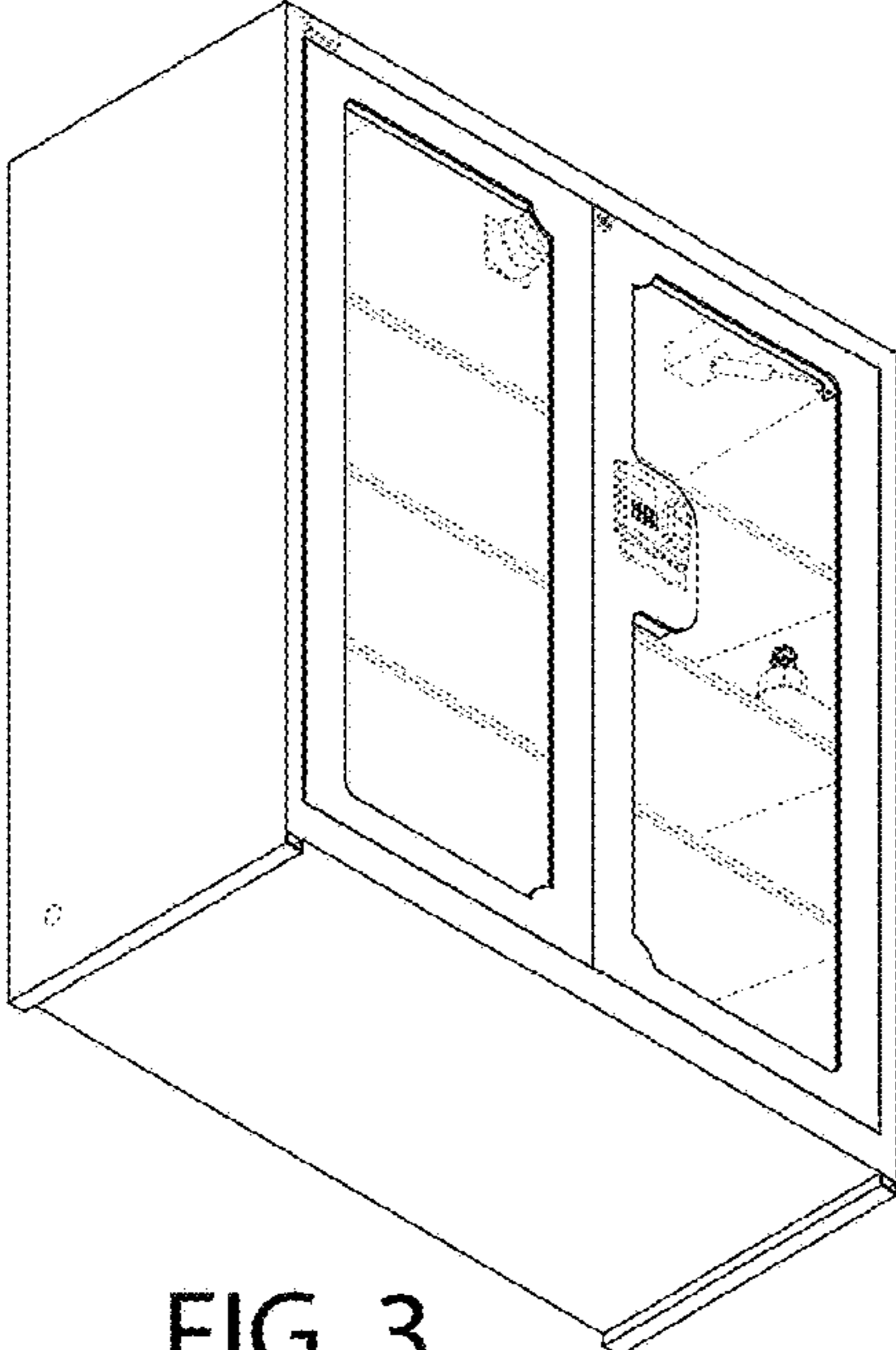


FIG. 3

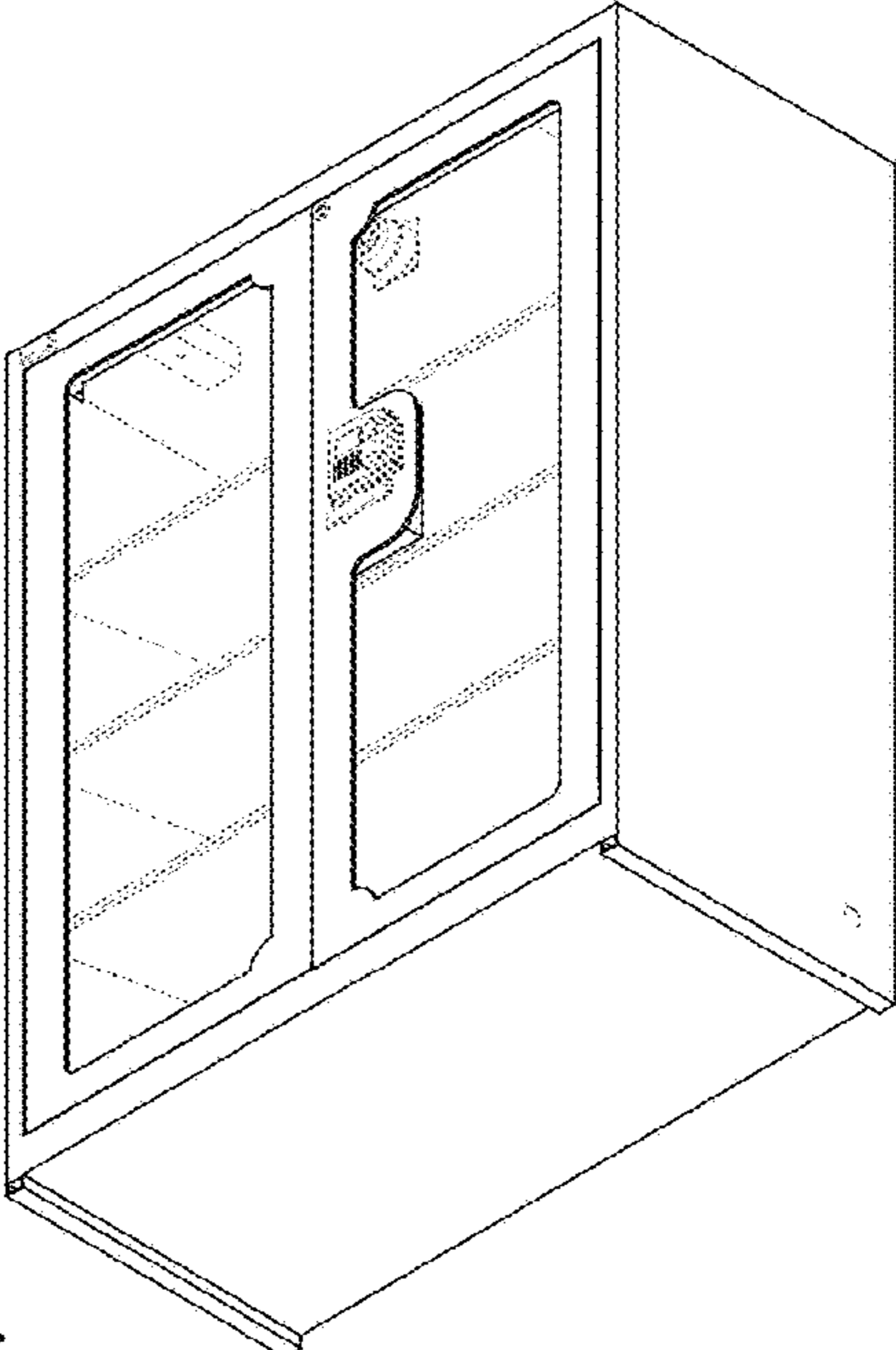


FIG. 4

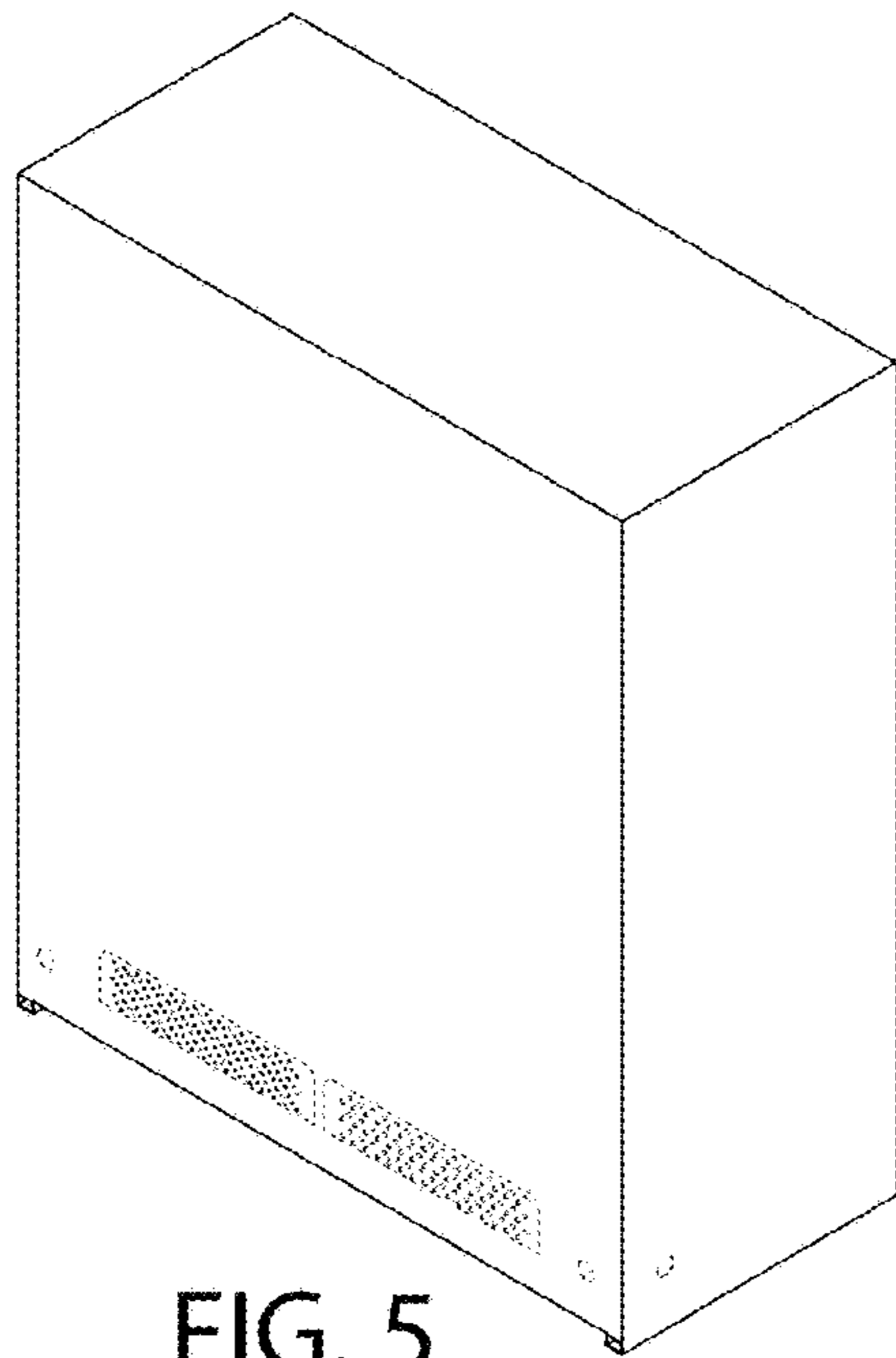


FIG. 5

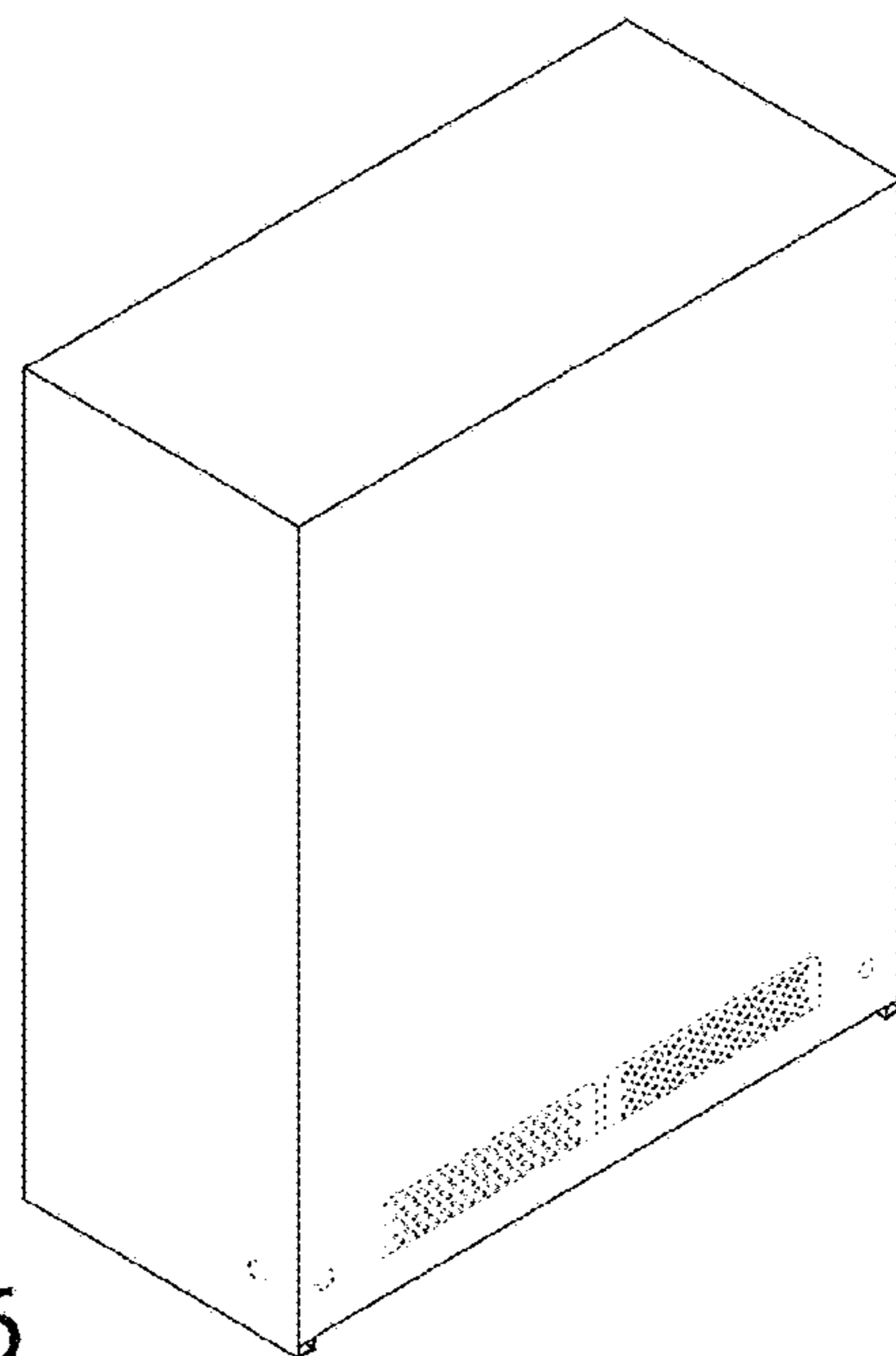


FIG. 6

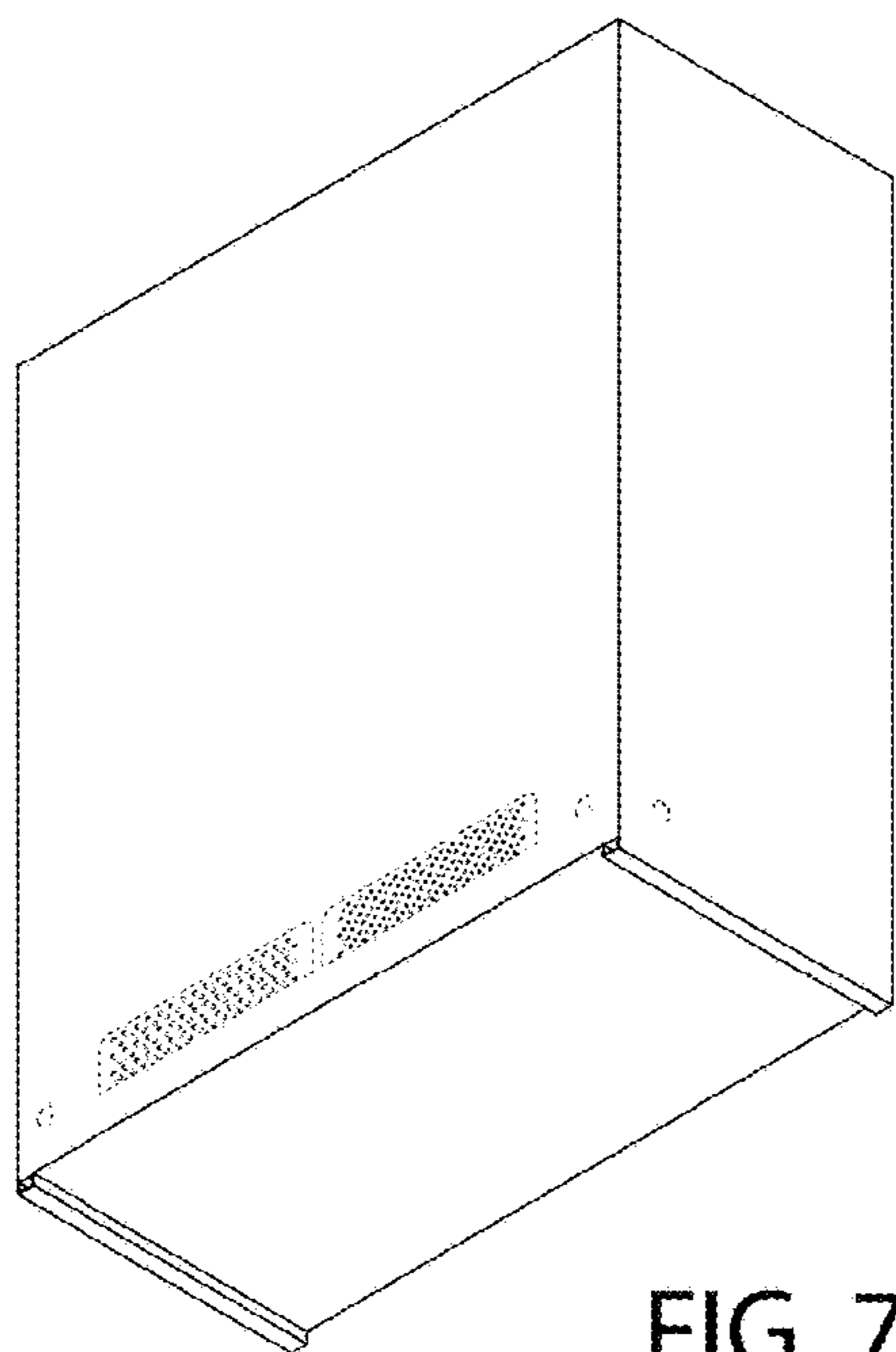


FIG. 7

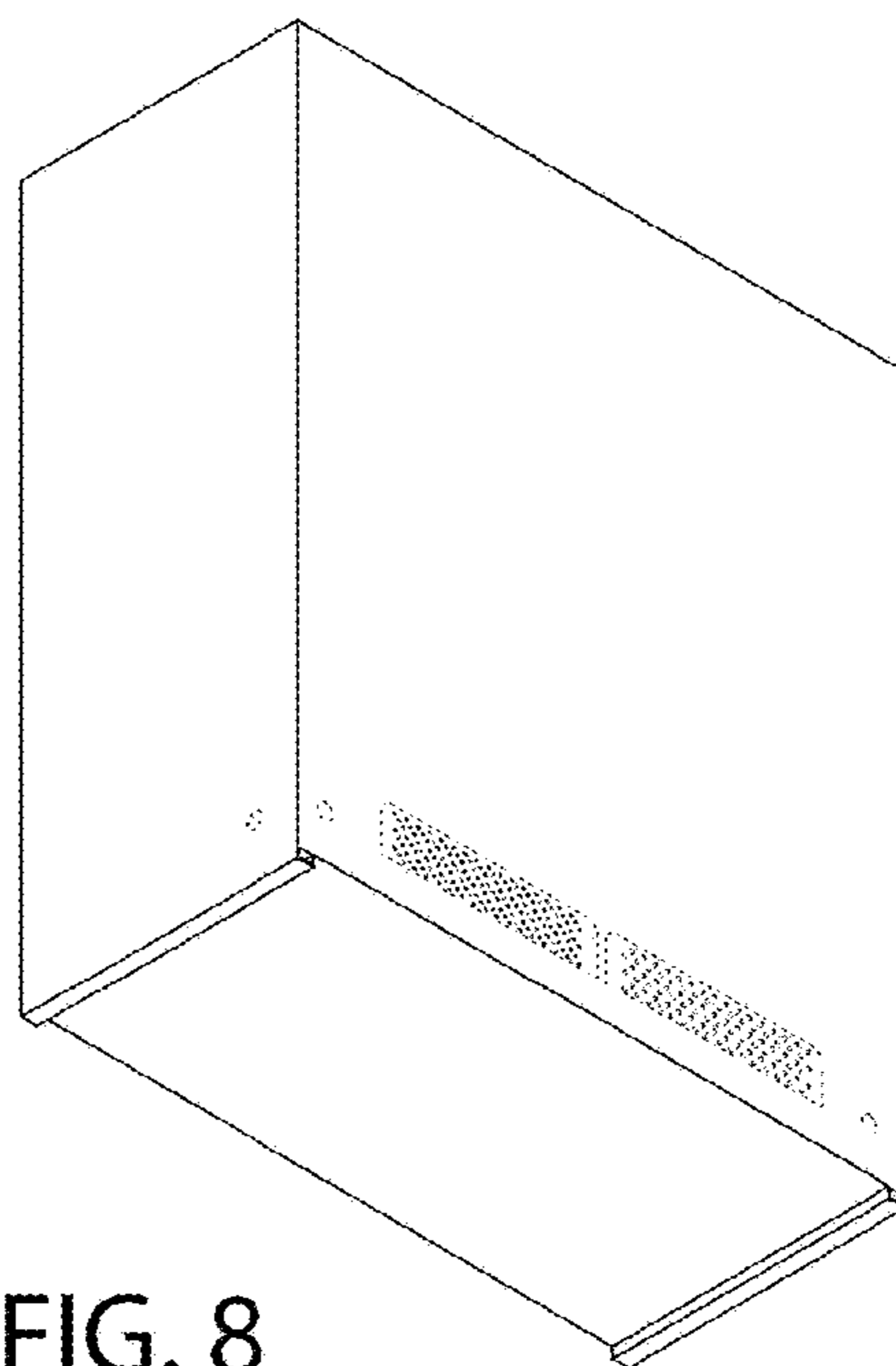


FIG. 8

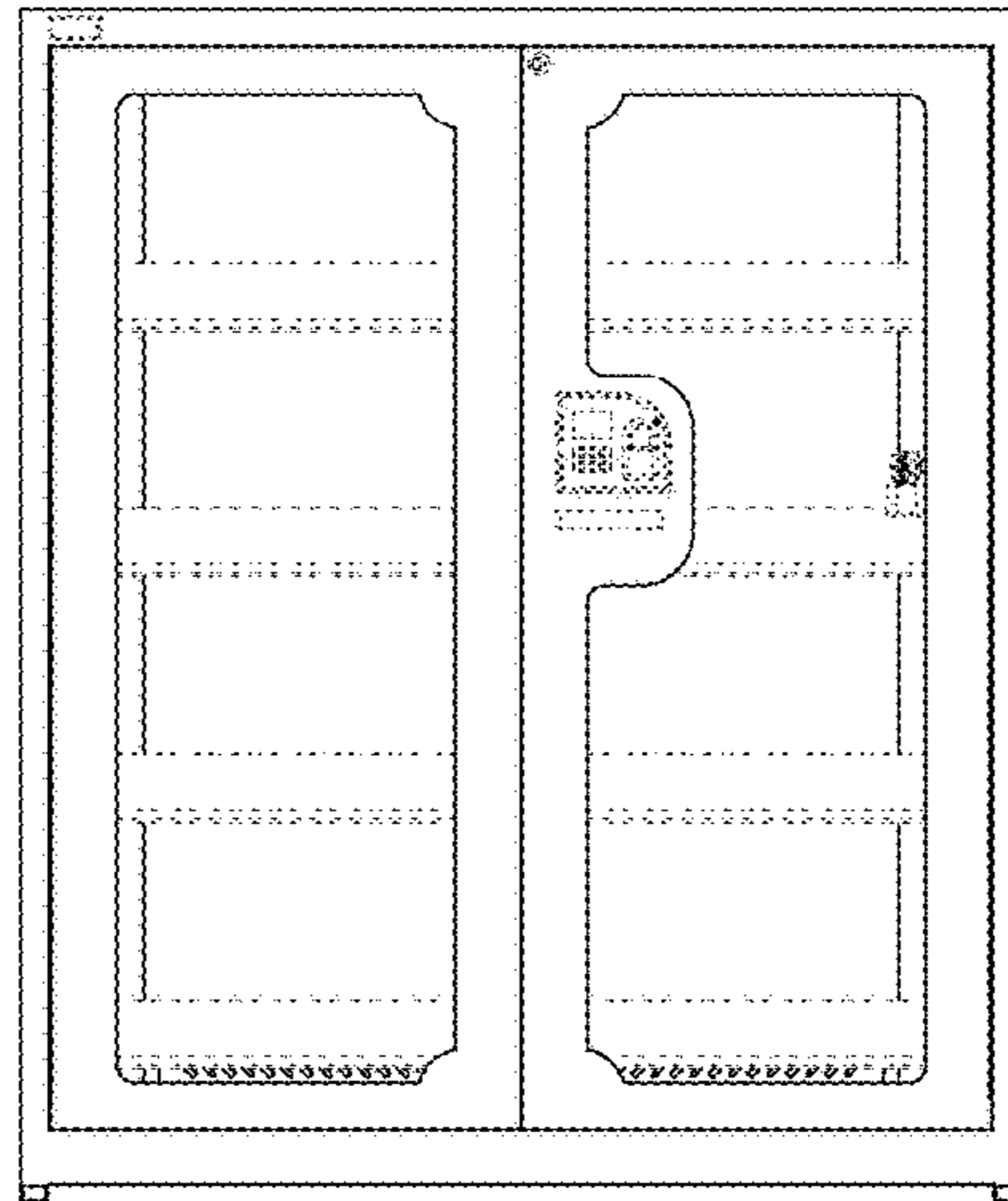


FIG. 9

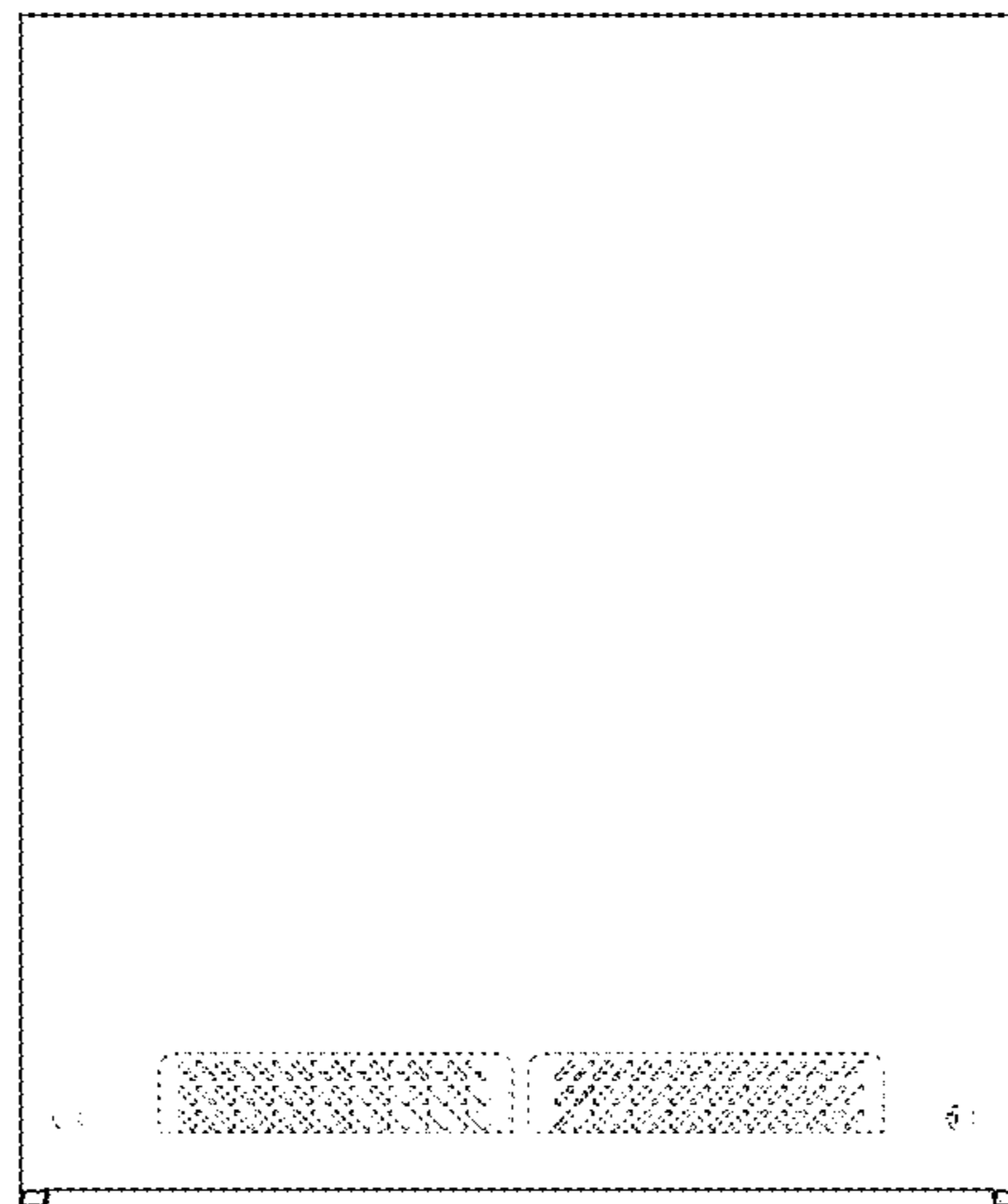


FIG. 10

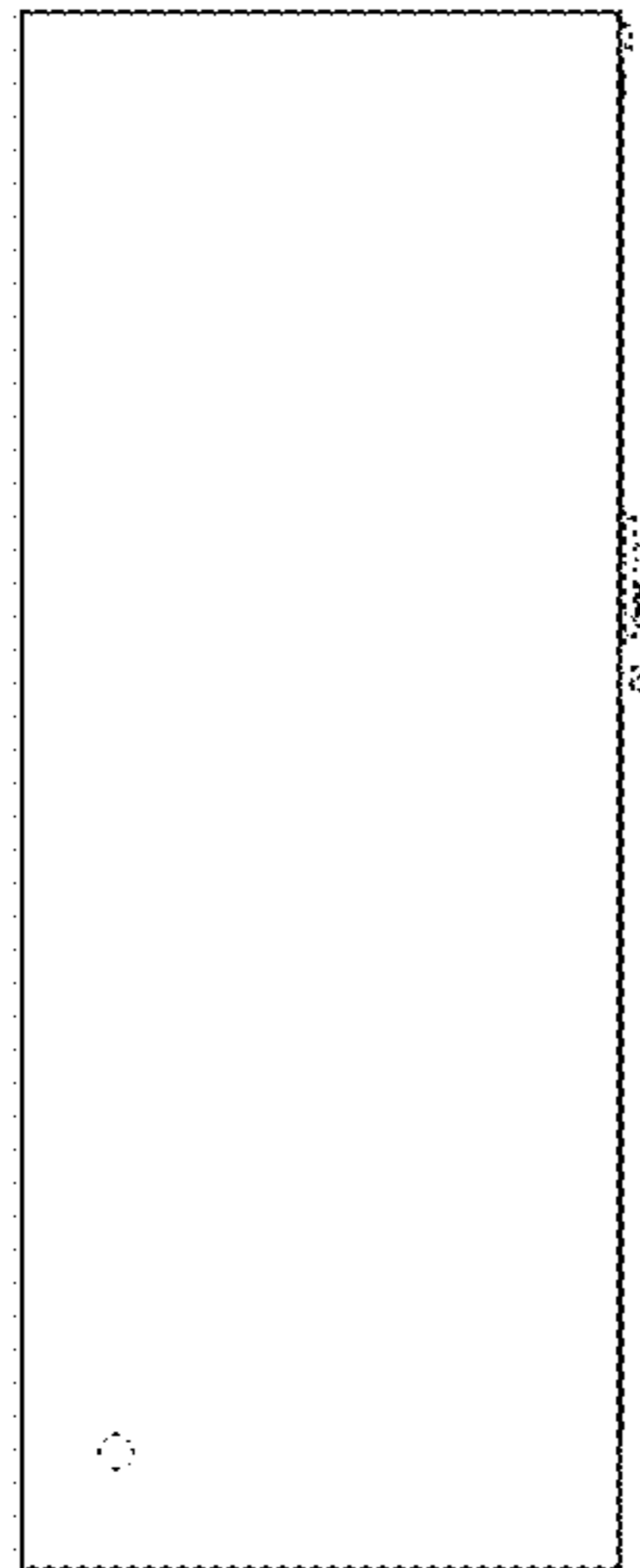


FIG. 11

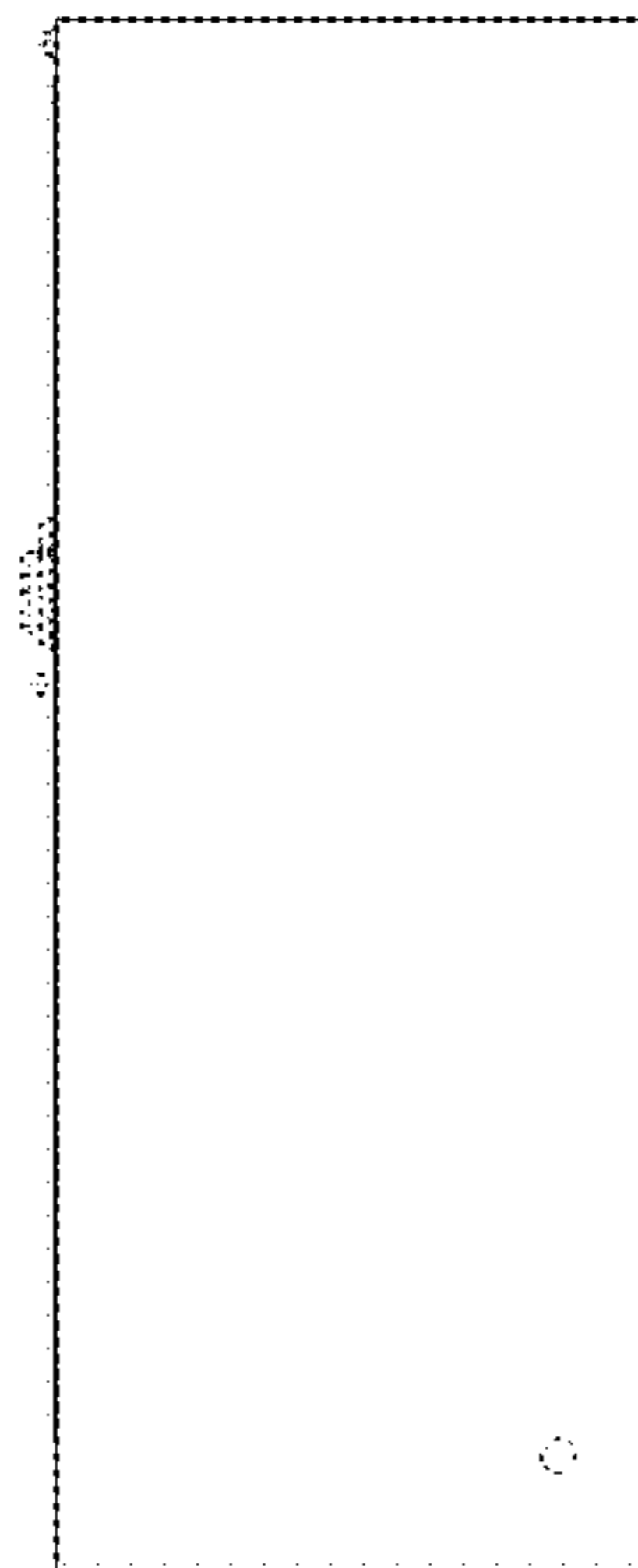


FIG. 12



FIG. 13

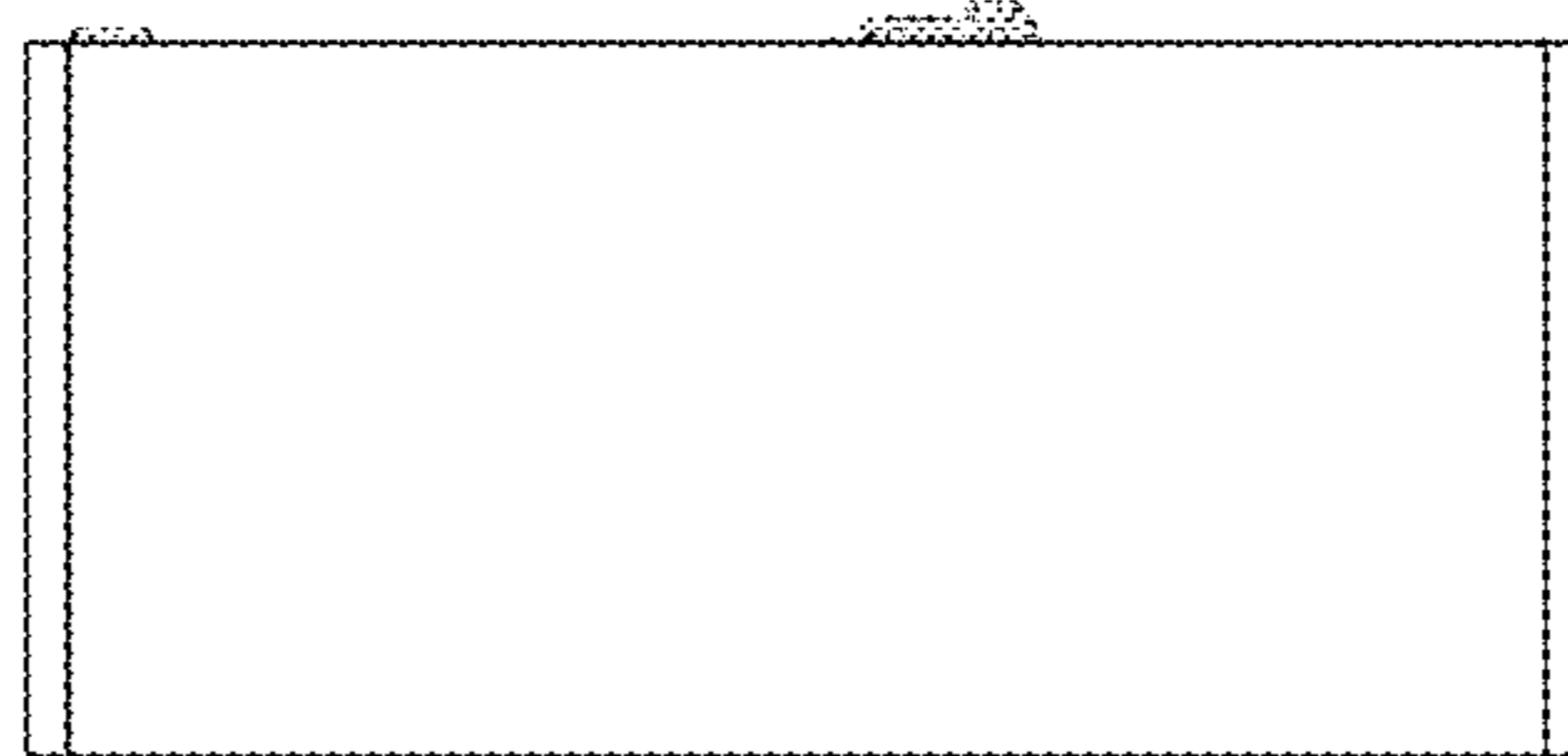


FIG. 14