



US00D850820S

(12) **United States Design Patent**  
**Chapman et al.**

(10) **Patent No.:** **US D850,820 S**

(45) **Date of Patent:** **\*\* Jun. 11, 2019**

- (54) **MODULAR SHELVING UNIT**
- (71) Applicant: **Older Adults Technology Services, Inc.**, Brooklyn, NY (US)
- (72) Inventors: **William Chapman**, New York, NY (US); **Alexander Glazebrook**, Delmar, NY (US); **Thomas Kamber**, Brooklyn, NY (US); **Kimberly Brennsteiner**, New York, NY (US)
- (73) Assignee: **OLDER ADULTS TECHNOLOGY SERVICES, INC.**, Brooklyn, NY (US)

D391,096 S *	2/1998	Neufeld	.....	D6/660
D458,048 S *	6/2002	Camfferman	.....	D6/662.1
D464,503 S *	10/2002	Novikoff	.....	D6/651.2
D478,433 S *	8/2003	Woods	.....	D6/671.2
D576,421 S *	9/2008	Grabowski	.....	D6/653.1
D591,979 S *	5/2009	Singler	.....	D6/672
D602,282 S *	10/2009	Lulloff	.....	D6/642
D641,988 S *	7/2011	Giroux	.....	D6/675
D679,116 S *	4/2013	Evangelidis	.....	D6/671.2
D686,437 S *	7/2013	Johnson	.....	D6/661
D801,728 S *	11/2017	Reyes	.....	D6/660
D807,085 S *	1/2018	Vandenharn	.....	D6/671.1
D820,010 S *	6/2018	Reyes	.....	D6/663
D821,118 S *	6/2018	Chiao	.....	D6/671

\* cited by examiner

(\*\*) Term: **15 Years**

(21) Appl. No.: **29/597,726**

(22) Filed: **Mar. 20, 2017**

(51) **LOC (11) Cl.** ..... **06-04**

(52) **U.S. Cl.**  
USPC ..... **D6/662**

(58) **Field of Classification Search**  
USPC ..... D6/384, 642, 651.2, 653.1, 660, 661,  
D6/662, 662.1, 664, 671.1, 671.2, 672,  
D6/718.4; D23/286  
CPC ..... A47B 47/05; A47B 77/02; A47B 2230/15;  
E04H 1/005  
See application file for complete search history.

(56) **References Cited**

**U.S. PATENT DOCUMENTS**

D144,029 S *	3/1946	Broadbent	.....	312/198
3,879,096 A *	4/1975	Blodee	.....	A47B 47/05
				312/257.1
3,971,605 A *	7/1976	Sasnett	.....	A47B 77/02
				312/198
4,078,342 A *	3/1978	Cohen	.....	A47B 77/02
				312/198
D384,846 S *	10/1997	Zaidman	.....	D6/384

*Primary Examiner* — Kevin K Rudzinski

*Assistant Examiner* — Paul D Bohannon

(74) *Attorney, Agent, or Firm* — Arent Fox LLP

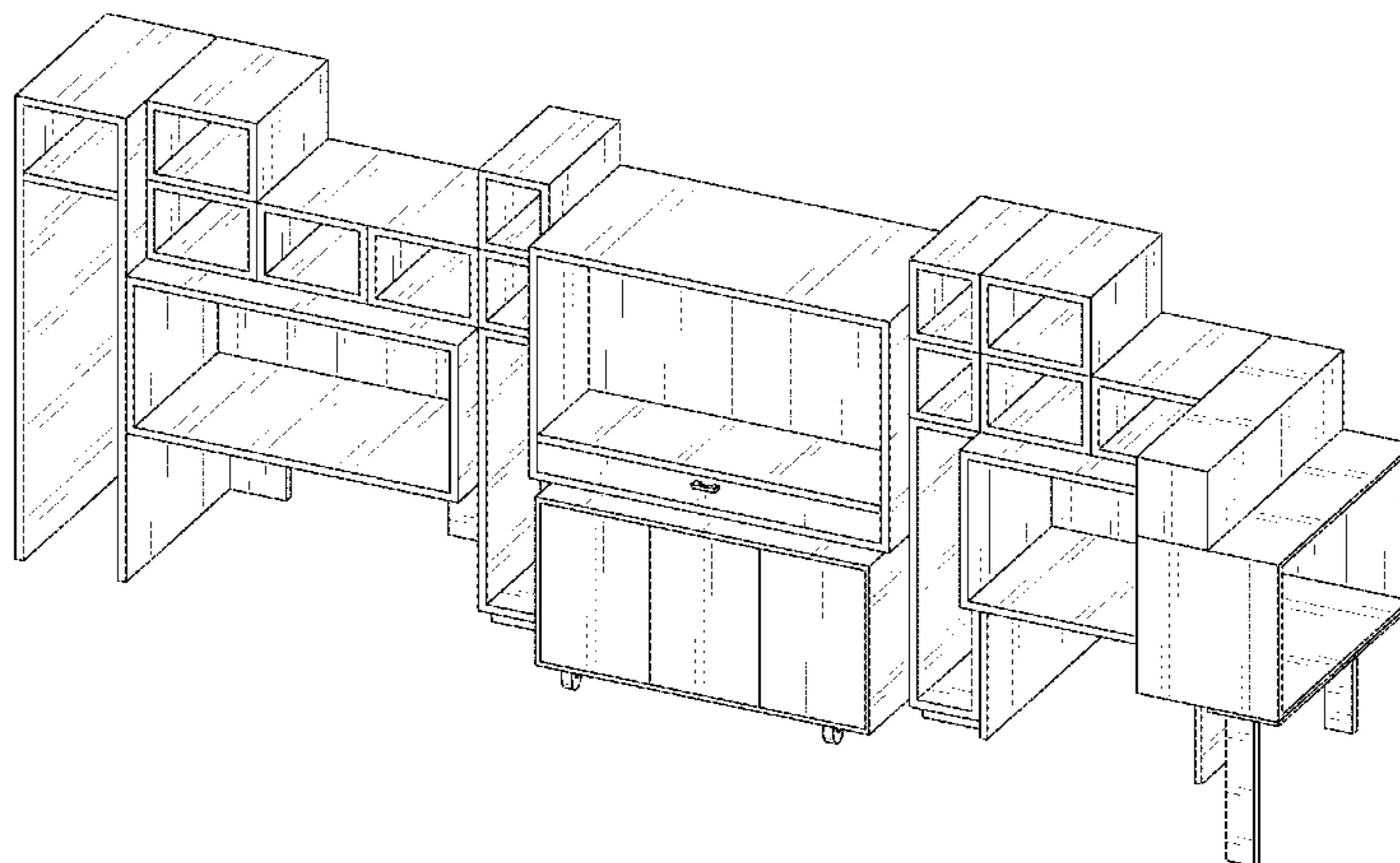
(57) **CLAIM**

The ornamental design for a modular shelving unit, as shown and described.

**DESCRIPTION**

FIG. 1 is a front view of a modular shelving unit showing my new design;  
 FIG. 2 is a left side view of the modular shelving unit shown in FIG. 1;  
 FIG. 3 is a right side view of the modular shelving unit shown in FIG. 1;  
 FIG. 4 is a perspective right front view of the modular shelving unit shown in FIG. 1;  
 FIG. 5 is a perspective left front view of the modular shelving unit shown in FIG. 1; and,  
 FIG. 6 is a top view of the modular shelving unit shown in FIG. 1.  
 The bottom and rear of the modular shelving unit forms no part of the claimed design.

**1 Claim, 6 Drawing Sheets**



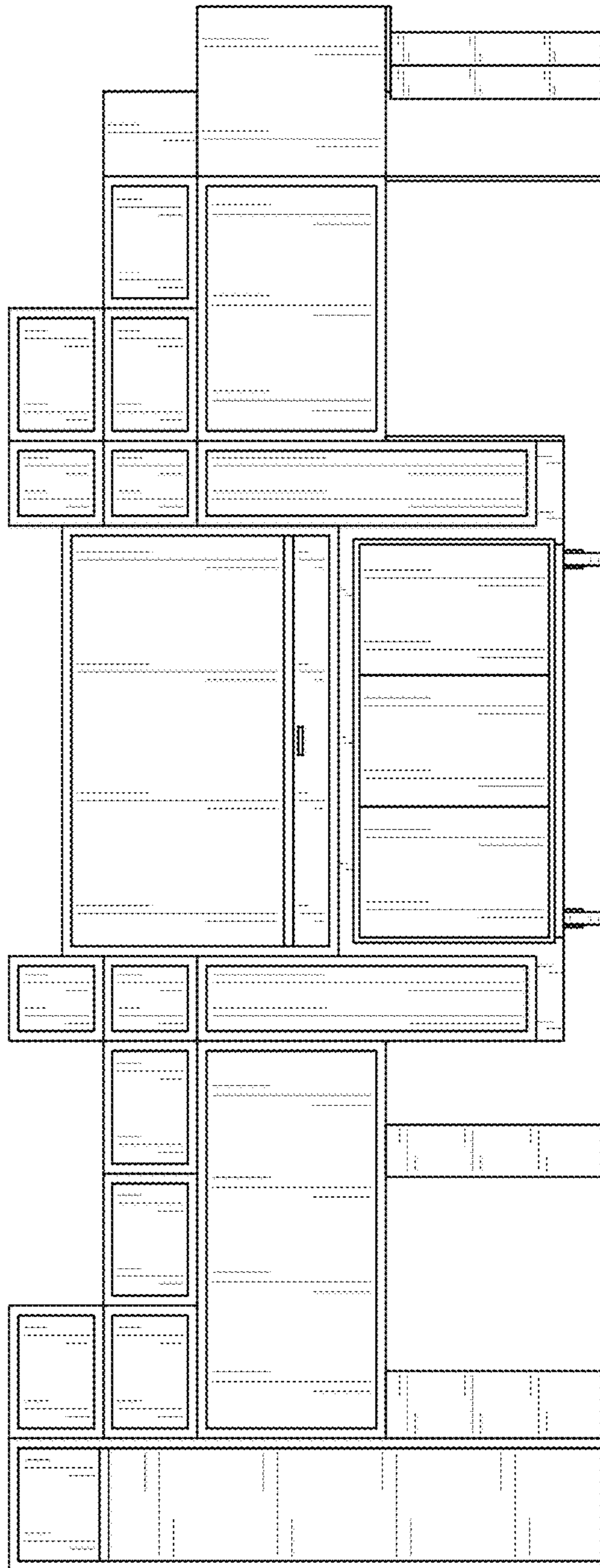


FIG. 1

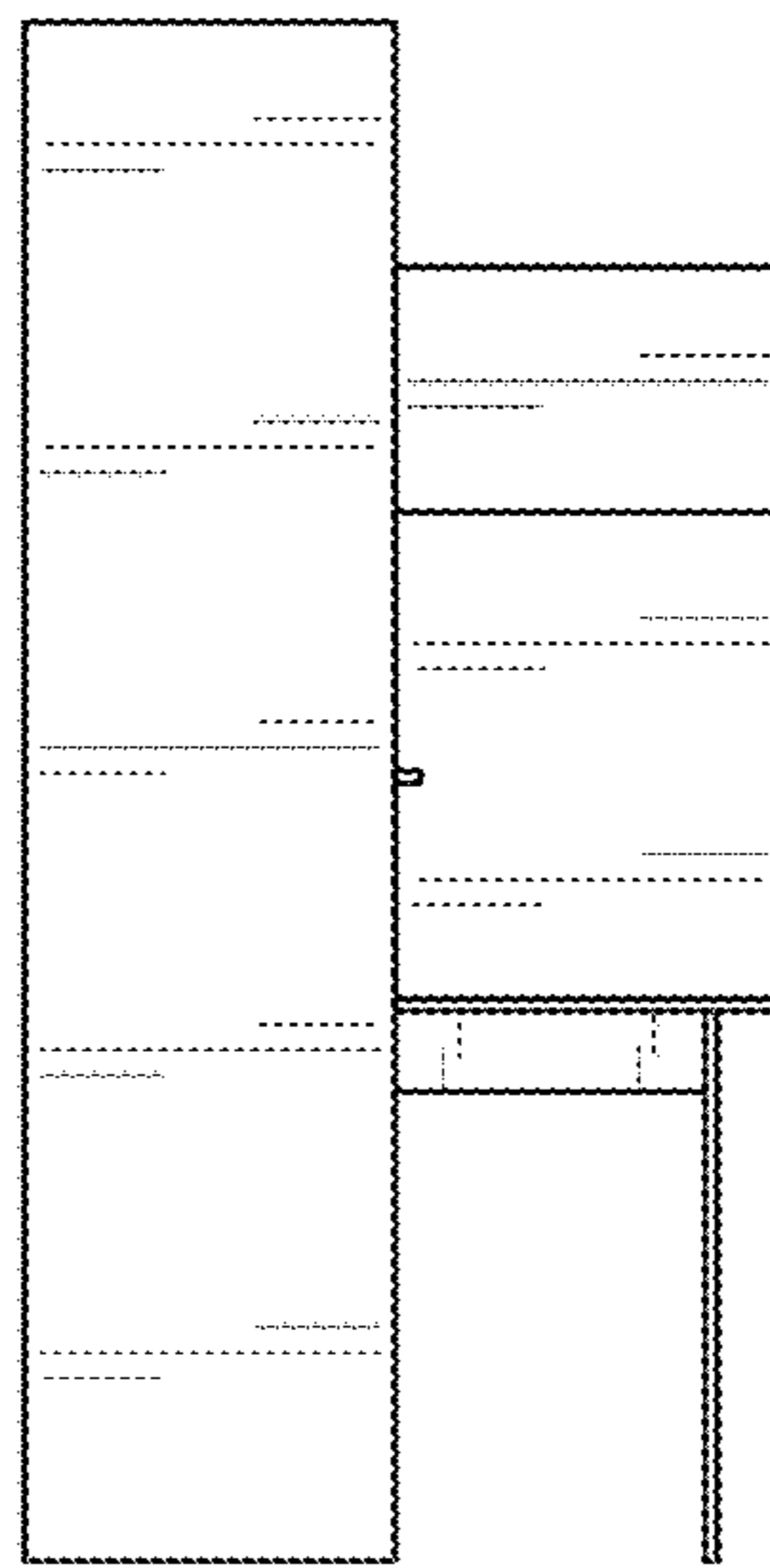


FIG. 2

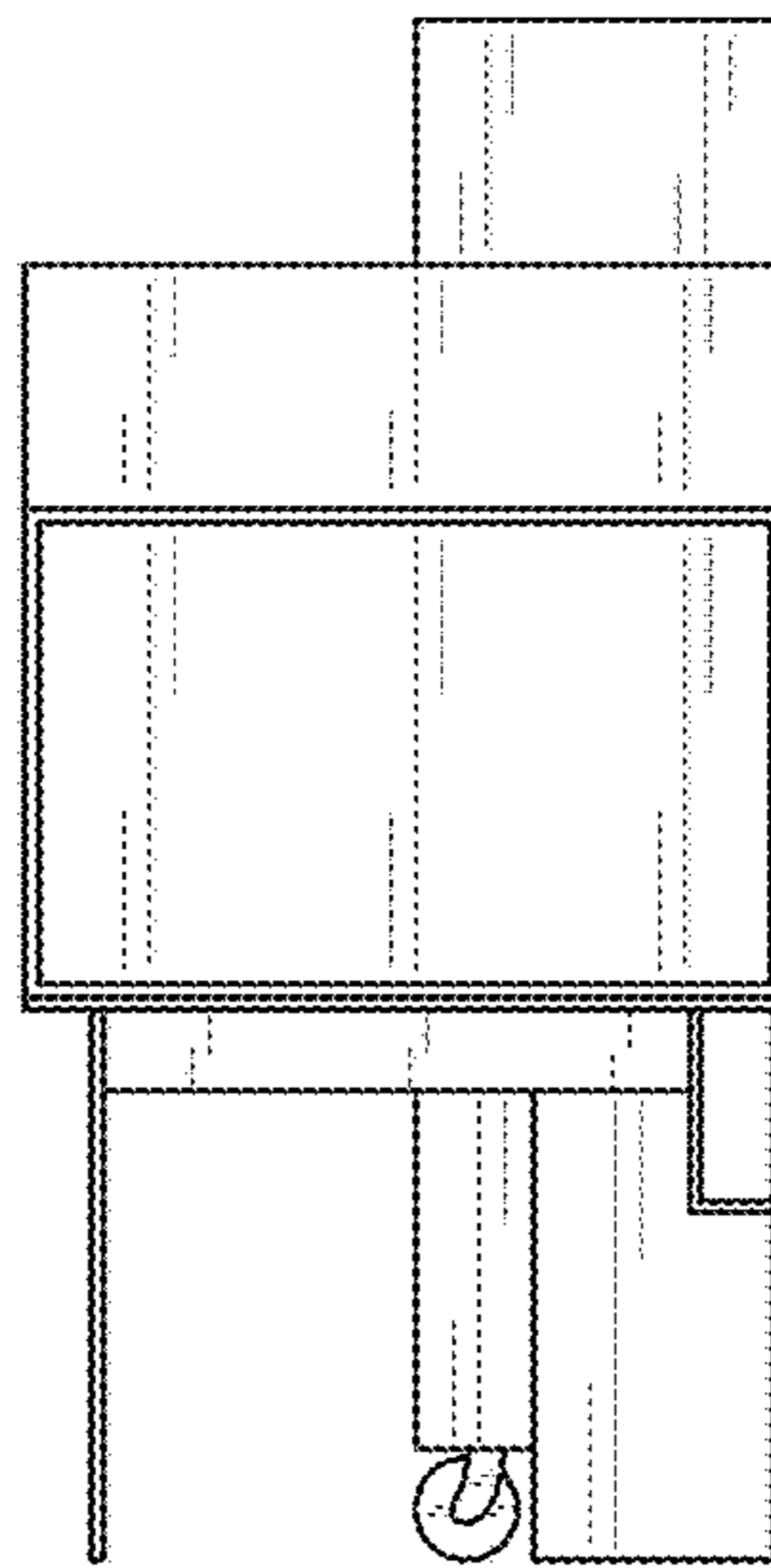


FIG. 3

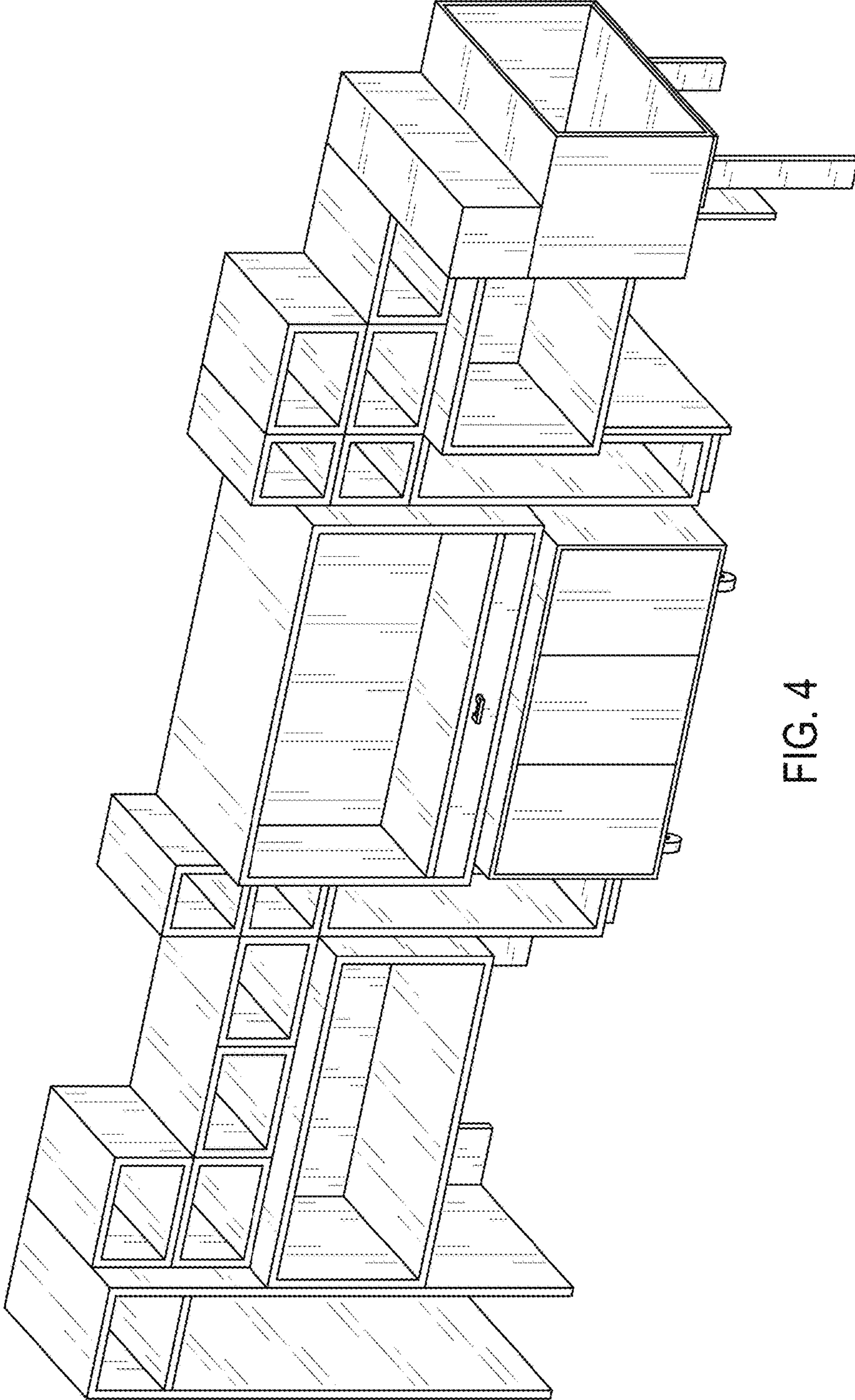


FIG. 4



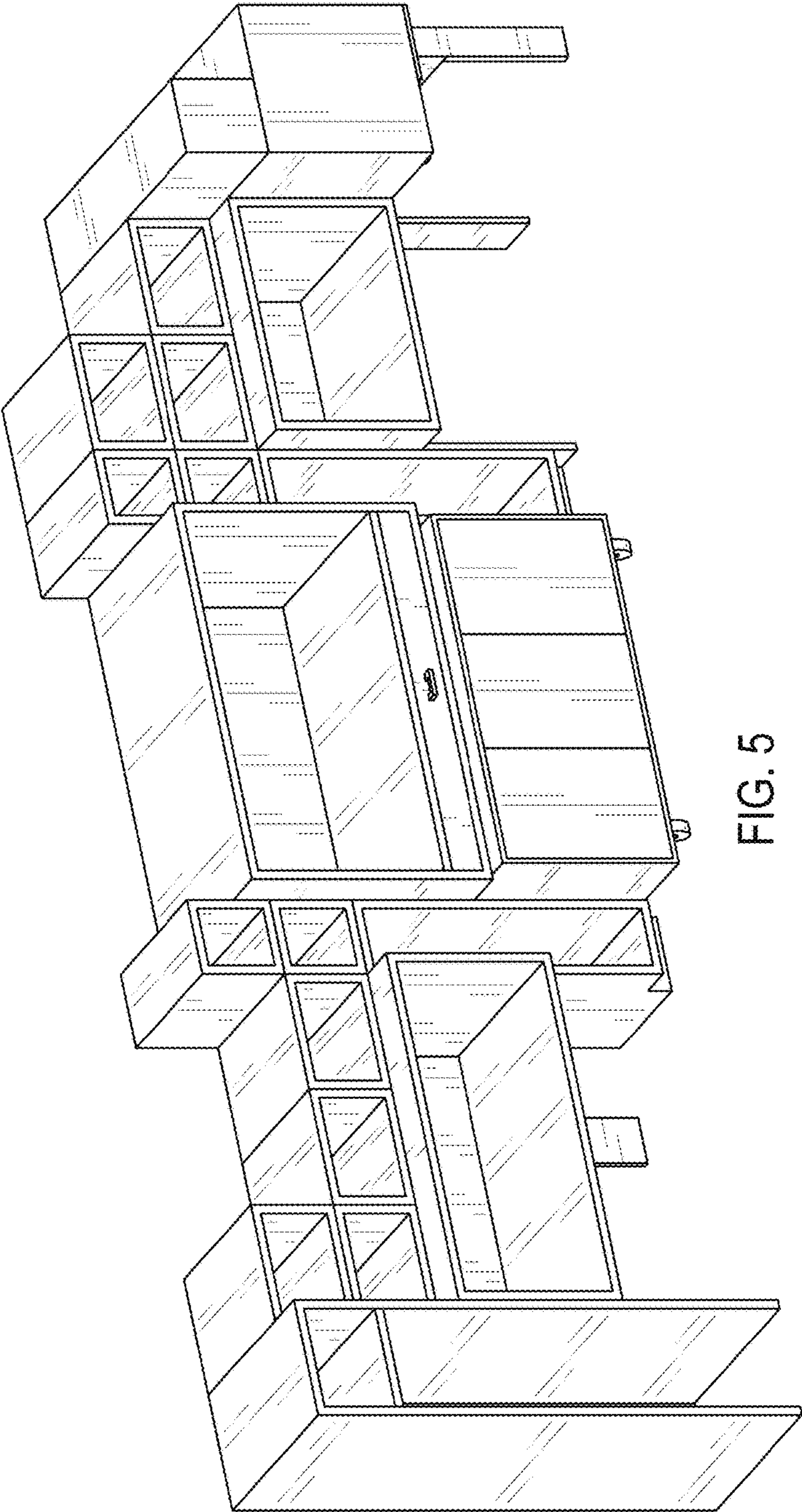


FIG. 5

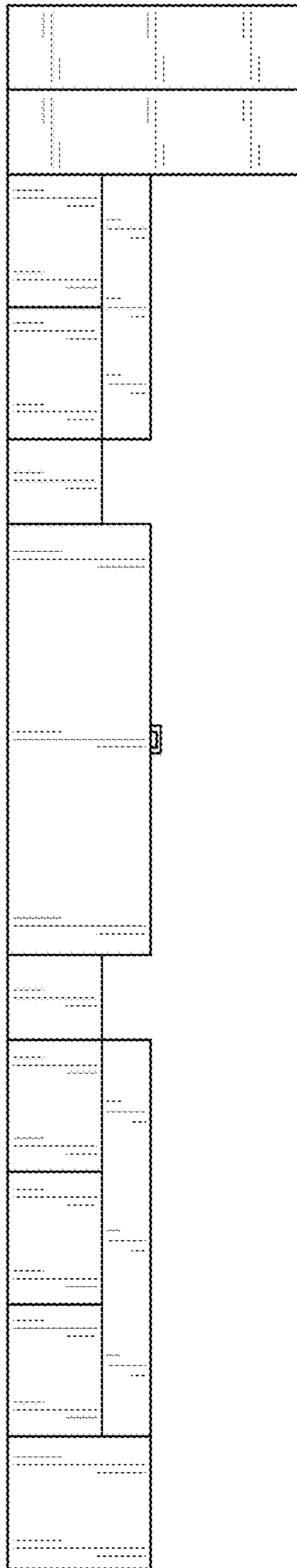


FIG. 6