



US00D850815S

(12) **United States Design Patent** (10) **Patent No.:** **US D850,815 S**  
**Nicoll et al.** (45) **Date of Patent:** **\*\* Jun. 11, 2019**

(54) **CABINET**  
(71) Applicant: **NewAge Products, Inc.**, Vaughan (CA)  
(72) Inventors: **David Wesley Nicoll**, Mississauga (CA); **Robert Vandenharm**, North York (CA)  
(73) Assignee: **NewAge Products, Inc.**, Vaughan, Ontario (CA)  
(\*\*) Term: **15 Years**  
(21) Appl. No.: **29/626,143**

D737,603 S \* 9/2015 Shah ..... D6/671.1  
D741,624 S \* 10/2015 Freimuth ..... D6/671.1  
D742,136 S \* 11/2015 Flora ..... D6/384  
9,267,313 B2 2/2016 Frison et al.  
9,337,920 B2 5/2016 Chen et al.  
9,468,305 B2 10/2016 Flora  
D770,815 S 11/2016 Jackson et al.  
9,486,075 B2 11/2016 Liu  
9,486,911 B1 11/2016 Liu  
D788,491 S \* 6/2017 Lim ..... D6/559  
D807,084 S 1/2018 Waldner  
D823,617 S \* 7/2018 Chiao ..... D6/559  
D824,194 S \* 7/2018 Kagan ..... D6/671.1  
D825,230 S \* 8/2018 Massaud ..... D6/675  
D828,056 S \* 9/2018 Chiao ..... D6/671.1  
2015/0351538 A1 12/2015 Wells et al.

(22) Filed: **Nov. 15, 2017**  
(51) **LOC (11) Cl.** ..... **06-06**  
(52) **U.S. Cl.**  
USPC ..... **D6/559**  
(58) **Field of Classification Search**  
USPC ..... D6/675, 675.1, 675.2, 672, 673, 663  
CPC ..... A47F 5/0018; A47B 57/58; A47B 43/00  
See application file for complete search history.

**FOREIGN PATENT DOCUMENTS**

WO 2008089598 A1 7/2008

\* cited by examiner

*Primary Examiner* — Kelley A Donnelly  
(74) *Attorney, Agent, or Firm* — Howard & Howard  
Attorneys PLLC

(56) **References Cited**

**U.S. PATENT DOCUMENTS**

D254,885 S \* 5/1980 Decker ..... D14/184  
D286,714 S 11/1986 Verholt  
D412,629 S 8/1999 Zaidman  
D441,221 S 5/2001 O'Hare et al.  
D513,913 S \* 1/2006 Harwanko ..... D6/559  
D517,345 S \* 3/2006 Verbeek ..... D6/668  
D574,629 S 8/2008 Kalkwarf  
D588,834 S 3/2009 Holt  
D624,771 S \* 10/2010 Lim ..... D6/561  
D689,720 S \* 9/2013 Lim ..... D6/705  
D712,676 S \* 9/2014 Flora ..... D6/384  
D732,854 S 6/2015 Sin et al.  
9,068,378 B2 6/2015 Milani et al.  
D733,470 S 7/2015 Troyner et al.

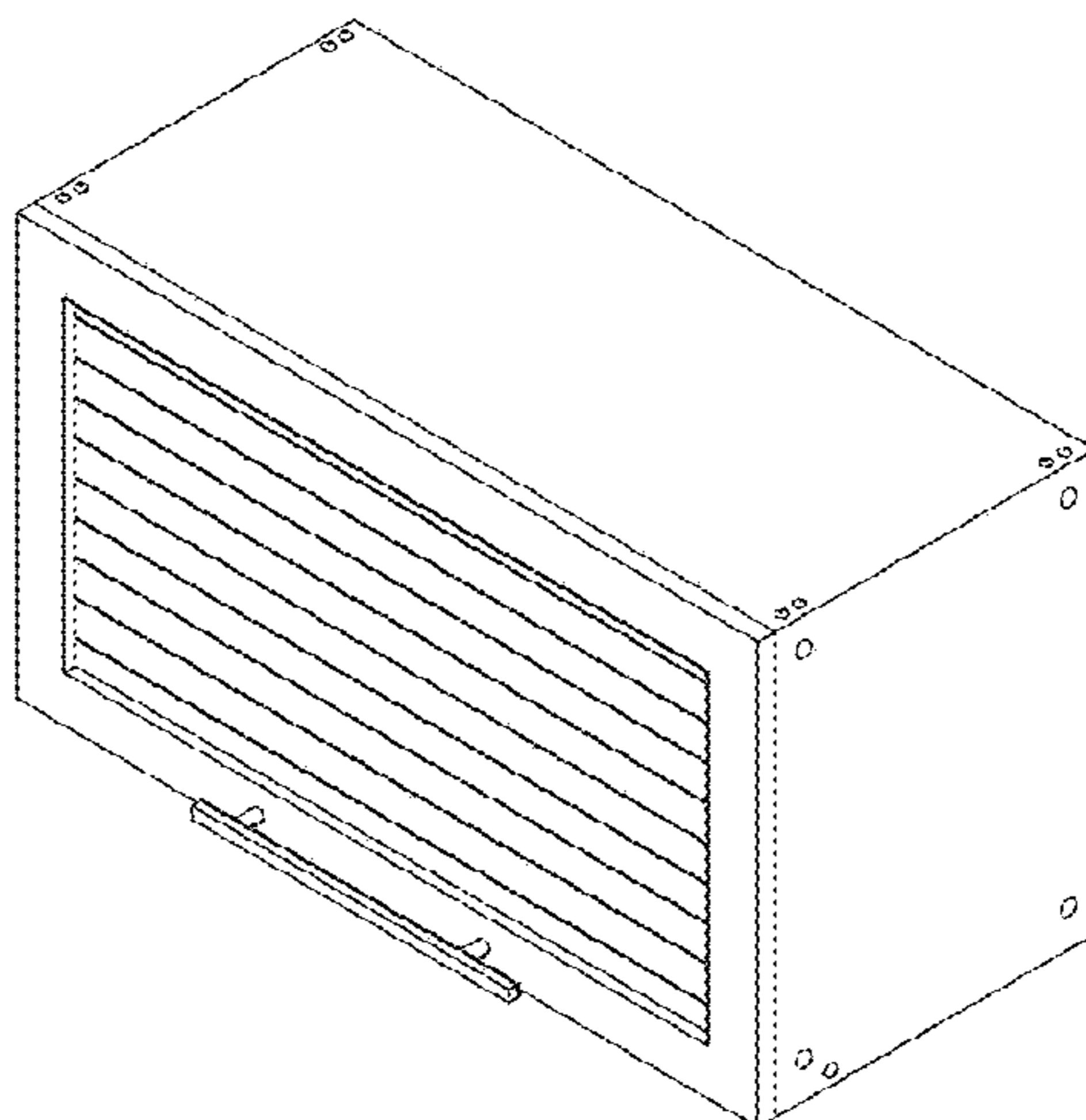
(57) **CLAIM**

An ornamental design for a cabinet, as shown and described.

**DESCRIPTION**

FIG. 1 is a perspective view of a cabinet;  
FIG. 2 is a front elevational view of the cabinet of FIG. 1;  
FIG. 3 is a rear elevational view of the cabinet of FIG. 1;  
FIG. 4 is a left side elevational view of the cabinet of FIG. 1;  
FIG. 5 is a right side elevational view of the cabinet of FIG. 1;  
FIG. 6 is a top plan view of the cabinet of FIG. 1; and,  
FIG. 7 is a bottom plan view of the cabinet of FIG. 1.

**1 Claim, 2 Drawing Sheets**



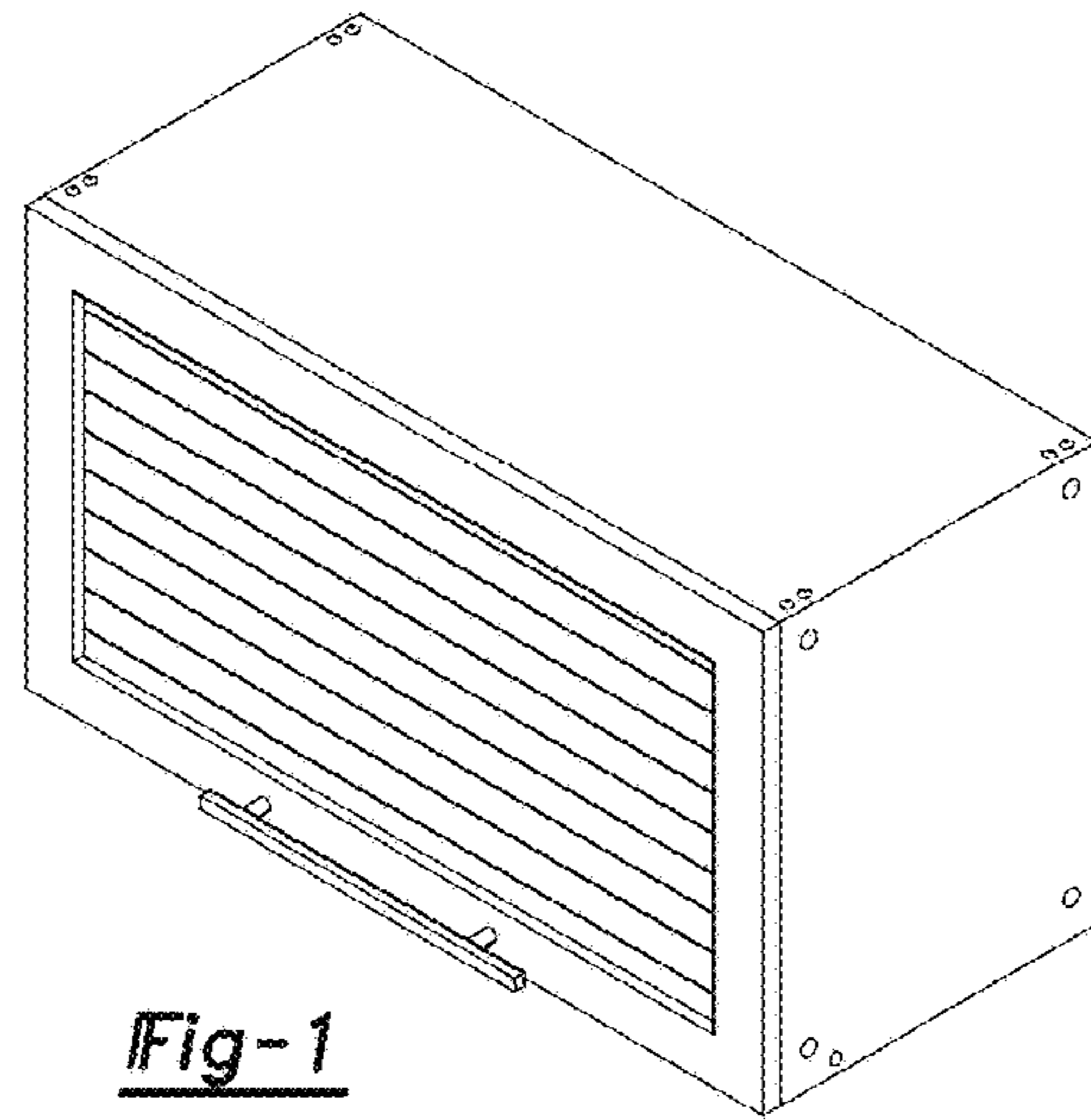


Fig-1

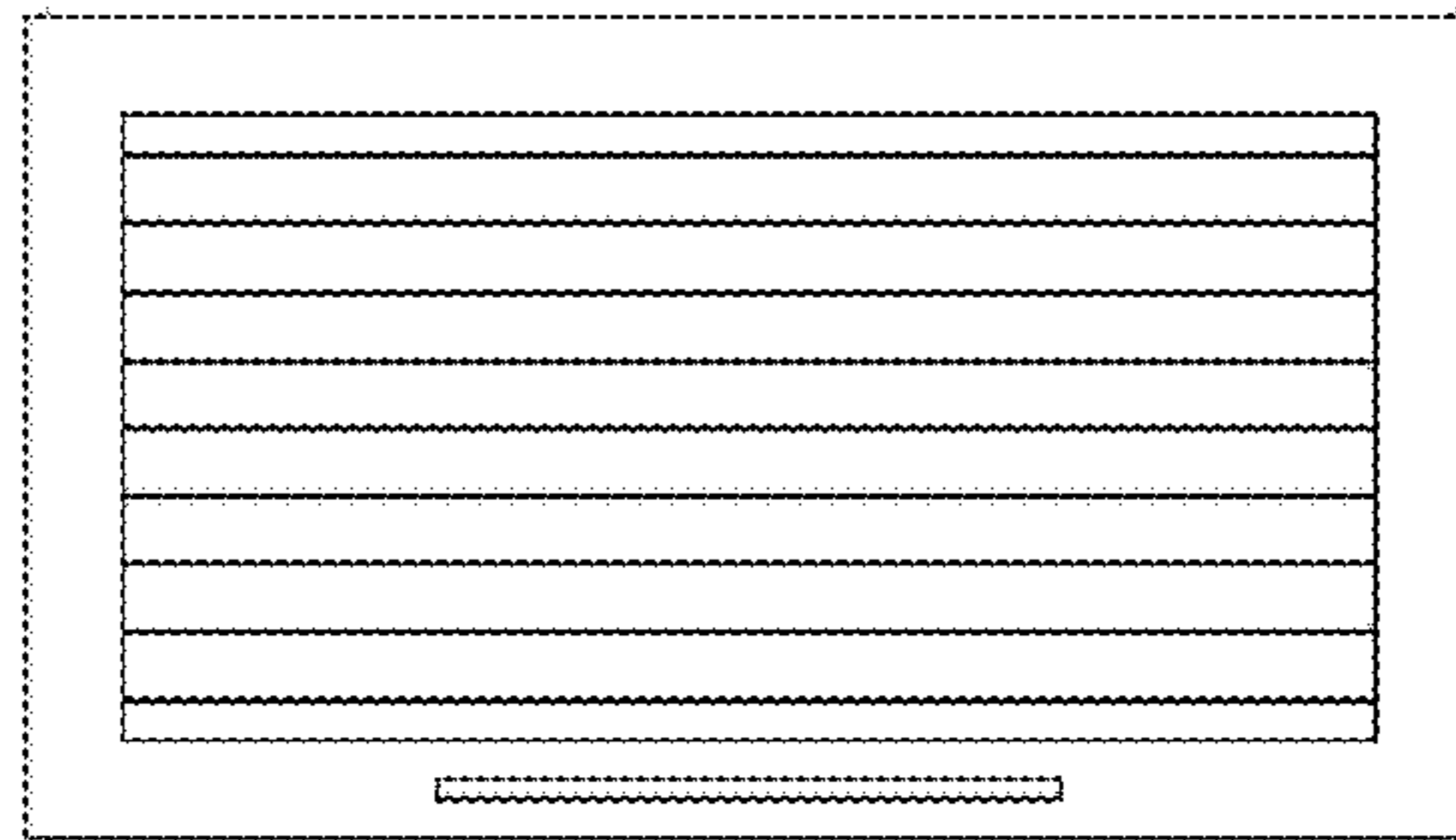


Fig-2

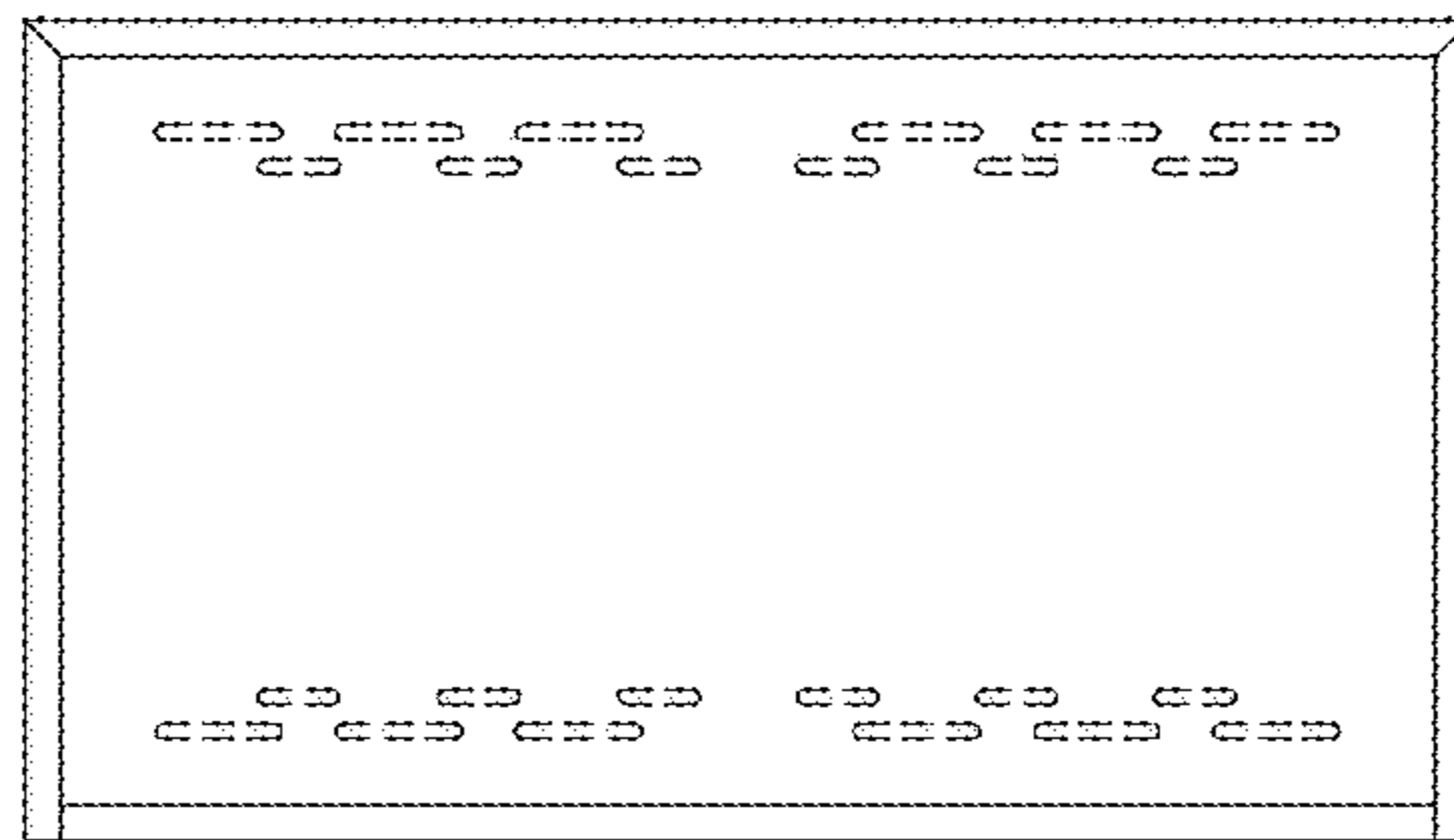


Fig-3

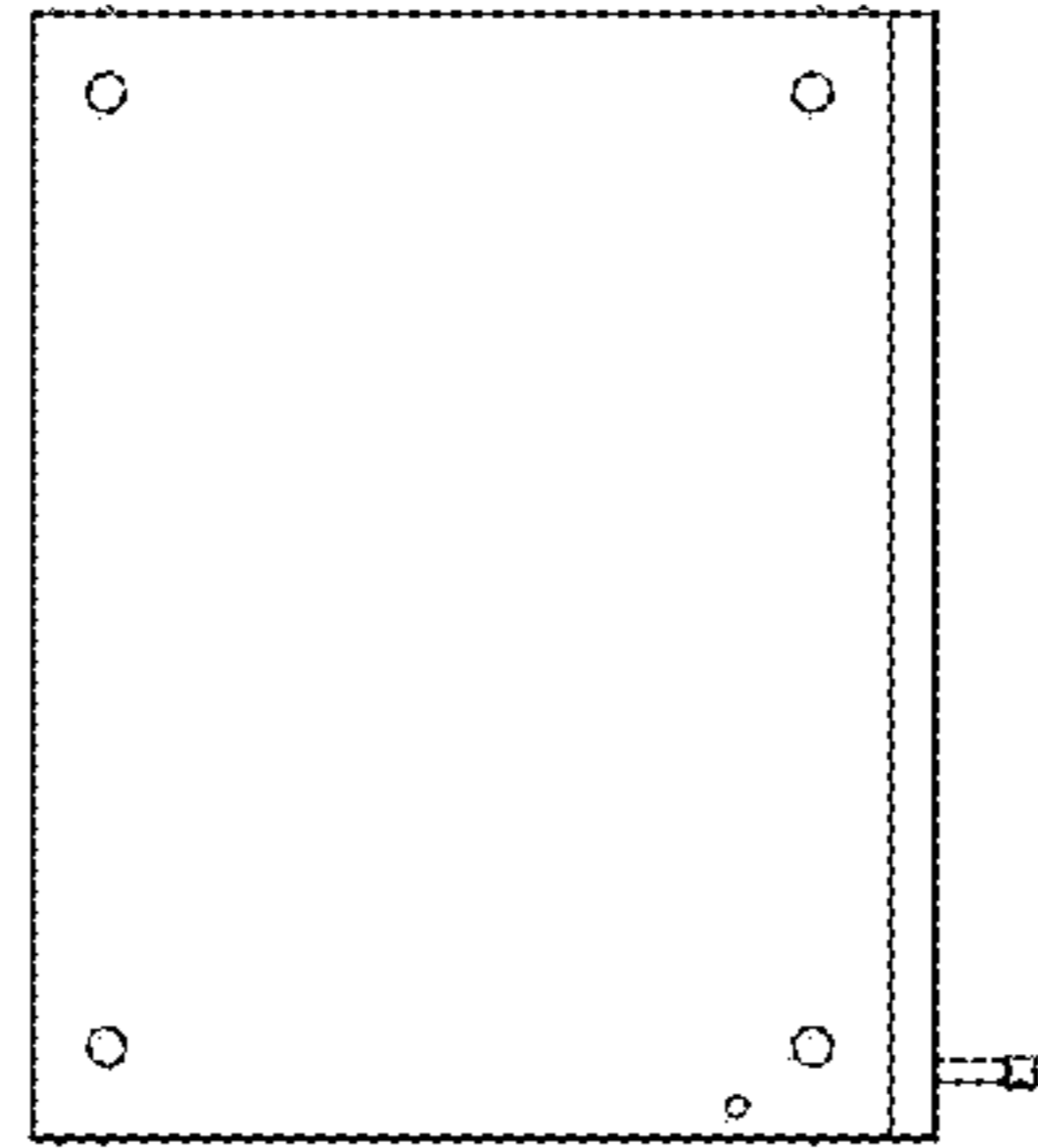


Fig-4

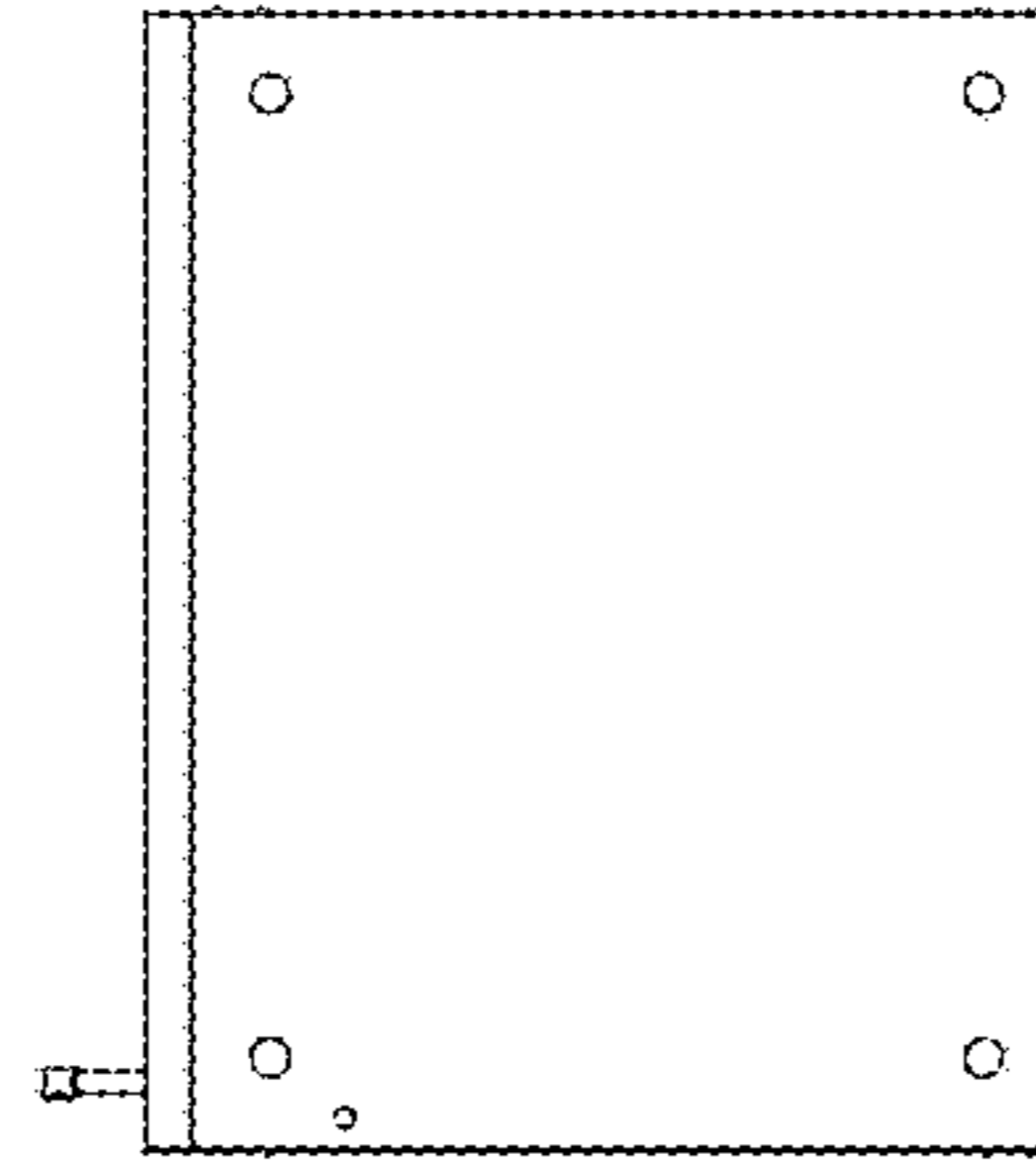


Fig-5

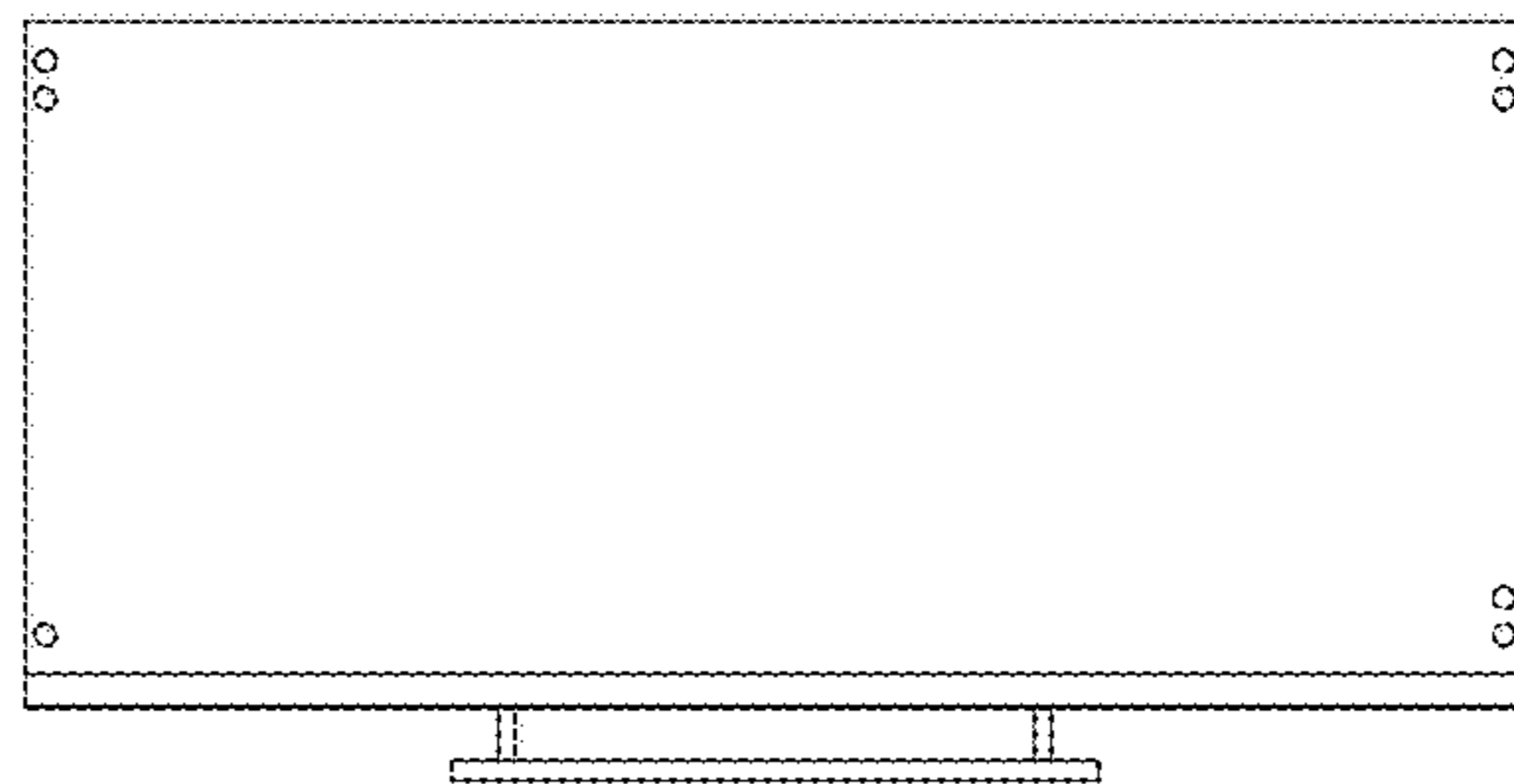


Fig-6

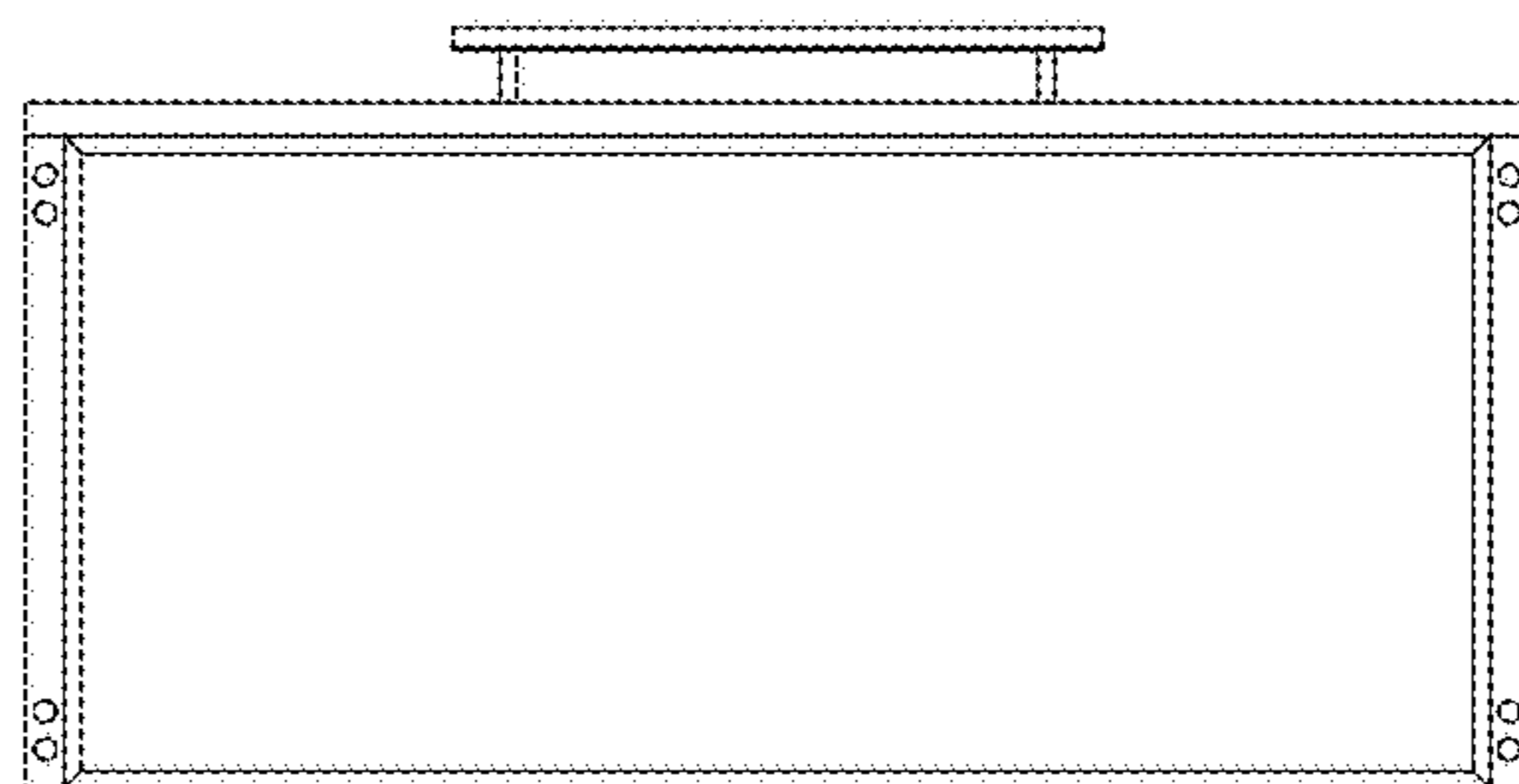


Fig-7