



US00D850811S

(12) **United States Design Patent** (10) **Patent No.:** **US D850,811 S**
Alluigi (45) **Date of Patent:** **** Jun. 11, 2019**

(54) **TRIGGER DISPENSER STOP**

(71) Applicant: **GUALA DISPENSING S.P.A.**,
Alessandria (IT)

(72) Inventor: **Riccardo Alluigi**, Alessandria (IT)

(73) Assignee: **GUALA DISPENSING S.P.A.**,
Alessandria (IT)

(**) Term: **15 Years**

(21) Appl. No.: **35/504,666**

(22) Filed: **Jan. 29, 2018**

(80) **Hague Agreement Data**
 Int. Filing Date: **Jan. 29, 2018**
 Int. Reg. No.: **DM/100119**
 Int. Reg. Date: **Jan. 29, 2018**
 Int. Reg. Pub. Date: **Mar. 23, 2018**

(30) **Foreign Application Priority Data**
 Oct. 10, 2017 (WO) DM/098178

(51) **LOC (11) Cl.** **09-07**

(52) **U.S. Cl.**
 USPC **D6/434**

(58) **Field of Classification Search**
 USPC D9/434, 439, 448, 685, 682; D8/396;
 D22/108
 CPC B05B 11/0005; B05B 11/3009; B05B
 11/3025; B05B 11/3059; B05B 11/3057
 See application file for complete search history.

(56) **References Cited**
 U.S. PATENT DOCUMENTS

5,823,396 A * 10/1998 Vollmerhaus B05B 11/3059
 222/153.13

D406,051 S * 2/1999 Ross D8/395

D625,996 S * 10/2010 Witty D8/396

D773,287 S * 12/2016 Lida B05B 11/3059
 D8/363

D836,431 S * 12/2018 Frost D8/396

2008/0272152 A1 * 11/2008 Alluigi B05B 11/3009
 222/321.8

* cited by examiner

Primary Examiner — Mary Ann Calabrese
 (74) *Attorney, Agent, or Firm* — Thomas | Horstemeyer,
 LLP

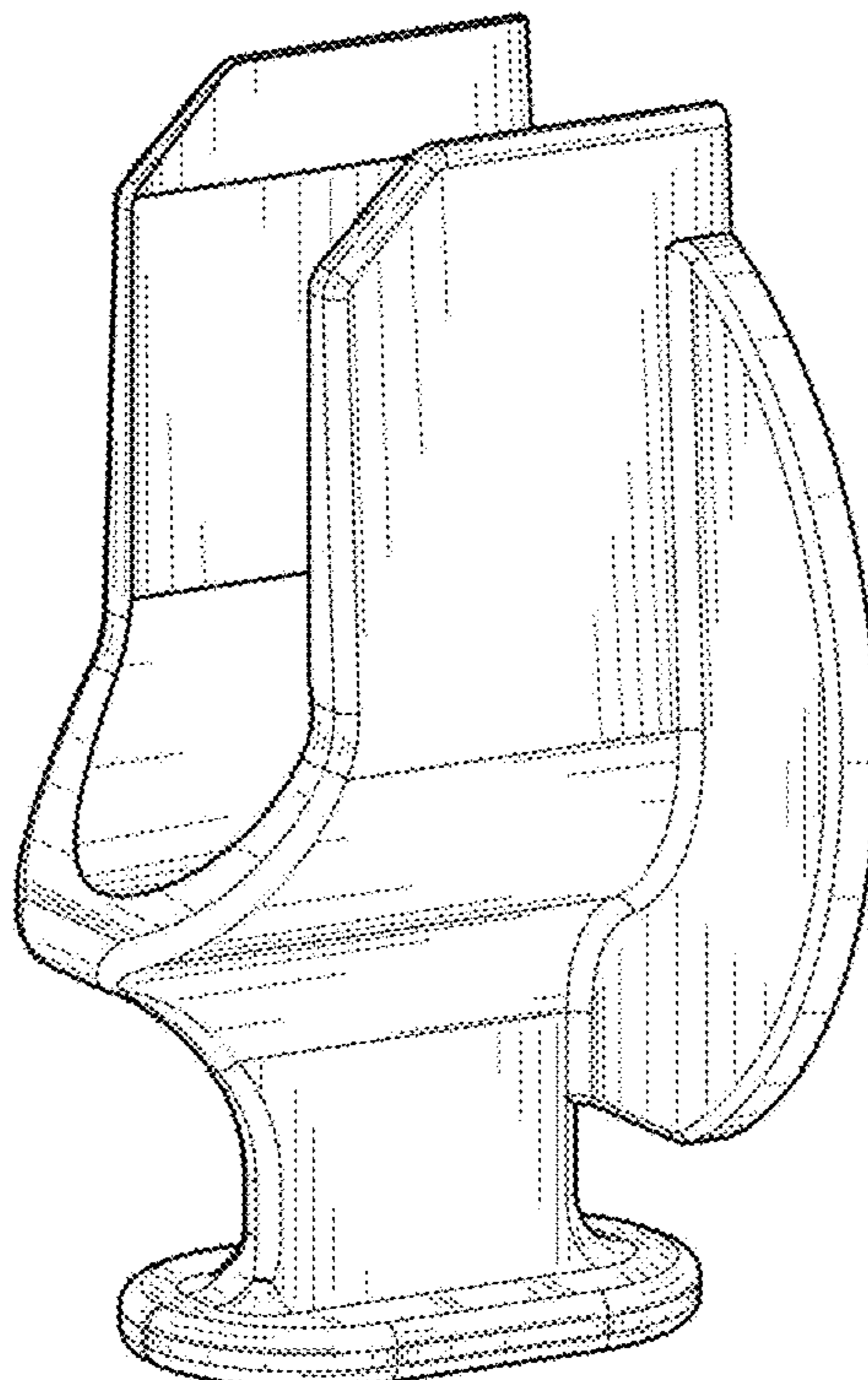
(57) **CLAIM**

The ornamental design for a trigger dispenser stop, as shown and described.

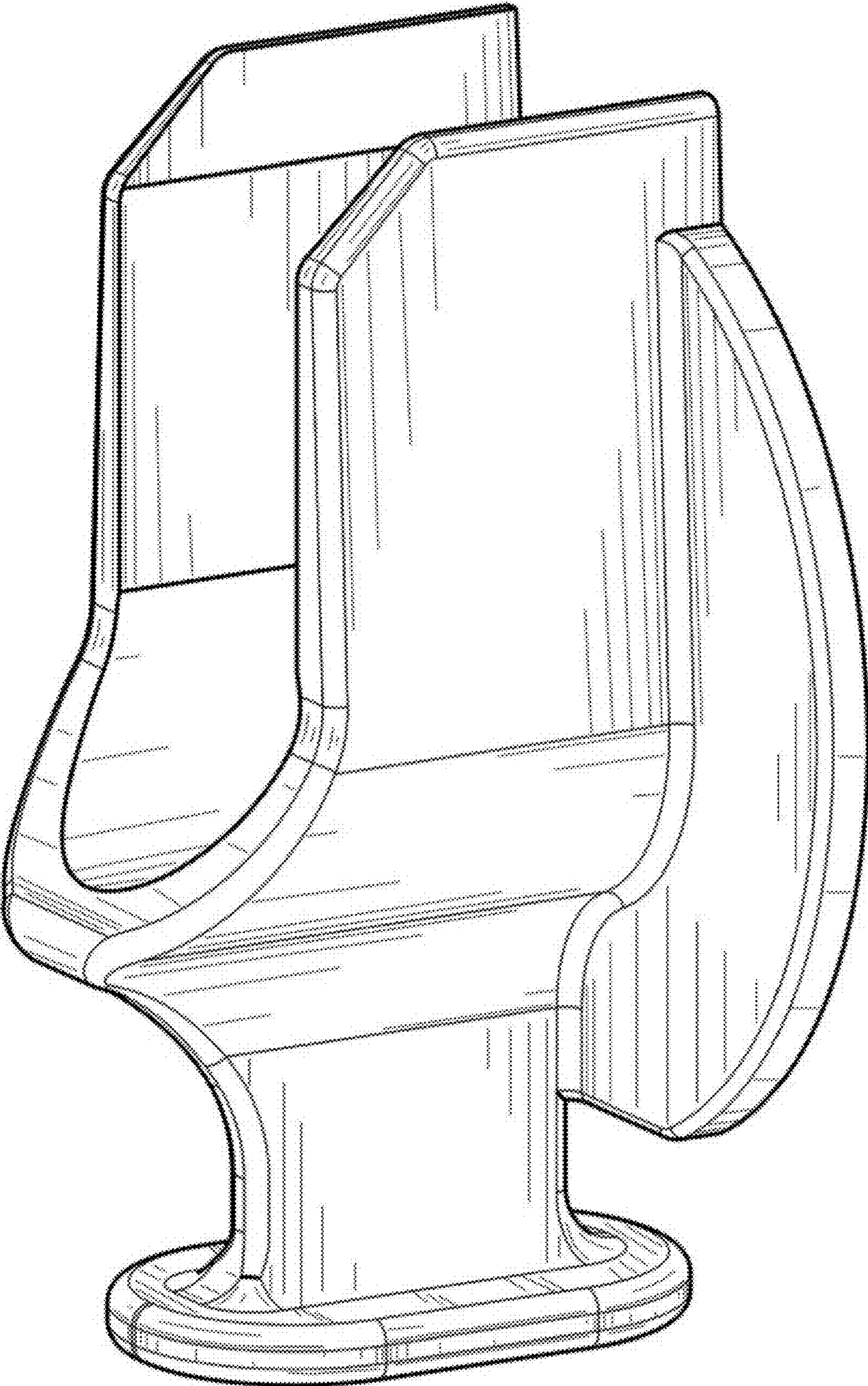
DESCRIPTION

1. Trigger dispenser stop
 1.1 is a perspective view.
 1.2 is a side view thereof.
 1.3 is a front view thereof.
 1.4 is a top plan view thereof.
 The trigger dispenser stop is used to avoid activation of the trigger of a dispenser.

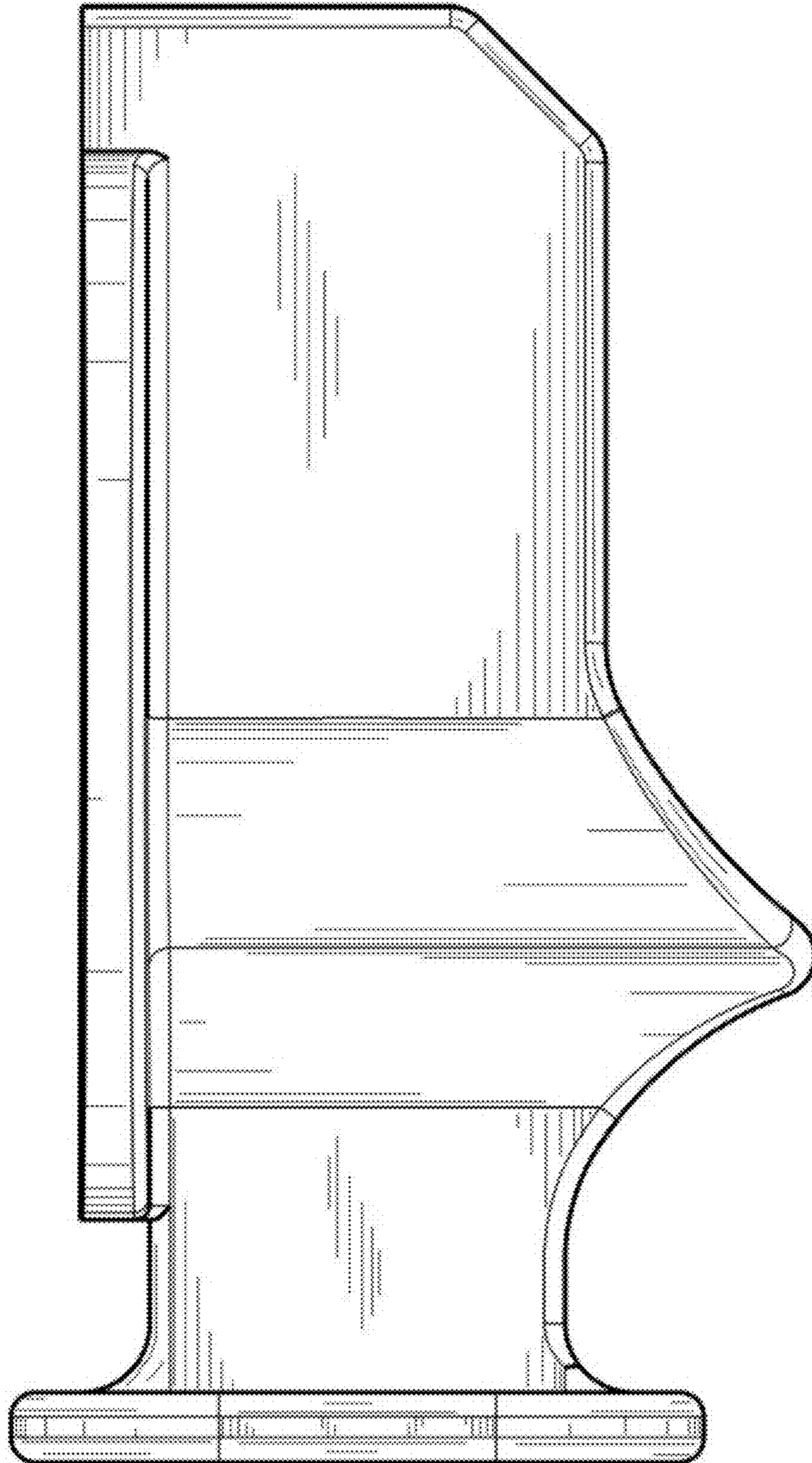
1 Claim, 4 Drawing Sheets



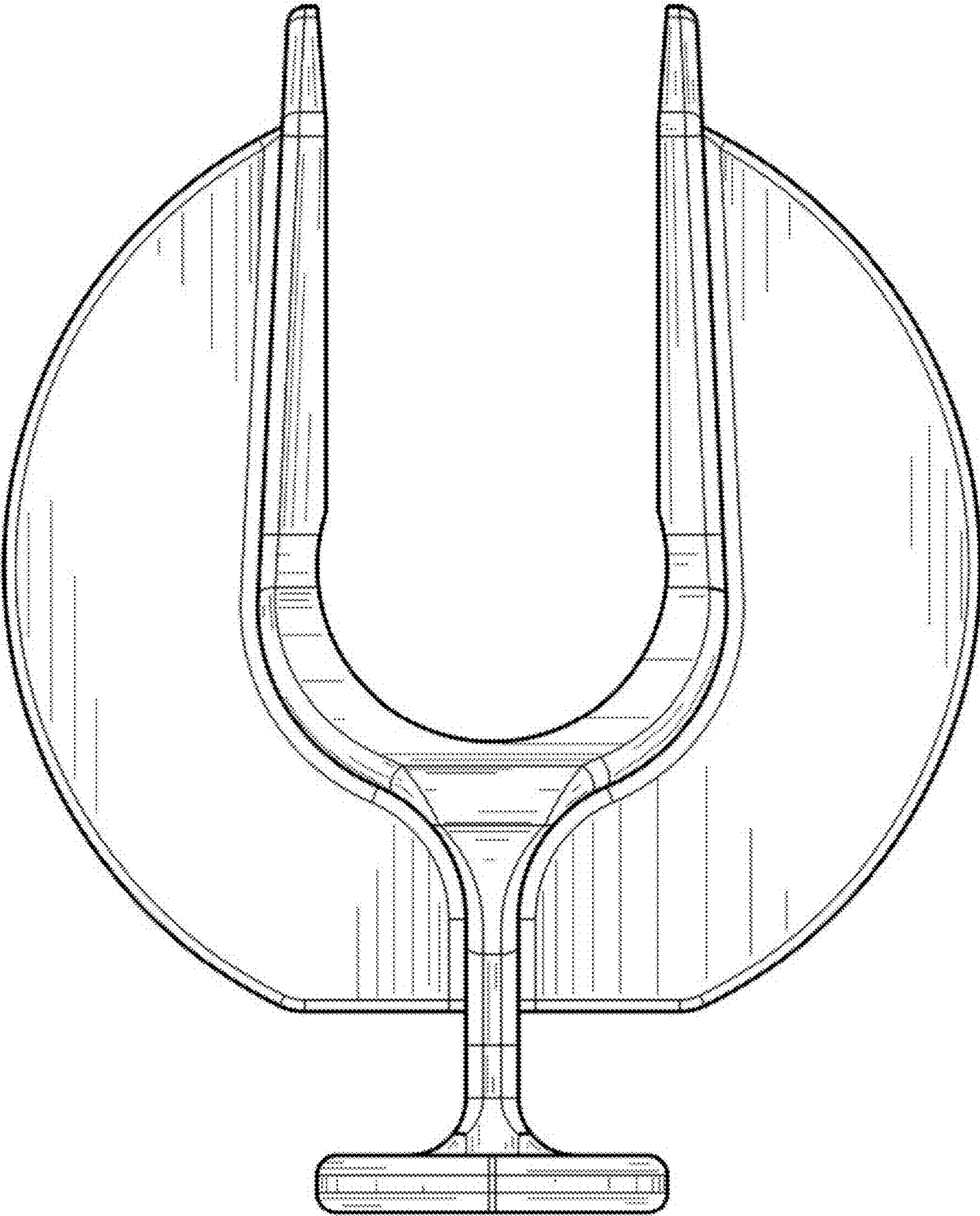
1.1



1.2



1.3



1.4

