

US00D850810S

(12) **United States Design Patent** (10) **Patent No.:** **US D850,810 S**  
**Doolan et al.** (45) **Date of Patent:** **\*\* Jun. 11, 2019**

(54) **PORTABLE CHAIR**  
(71) Applicant: **YETI Coolers, LLC**, Austin, TX (US)  
(72) Inventors: **William S. Doolan**, Dripping Springs, TX (US); **Steve Charles Nichols**, Austin, TX (US); **Roy Joseph Seiders**, Rollingwood, TX (US)  
(73) Assignee: **YETI Coolers, LLC**, Austin, TX (US)

4,685,255 A 8/1987 Kelley  
4,832,152 A 5/1989 Schuelke et al.  
4,842,335 A 6/1989 Wunderlich  
4,914,873 A 4/1990 Newhouse  
5,058,347 A 10/1991 Schuelke et al.  
5,129,202 A 7/1992 Payne  
5,142,734 A 9/1992 Looman et al.  
5,174,086 A 12/1992 Payne et al.  
D333,387 S 2/1993 Guay  
(Continued)

(\*\*) Term: **15 Years**

(21) Appl. No.: **29/632,920**

(22) Filed: **Jan. 10, 2018**

(51) **LOC (11) Cl.** ..... **06-01**

(52) **U.S. Cl.**  
USPC ..... **D6/368**

(58) **Field of Classification Search**  
USPC ..... D6/334-336, 367, 368, 371, 373, 375,  
D6/376, 379, 380, 716, 716.1, 716.2,  
D6/716.3, 716.4  
CPC .... A47C 4/22; A47C 4/28; A47C 4/30; A47C  
4/38; A47C 4/40; A47C 4/42; A47C 4/44;  
A47C 4/70; A47C 5/04; A47C 5/10  
See application file for complete search history.

(56) **References Cited**

U.S. PATENT DOCUMENTS

2,638,970 A 5/1953 Harber  
D220,908 S 6/1971 Smith  
3,695,702 A 10/1972 Ingellis  
D225,146 S \* 11/1972 Kettler ..... D6/368  
3,719,389 A 3/1973 Burton et al.  
4,119,286 A 10/1978 Barril  
4,234,226 A 11/1980 Colby  
4,382,648 A 5/1983 Propst et al.  
4,469,377 A 9/1984 O'Rourke  
4,513,347 A 4/1985 Wilcox et al.  
4,514,009 A \* 4/1985 Vanderminden ..... A47C 4/22  
297/16.1  
4,652,050 A 3/1987 Stevens

FOREIGN PATENT DOCUMENTS

CN 3463190 7/2005  
CN 301324411 8/2010

(Continued)

OTHER PUBLICATIONS

U.S. Appl. No. 29/632,922, filed Jan. 10, 2018, by William S. Doolan, Steve Charles Nichols, and Roy Joseph Seiders.

(Continued)

*Primary Examiner* — Mimoso De

(74) *Attorney, Agent, or Firm* — Banner & Witcoff, Ltd.

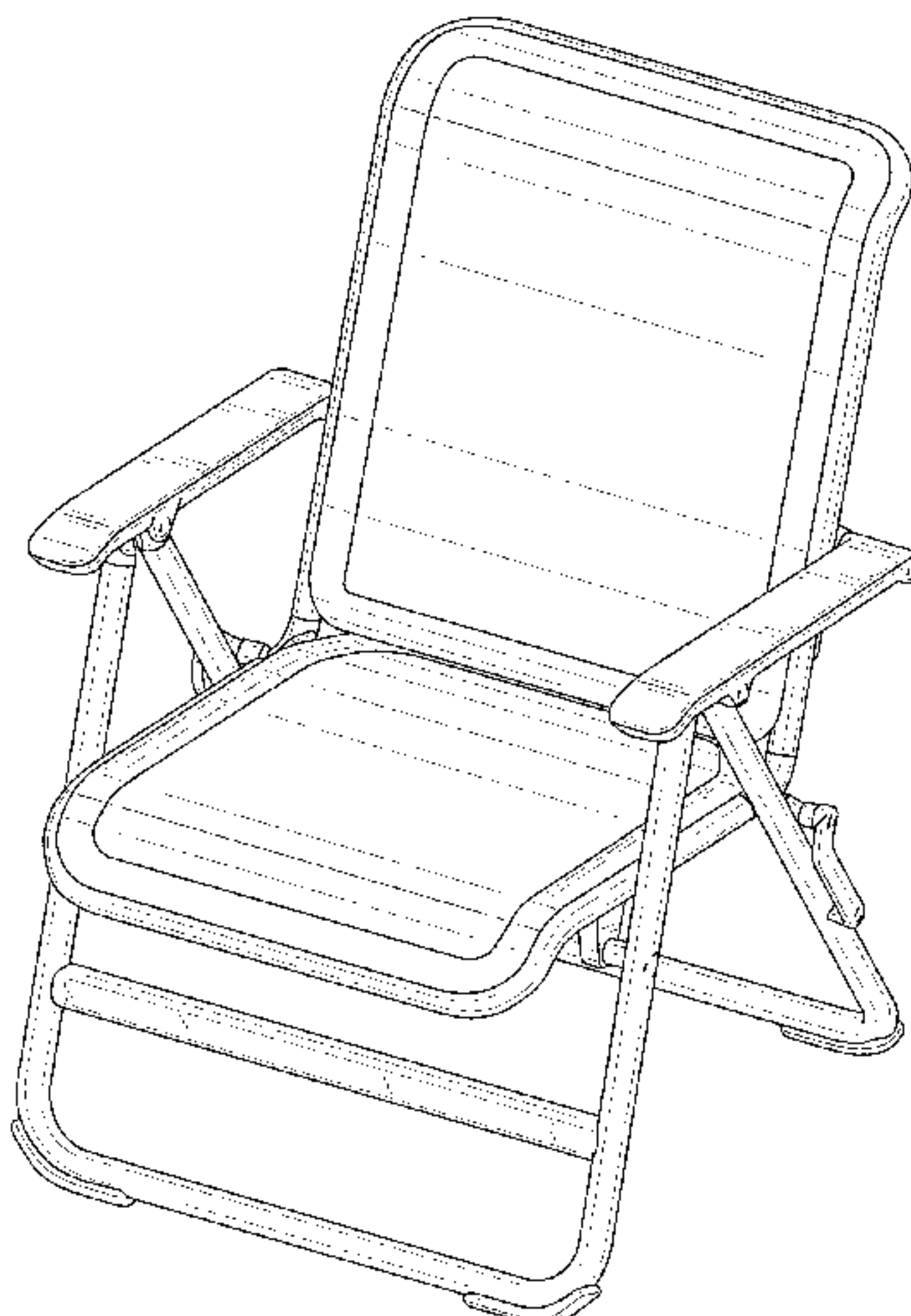
(57) **CLAIM**

The ornamental design for a portable chair, as shown and described.

DESCRIPTION

FIG. 1 is a top, front, right perspective view of a portable chair showing our new design;  
FIG. 2 is a front view thereof;  
FIG. 3 is a rear view thereof;  
FIG. 4 is a left side view thereof;  
FIG. 5 is a right side view thereof;  
FIG. 6 is a top view thereof; and,  
FIG. 7 is a bottom view thereof.

**1 Claim, 7 Drawing Sheets**



(56)

References Cited

U.S. PATENT DOCUMENTS

5,211,687 A 5/1993 Loser  
 5,423,151 A 6/1995 Caro et al.  
 5,564,779 A 10/1996 Tolbert et al.  
 D378,476 S 3/1997 Spaeth  
 5,666,888 A 9/1997 Dame et al.  
 5,678,890 A 10/1997 Tenbroeck  
 5,711,575 A 1/1998 Hand et al.  
 5,762,403 A 6/1998 Robinson  
 5,855,409 A \* 1/1999 Tseng ..... A47C 4/00  
 297/27  
 5,911,478 A 6/1999 Goodman  
 D417,561 S 12/1999 Liu  
 6,000,752 A 12/1999 Shyr  
 D418,318 S \* 1/2000 Jordan ..... D6/368  
 6,035,901 A 3/2000 Stumpf et al.  
 6,059,368 A 5/2000 Stumpf et al.  
 6,125,521 A 10/2000 Stumpf et al.  
 6,167,665 B1 1/2001 Dame et al.  
 6,226,849 B1 5/2001 Beck et al.  
 6,293,624 B1 9/2001 Gaylord et al.  
 6,295,764 B1 10/2001 Berridge et al.  
 6,386,634 B1 5/2002 Stumpf et al.  
 6,439,659 B1 8/2002 Neubauer, Jr.  
 6,439,665 B1 8/2002 Cvek  
 6,502,902 B1 1/2003 Romero  
 6,540,950 B1 4/2003 Coffield  
 6,550,855 B2 4/2003 Liu  
 6,581,260 B2 6/2003 Kinney  
 6,588,836 B1 7/2003 Lo  
 6,588,842 B2 7/2003 Stumpf et al.  
 6,702,390 B2 3/2004 Stumpf et al.  
 6,718,717 B2 4/2004 Henderson et al.  
 6,722,741 B2 4/2004 Stumpf et al.  
 6,726,285 B2 4/2004 Caruso et al.  
 6,726,286 B2 4/2004 Stumpf et al.  
 D490,251 S 5/2004 Lin  
 6,733,080 B2 5/2004 Stumpf et al.  
 6,764,132 B1 \* 7/2004 Gaertner ..... A47C 4/44  
 297/130  
 D494,769 S 8/2004 Vigneaud  
 6,890,030 B2 5/2005 Wilkerson et al.  
 D507,424 S 7/2005 Rogasis  
 6,942,300 B2 9/2005 Numa et al.  
 6,955,402 B2 10/2005 VanDeRiet et al.  
 6,966,604 B2 11/2005 Stumpf et al.  
 D517,822 S 3/2006 Grosfillex  
 D519,292 S 4/2006 Ashby  
 7,052,081 B2 5/2006 Leng  
 7,059,682 B2 6/2006 Caruso et al.  
 7,066,550 B1 6/2006 Su  
 7,249,802 B2 7/2007 Schmitz et al.  
 D555,371 S \* 11/2007 Le Gal ..... D6/335  
 D559,000 S 1/2008 Vanderminden, Sr.  
 D571,115 S 6/2008 Cohen  
 D580,689 S 11/2008 Su  
 7,455,365 B2 11/2008 Caruso et al.  
 D581,708 S 12/2008 Su  
 7,472,962 B2 1/2009 Caruso et al.  
 7,537,453 B2 5/2009 Morgan et al.  
 D599,127 S 9/2009 Smith  
 7,594,700 B2 9/2009 Stumpf et al.  
 7,654,616 B2 2/2010 Kinoshita et al.  
 7,654,617 B2 2/2010 Farnsworth  
 7,765,663 B2 8/2010 Liu  
 7,794,022 B2 9/2010 Caruso et al.  
 7,841,666 B2 11/2010 Schmitz et al.  
 D633,311 S 3/2011 Peguero

D639,577 S 6/2011 Tseng  
 8,029,066 B2 10/2011 Su  
 8,033,598 B2 10/2011 Smith et al.  
 D648,554 S 11/2011 Smith  
 D648,962 S 11/2011 Brodbeck  
 D651,010 S 12/2011 Cohen  
 8,109,576 B2 2/2012 Lin  
 D660,612 S 5/2012 Smith  
 8,172,332 B2 5/2012 Masunaga et al.  
 8,240,771 B2 8/2012 Diffrient  
 8,282,172 B2 10/2012 Schmitz et al.  
 D672,161 S 12/2012 McDowell  
 8,449,037 B2 5/2013 Behar et al.  
 8,616,655 B2 12/2013 Jung  
 8,657,521 B2 2/2014 Reeves  
 8,801,102 B2 8/2014 Broome et al.  
 9,003,635 B2 4/2015 Parker et al.  
 9,033,410 B2 5/2015 Roani et al.  
 9,033,421 B2 5/2015 Wilkinson et al.  
 9,161,629 B2 10/2015 Huang  
 9,211,014 B2 12/2015 Schmitz et al.  
 9,414,673 B2 8/2016 Behar et al.  
 9,462,891 B2 10/2016 Kikuchi et al.  
 D771,400 S 11/2016 DoVale  
 9,668,580 B2 6/2017 Schmitz et al.  
 9,877,587 B2 1/2018 Grace  
 D811,143 S 2/2018 Chavarria  
 2003/0071509 A1 4/2003 Neil et al.  
 2006/0163934 A1 7/2006 Chen  
 2006/0170255 A1 8/2006 Huang  
 2007/0170756 A1 7/2007 Kang  
 2008/0006965 A1 1/2008 Hsien  
 2009/0100587 A1 4/2009 Smith  
 2009/0261644 A1 10/2009 Piretti  
 2012/0149263 A1 6/2012 Cvek  
 2013/0069414 A1 3/2013 Ko  
 2015/0308171 A1 10/2015 Shadley

FOREIGN PATENT DOCUMENTS

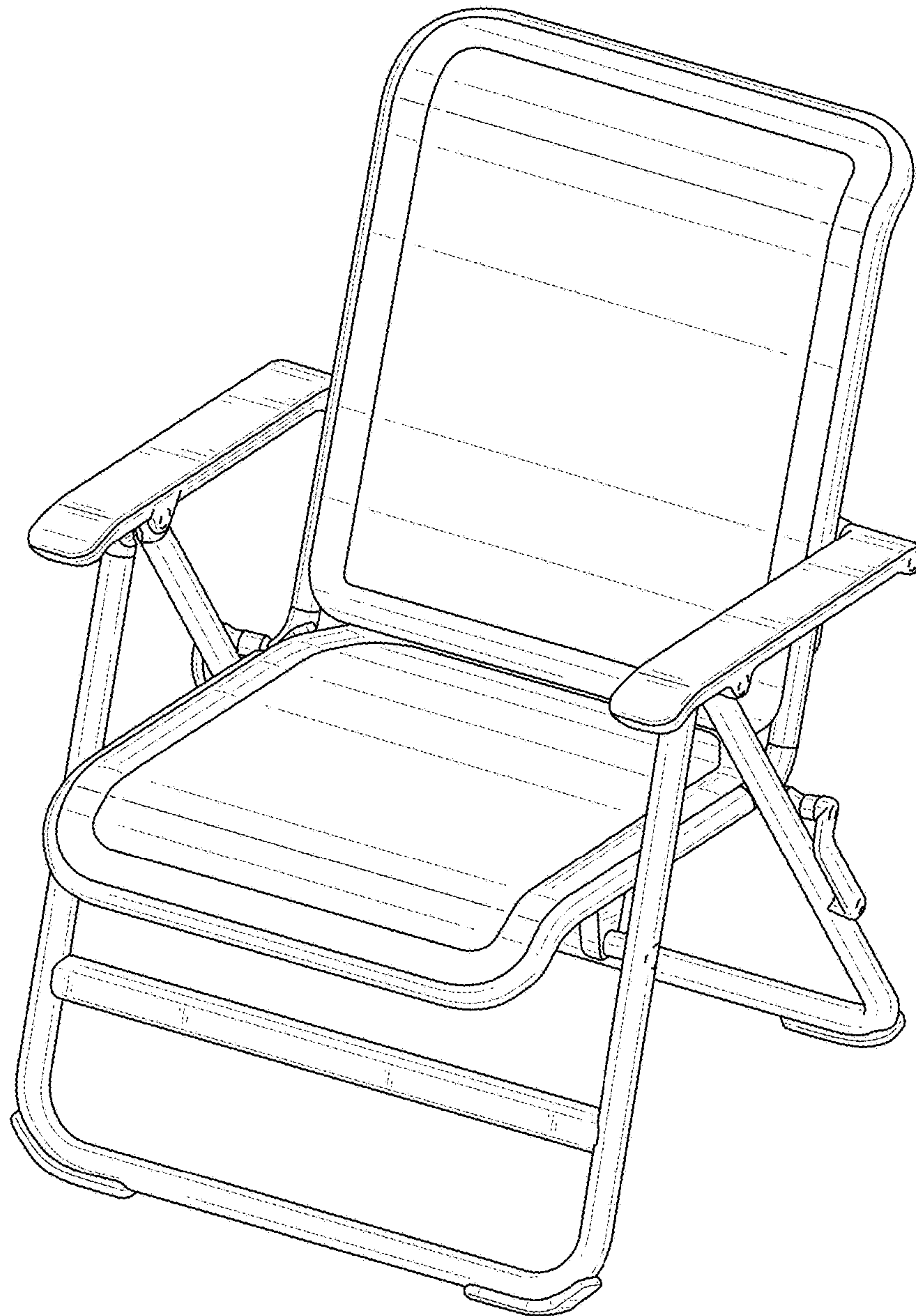
CN 301377966 11/2010  
 CN 303501418 12/2015  
 EP 00302735472-0004 7/2015

OTHER PUBLICATIONS

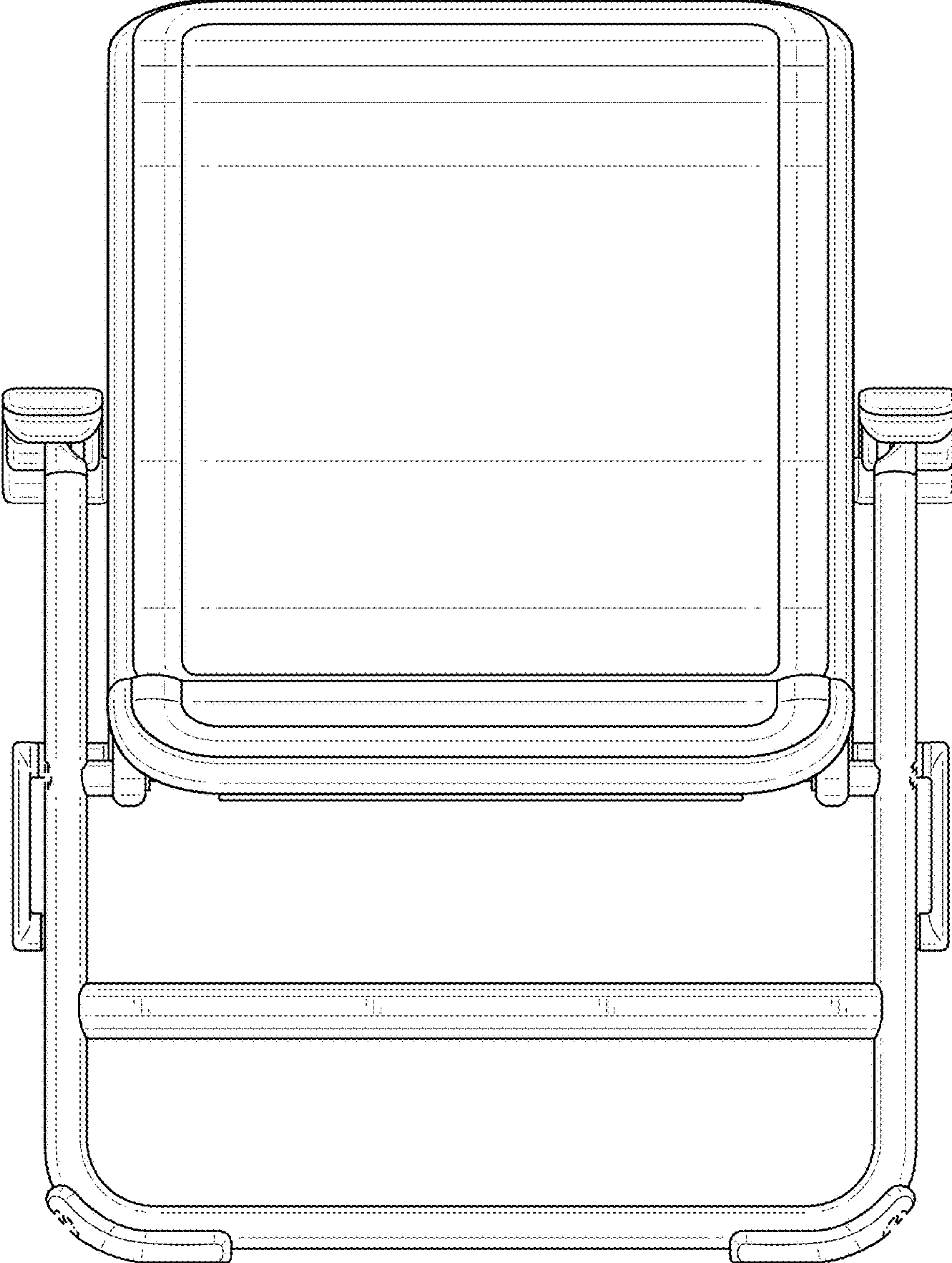
U.S. Appl. No. 29/632,923, filed Jan. 10, 2018, by William S. Doolan, Steve Charles Nichols, and Roy Joseph Seiders.  
 U.S. Appl. No. 29/632,924, filed Jan. 10, 2018, by William S. Doolan, Steve Charles Nichols, and Roy Joseph Seiders.  
 Website: Overstock, "Caravan Canopy Blue Suspension Folding Chair," visited Jan. 31, 2018, <<https://www.overstock.com/Sports-Toys/Caravan-Canopy-Blue-Suspension-Folding-Chair/8789499/product.html>>.  
 Website: Verified Designs, "Mesh Patio Chairs with Folding Chairs Ideas and Metal Chairs Materials," visited Jan. 31, 2018, <<http://verifieddesigns.com/spectacular-mesh-patio-chair-design-which-is-more-embellishing-your-home-space/mesh-patio-chairs-with-folding-chairs-ideas-and-metal-chairs-materials/>>.  
 Website: Jet, "Westfield Outdoor S13-S998T FS Tan FLD Sling Chair," visited Jan. 31, 2018, <<https://jet.com/product/Westfield-Outdoor-S13-S998T-FS-Tan-FLD-Sling-Chair/0fbc30d483a248478b79e3bce8d22928>>.  
 Website: Sun Prairie Blues Fest, "Reclining Patio Chair with Pull Out Ottoman," visited Jan. 31, 2018, <http://family.spbluesfest.com/foldable-reclining-patio-chair-lounge/reclining-patio-chair-with-pull-out-ottoman/>.

\* cited by examiner

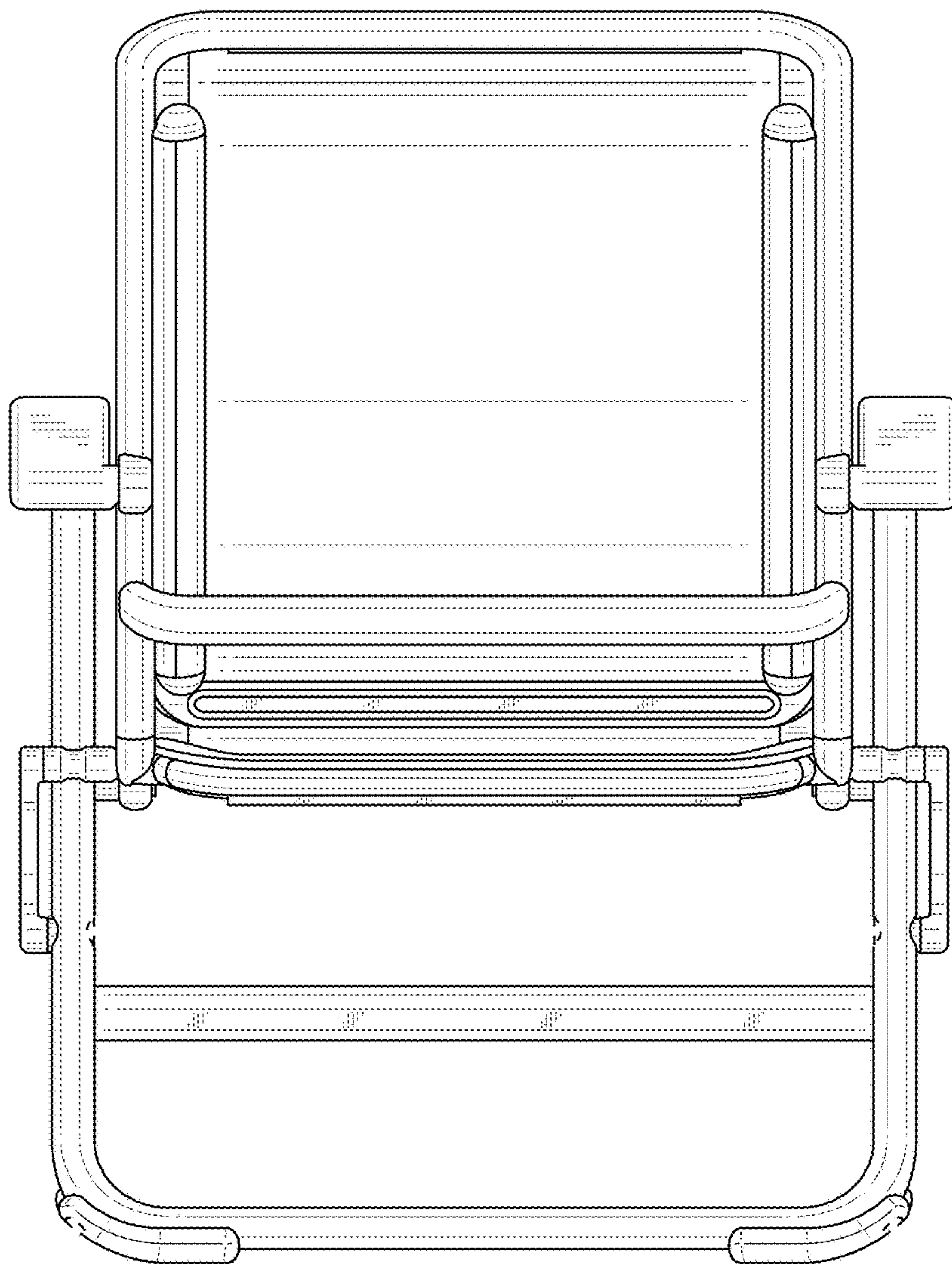




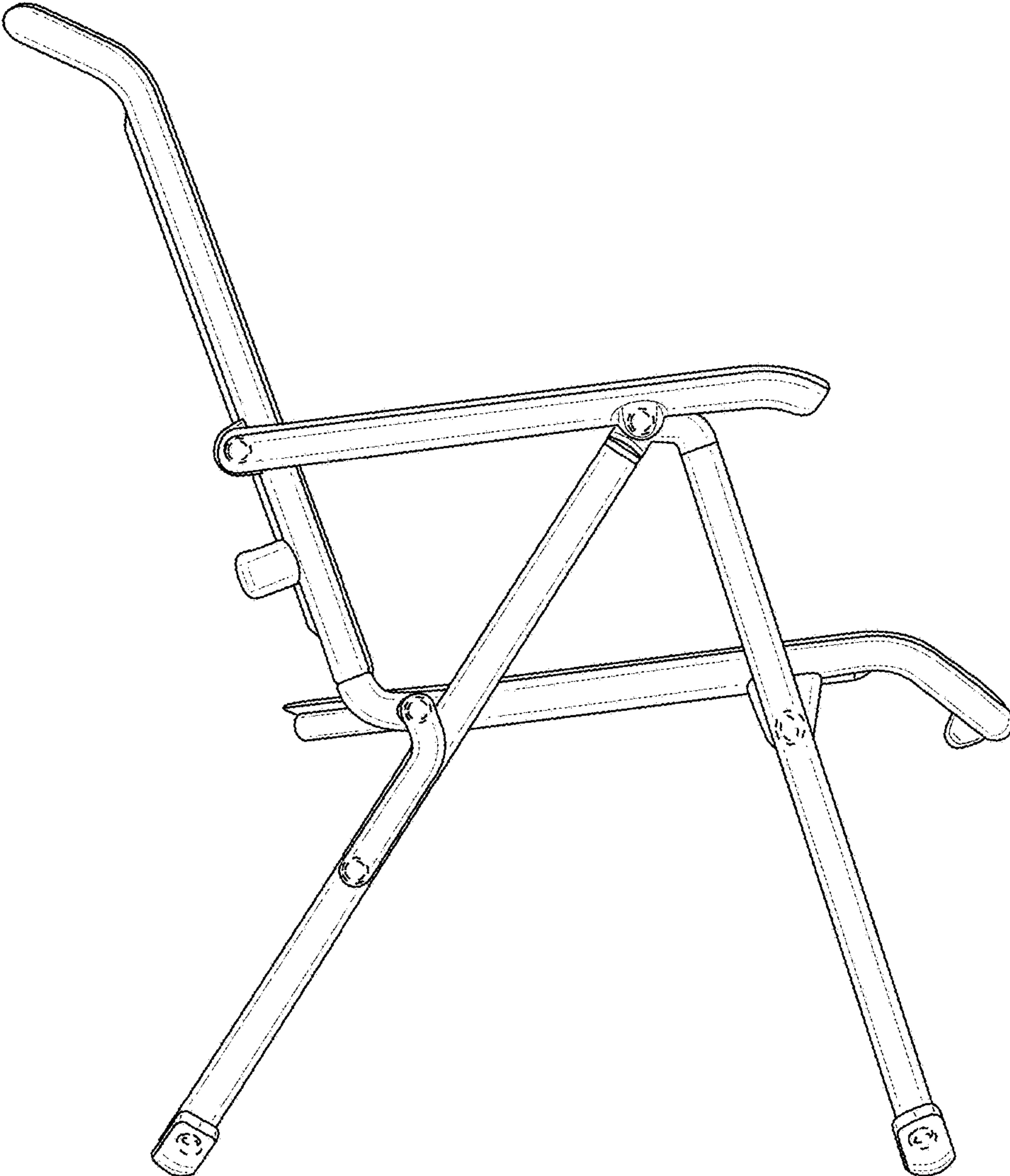
**FIG. 1**



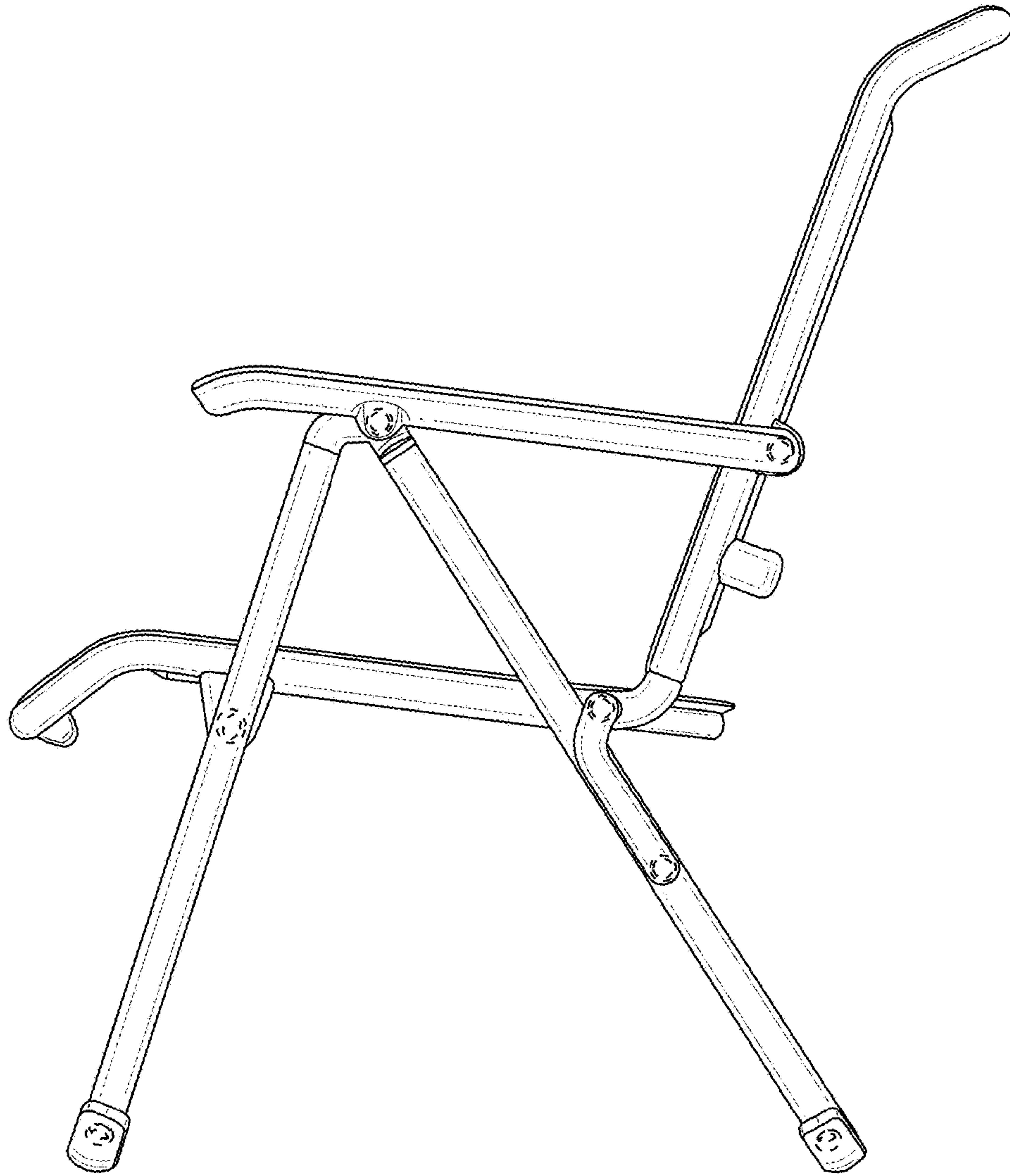
**FIG. 2**



**FIG. 3**

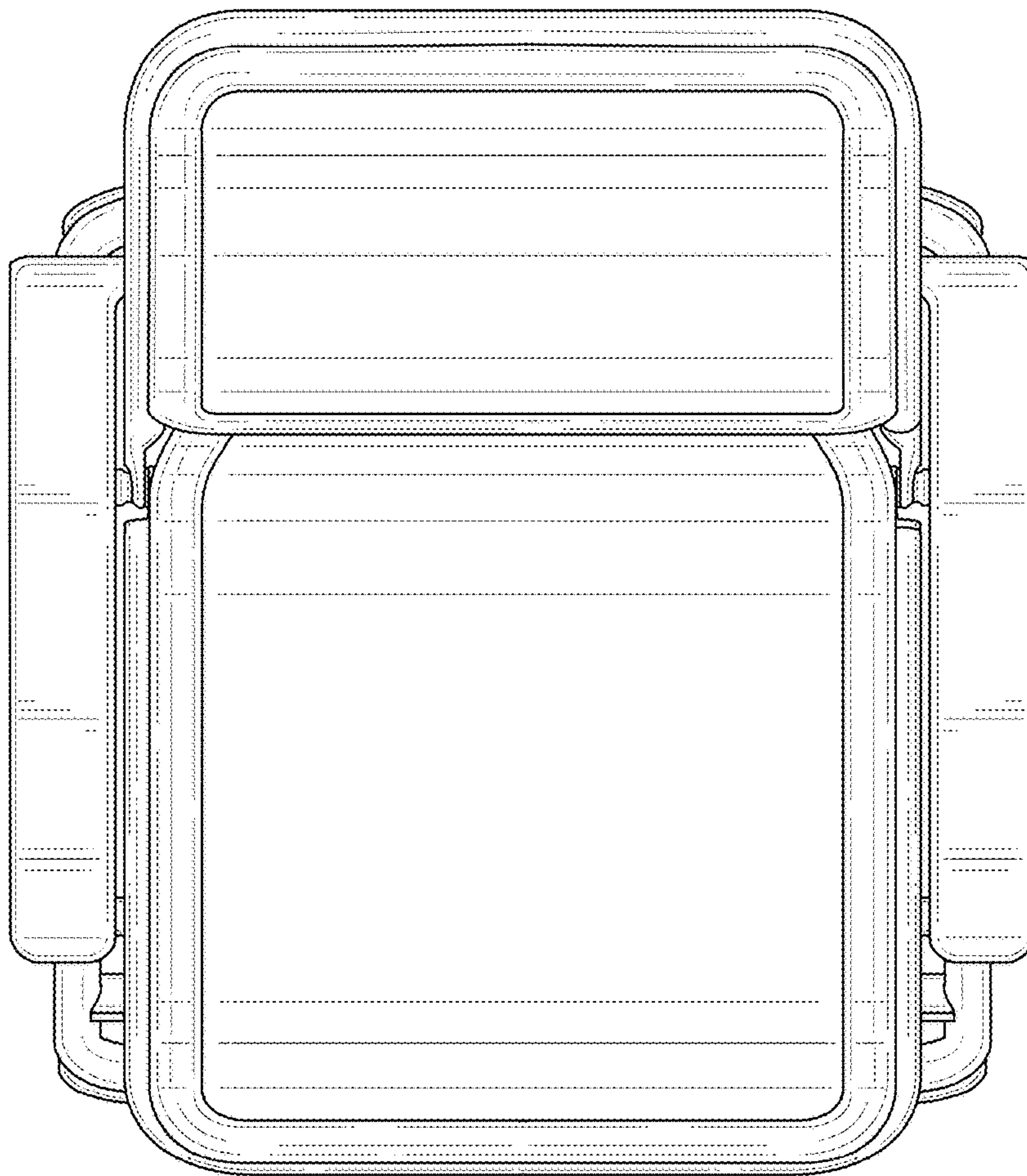


**FIG. 4**



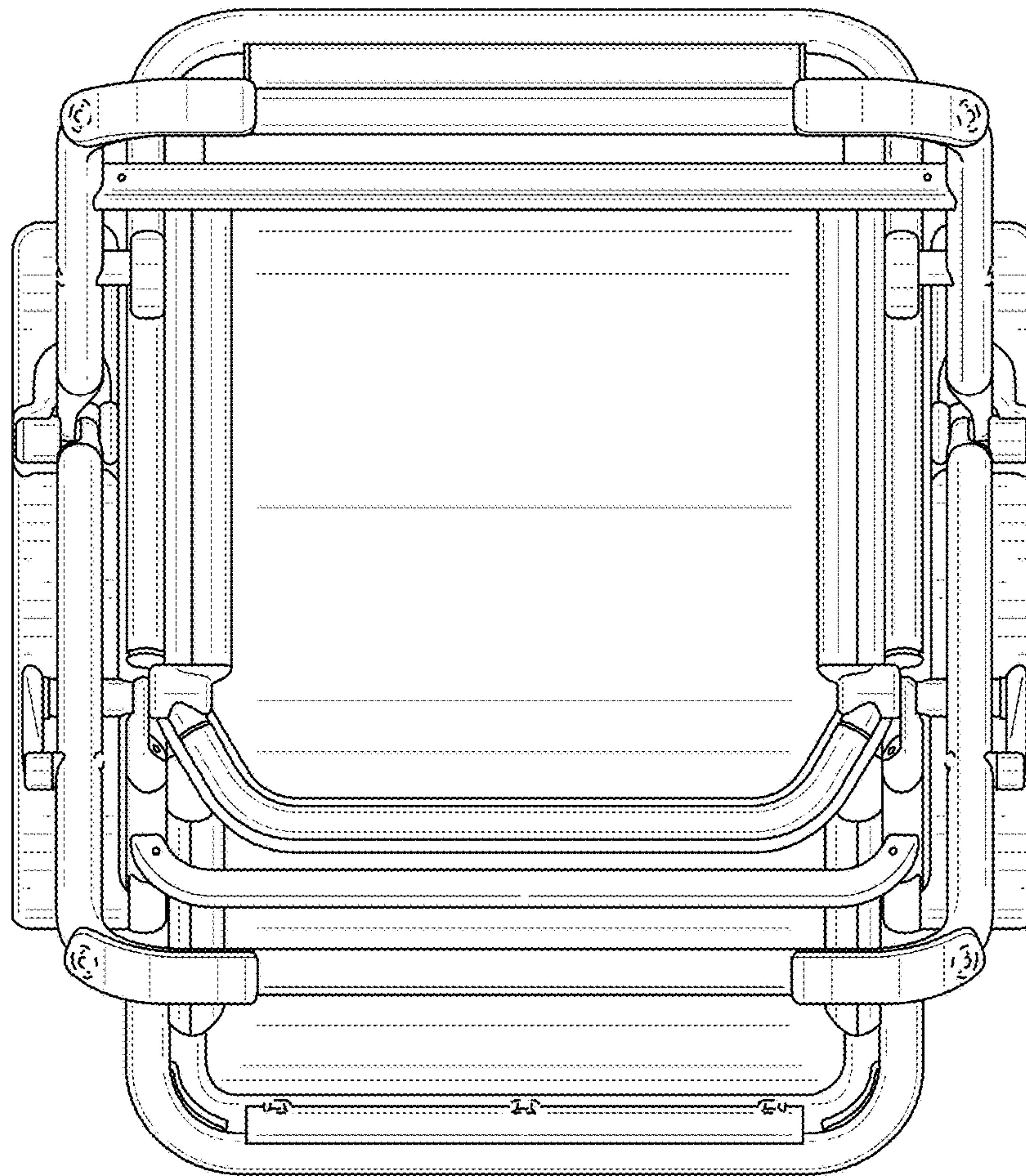
**FIG. 5**





**FIG. 6**





**FIG. 7**