

US00D850809S

(12) **United States Design Patent**
Xiao

(10) **Patent No.:** **US D850,809 S**

(45) **Date of Patent:** **** Jun. 11, 2019**

(54) **FOLDING CHAIR**

(71) Applicant: **Yongkai Xiao**, Zhongshan (CN)

(72) Inventor: **Yongkai Xiao**, Zhongshan (CN)

(**) Term: **15 Years**

(21) Appl. No.: **29/627,839**

(22) Filed: **Nov. 30, 2017**

(51) **LOC (11) Cl.** **06-01**

(52) **U.S. Cl.**
USPC **D6/368**

(58) **Field of Classification Search**
USPC D6/334-336, 368, 374, 375, 379, 716,
D6/716.1, 716.2, 716.3, 716.4
CPC .. A47C 1/16; A47C 1/146; A47C 4/28; A47C
4/283; A47C 5/06; A47C 7/021
See application file for complete search history.

(56) **References Cited**

U.S. PATENT DOCUMENTS

- 2,001,252 A * 5/1935 Johnson A47C 1/146
297/350
- 2,239,669 A * 4/1941 Blake A47C 1/146
297/183.5
- 2,792,875 A * 5/1957 Pirrone A47C 1/16
297/130
- 3,825,298 A * 7/1974 Chipman A47C 1/146
297/129

- D254,582 S * 4/1980 deSantis D6/368
- D293,282 S * 12/1987 Ashford D6/368
- 4,824,171 A * 4/1989 Hollingsworth A47C 1/146
297/351
- D329,148 S * 9/1992 Hwang D6/368
- D360,768 S * 8/1995 Hwang D6/335
- D421,190 S * 2/2000 Sagastegui D6/368

* cited by examiner

Primary Examiner — Mimoso De

(74) *Attorney, Agent, or Firm* — Law Offices of Steven W. Weinrieb

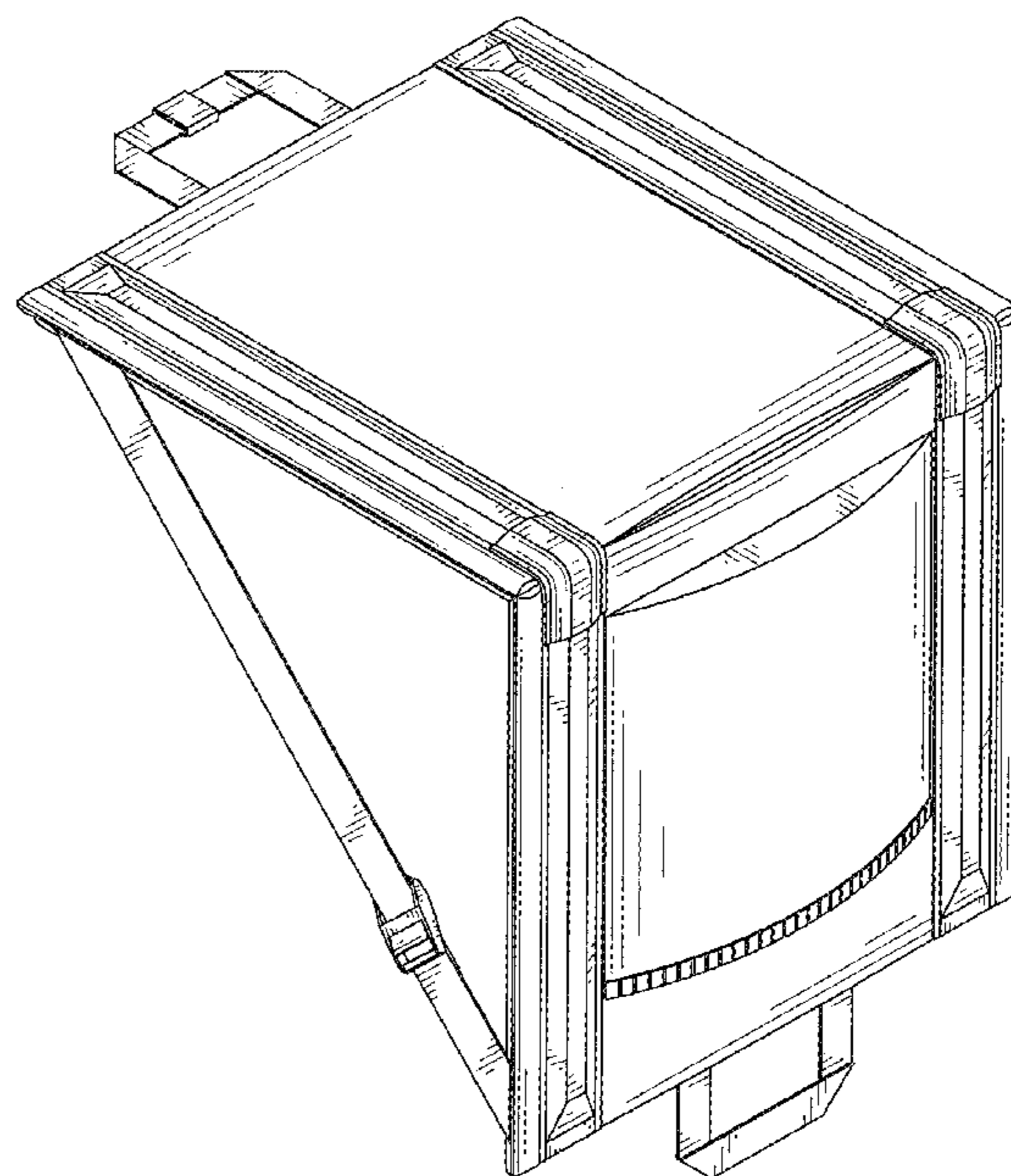
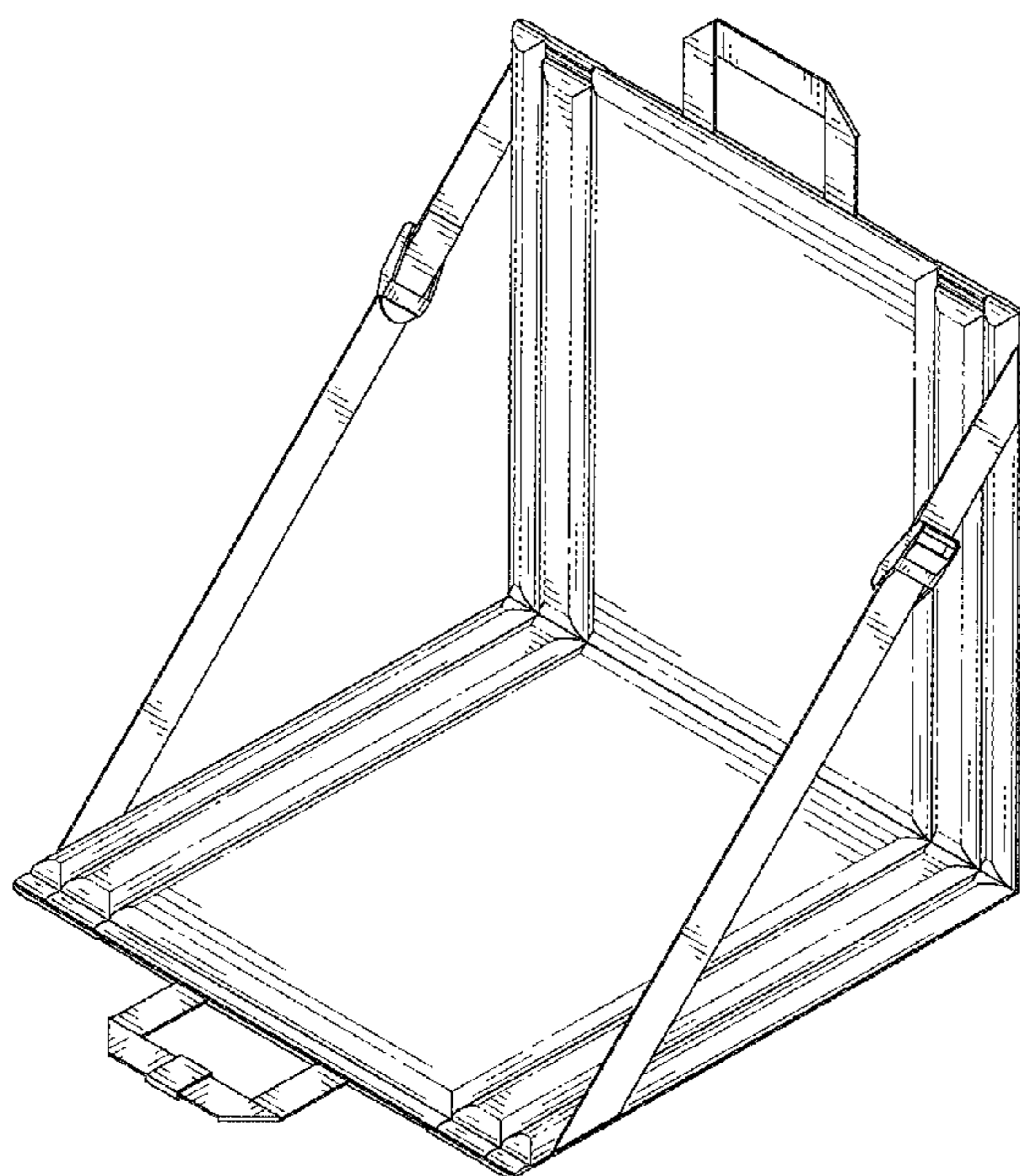
(57) **CLAIM**

The ornamental design for a folding chair, as shown and described.

DESCRIPTION

FIG. 1 is a left side top perspective view of the folding chair showing my new design;
 FIG. 2 is an inverted left side bottom perspective view thereof;
 FIG. 3 is a front elevational view thereof;
 FIG. 4 is a rear elevational view thereof.
 FIG. 5 is a right side elevational view thereof;
 FIG. 6 is a left side elevational view thereof;
 FIG. 7 is a top plan view thereof;
 FIG. 8 is a bottom plan view thereof; and,
 FIG. 9 is an enlarged detail view of the encircle region 9 shown in FIG. 3.

1 Claim, 9 Drawing Sheets



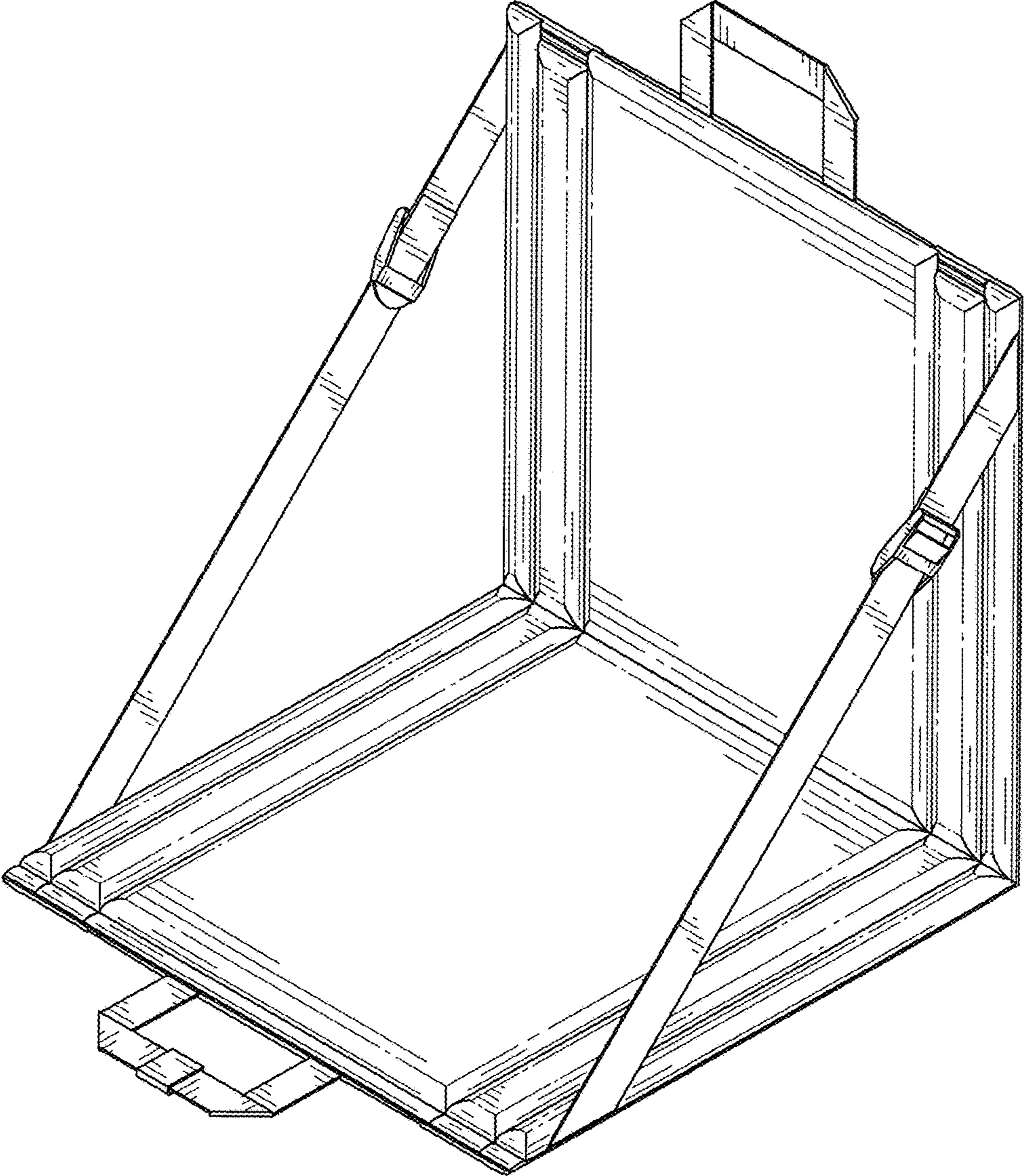


FIG. 1

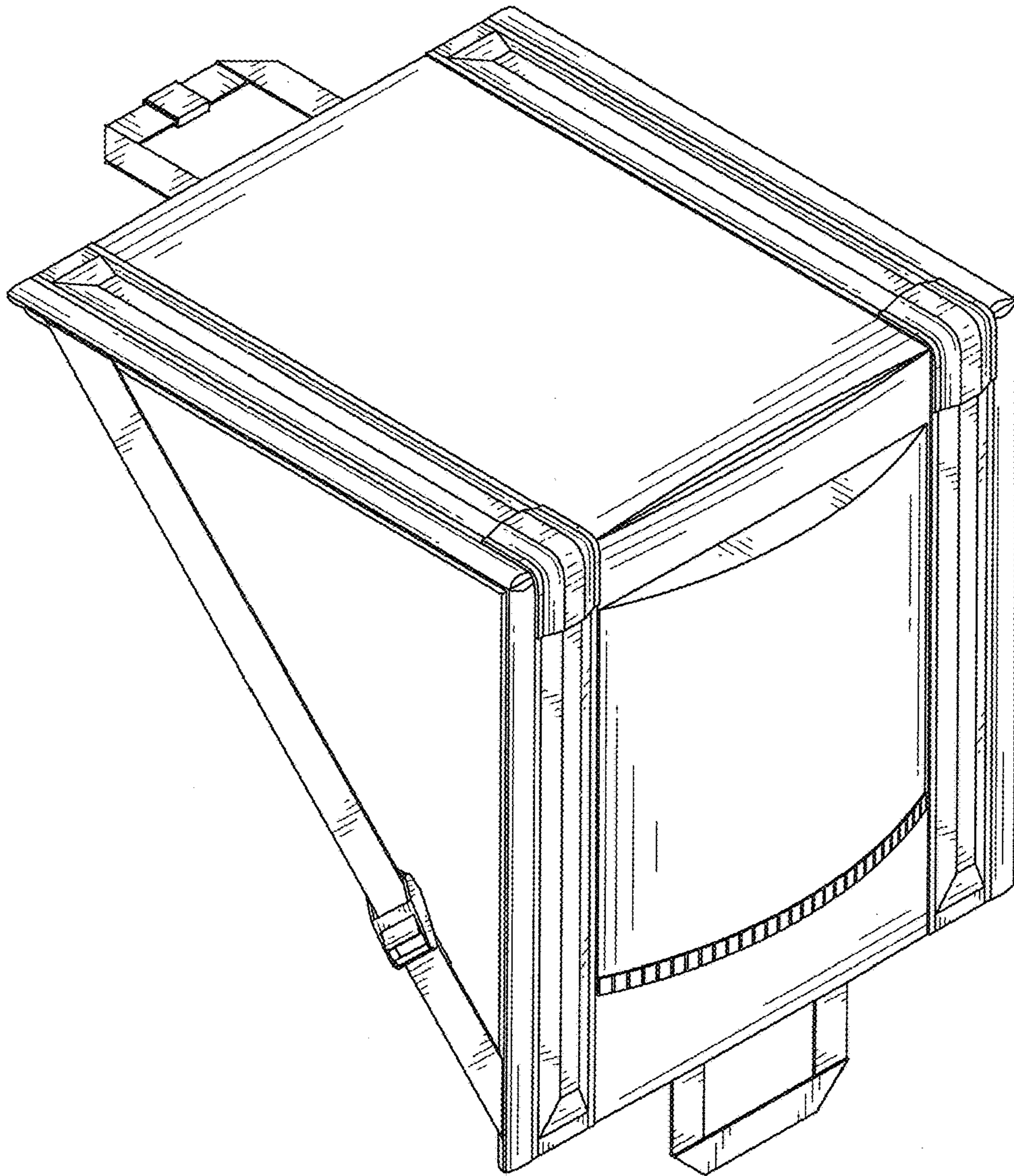


FIG. 2

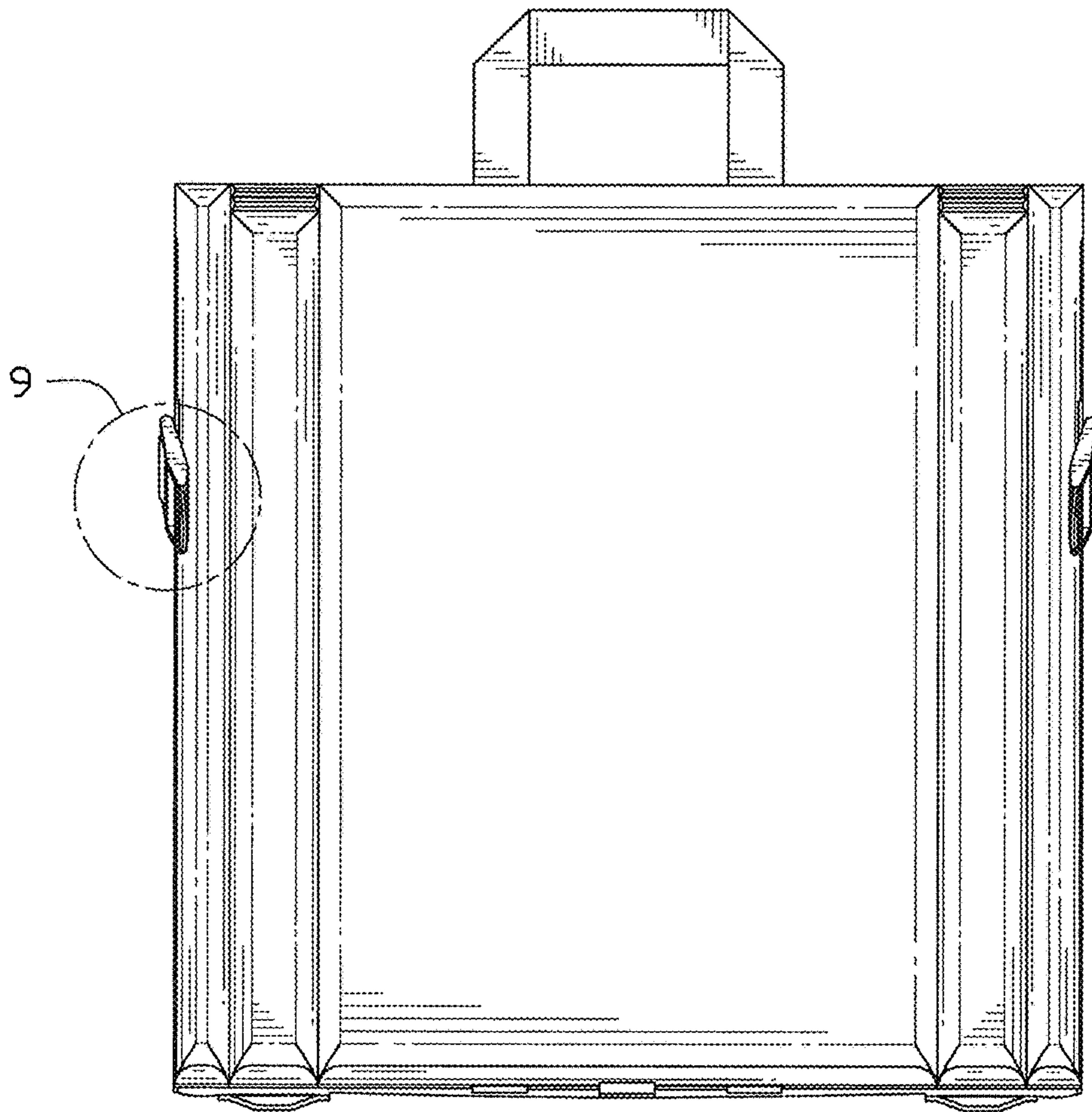


FIG. 3

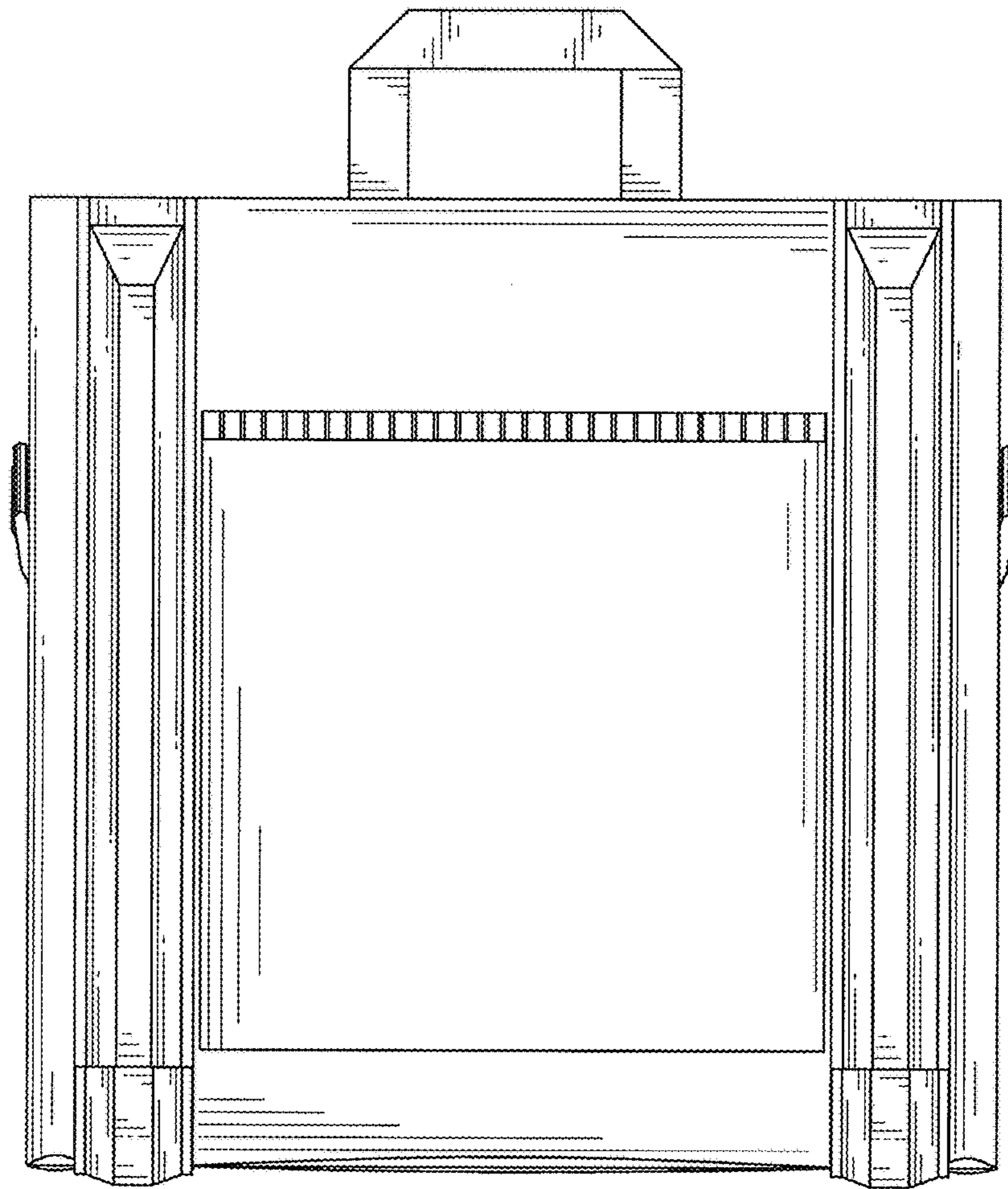


FIG. 4

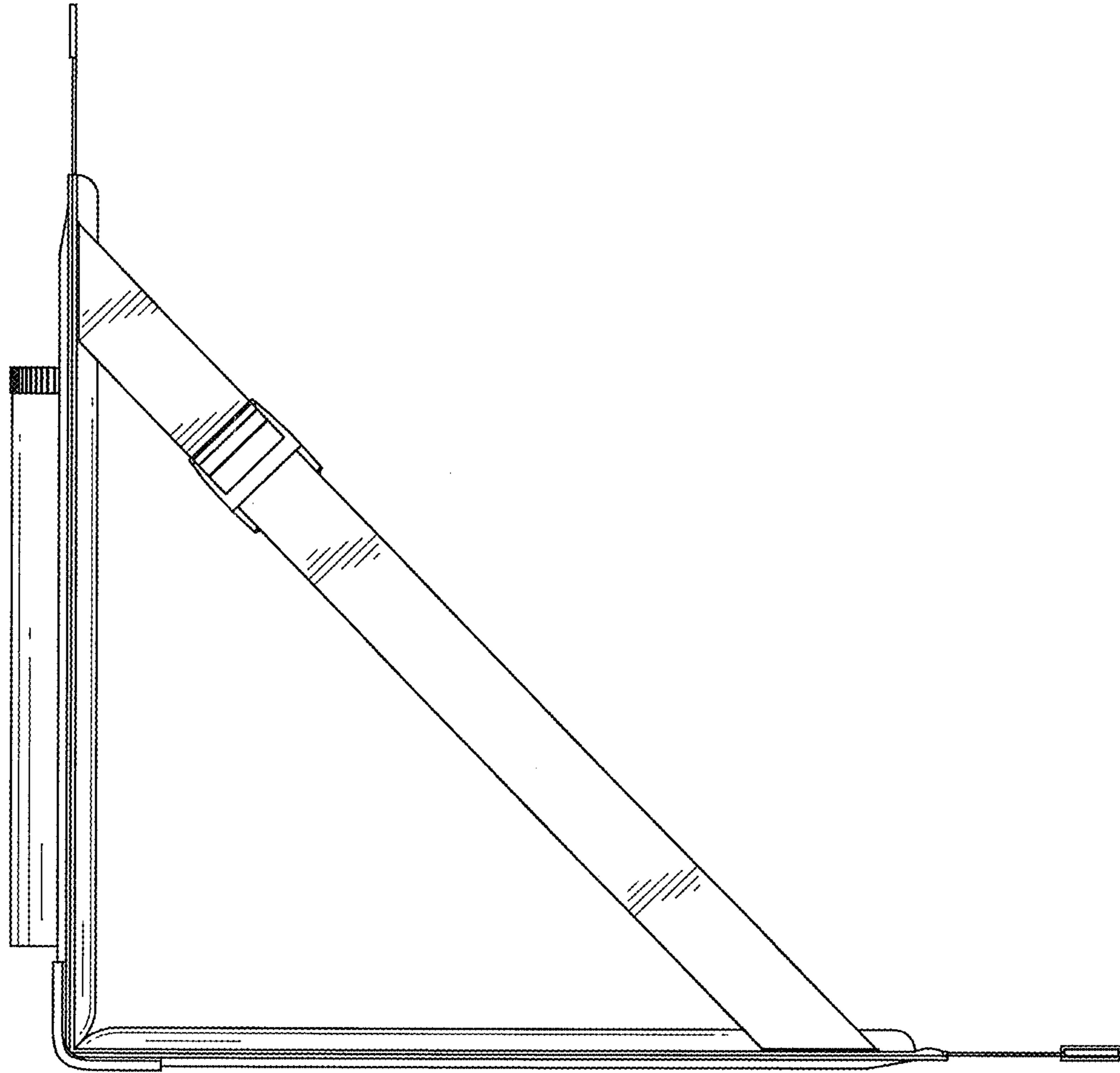


FIG. 5

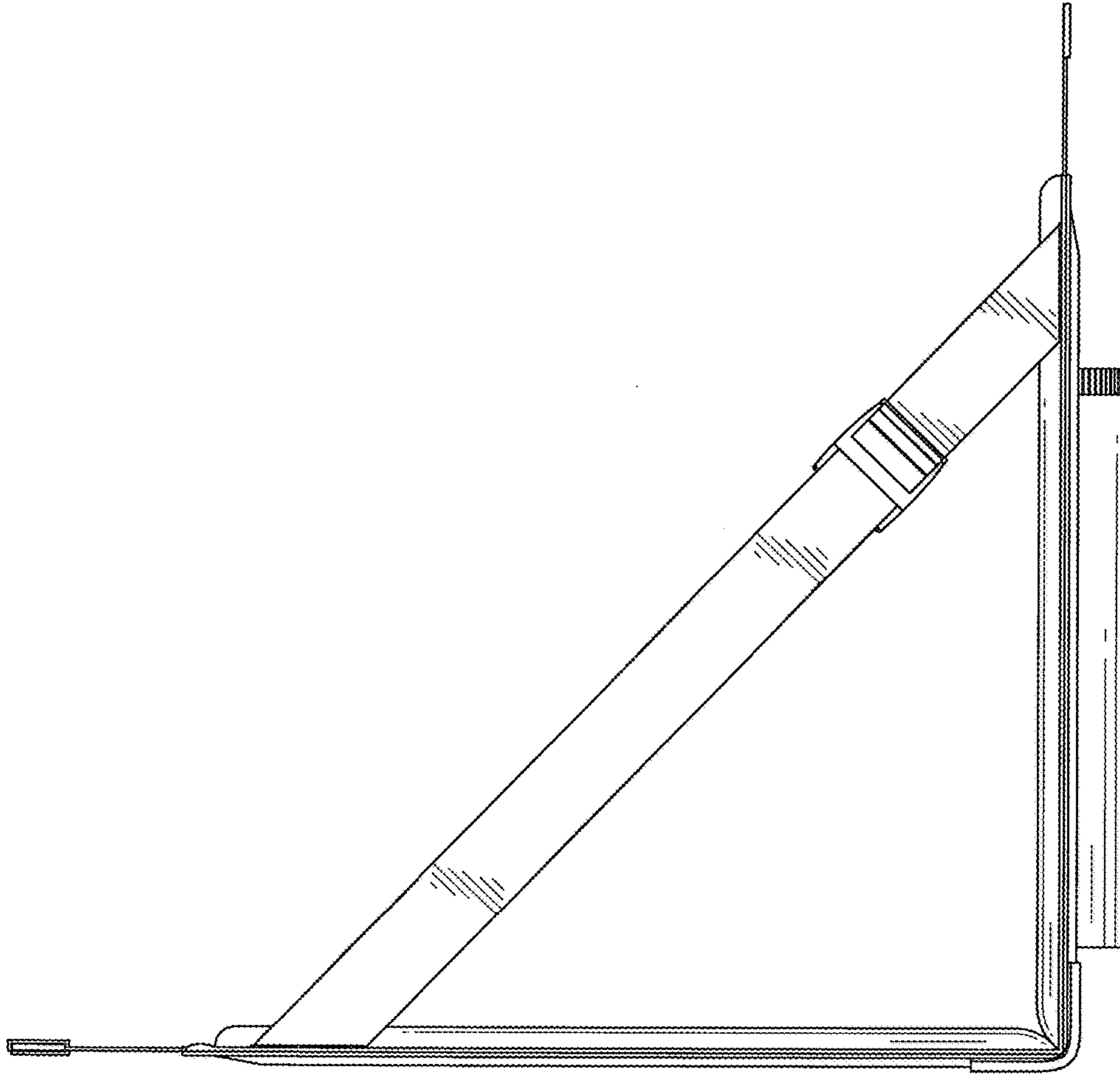


FIG. 6

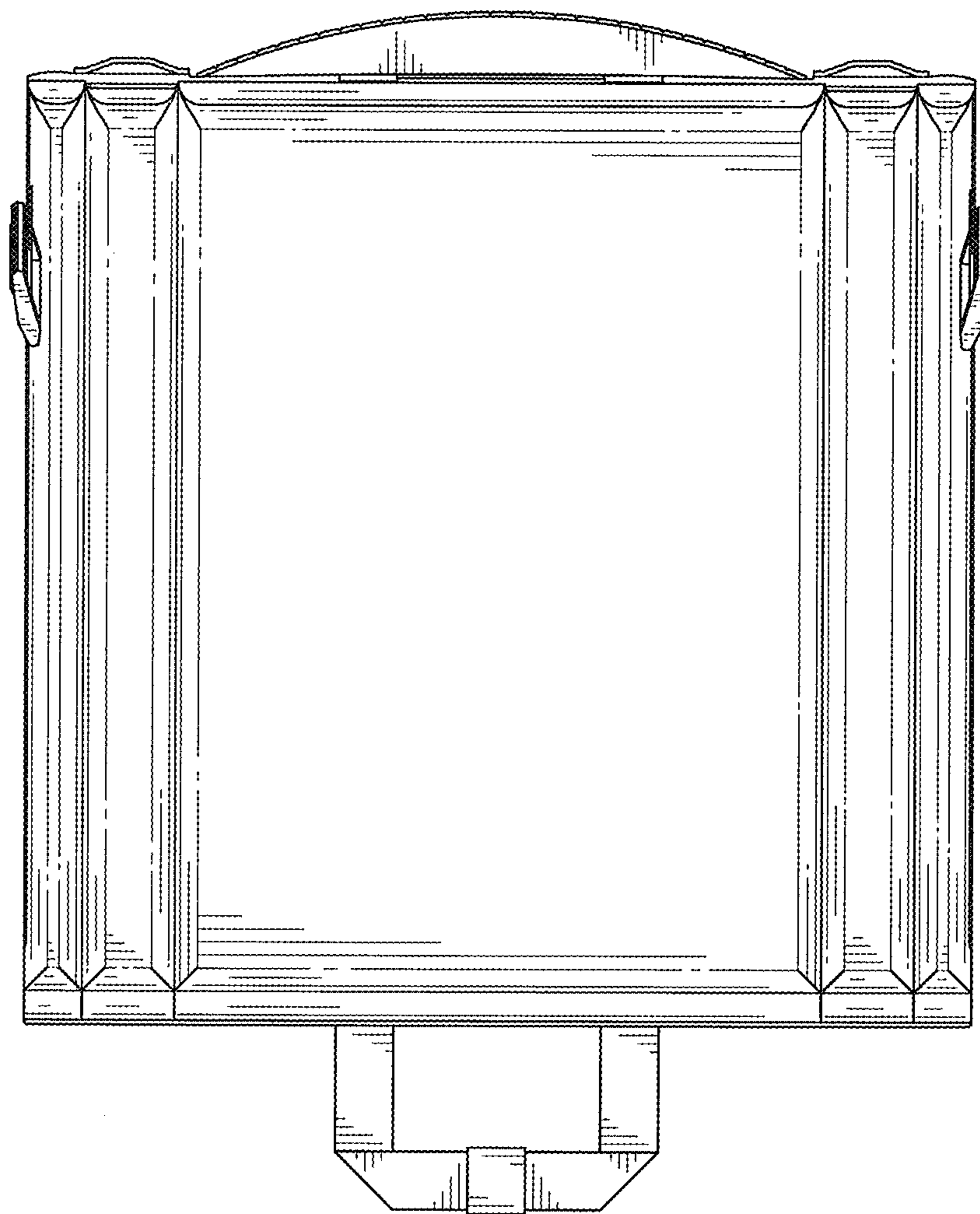


FIG. 7

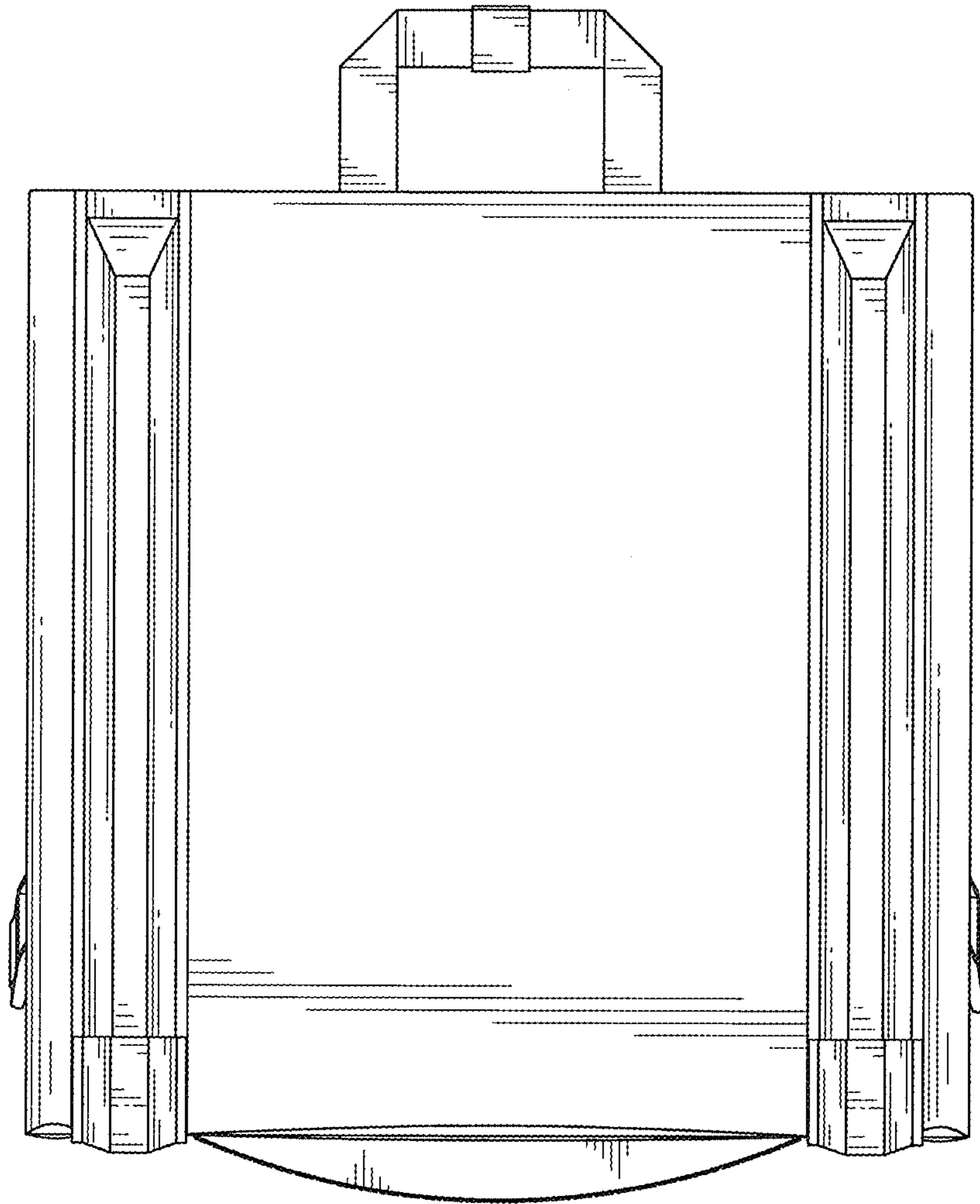


FIG. 8

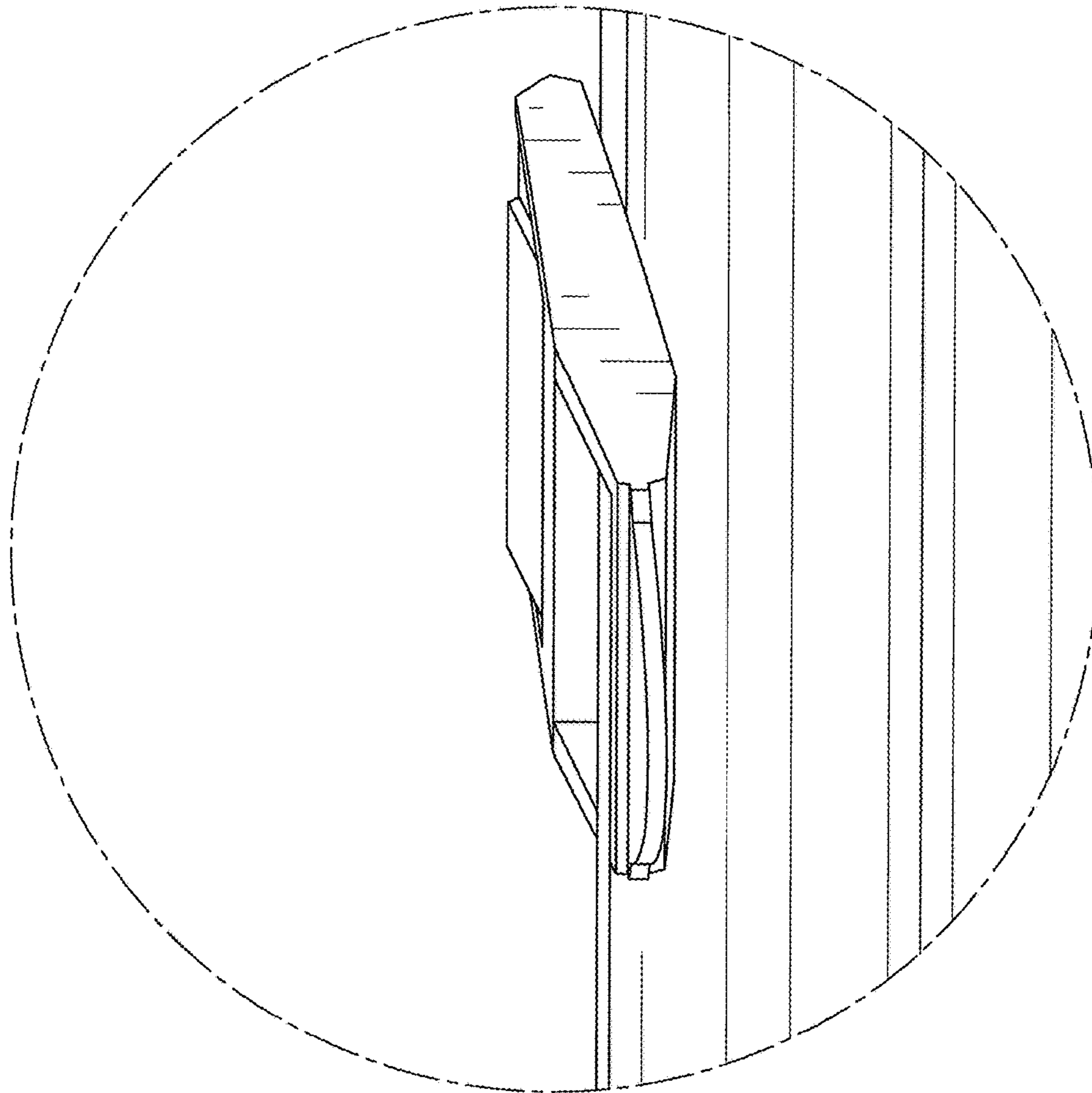


FIG. 9