



US00D850807S

(12) **United States Design Patent**
Zhong

(10) **Patent No.:** **US D850,807 S**

(45) **Date of Patent:** **** Jun. 11, 2019**

(54) **LEG REST DEVICE**

(71) Applicant: **Jing Zhong**, La Puente, CA (US)

(72) Inventor: **Jing Zhong**, La Puente, CA (US)

(**) Term: **15 Years**

(21) Appl. No.: **29/630,172**

(22) Filed: **Dec. 19, 2017**

(51) **LOC (11) Cl.** **06-01**

(52) **U.S. Cl.**
USPC **D6/349**

(58) **Field of Classification Search**

USPC D6/334, 349–353, 355, 364–365, 596,
D6/601, 604, 691–691.9, 692–692.6,
D6/716–716.1

CPC A47C 16/00; A47C 16/02–16/04; A47C
13/00; A47C 11/00; A47C 12/00; A47K
17/02; A47K 17/028; A47B 7/00–7/02

See application file for complete search history.

(56) **References Cited**

U.S. PATENT DOCUMENTS

D367,390 S *	2/1996	Johnston	D6/596
6,406,098 B1 *	6/2002	Linder	A47C 3/16 220/592.2
D464,225 S *	10/2002	Boso	D6/604
D514,860 S *	2/2006	Torres	D6/604
D612,630 S *	3/2010	Coleman	D6/393
D634,959 S *	3/2011	McNaughton	D6/601
D661,762 S *	6/2012	Galinski	D21/826
D672,182 S *	12/2012	Mischak	D6/601
9,138,058 B2 *	9/2015	Koolhaas	A47C 3/16
D764,189 S *	8/2016	Edwards	D6/349
D790,238 S *	6/2017	Little	D6/349
2003/0159218 A1 *	8/2003	Lin	A47C 4/54 5/710

OTHER PUBLICATIONS

Aussie Plane Pal inventor defends product in 'copycat' spat. [online]
Published on Jan. 28, 2018. Retrieved Feb. 9, 2018 from URL:

<http://www.smh.com.au/small-business/entrepreneur/copycat-claims-against-australiane-plane-pal-inventor-20171221-h08gyv.html>.*

The Original Fly Tot. [online] Published on Nov. 10, 2016. Retrieved Feb. 9, 2018 from URL: <https://www.fly-tot.com/the-original-fly-tot>.*

Plane Pal Pillow Only. [online] Retrieved Feb. 9, 2018 from URL: <https://www.planepal.com.au/collections/online-shop/products/plane-pal-pillow-only>.*

* cited by examiner

Primary Examiner — Vy N Koenig

(74) *Attorney, Agent, or Firm* — Raymond Y. Chan;
David and Raymond Patent Firm

(57) **CLAIM**

The ornamental design for a leg rest device, as shown and described.

DESCRIPTION

FIG. 1 is a perspective view of the leg rest device of my new design;

FIG. 2 is a front view thereof;

FIG. 3 is a rear view thereof;

FIG. 4 is a left view thereof;

FIG. 5 is a right view thereof;

FIG. 6 is a top view thereof;

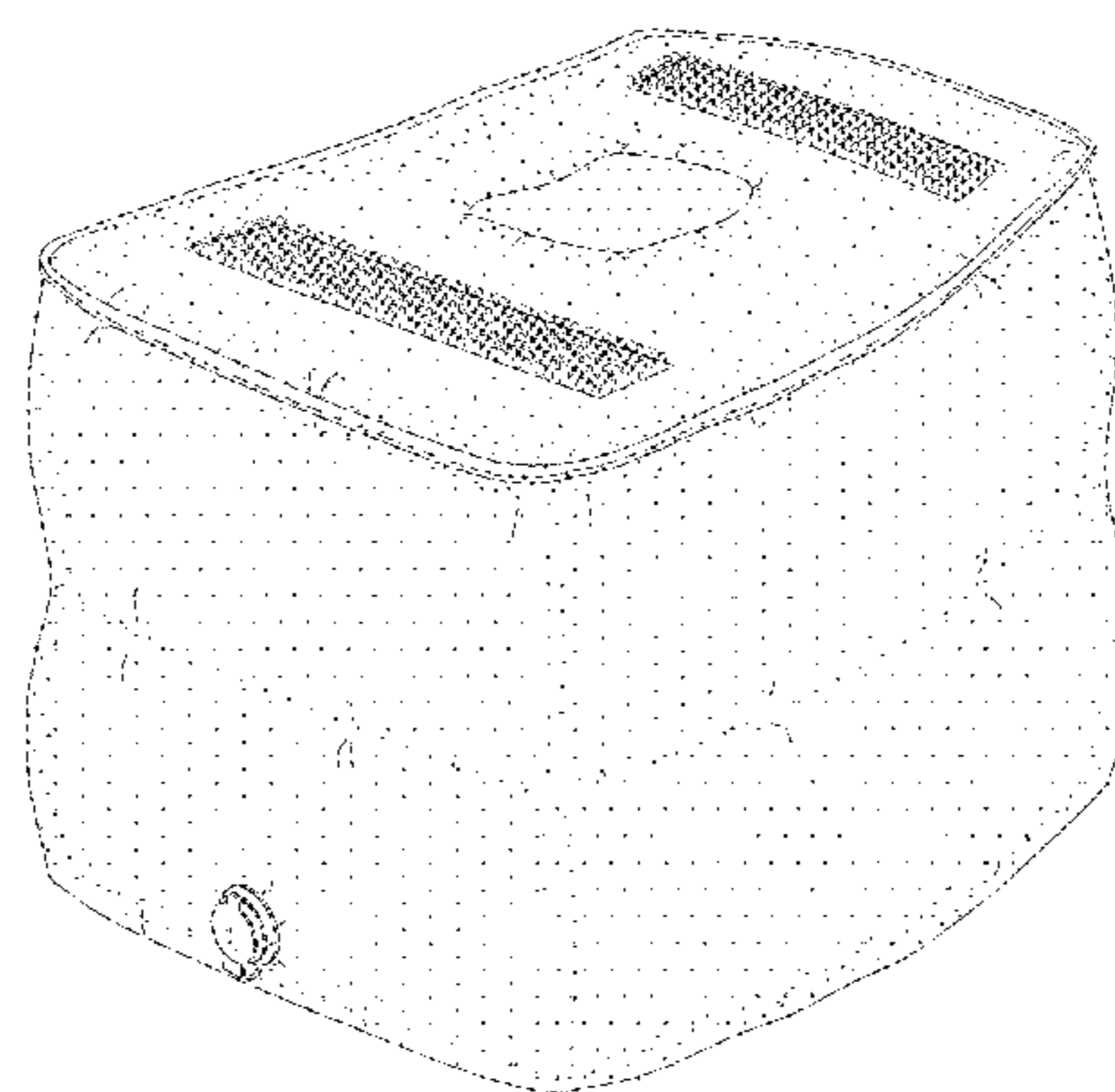
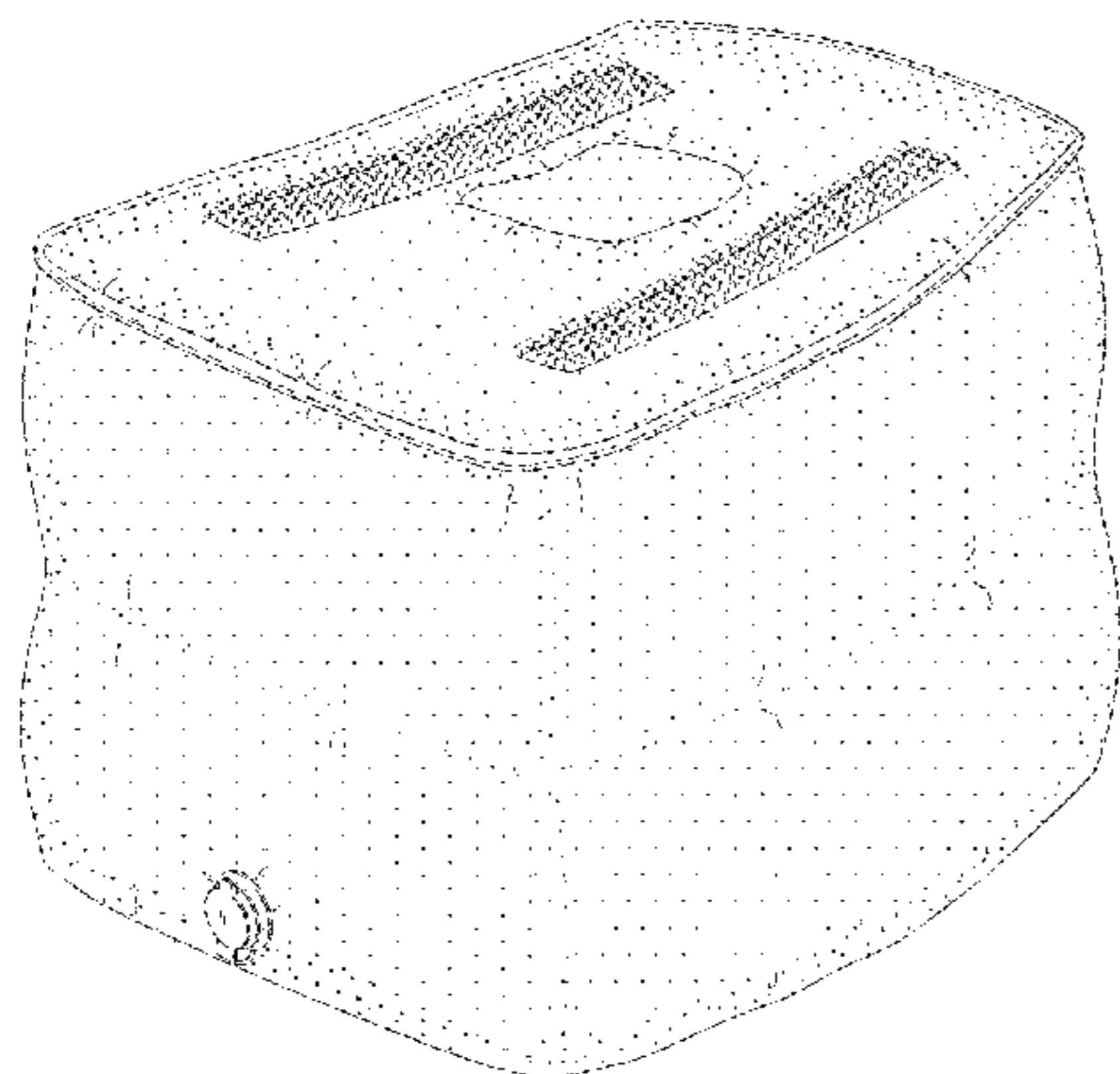
FIG. 7 is a bottom view thereof;

FIG. 8 is a perspective view thereof with an optional leg rest stacked on top; and,

FIG. 9 is a perspective view of the leg rest device of FIG. 1 with an alternative orientation of the fasteners.

The broken lines shown in FIG. 8 represent environmental subject matter, specifically an optional stacked leg rest device, and form no part of the claimed design.

1 Claim, 9 Drawing Sheets



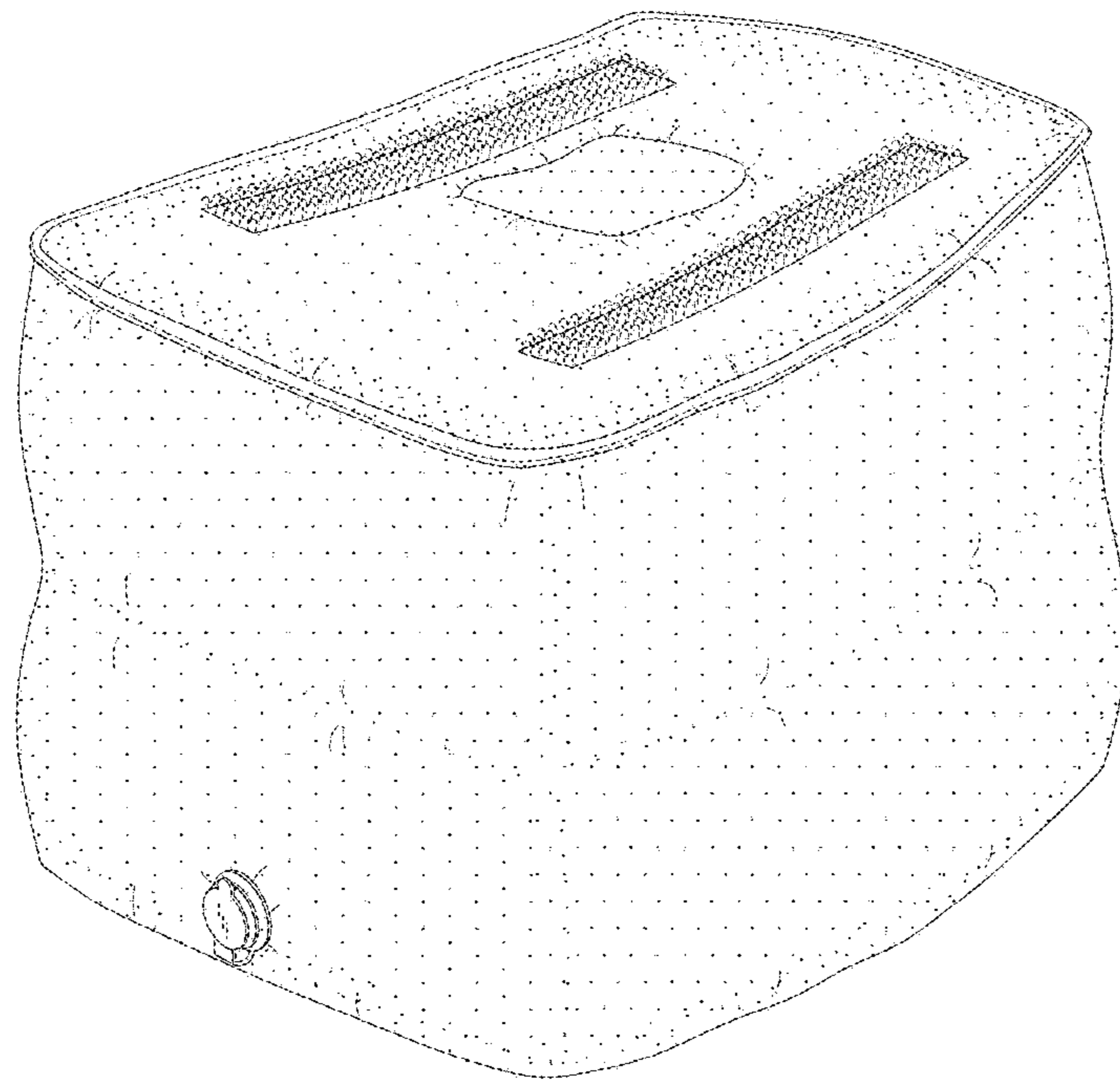


FIG.1

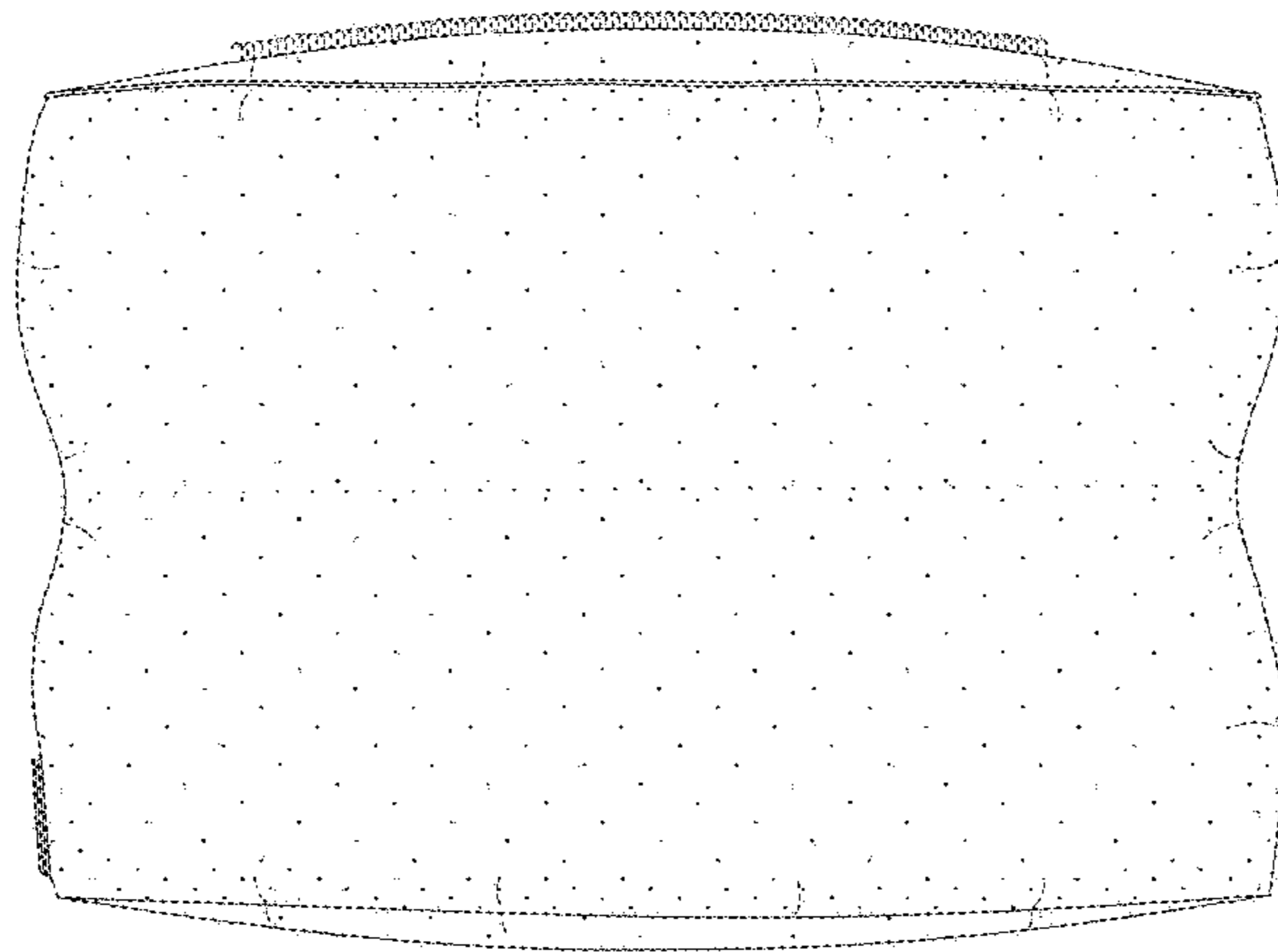


FIG. 2

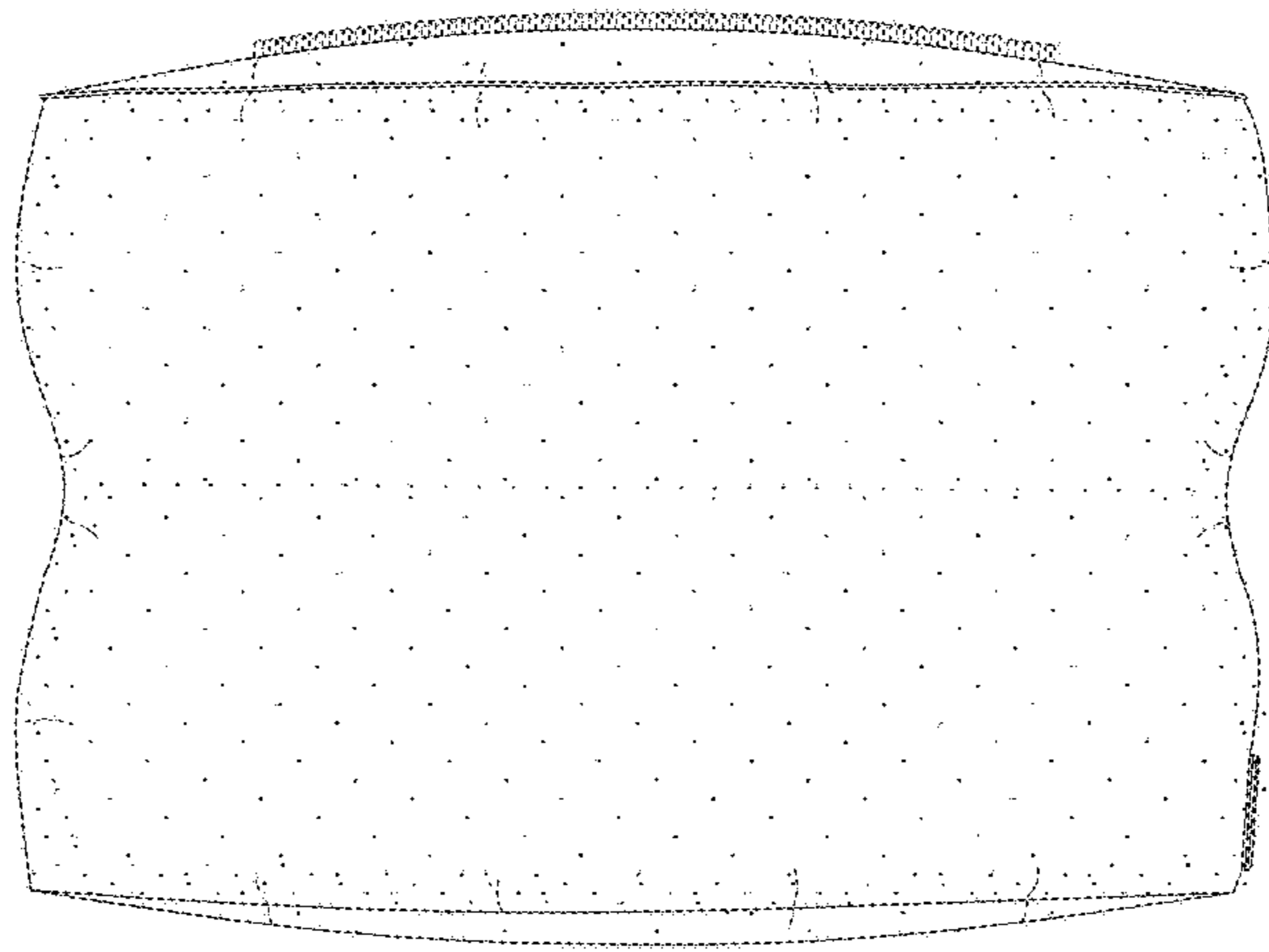


FIG.3

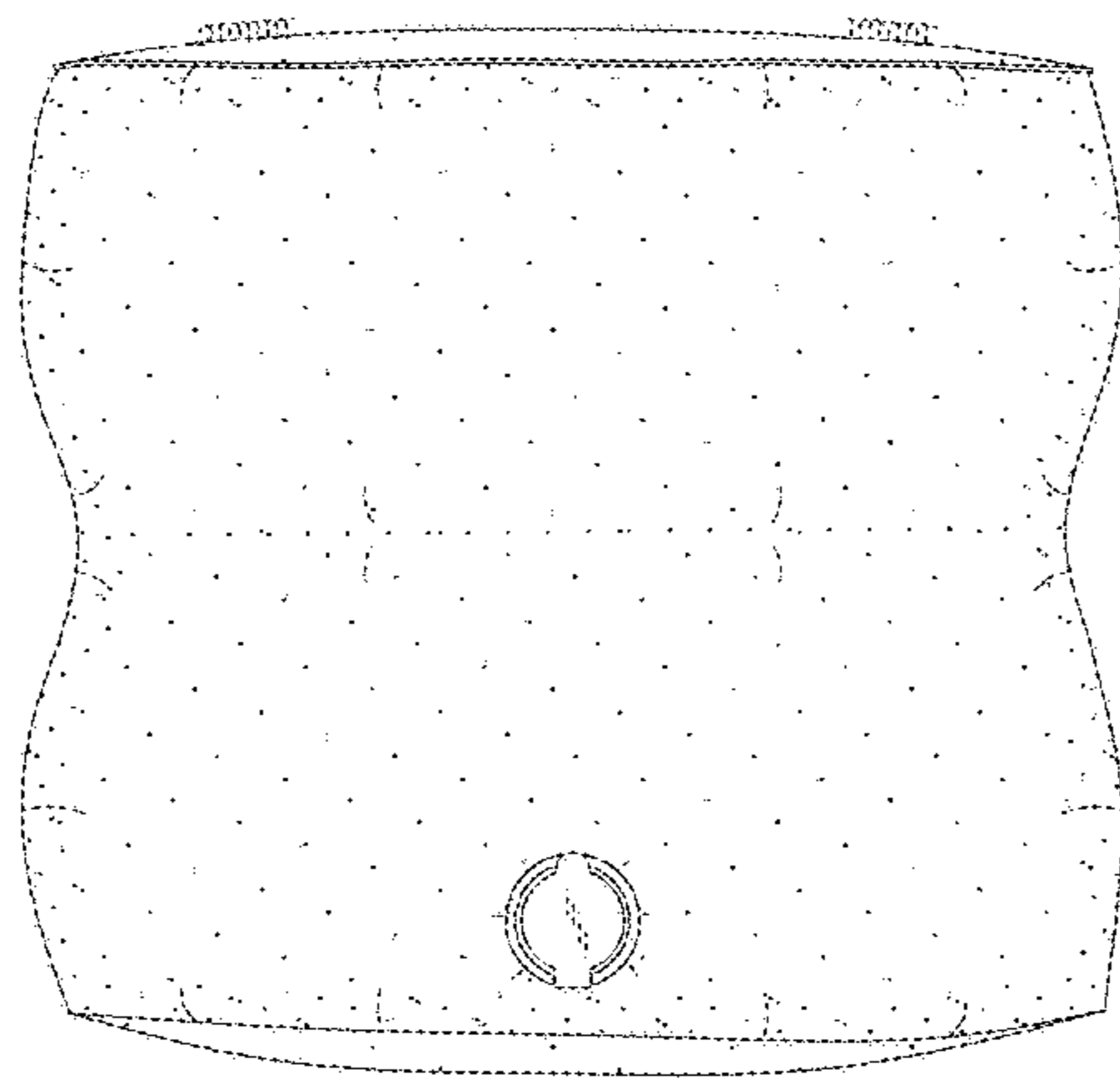


FIG.4

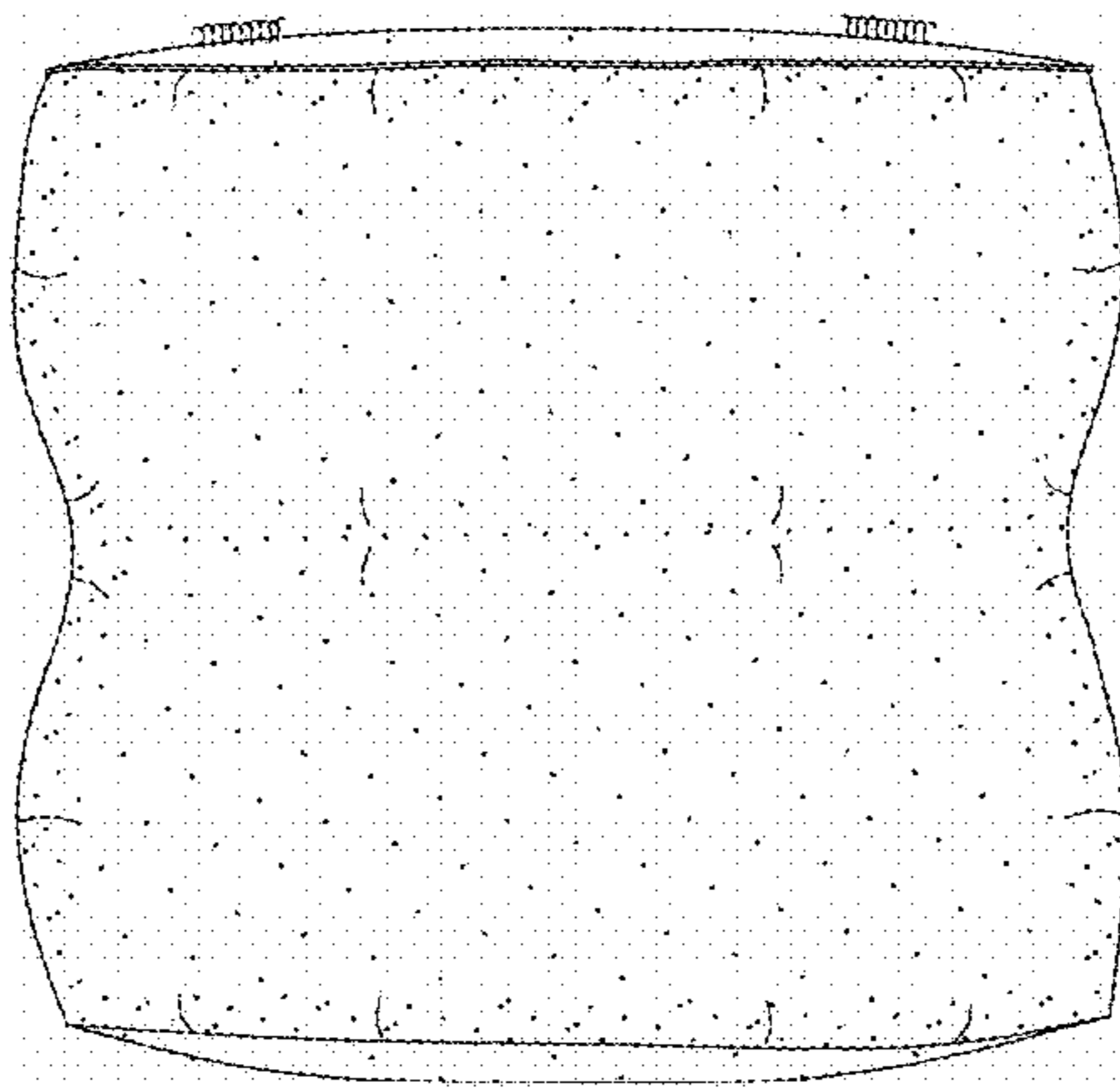


FIG. 5

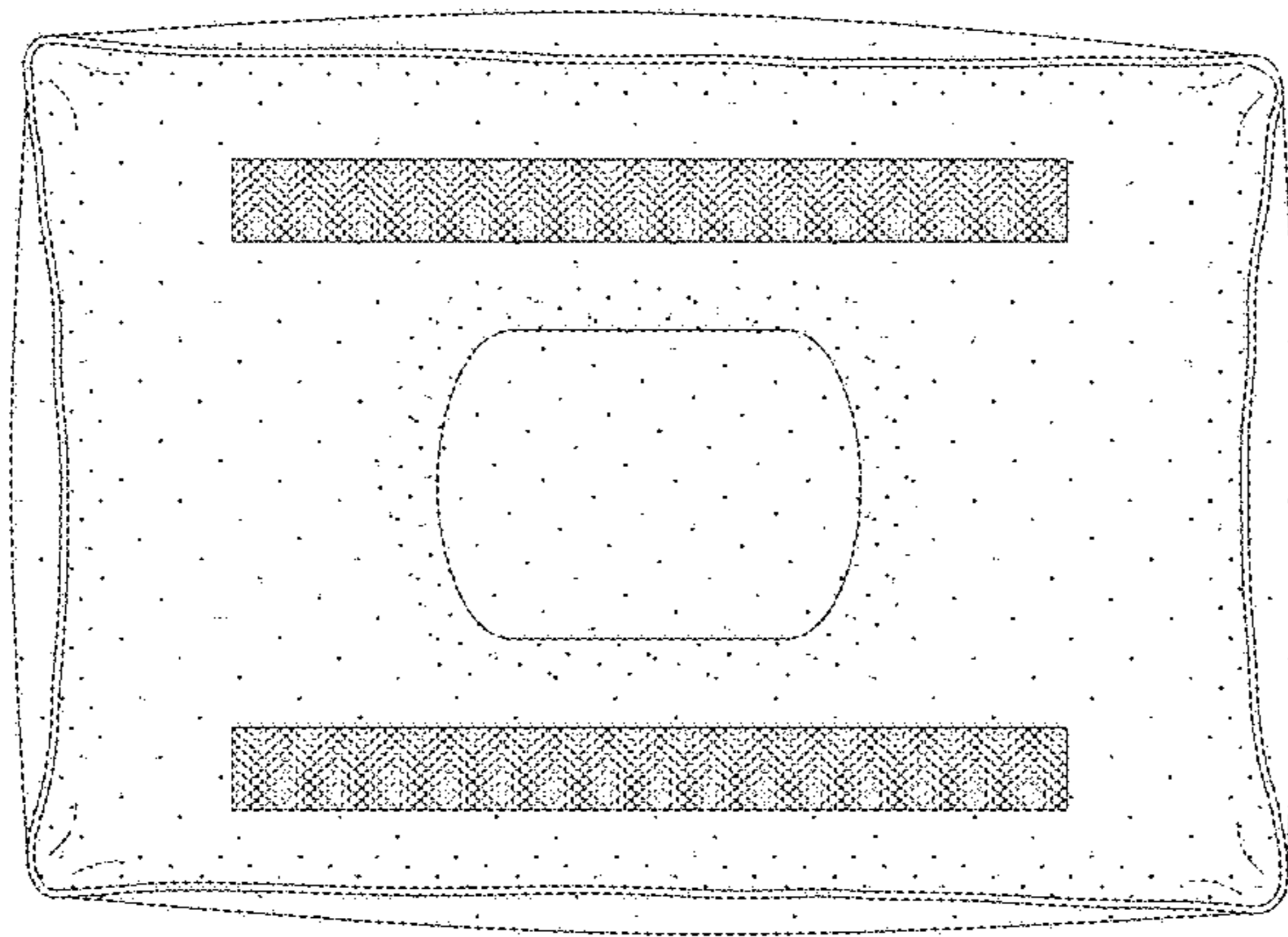


FIG. 6

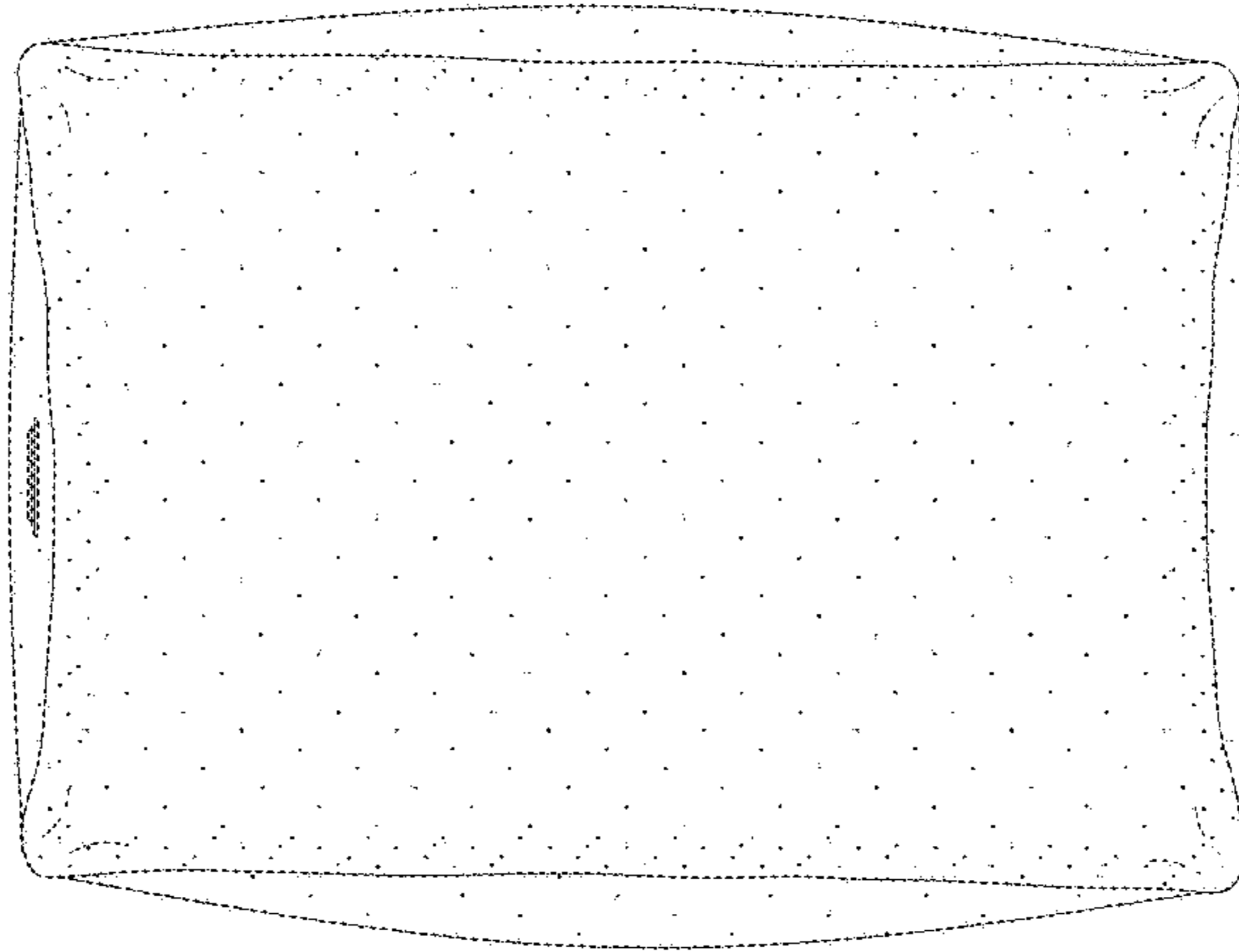


FIG.7

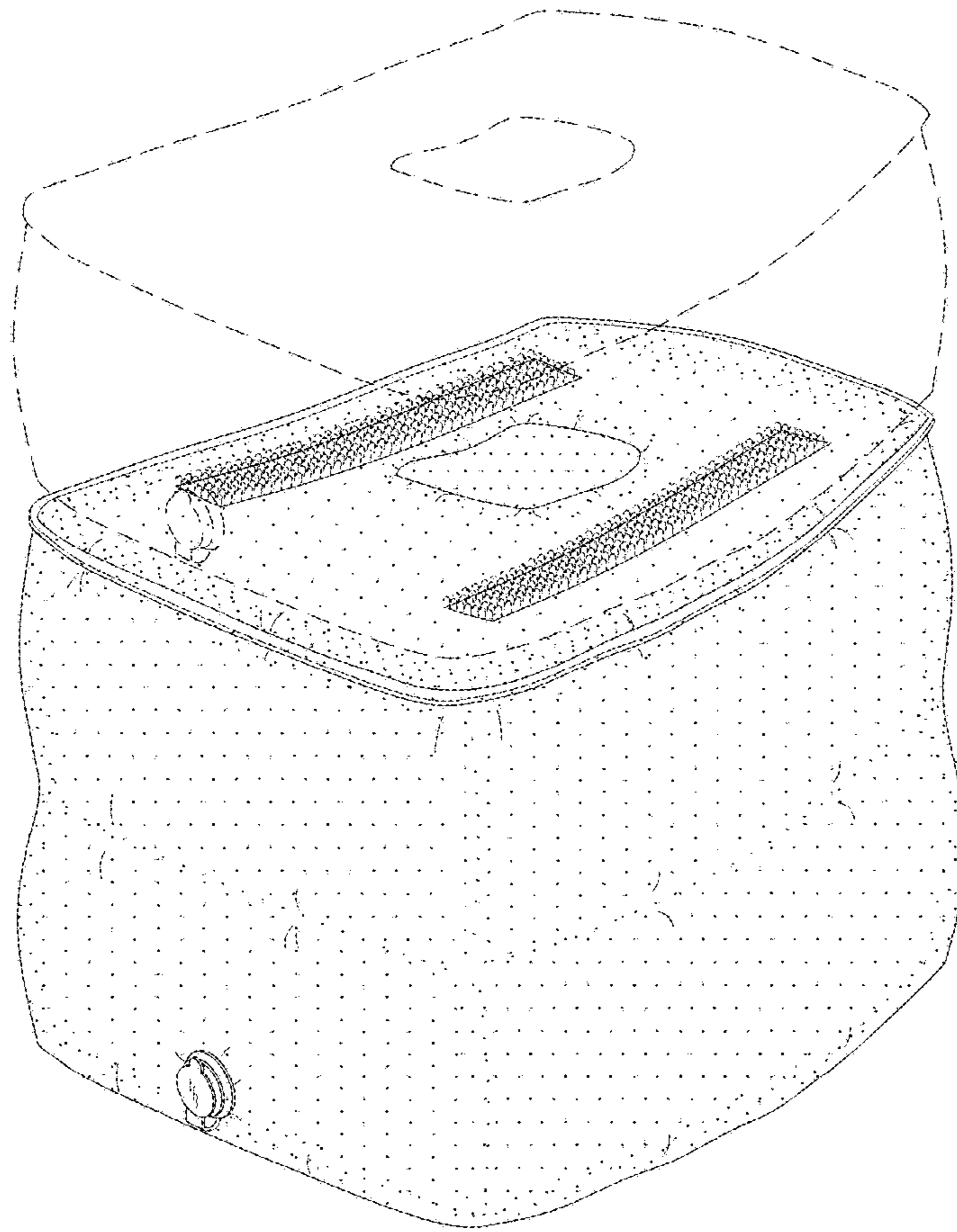


FIG.8

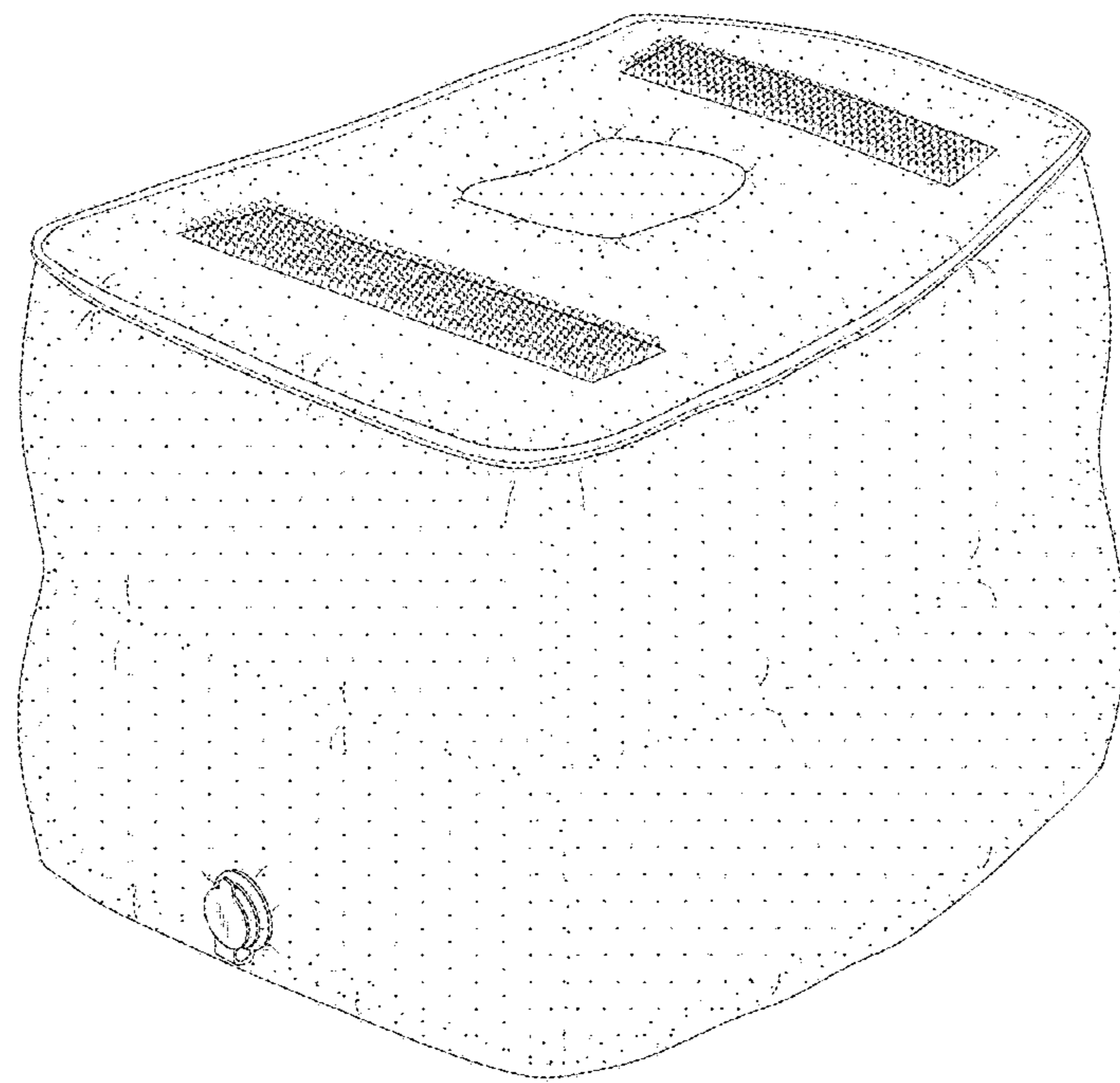


FIG.9