



US00D850805S

(12) **United States Design Patent**  
**Cui et al.**

(10) **Patent No.:** **US D850,805 S**  
(45) **Date of Patent:** **\*\* Jun. 11, 2019**

(54) **CAR SAFETY SEAT**

A47D 1/004; A47D 1/008; A47D 1/04;  
B62B 5/00; B62B 5/08

(71) Applicant: **Wonderland Switzerland AG,**  
Steinhausen (CH)

See application file for complete search history.

(72) Inventors: **Zongwang Cui,** Dongguan (CN);  
**Xiaosong Duan,** Dongguan (CN)

(56) **References Cited**

(73) Assignee: **WONDERLAND SWITZERLAND**  
**AG,** Steinhausen (CH)

U.S. PATENT DOCUMENTS

(\*\*) Term: **15 Years**

D385,116 S *	10/1997	Kiser .....	D6/333
D461,646 S *	8/2002	Kain .....	D6/333
D560,375 S *	1/2008	Grohs .....	D6/333
D630,448 S *	1/2011	Xu .....	D6/333
D686,001 S *	7/2013	Zhao .....	D6/333
D819,346 S *	6/2018	Fu .....	D6/333

(21) Appl. No.: **29/641,633**

\* cited by examiner

(22) Filed: **Mar. 23, 2018**

*Primary Examiner* — Abraham Bahta

(30) **Foreign Application Priority Data**

(74) *Attorney, Agent, or Firm* — Shimokaji IP

Nov. 15, 2017 (CN) ..... 2017 3 0563672

(51) **LOC (11) Cl.** ..... **06-01**

(52) **U.S. Cl.**  
USPC ..... **D6/333**

(57) **CLAIM**

The ornamental design for a car safety seat, as shown and described.

(58) **Field of Classification Search**

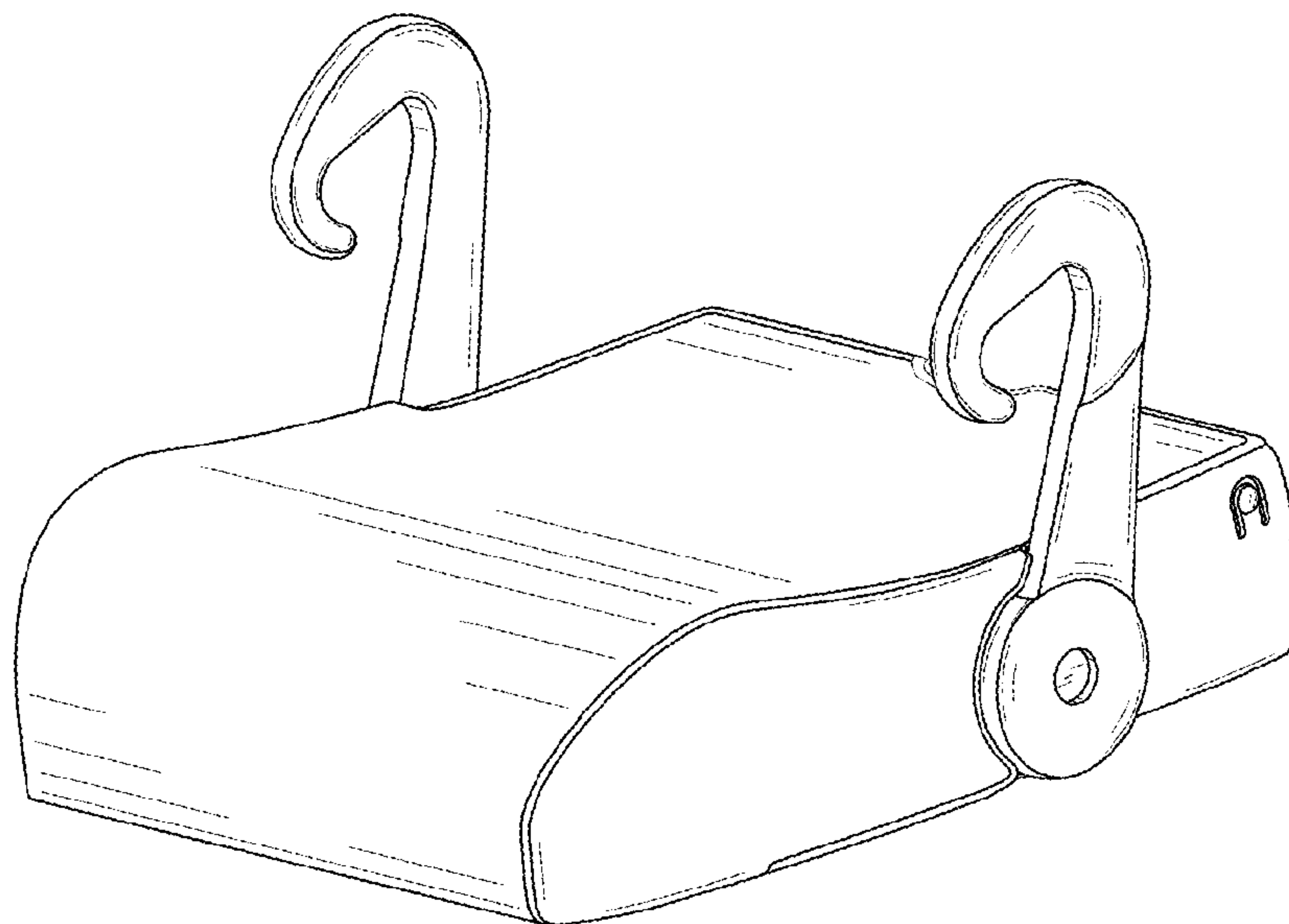
**DESCRIPTION**

USPC ..... D6/334-336, 338-339, 491, 333, 716,  
D6/716.1-716.7; D12/129; D21/412,  
D21/419; 280/30-31; 5/94, 98.1, 99.1,  
5/101, 105, 655; 297/183.1-183.4,  
297/184.13, 184.15, 184.17, 250.1, 256.1,  
297/255, 256.15, 256.16, 174 R, 174 CS,  
297/170-173, 136, 148, 27, 61, 68;  
4/572.1

CPC ..... B60N 2/2821; B60N 2/02; B60N 2/10;  
B60N 2/16; B60N 2/22; B60N 2/26;  
B60N 2/24; B60N 2002/0212; B60N  
2002/0216; B60N 2002/022; A47D 13/02;  
A47D 13/083; A47D 1/00; A47D 1/002;

FIG. 1 is a front elevation view of a car safety seat showing our design;  
FIG. 2 is a rear elevational view thereof;  
FIG. 3 is a left side elevational view thereof;  
FIG. 4 is a right side elevational view thereof;  
FIG. 5 is a top plan view thereof;  
FIG. 6 is a bottom plan view thereof;  
FIG. 7 is a perspective view thereof; and,  
FIG. 8 is another perspective view thereof.  
The portion shown in broken lines is for illustrative purposes only and forms no part of the claimed design.

**1 Claim, 4 Drawing Sheets**



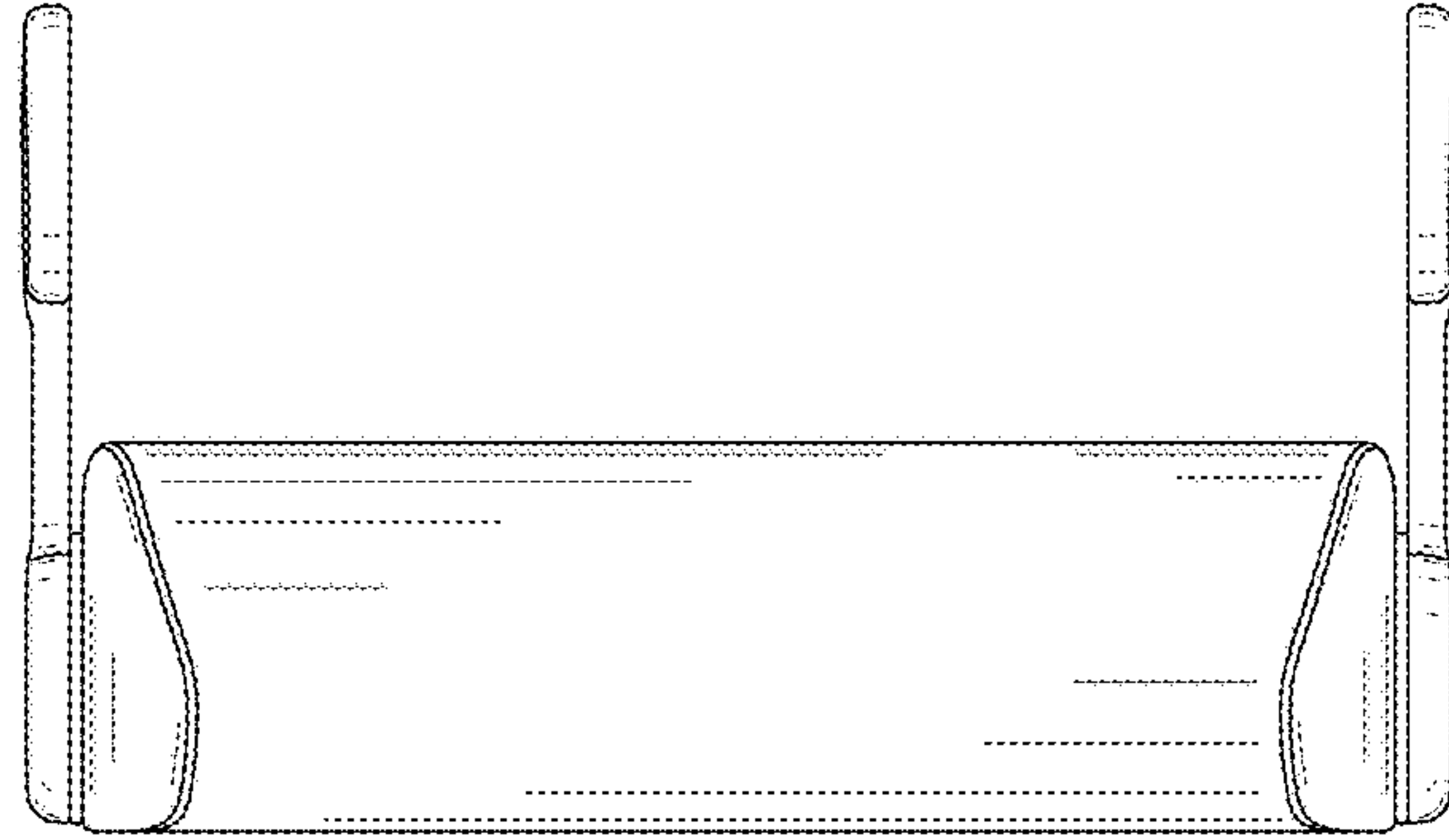


FIG.1

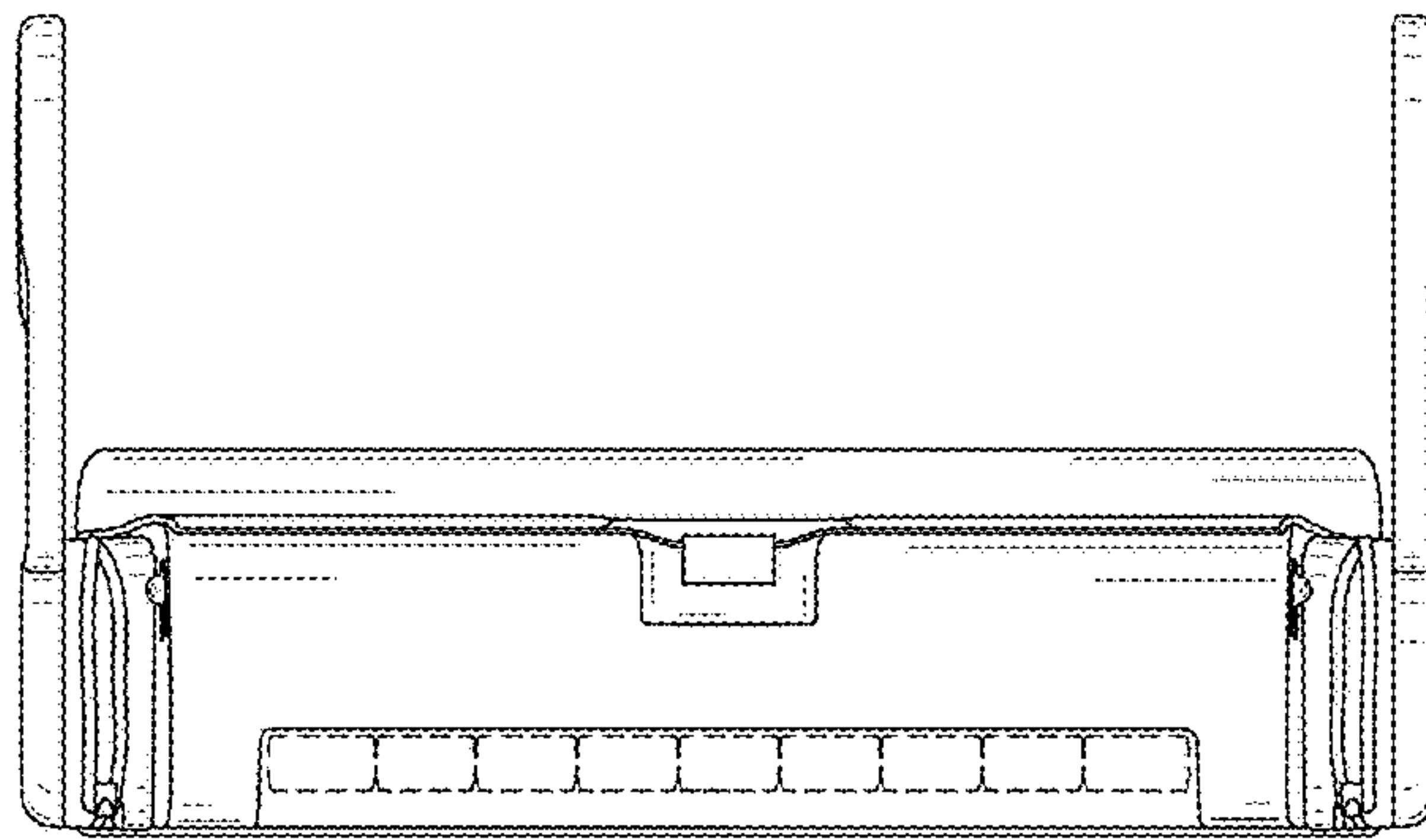


FIG.2

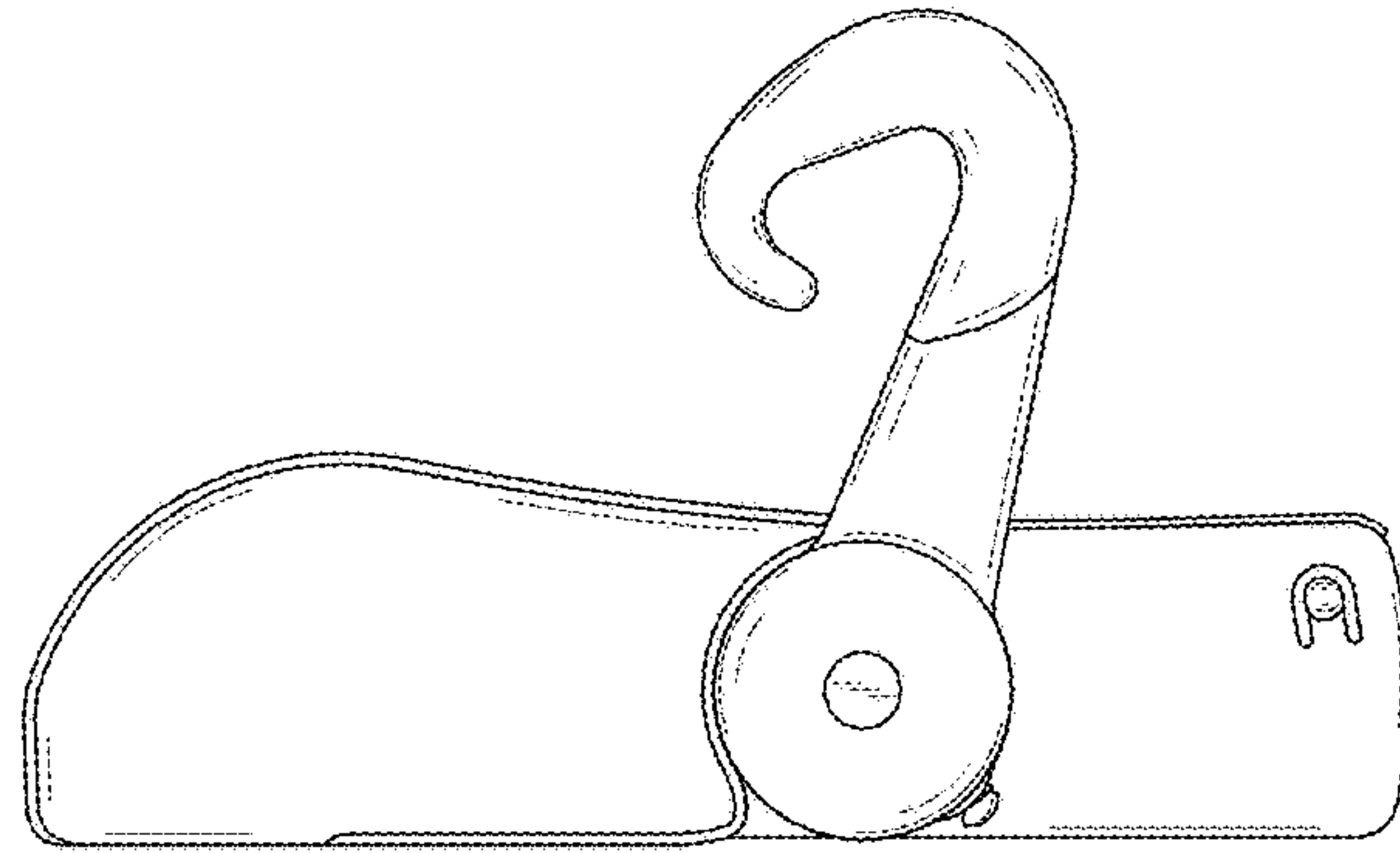


FIG.3

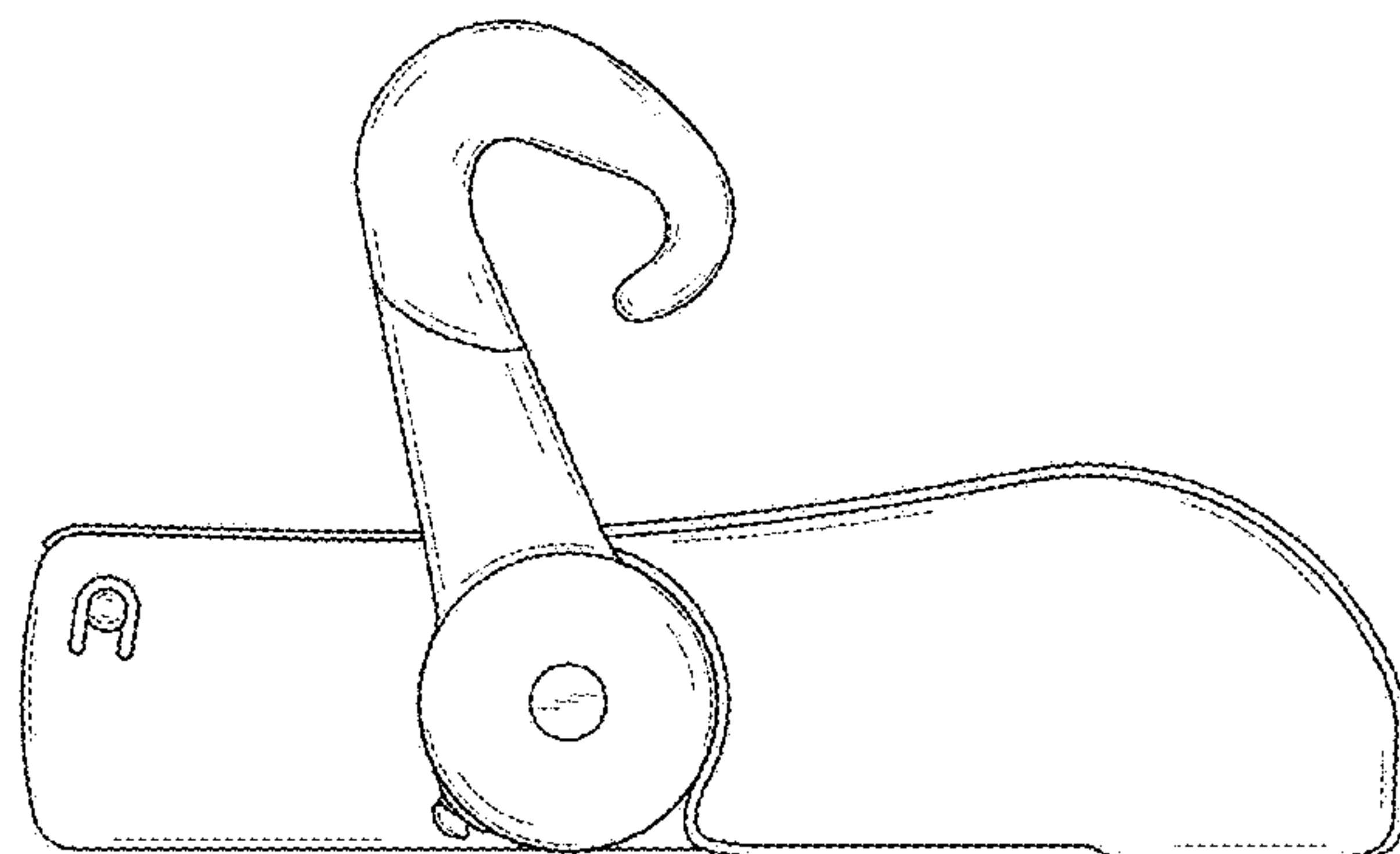


FIG.4

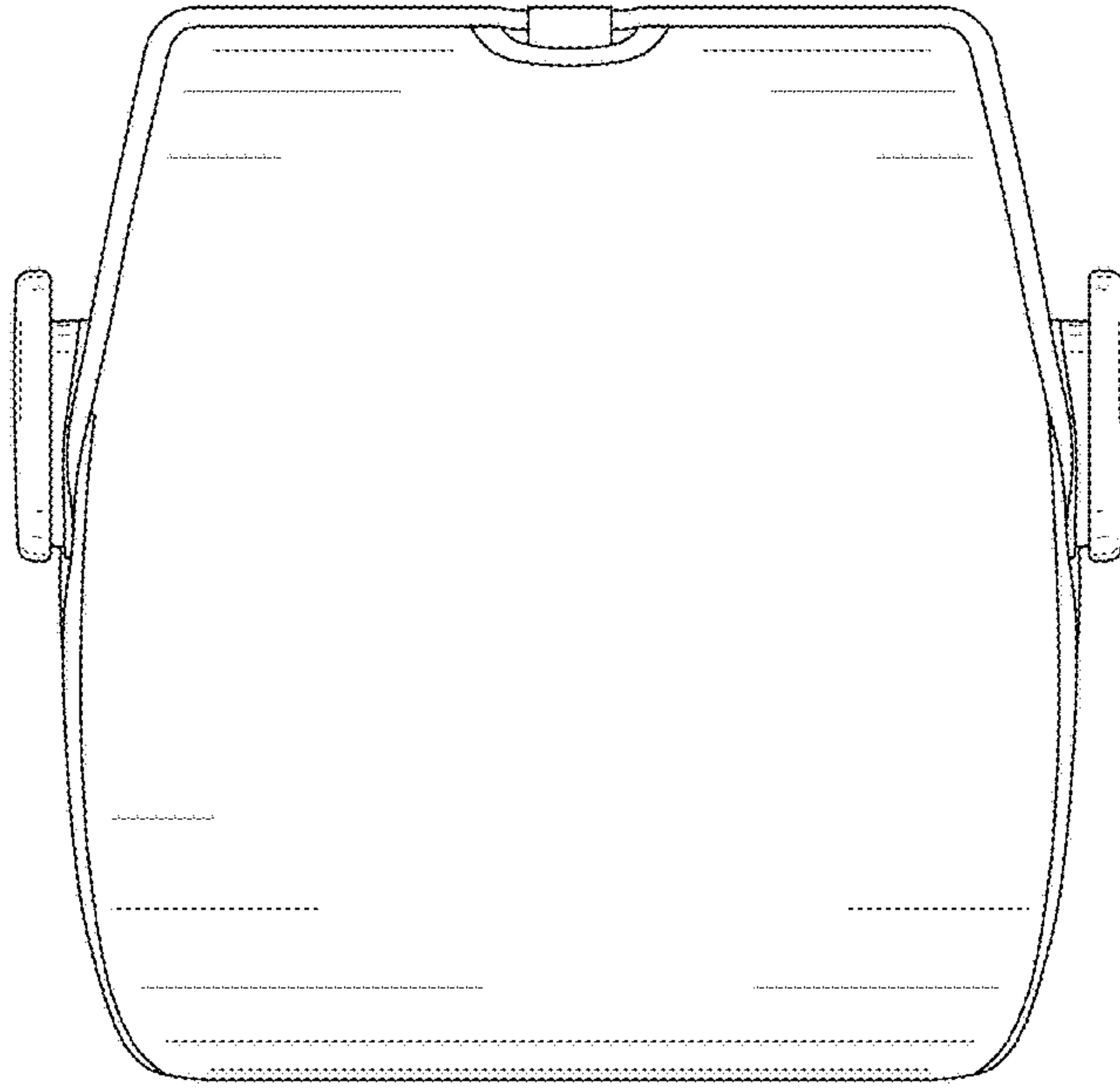


FIG.5

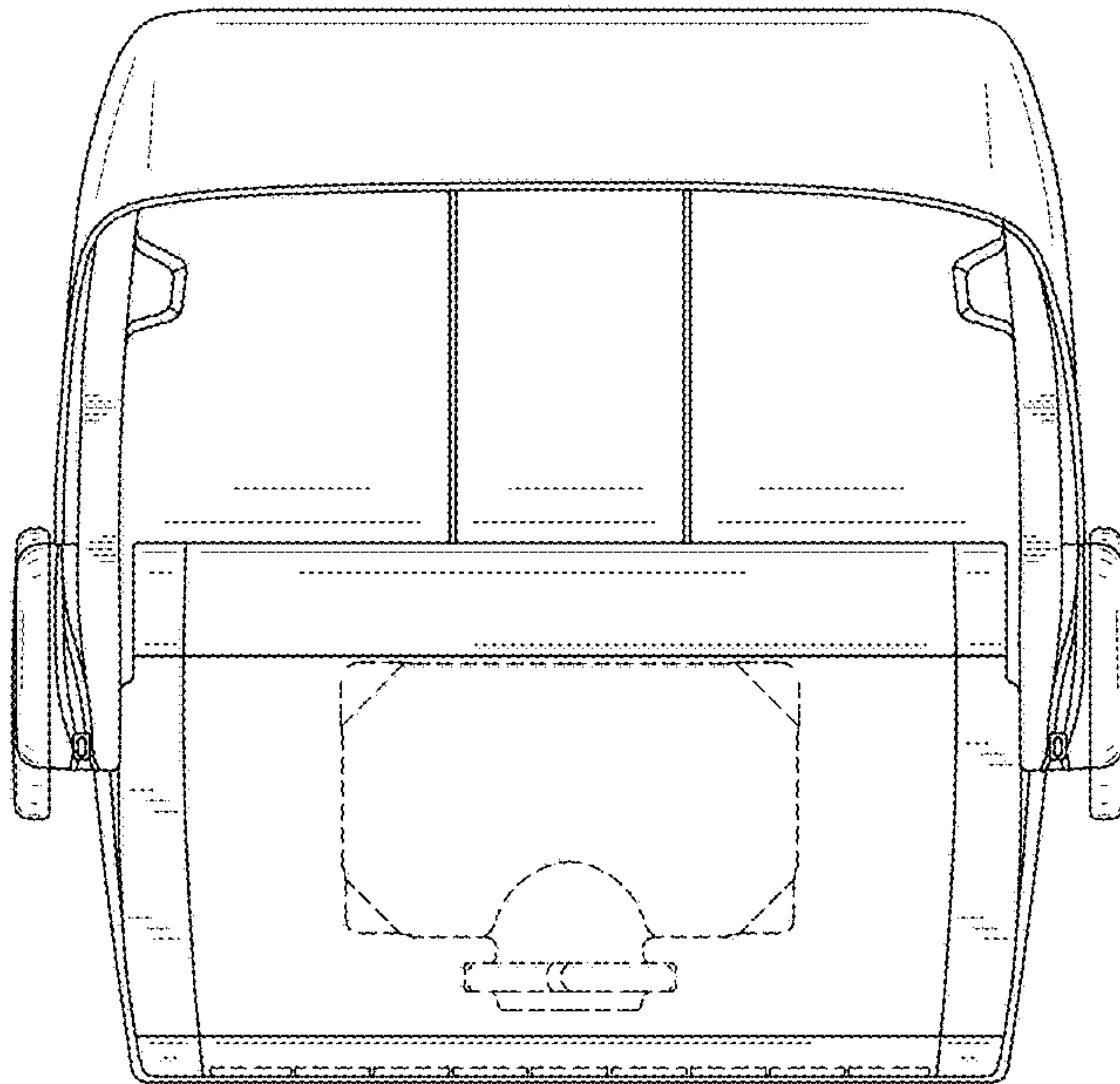


FIG.6

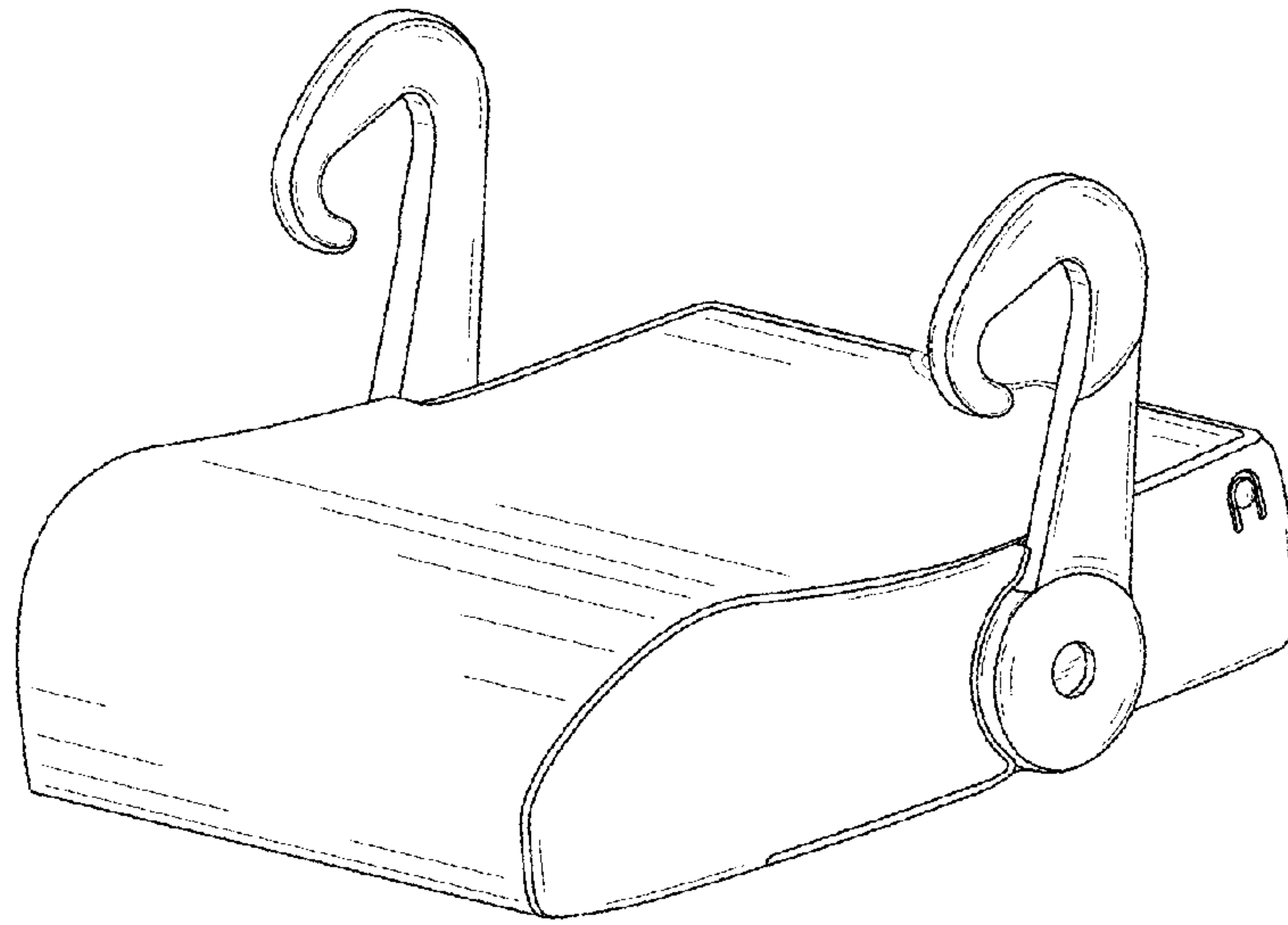


FIG. 7

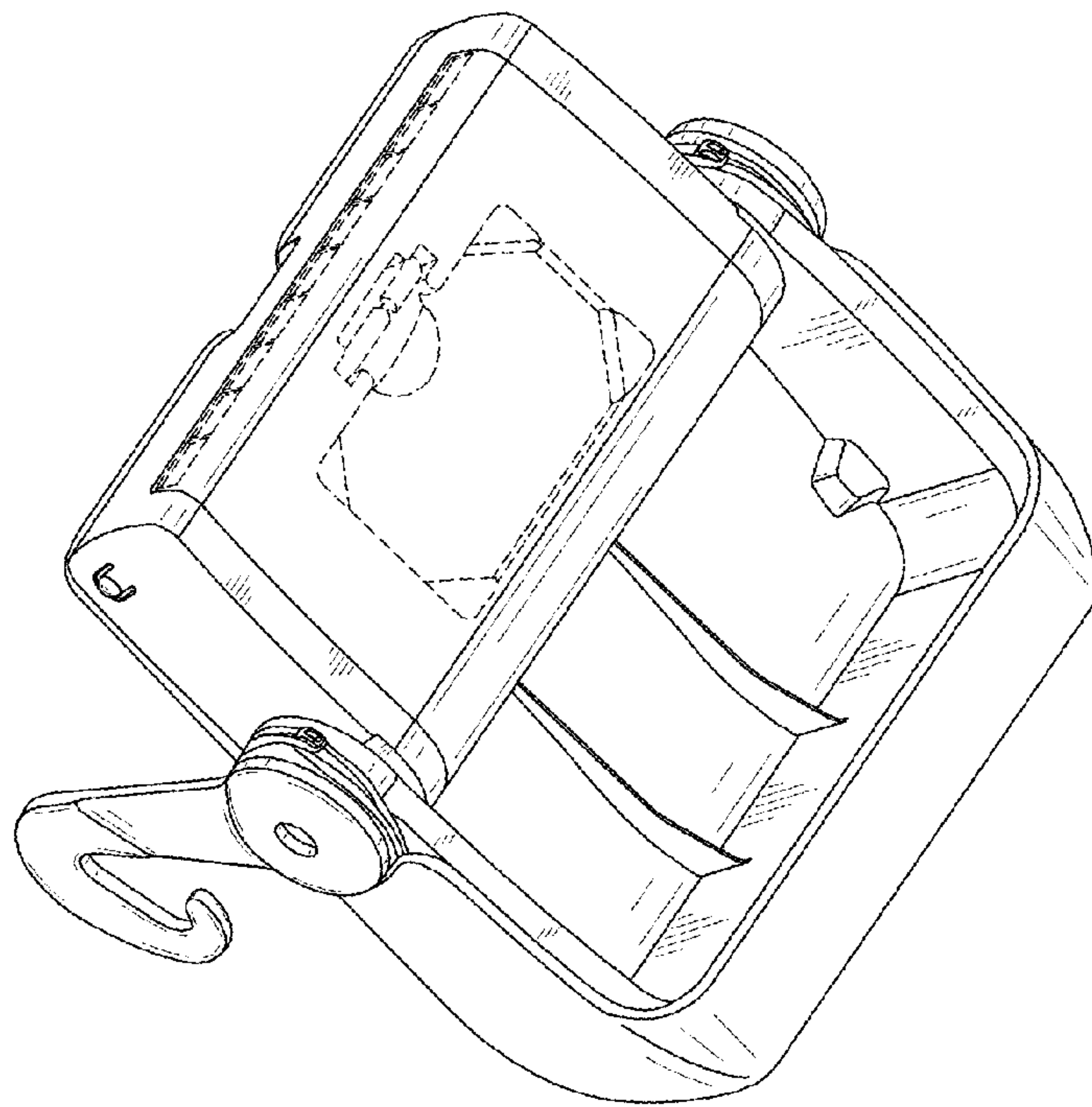


FIG. 8