



US00D850804S

(12) **United States Design Patent** (10) **Patent No.:** **US D850,804 S**
Andersson et al. (45) **Date of Patent:** **** Jun. 11, 2019**

(54) **BOOSTER SEAT**

(71) Applicant: **BabyBjörn AB**, Solna (SE)

(72) Inventors: **Henrik Andersson**, Reftete (SE);
Magnus Klasson, Reftete (SE)

(73) Assignee: **BabyBjörn AB**, Solna (SE)

(**) Term: **15 Years**

(21) Appl. No.: **29/638,035**

(22) Filed: **Feb. 23, 2018**

(30) **Foreign Application Priority Data**

Sep. 20, 2017 (EM) 004363893

(51) **LOC (11) Cl.** **06-01**

(52) **U.S. Cl.**
USPC **D6/333**

(58) **Field of Classification Search**

USPC D6/333-336, 339-341, 344, 381, 491;
297/250.1, 255, 256.15, 183.1-183.4,
297/184.15, 184.17, 256.16, 16.1, 270.2,
297/452.13, 271.76, 258.1, 440.24;
D12/129-130, 133; D21/419, 412, 688;
280/30-31
CPC A47C 4/54; A47C 4/00; A47C 4/02; A47C
4/04; A47C 4/18; A47C 4/28; A47C
7/021; A47C 7/022; A47C 31/11; A47C
1/00; A47C 1/024; A47C 1/031; A47C
1/06; A47C 3/029; A47C 3/025; A47C
3/021

See application file for complete search history.

(56) **References Cited**

U.S. PATENT DOCUMENTS

D550,477 S * 9/2007 Probst D6/406.5
D656,749 S * 4/2012 Bergkvist D6/333
D786,570 S * 5/2017 Denton A47K 3/024
D6/333
D788,478 S * 6/2017 Sumroy D6/333

* cited by examiner

Primary Examiner — Abraham Bahta

(74) *Attorney, Agent, or Firm* — Studebaker & Brackett
PC

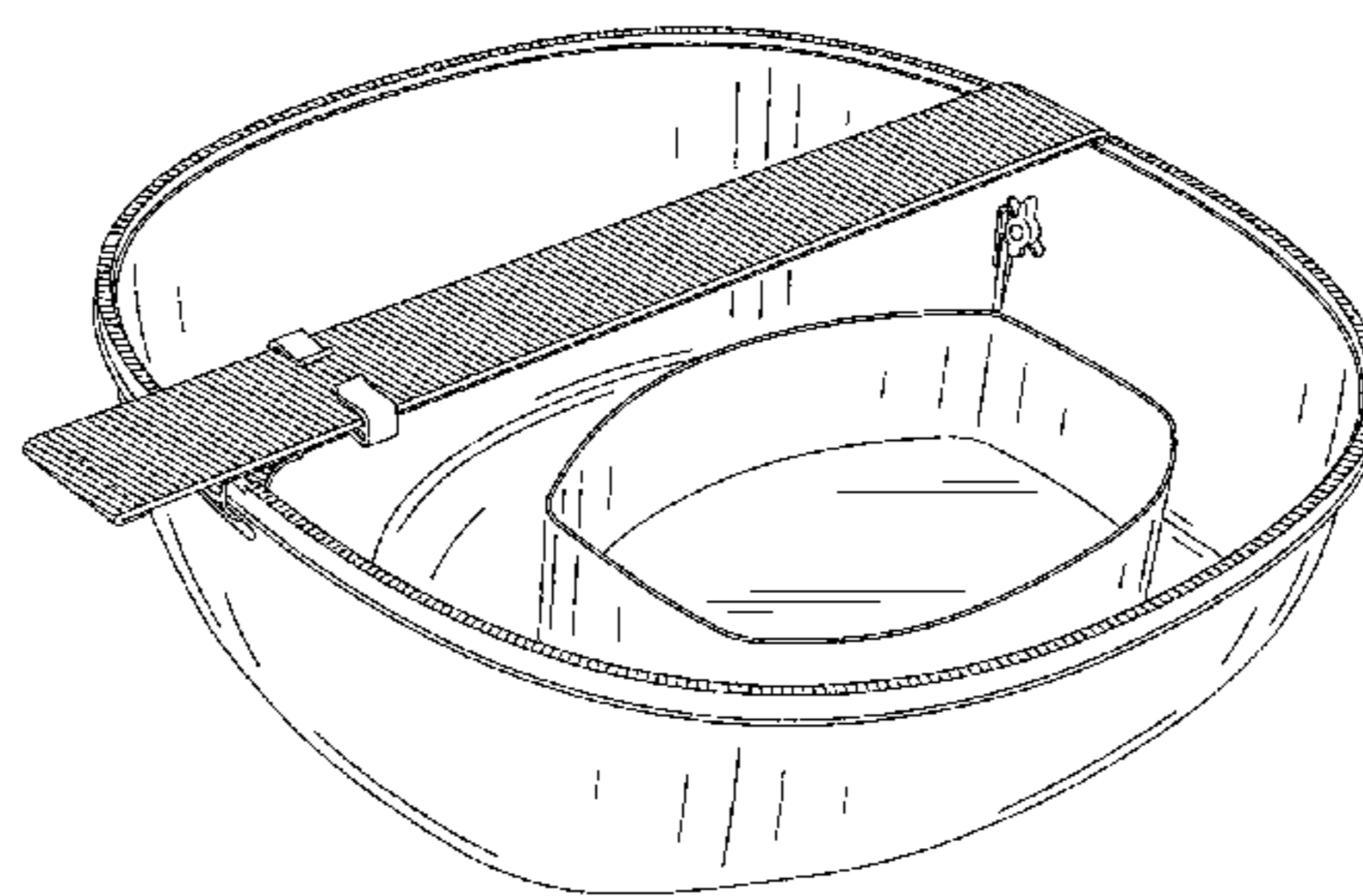
(57) **CLAIM**

The ornamental design for a booster seat, as shown and described.

DESCRIPTION

FIG. 1 is a front perspective view showing my new design for a booster seat,
FIG. 2 is another front perspective view showing a strap in an alternate position,
FIG. 3 is a top view thereof,
FIG. 4 is a bottom view thereof,
FIG. 5 is a front view thereof,
FIG. 6 is a rear view thereof,
FIG. 7 is a left side view thereof; and,
FIG. 8 is a right side view thereof.

1 Claim, 8 Drawing Sheets



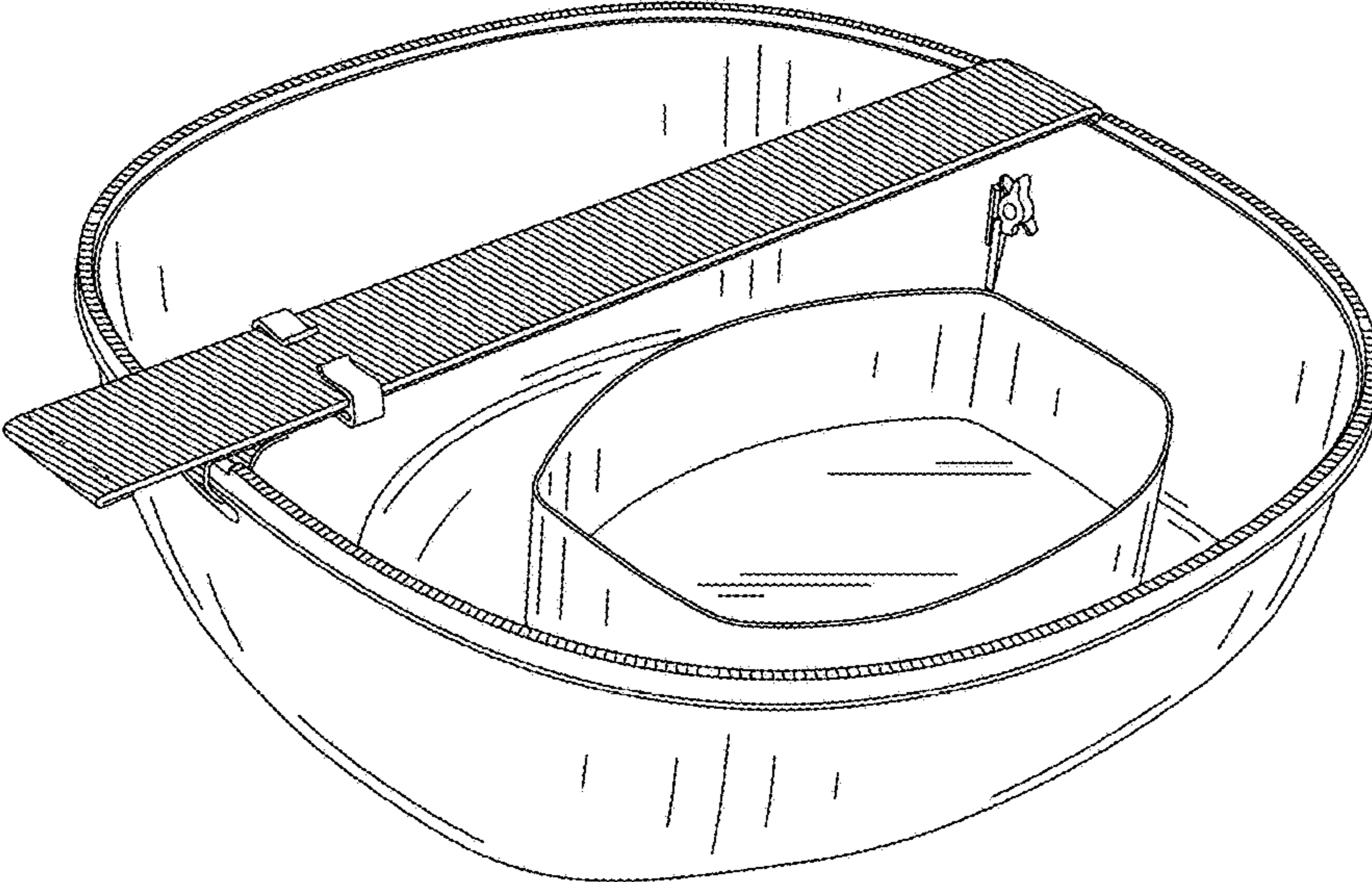


FIG. 1

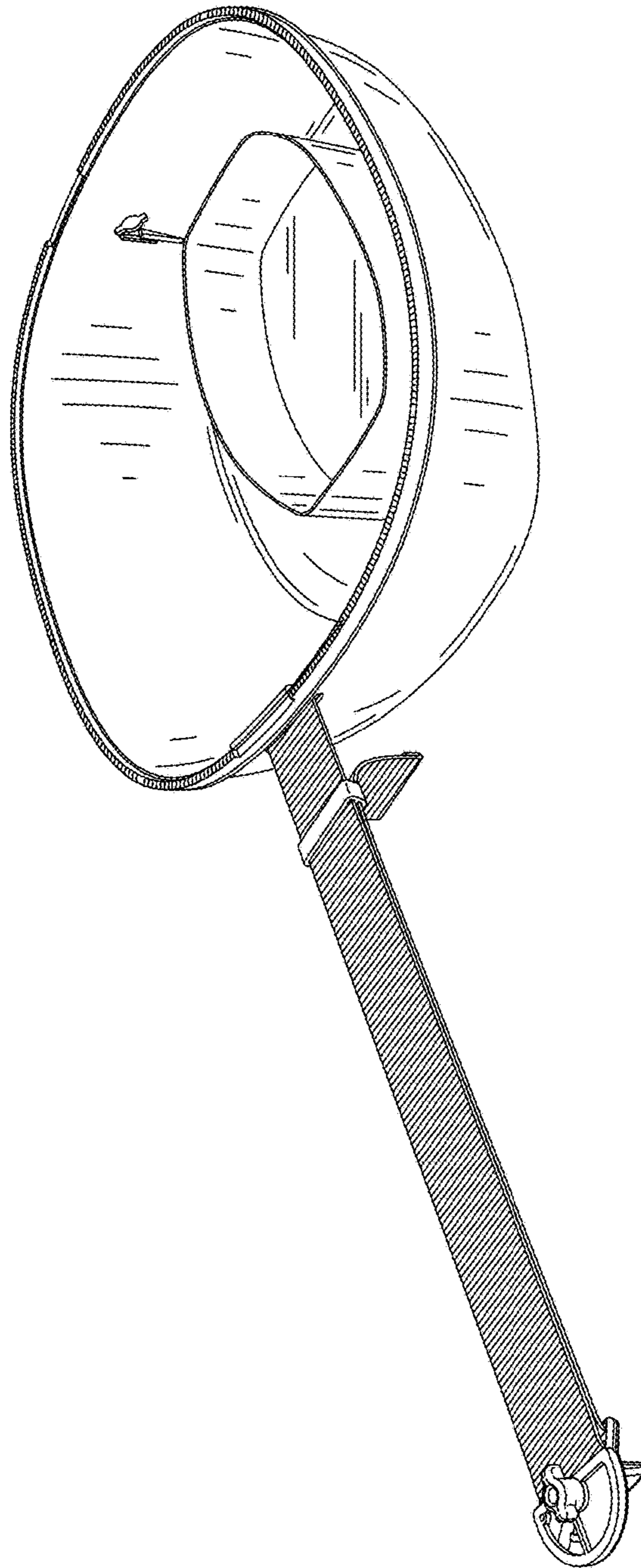


FIG. 2

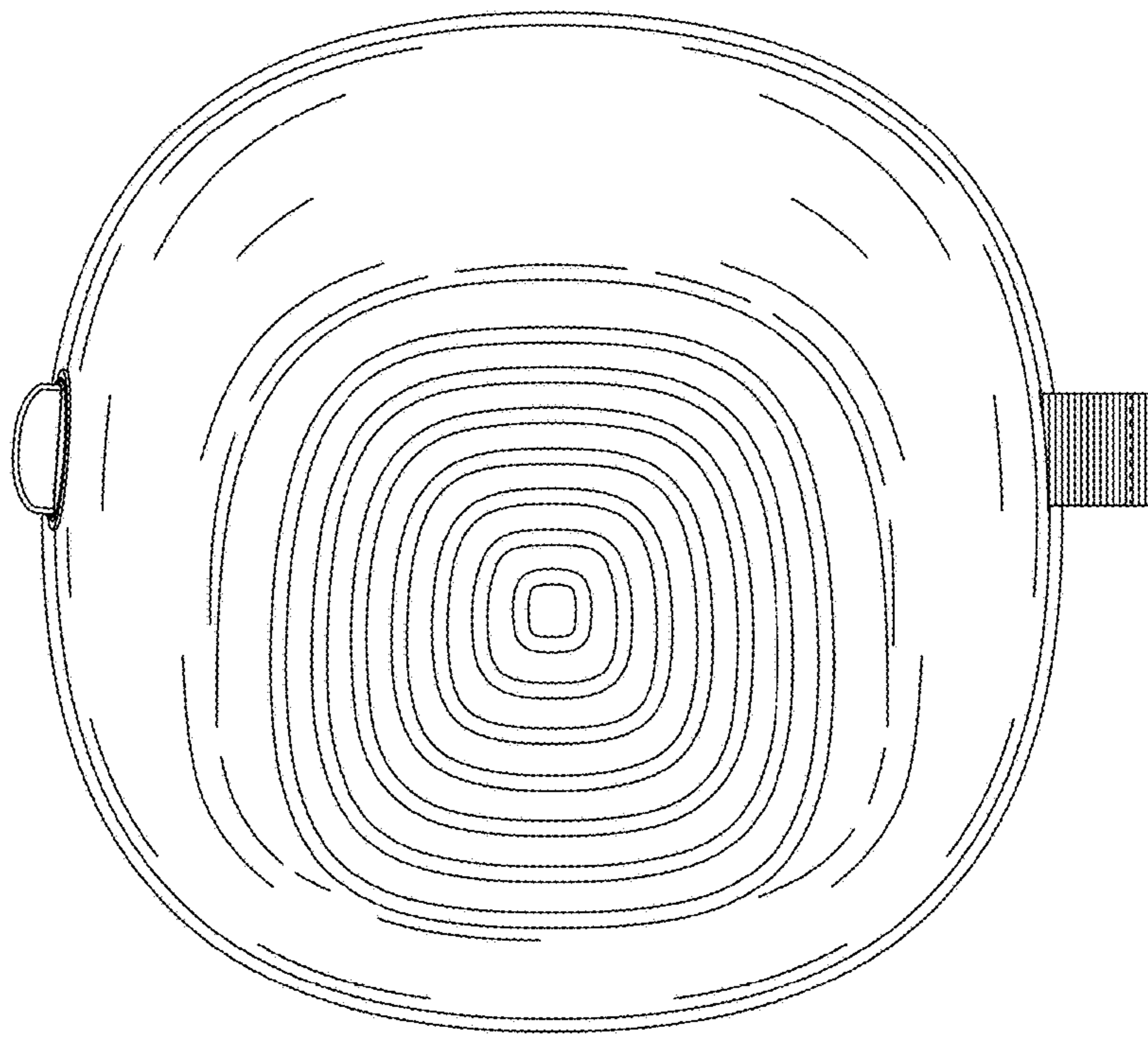


FIG. 3

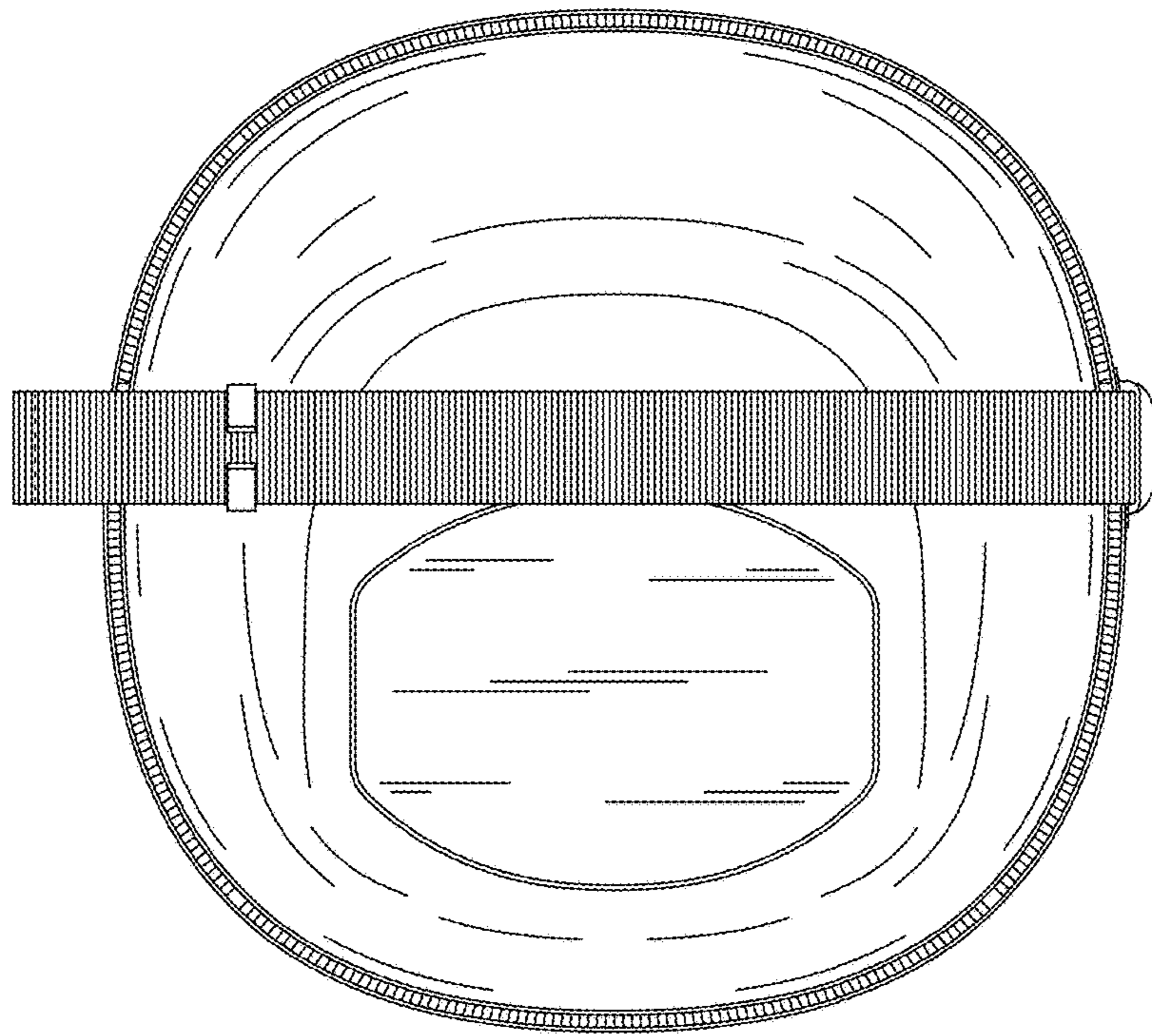


FIG. 4

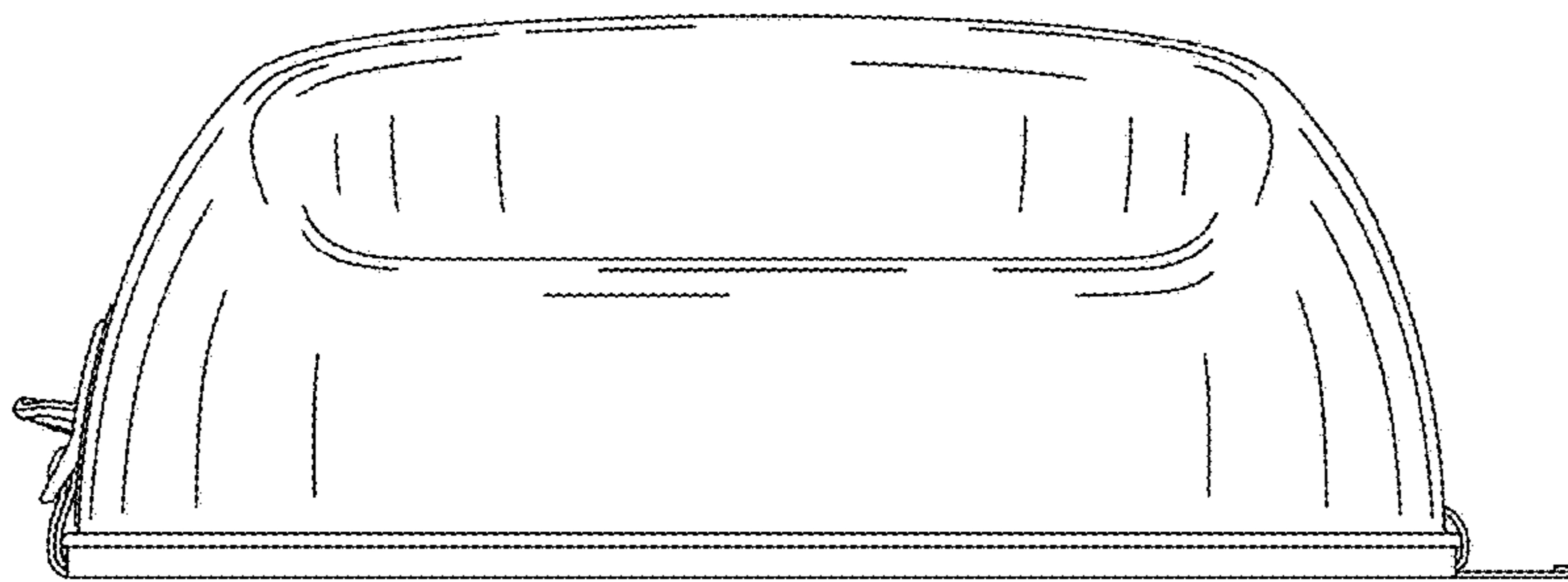


FIG. 5

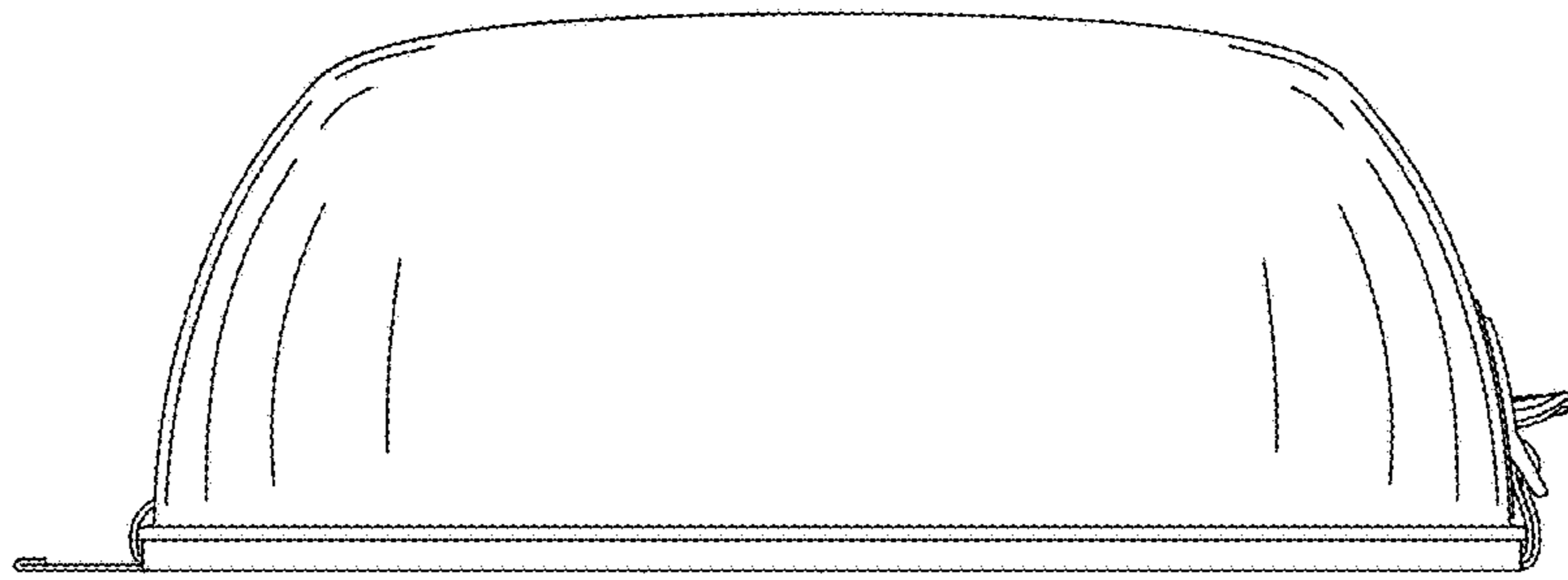


FIG. 6

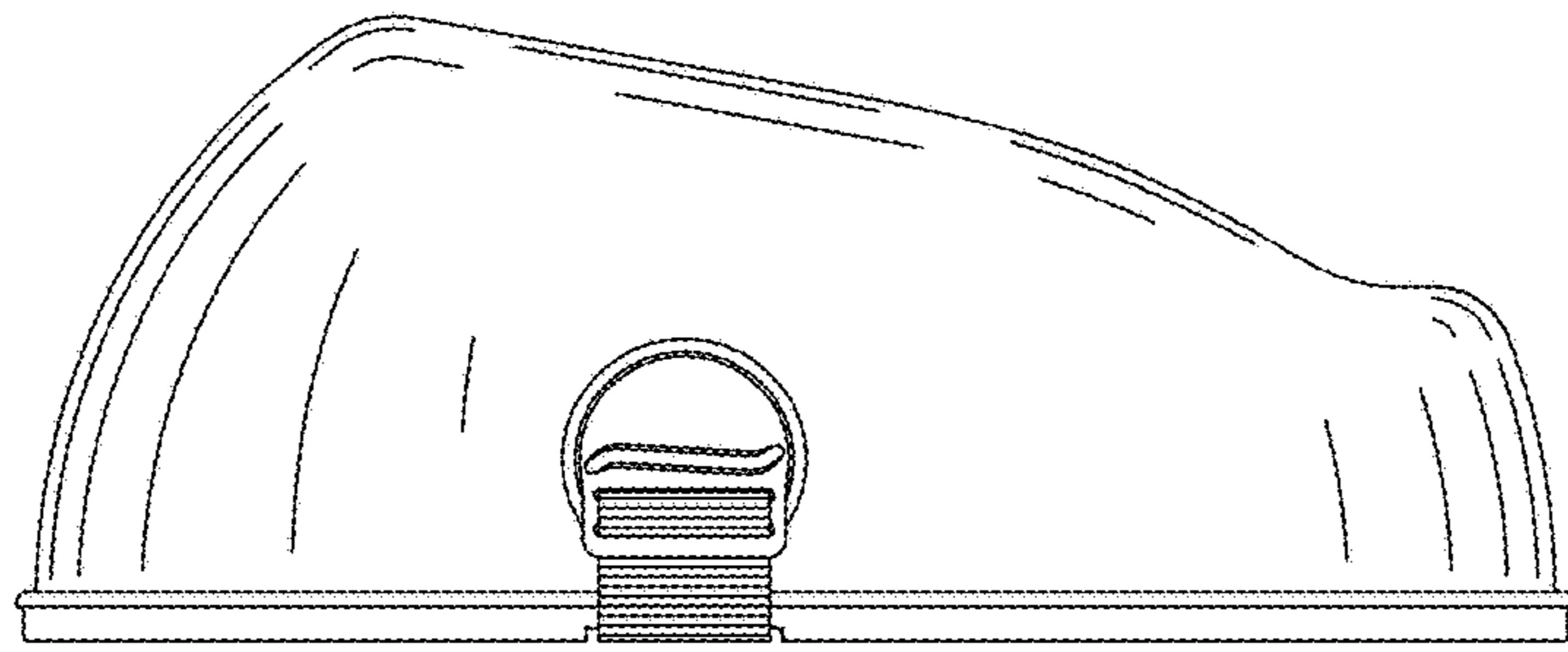


FIG. 7

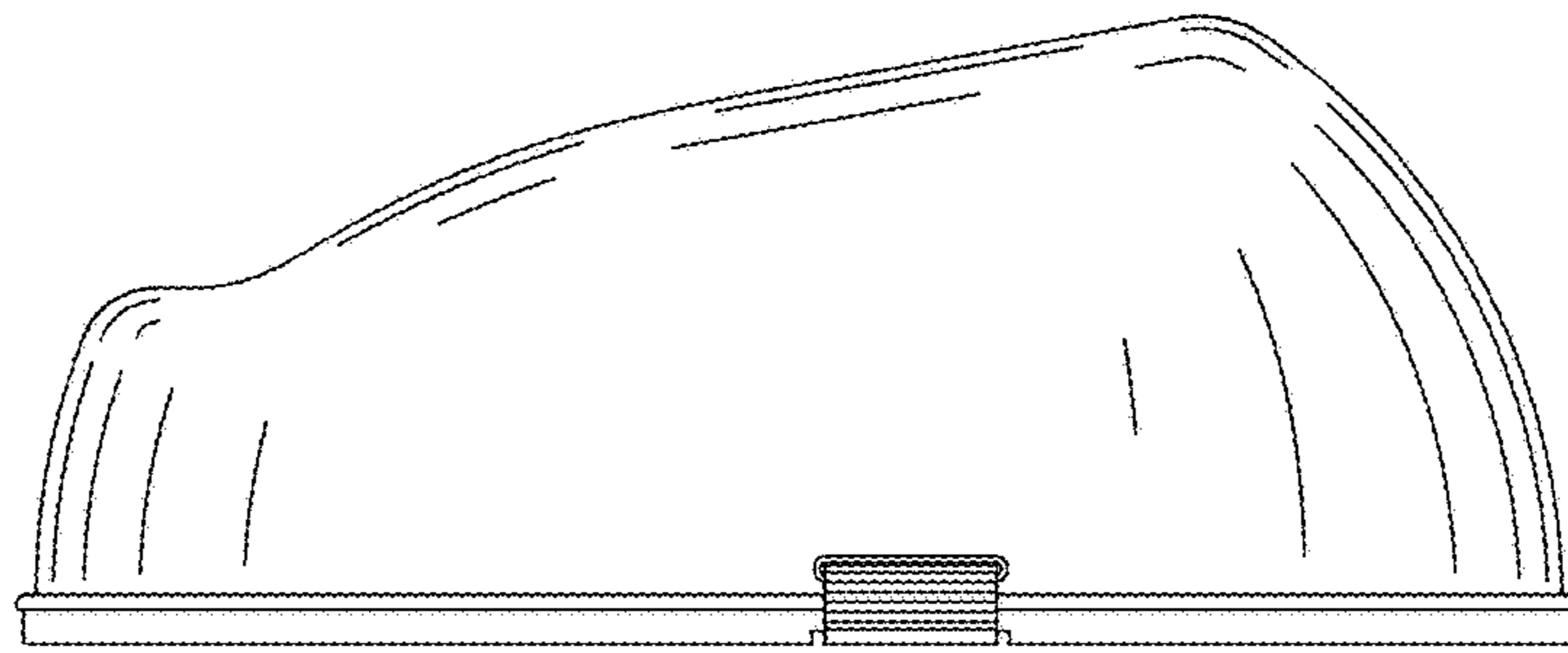


FIG. 8