



US00D850802S

(12) **United States Design Patent**  
**Kariker**

(10) **Patent No.: US D850,802 S**

(45) **Date of Patent: \*\* \*Jun. 11, 2019**

- (54) **GARMENT HANGER**
- (71) Applicant: **Walmart Apollo, LLC**, Bentonville, AR (US)
- (72) Inventor: **Kenny Kariker**, Bentonville, AR (US)
- (73) Assignee: **Walmart Apollo, LLC**, Bentonville, AR (US)
- (\*) Notice: This patent is subject to a terminal disclaimer.
- (\*\*) Term: **15 Years**
- (21) Appl. No.: **29/649,367**
- (22) Filed: **May 29, 2018**
- (51) **LOC (11) Cl. .... 06-08**
- (52) **U.S. Cl.**  
USPC ..... **D6/318**
- (58) **Field of Classification Search**  
USPC ..... D6/315-328  
CPC ..... A47G 25/32; A47G 25/26; A47G 25/28; A47G 25/485; A47G 25/487; A47G 25/20; A47G 25/481; A47G 25/442; A47G 25/24; A47G 25/48; A47G 25/486; A47G 25/36; A47G 25/1407; A47G 25/30; A47G 25/14; A47G 25/743; A47G 25/1457

See application file for complete search history.

(56) **References Cited**

**U.S. PATENT DOCUMENTS**

- D144,679 S \* 5/1946 Bolten ..... 223/88
- D195,445 S \* 6/1963 Warmath ..... D6/318
- D196,623 S \* 10/1963 Warmath ..... D6/318
- 4,948,019 A \* 8/1990 Rodum ..... A47G 25/4023  
223/88
- 5,071,045 A \* 12/1991 Hollis ..... A47G 25/34  
223/85
- 5,183,191 A 2/1993 Garrison et al.

- D348,987 S \* 7/1994 Gouldson ..... D6/326
- 5,346,110 A \* 9/1994 Petrou ..... A47G 25/30  
223/85
- 5,383,584 A \* 1/1995 Adams ..... A47G 25/4023  
223/89
- D368,376 S 4/1996 Gouldson et al.
- 5,509,587 A 4/1996 Gouldson et al.
- D371,246 S \* 7/1996 Gouldson ..... D6/326
- D388,620 S \* 1/1998 Gouldson ..... D6/326
- 5,778,575 A 7/1998 Deupree et al.
- 5,992,714 A \* 11/1999 Morgan ..... A47G 25/485  
223/96
- 6,540,121 B1 \* 4/2003 Harvey ..... A47G 25/4023  
223/85
- 6,779,695 B2 8/2004 Matkovich
- D515,321 S 2/2006 Sutton et al.
- 8,113,394 B2 \* 2/2012 Ho ..... G09F 3/20  
223/85
- 8,302,826 B2 11/2012 Gouldson
- 9,414,703 B2 \* 8/2016 Levine ..... A47G 25/403

(Continued)

**FOREIGN PATENT DOCUMENTS**

CN 201008497 1/2008

*Primary Examiner* — Lauren R Calve

(74) *Attorney, Agent, or Firm* — Barta, Jones & Foley, P.C.

(57) **CLAIM**

The ornamental design for a garment hanger, as shown and described.

**DESCRIPTION**

FIG. 1 is a perspective view of a garment hanger of the present invention;

FIG. 2 is a front view thereof;

FIG. 3 is a back view thereof;

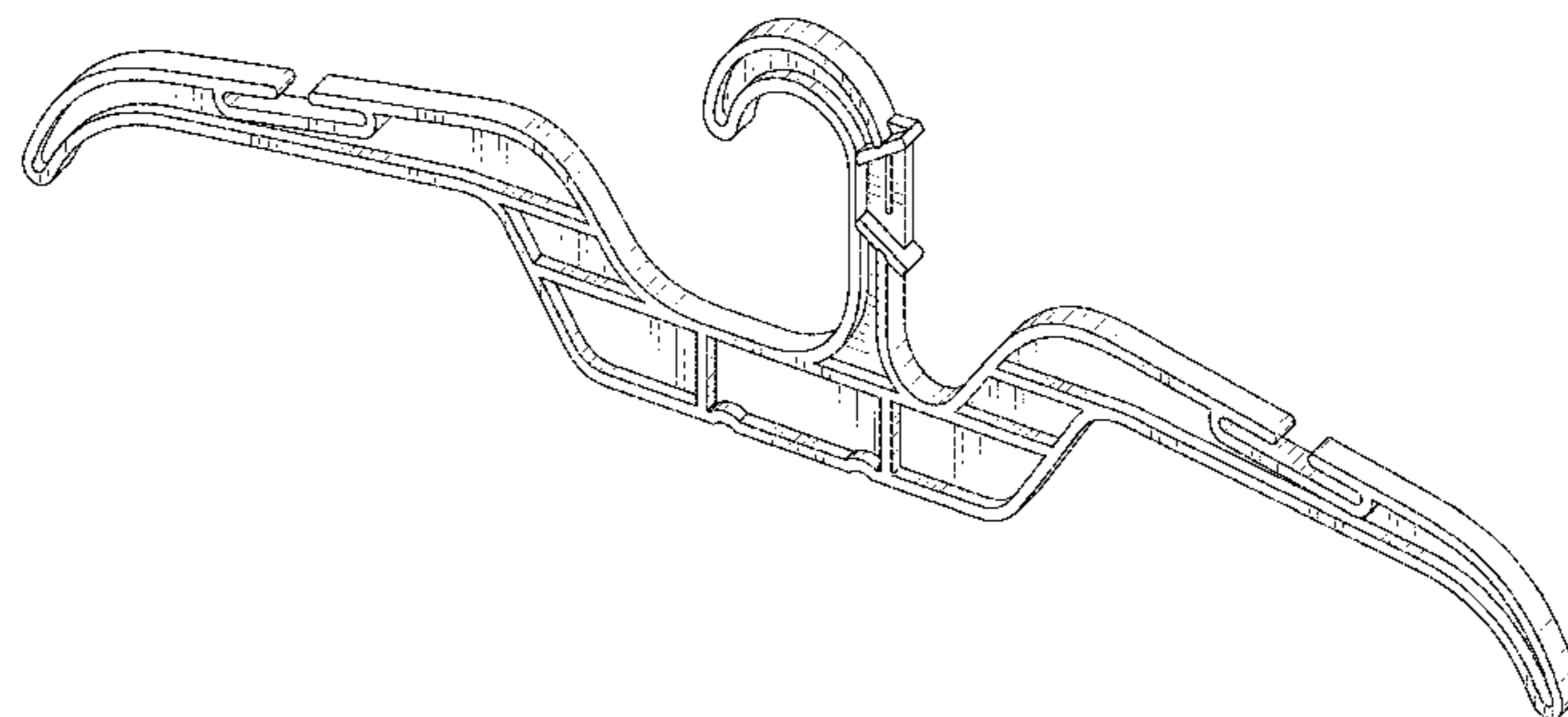
FIG. 4 is a left side view thereof;

FIG. 5 is a right view thereof;

FIG. 6 is a top view thereof; and,

FIG. 7 is a bottom view thereof.

**1 Claim, 4 Drawing Sheets**



(56)

**References Cited**

U.S. PATENT DOCUMENTS

2001/0016994 A1\* 8/2001 Gouldson ..... A47G 25/1435  
40/322

\* cited by examiner

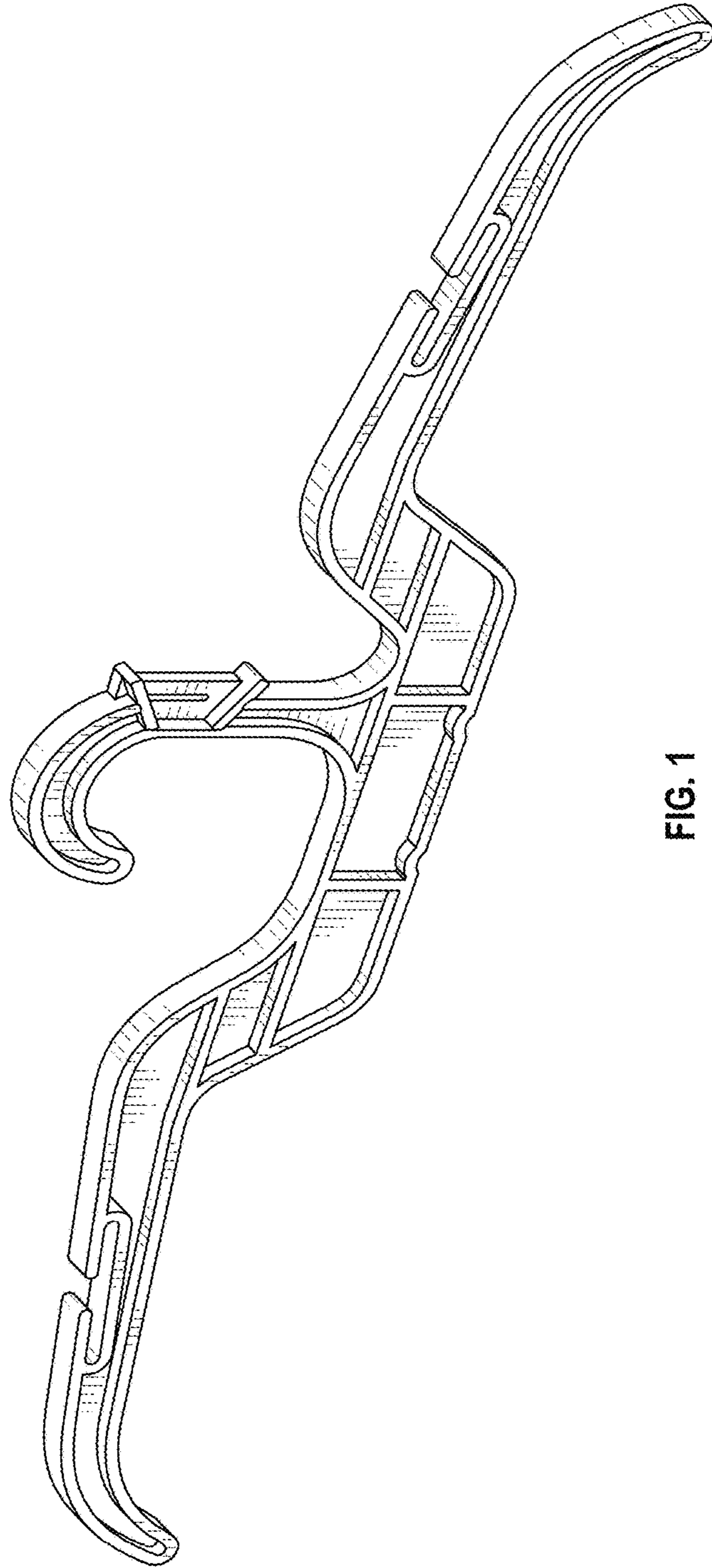


FIG. 1

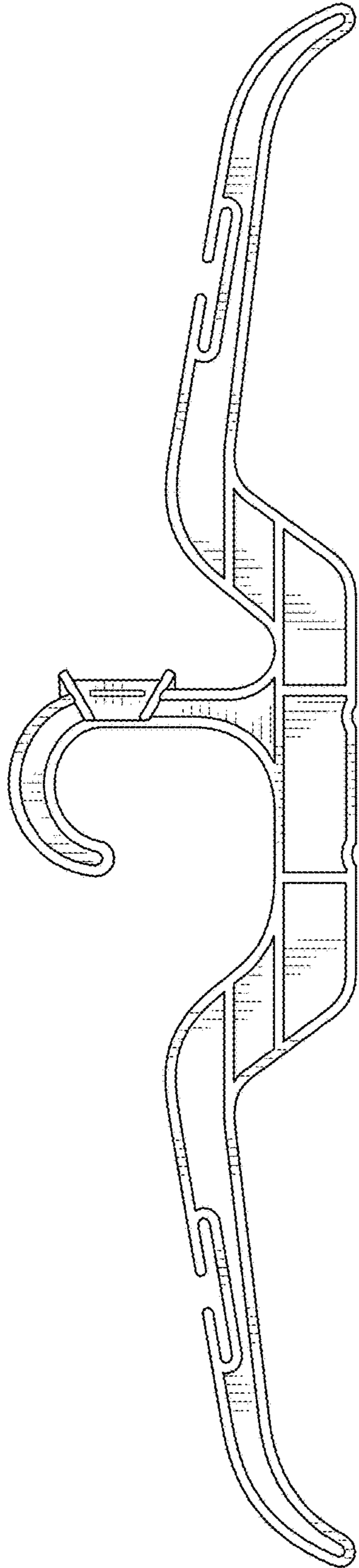


FIG. 2

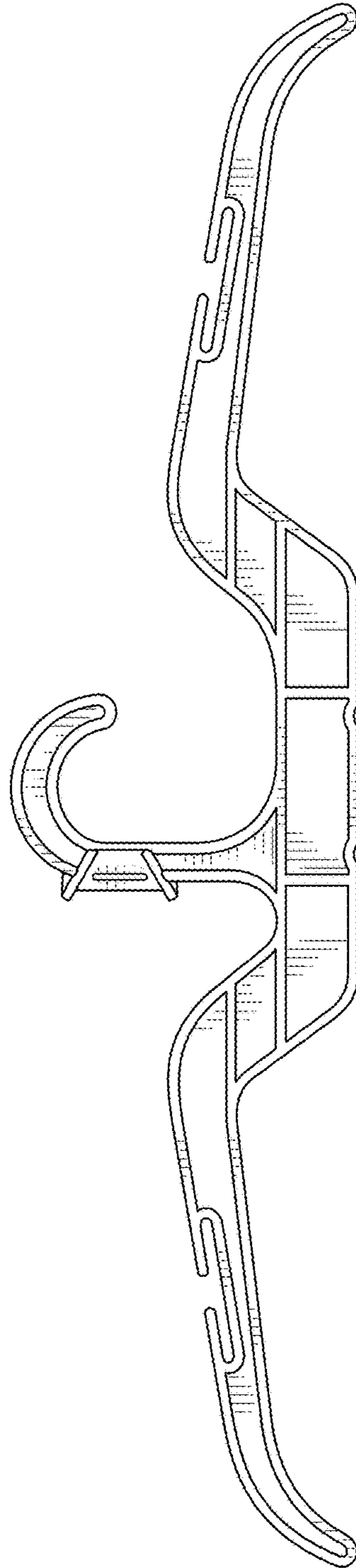


FIG. 3



FIG. 5



FIG. 4

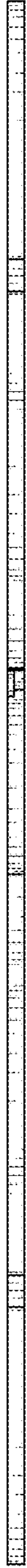


FIG. 6

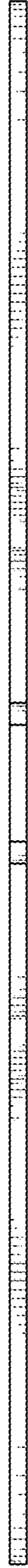


FIG. 7