



US00D850799S

(12) **United States Design Patent**
Johnson

(10) **Patent No.:** **US D850,799 S**
(45) **Date of Patent:** **** Jun. 11, 2019**

- (54) **SCRUB BRUSH**
- (71) Applicant: **Bobby J. Johnson**, Grosse Pointe Farms, MI (US)
- (72) Inventor: **Bobby J. Johnson**, Grosse Pointe Farms, MI (US)
- (**) Term: **15 Years**
- (21) Appl. No.: **29/625,046**
- (22) Filed: **Nov. 6, 2017**
- (51) **LOC (11) Cl.** **04-02**
- (52) **U.S. Cl.**
USPC **D4/129**; D30/158
- (58) **Field of Classification Search**
USPC D4/100, 101, 102, 114, 115, 116, 117, D4/118, 121, 122, 123, 127, 128, 130, D4/131, 132, 133, 134, 135, 136, 137, D4/138, 199; D24/214, 215; D28/7, 35, D28/63; D32/33, 35, 41, 42, 25; D30/158
CPC A46B 5/00; A46B 5/02; A46B 7/06; A46B 7/08; A46B 7/10; A46B 9/00; A46B 9/02; A46B 9/023; A46B 9/028; A46B 13/00; A46B 11/002; A46B 11/06; A46B 11/063; A46B 13/001; A46B 3/005; A46B 13/02; A46B 2200/00; A46B 2200/10; A46B 2200/1006; A46B 2200/1013; A46B 2200/102; A46B 2200/104; A46B 2200/1093; A46B 2200/30; A46B 2200/3033; A46B 2200/304; A46B 2200/306; A46B 2200/3086; A46B 2200/40; A46B 5/0016; A46B 9/025; A45D 29/17; A01K 13/002; A47L 9/0613
See application file for complete search history.

(56) **References Cited**

U.S. PATENT DOCUMENTS

- 2,267,916 A * 12/1941 Hershey A46B 13/02
15/22.2
- 2,526,468 A * 10/1950 Frye A46B 5/00
15/210.1

- 2,707,300 A * 5/1955 Angelillo A46B 15/00
15/167.1
- D363,378 S * 10/1995 Fredricks D28/63
- 5,502,873 A * 4/1996 Hogan A01K 13/002
15/393
- D482,534 S * 11/2003 Olson D4/120
(Continued)

OTHER PUBLICATIONS

Comfy Pet Brush—Long Coat—Squish&Scrub [on-line]. Retrieved from the Internet Jan. 7, 2018. URL: <https://squishscrub.com/products/comfy-pet-brush>. (5 pages) (Year: 2018).*

(Continued)

Primary Examiner — Karen E Eldridge Powers
(74) *Attorney, Agent, or Firm* — Jacob M. Ward; Ward Law Office LLC

(57) **CLAIM**

The ornamental design for a scrub brush, as shown and described.

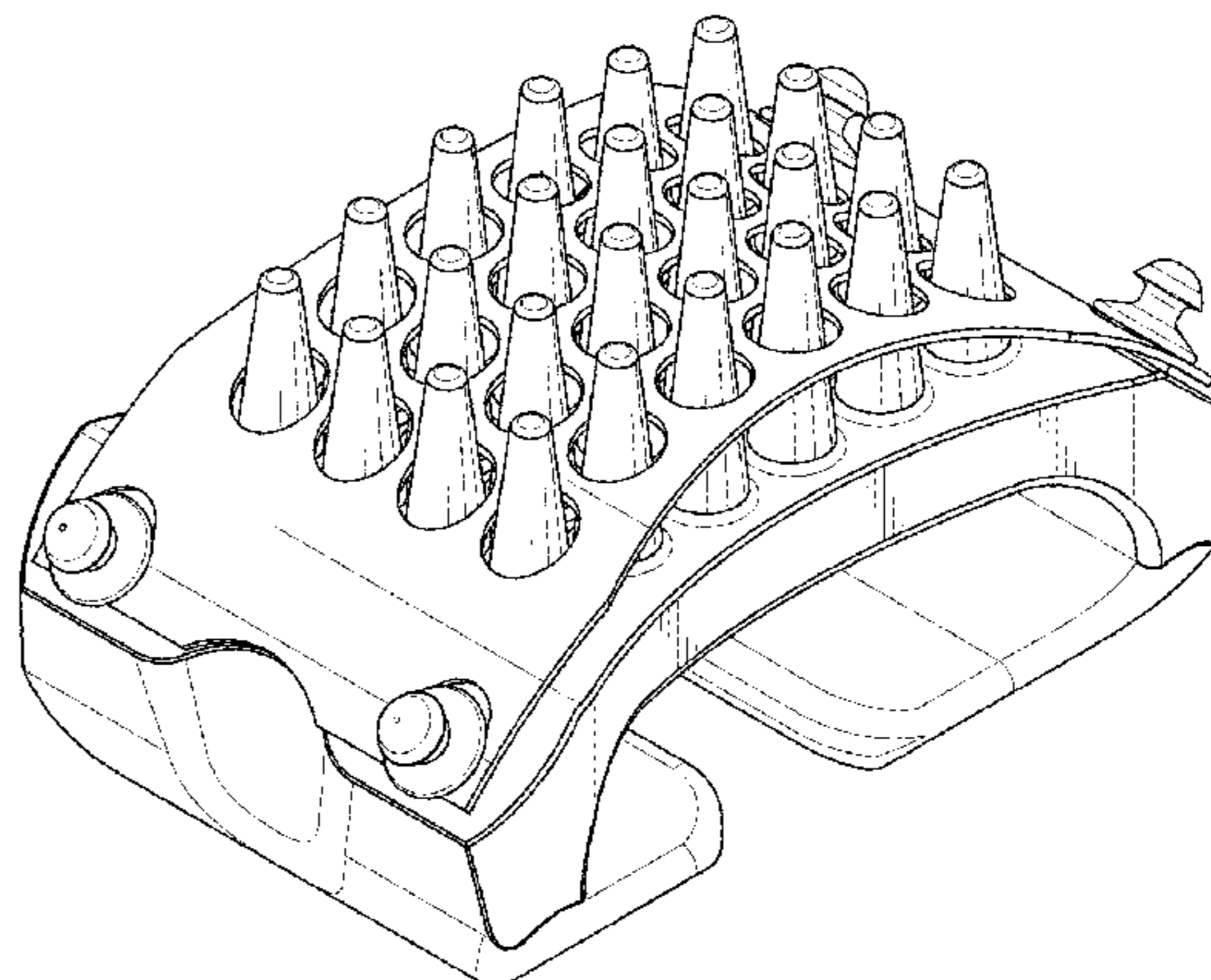
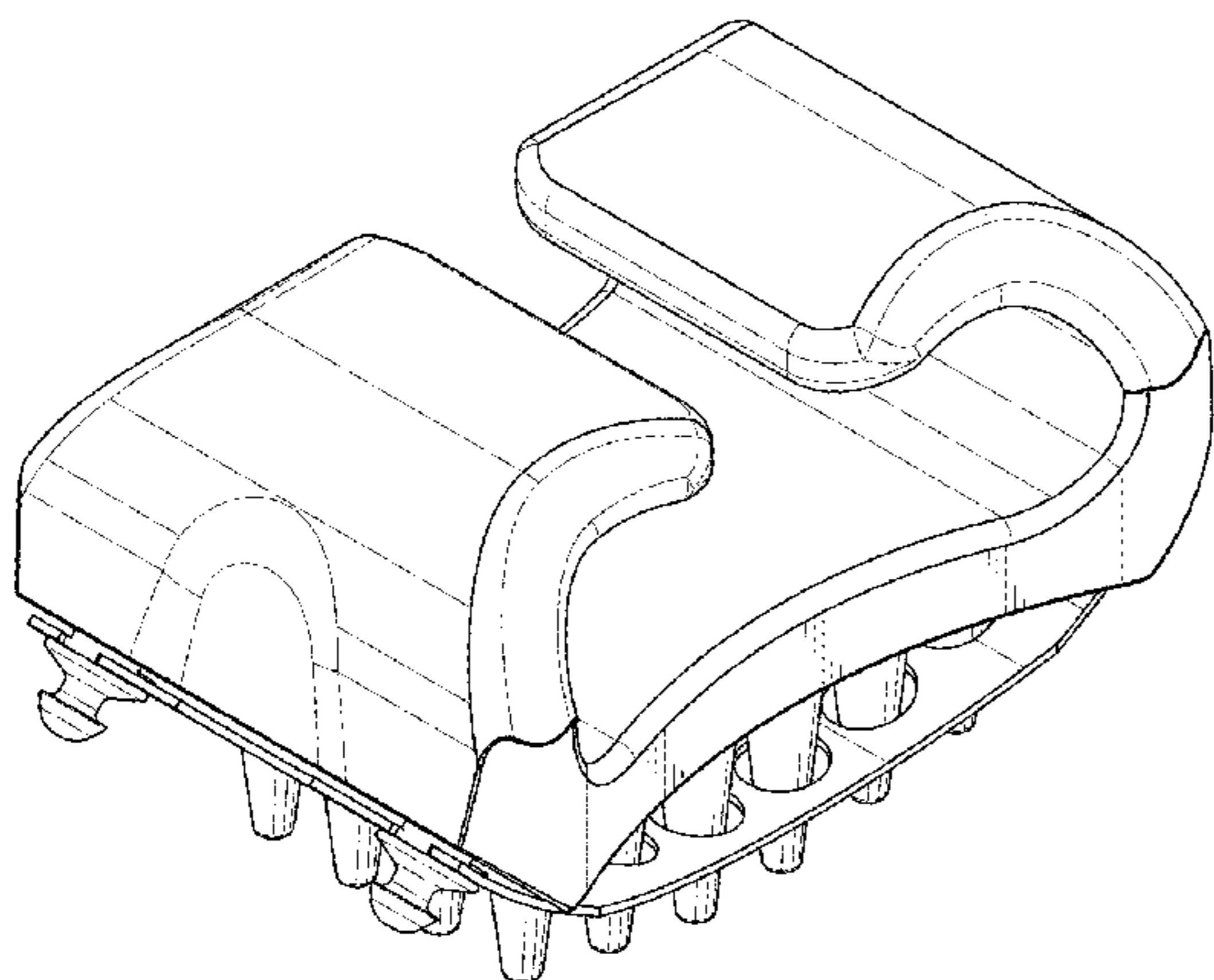
DESCRIPTION

FIG. 1 is a top perspective view of a scrub brush;
 FIG. 2 is a bottom perspective view thereof;
 FIG. 3 is a top plan view thereof;
 FIG. 4 is a bottom plan view thereof;
 FIG. 5 is a right side elevational view thereof; and,
 FIG. 6 is a front elevational view thereof.

The broken lines shown in the drawings illustrate features of the article in which the design is embodied that form no part of the claim.

A left side elevational view is not shown because it is identical to the right side elevational view shown in FIG. 5. A rear elevational view is not shown because it is identical to the front elevational view shown in FIG. 6.

1 Claim, 3 Drawing Sheets



(56)

References Cited

U.S. PATENT DOCUMENTS

6,793,434 B1 * 9/2004 Olson A46B 5/04
 15/144.1
 D524,056 S * 7/2006 Tapp D4/120
 8,402,979 B2 * 3/2013 McHugh A01K 13/001
 132/114
 8,595,887 B2 * 12/2013 Hiltmann A01K 13/002
 15/186
 D727,032 S * 4/2015 Davis D30/158
 9,282,804 B2 * 3/2016 Simonian A45D 40/265
 D756,121 S * 5/2016 Gruber D4/104
 D791,490 S * 7/2017 Johnson D4/135
 D792,034 S * 7/2017 Dornbierer D30/158
 D826,412 S * 8/2018 Martin D24/187
 D835,916 S * 12/2018 Macca D4/116
 2015/0013086 A1 * 1/2015 Simonian A45D 40/265
 15/22.1
 2017/0049076 A1 * 2/2017 Takla A01K 13/001
 2018/0368363 A1 * 12/2018 Johnson A01K 13/001

OTHER PUBLICATIONS

Squish&Scrub on Instagram: "Mon-daze. #mondazemood #SquishScrub #indiegogo" [on-line]. Published Oct. 23, 2017. Retrieved from the Internet Jan. 7, 2018. URL: <<https://www.instagram.com/p/Bamm7t-gadl/>>. (1 page) (Year: 2017).*

* cited by examiner

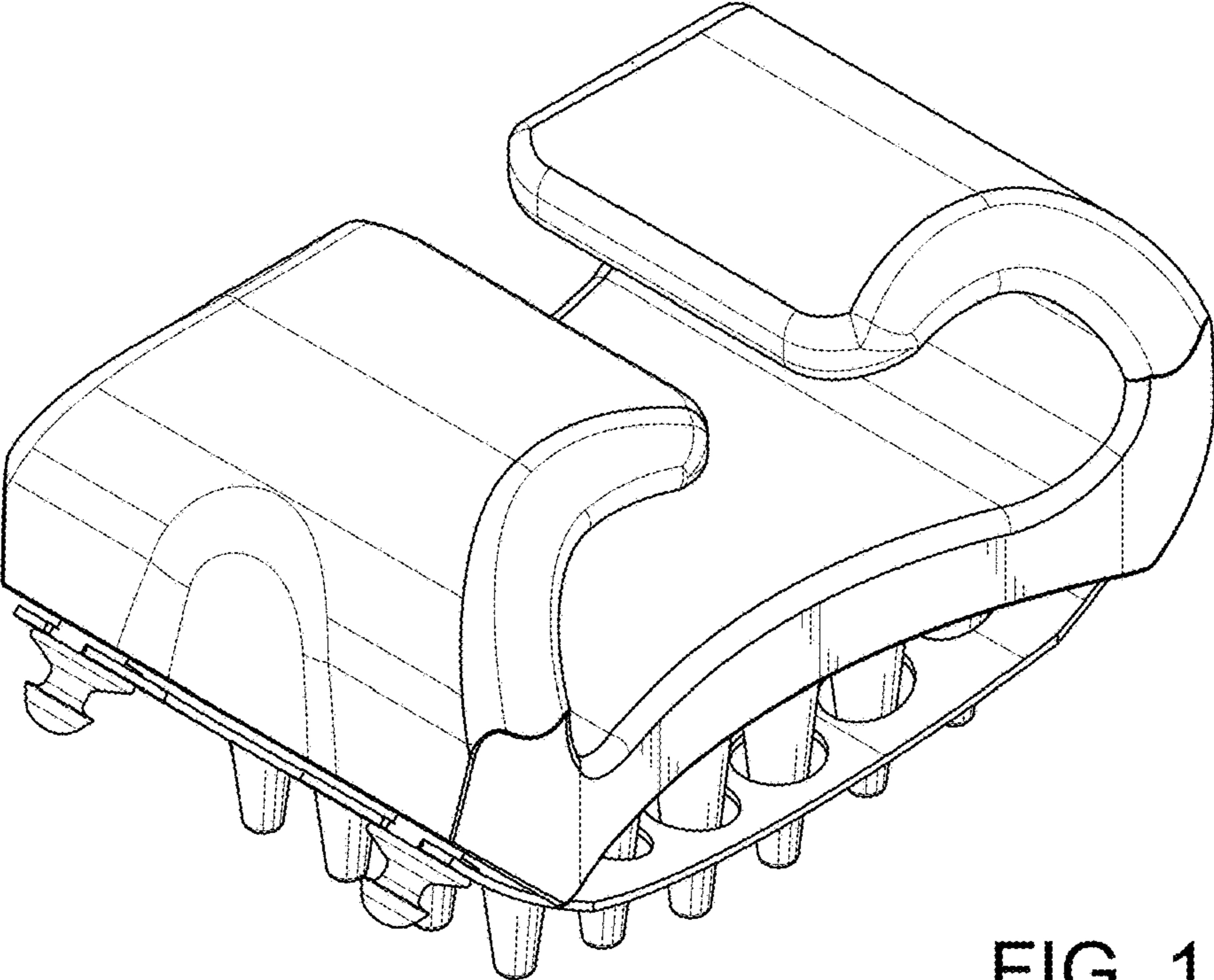


FIG. 1

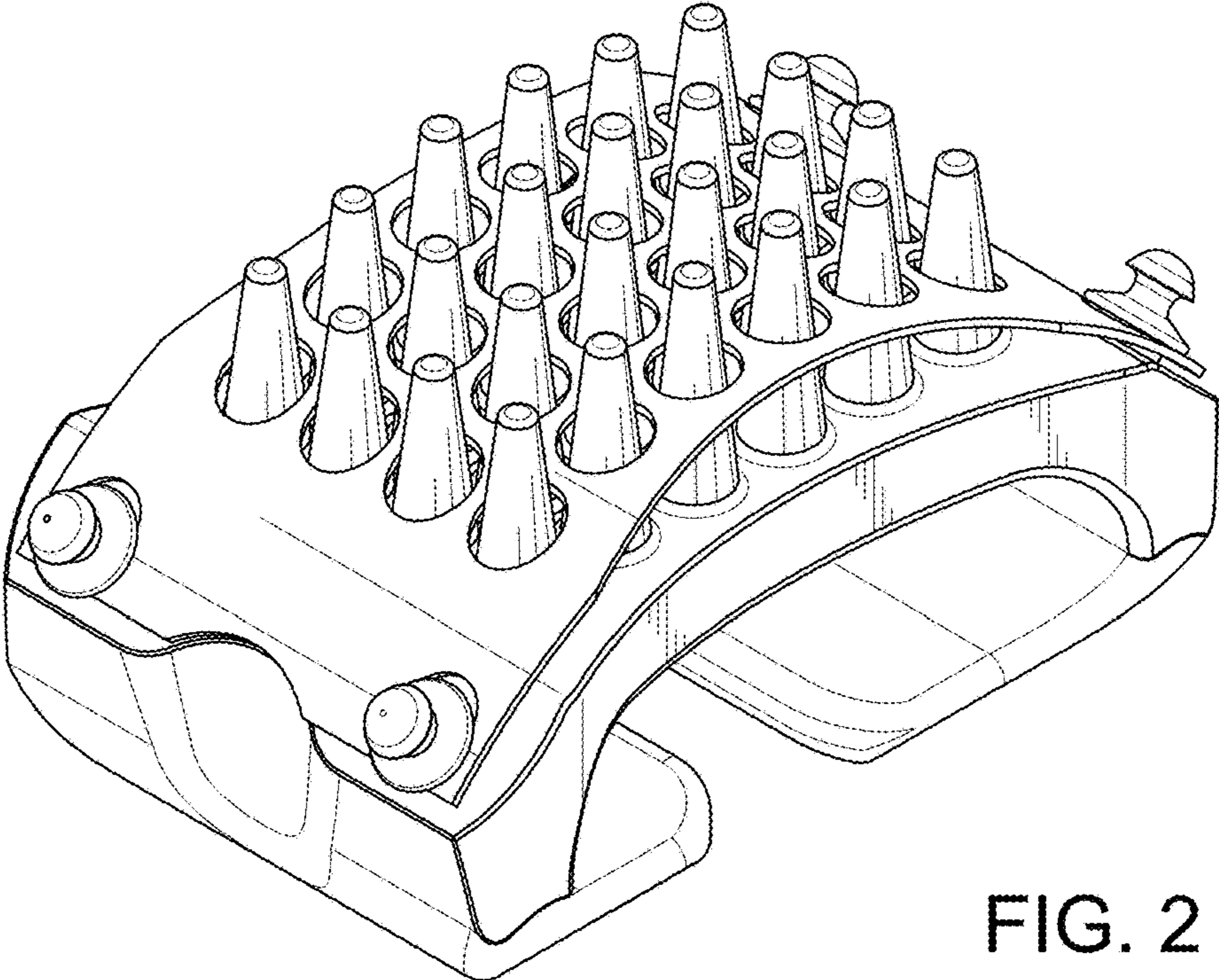


FIG. 2

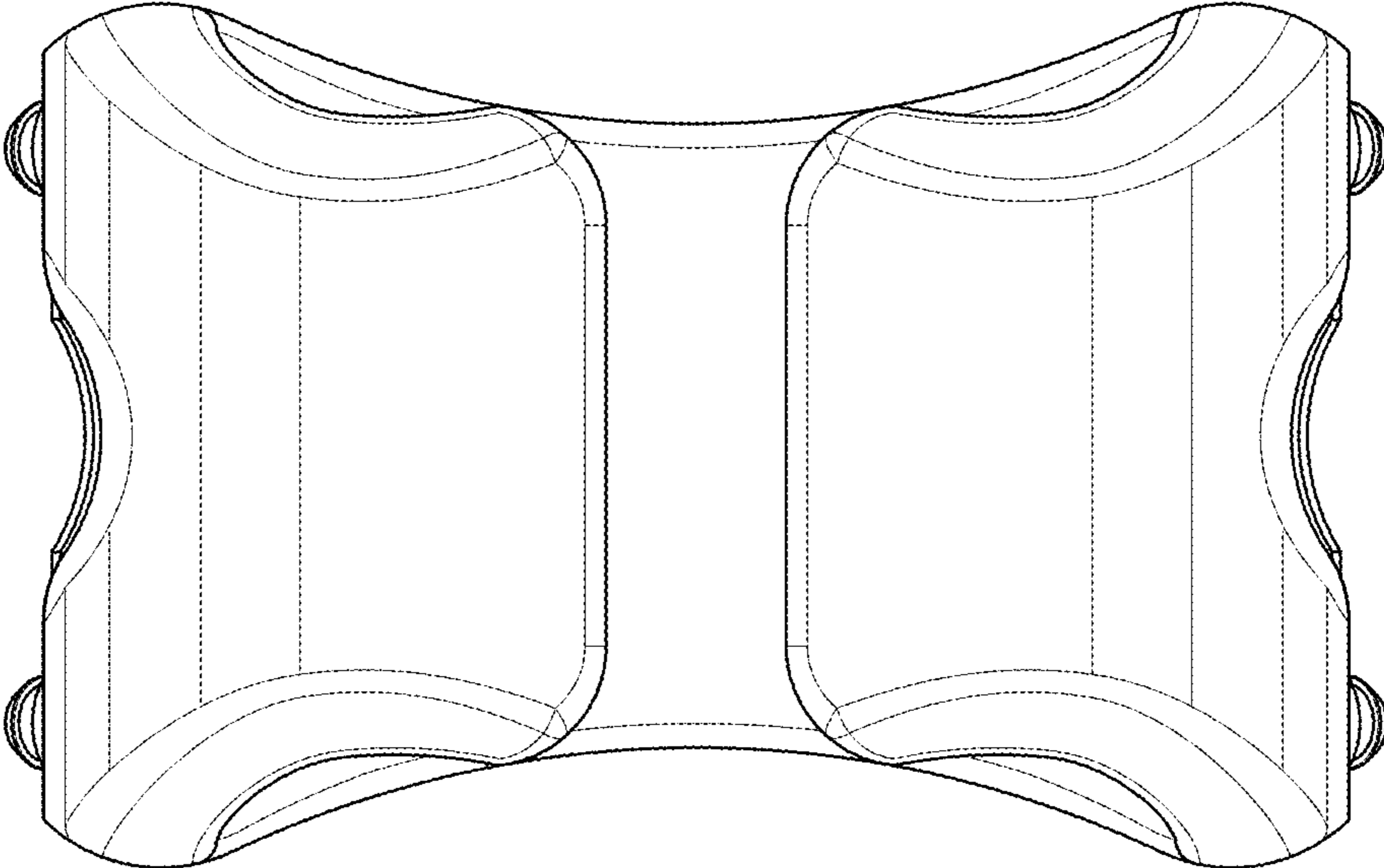


FIG. 3

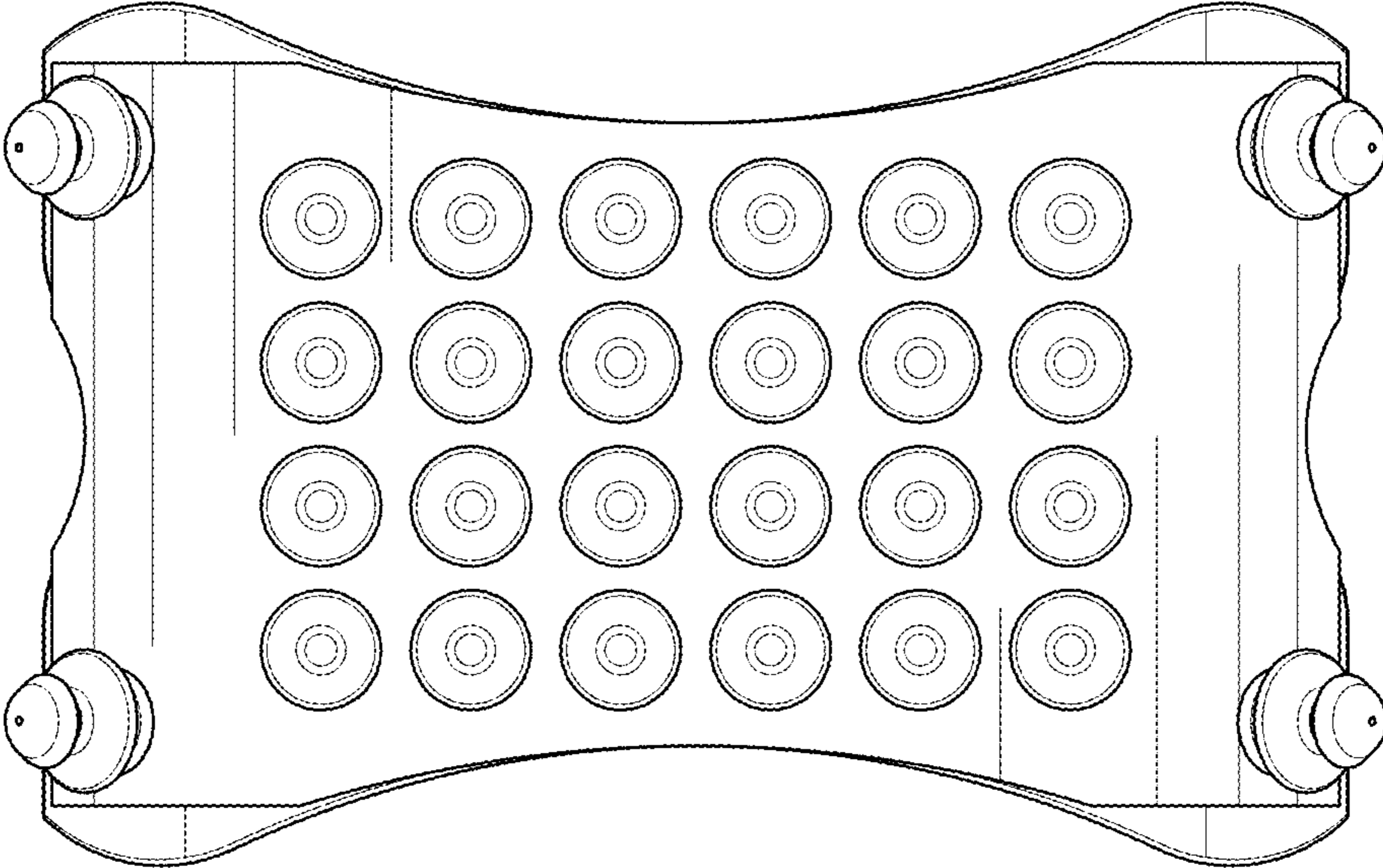


FIG. 4

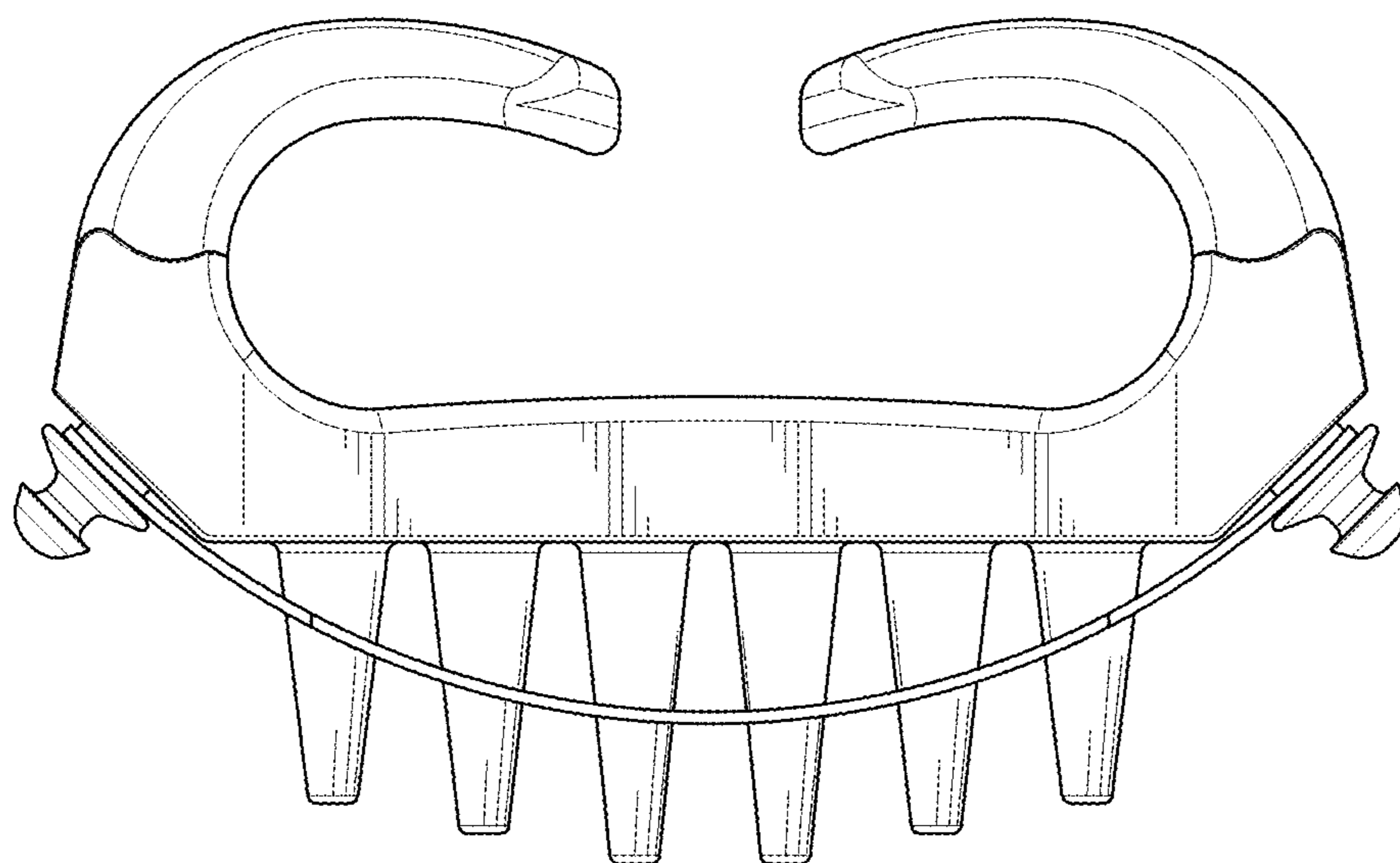


FIG. 5

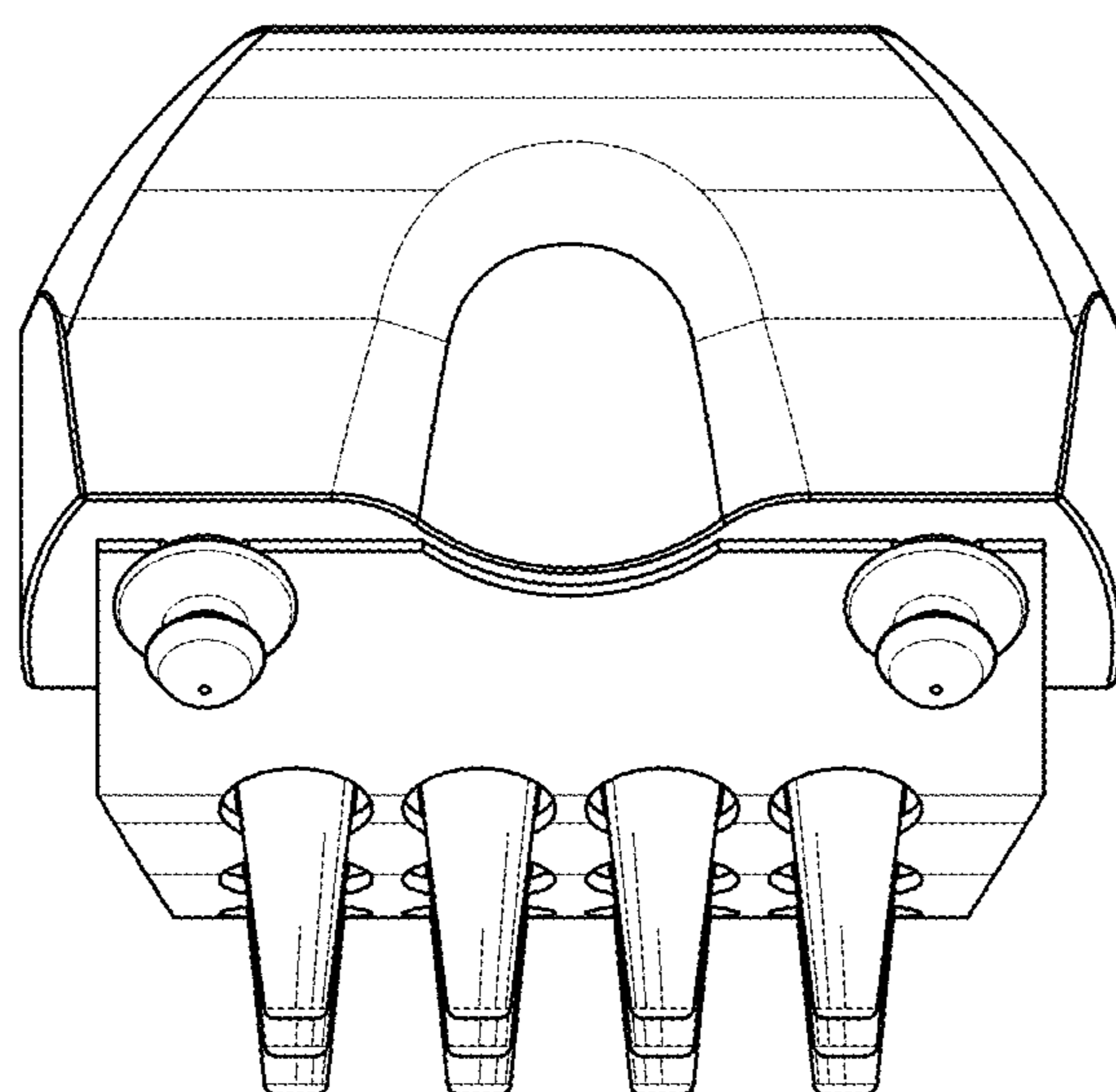


FIG. 6