



US00D850798S

(12) **United States Design Patent** (10) **Patent No.:** **US D850,798 S**  
**Lin** (45) **Date of Patent:** **\*\* Jun. 11, 2019**

(54) **COSMETIC BRUSH**

(71) Applicant: **Yuju Lin**, Shenzhen (CN)

(72) Inventor: **Yuju Lin**, Shenzhen (CN)

(\*\*) Term: **15 Years**

(21) Appl. No.: **29/628,844**

(22) Filed: **Dec. 7, 2017**

(30) **Foreign Application Priority Data**

Sep. 5, 2017 (CN) ..... 2017 3 0417729

(51) **LOC (11) Cl.** ..... **04-02**

(52) **U.S. Cl.**

USPC ..... **D4/124**; D4/127; D28/7

(58) **Field of Classification Search**

USPC ..... D4/100, 107, 109, 111, 124, 127, 132,  
D4/135, 138, 199; D8/300, 301, 305,  
D8/307; D28/4, 6, 7, 8, 8.2, 9, 13

CPC ..... A46B 9/021; A46B 9/026; A46B 9/028;  
A46B 7/02; A46B 7/10; A46B 13/00;  
A46B 13/001; A46B 13/02; A46B  
13/023; A46B 13/06; A46B 2200/10;  
A46B 2200/30; A46B 2200/1046; A46B  
2200/106; A46B 2200/306; A45D 27/04;  
A45D 27/06

See application file for complete search history.

(56) **References Cited**

**U.S. PATENT DOCUMENTS**

D304,392 S \* 11/1989 Reich ..... D4/135  
D350,853 S \* 9/1994 Basque ..... D4/135  
D442,369 S \* 5/2001 Damiano ..... D4/127  
D520,244 S \* 5/2006 Huller ..... D4/124  
D521,738 S \* 5/2006 Huller ..... D4/124  
D560,365 S \* 1/2008 Huller ..... D4/124

D592,484 S \* 5/2009 Ricereto ..... D8/307  
D601,804 S \* 10/2009 Hwang ..... D4/103  
D768,998 S \* 10/2016 Kim ..... D4/127  
D793,090 S \* 8/2017 Allen ..... D4/127  
D798,603 S \* 10/2017 Hwang ..... D4/127  
D802,307 S \* 11/2017 Peterson ..... D4/127  
D802,937 S \* 11/2017 Nicoline ..... D4/135  
D819,976 S \* 6/2018 Albers ..... D4/120  
D823,605 S \* 7/2018 Nicoline ..... D4/127  
D824,587 S \* 7/2018 Dutton ..... D28/7  
D825,193 S \* 8/2018 Nicoline ..... D4/135  
2010/0021229 A1\* 1/2010 Byun ..... A45D 33/02  
401/277  
2012/0246856 A1\* 10/2012 Screnci, Jr. .... A45D 27/04  
15/160  
2017/0314164 A1\* 11/2017 Lim ..... D01F 1/10  
2018/0055190 A1\* 3/2018 Anastasis ..... A45D 27/04

\* cited by examiner

*Primary Examiner* — Wan Laymon

*Assistant Examiner* — Clint A Samuel

(74) *Attorney, Agent, or Firm* — Matthias Scholl P.C.;  
Matthias Scholl

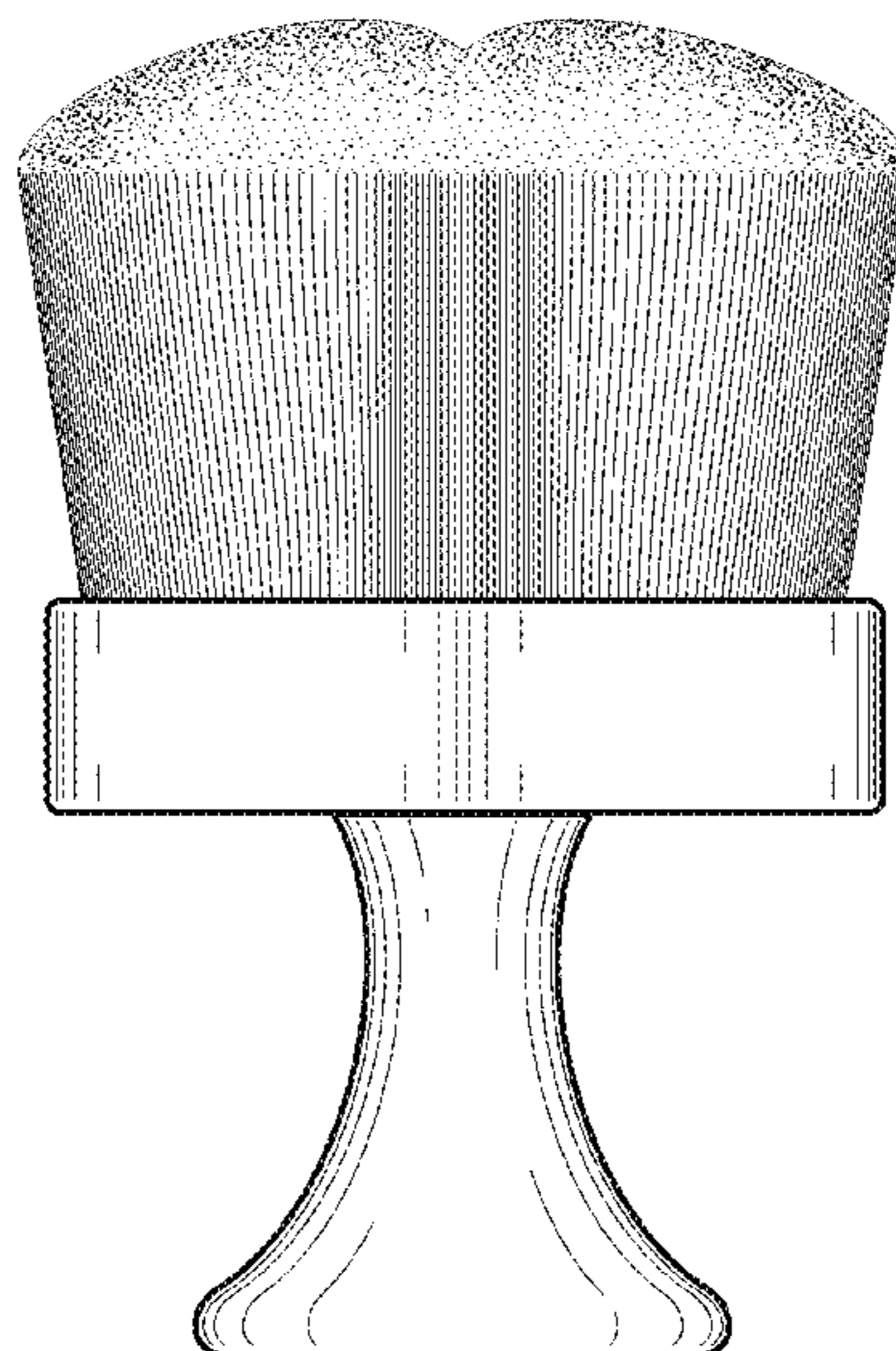
(57) **CLAIM**

The ornamental design for a cosmetic brush, as shown and described.

**DESCRIPTION**

FIG. 1 is a front elevation view of a cosmetic brush;  
FIG. 2 is a rear elevation view thereof;  
FIG. 3 is a left-side elevation view thereof;  
FIG. 4 is a right-side elevation view thereof;  
FIG. 5 is a top plan view thereof;  
FIG. 6 is a bottom plan view thereof; and,  
FIG. 7 is a perspective view thereof.  
The portions of the article shown in broken lines form no part of the claimed design.

**1 Claim, 7 Drawing Sheets**



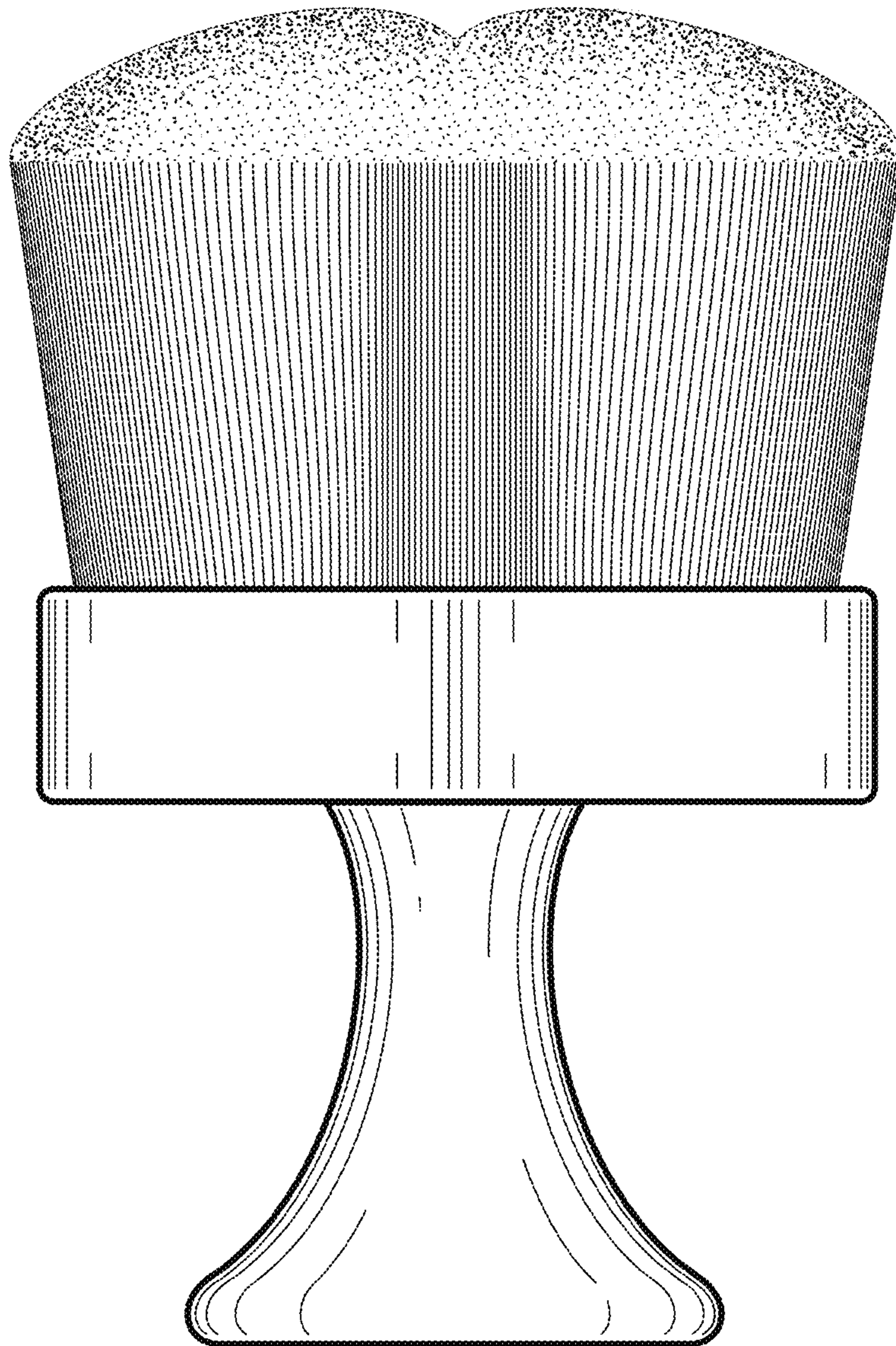


FIG. 1



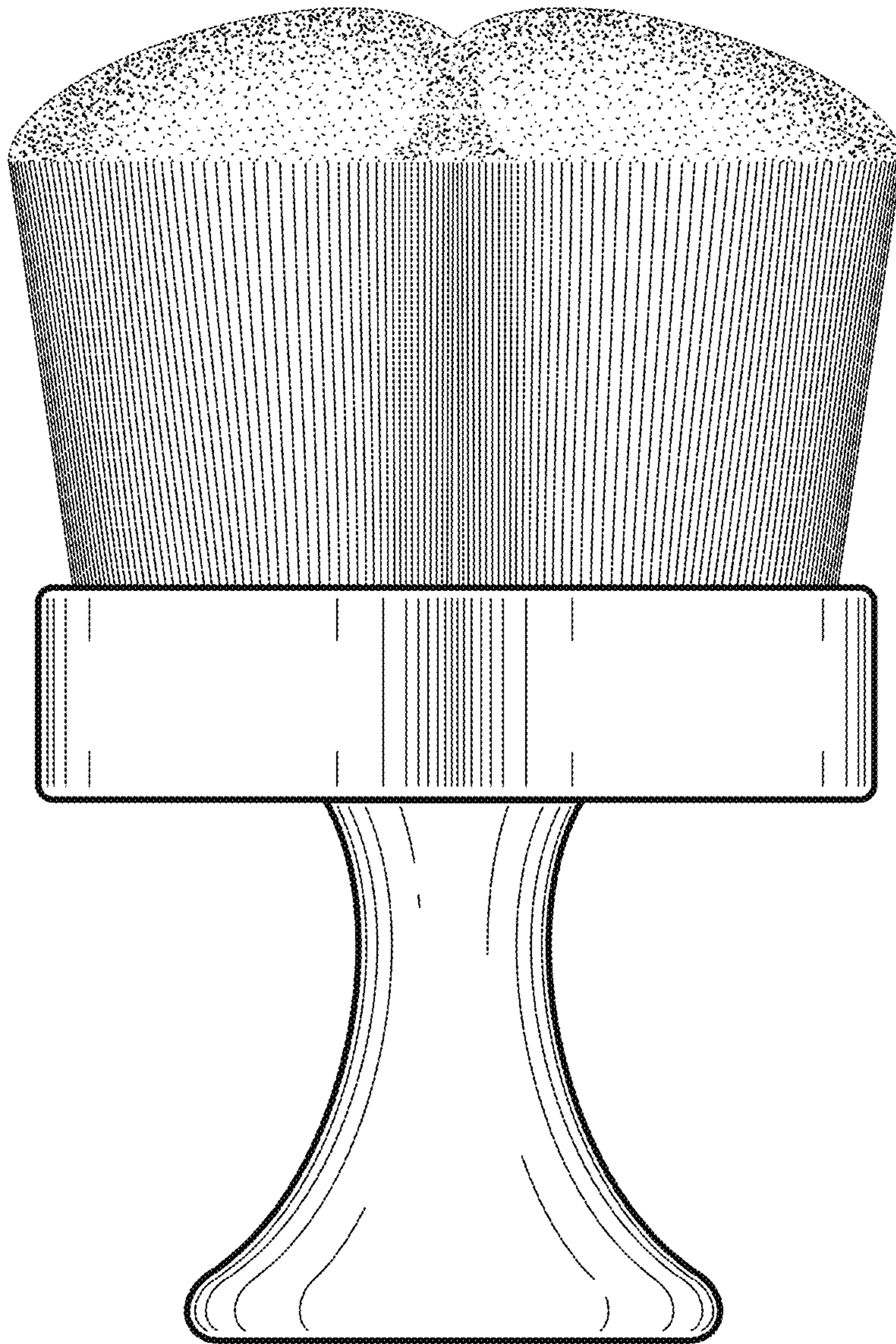


FIG. 2

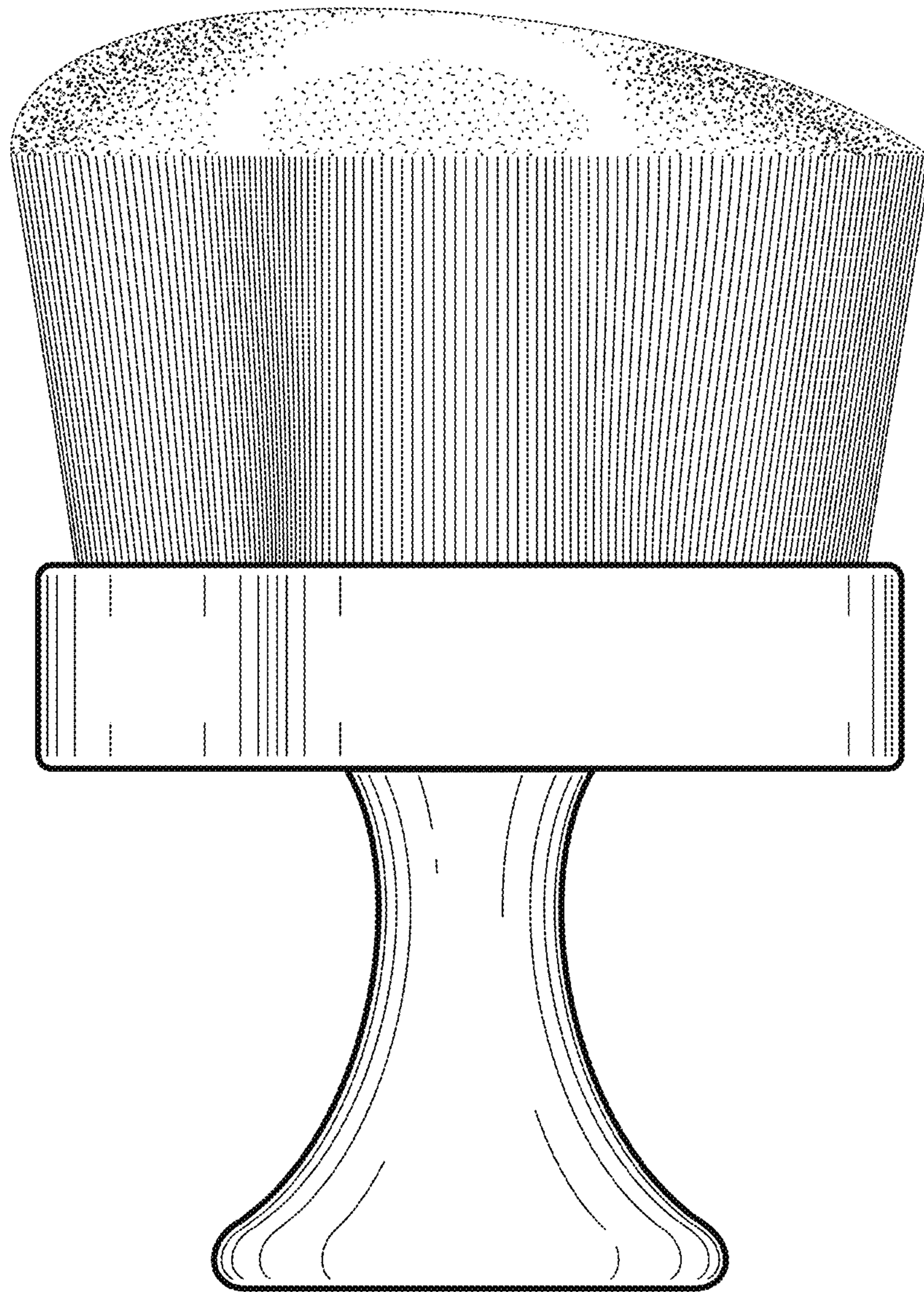


FIG. 3

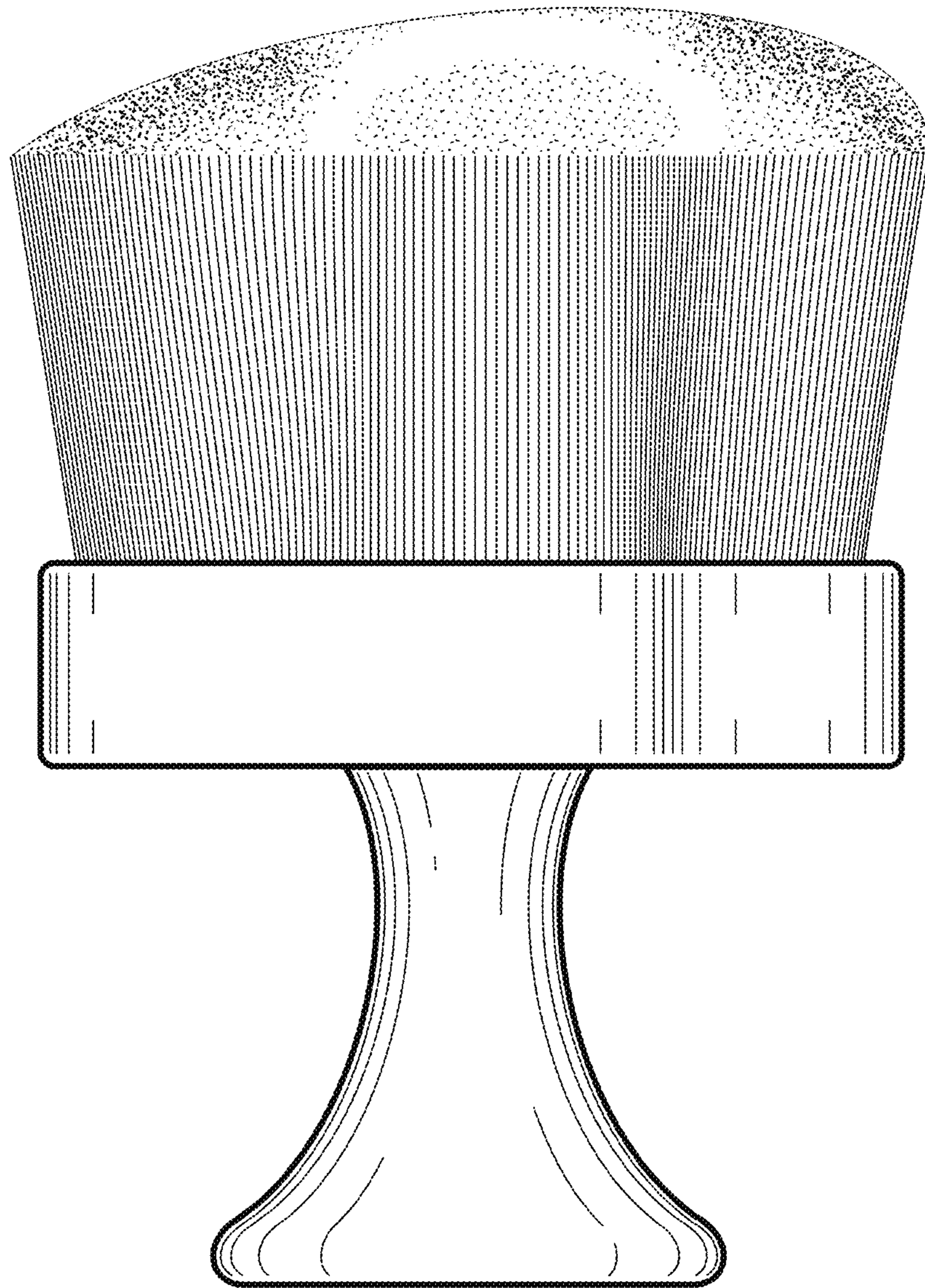


FIG. 4



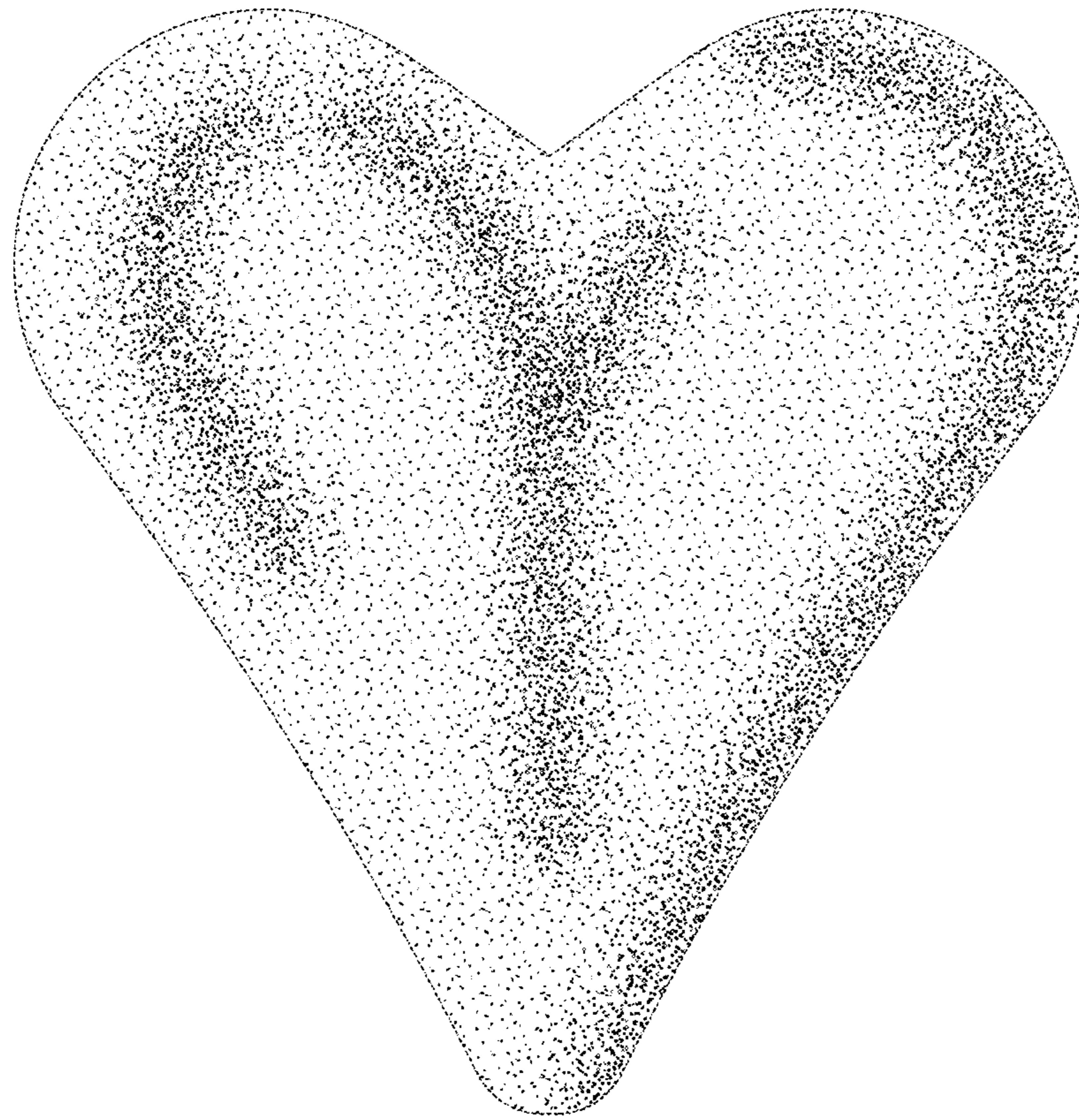
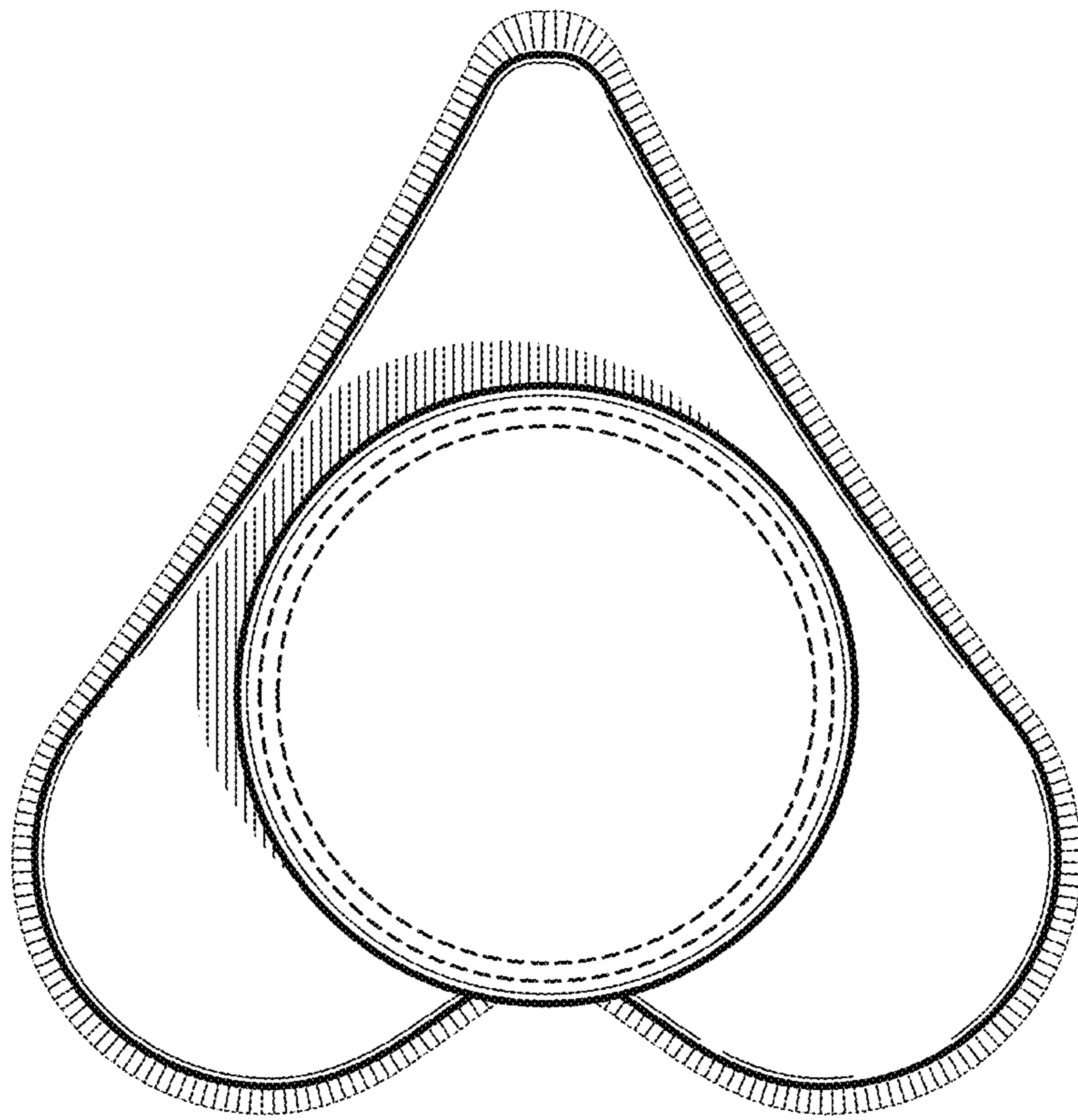


FIG. 5



**FIG. 6**



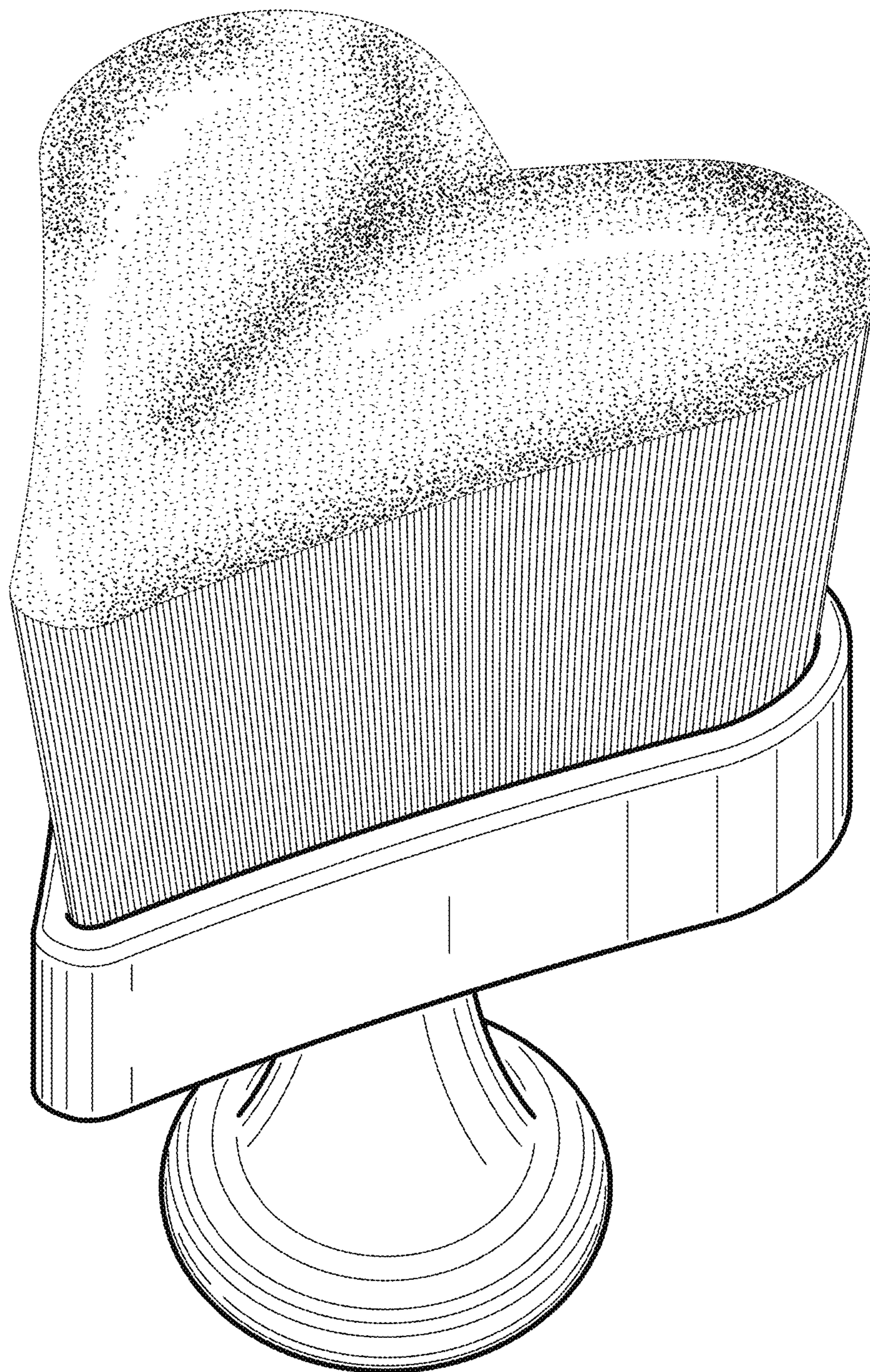


FIG. 7