



US00D850796S

(12) **United States Design Patent**
Ricca

(10) **Patent No.:** **US D850,796 S**

(45) **Date of Patent:** **** Jun. 11, 2019**

- (54) **BAG**
- (71) Applicant: **SAMANTHA RICCA, LLC**, North Plains, OR (US)
- (72) Inventor: **Samantha N. Ricca**, North Plains, OR (US)
- (73) Assignee: **SAMANTHA RICCA, LLC**, North Plains, OR (US)
- (**) Term: **15 Years**
- (21) Appl. No.: **29/661,127**
- (22) Filed: **Aug. 24, 2018**
- (51) **LOC (11) Cl.** **03-01**
- (52) **U.S. Cl.**
USPC **D3/327; D3/318**
- (58) **Field of Classification Search**
USPC **D3/318, 327**
CPC ... **A45F 5/10; A45F 3/04; A63B 55/00; A45C 5/14**
See application file for complete search history.

- D725,901 S * 4/2015 Cross D3/233
- D740,032 S * 10/2015 Bell D3/327
- D770,776 S * 11/2016 Hannon D3/327
- D784,692 S * 4/2017 Sandorffy D3/254
- D798,048 S * 9/2017 Nair D3/242
- D821,745 S * 7/2018 Dumas D3/232

* cited by examiner

Primary Examiner — Holly H Baynham
(74) *Attorney, Agent, or Firm* — Renaissance IP Law Group LLP; David A. Crowther

(57) **CLAIM**

The ornamental design for a bag, as shown and described.

DESCRIPTION

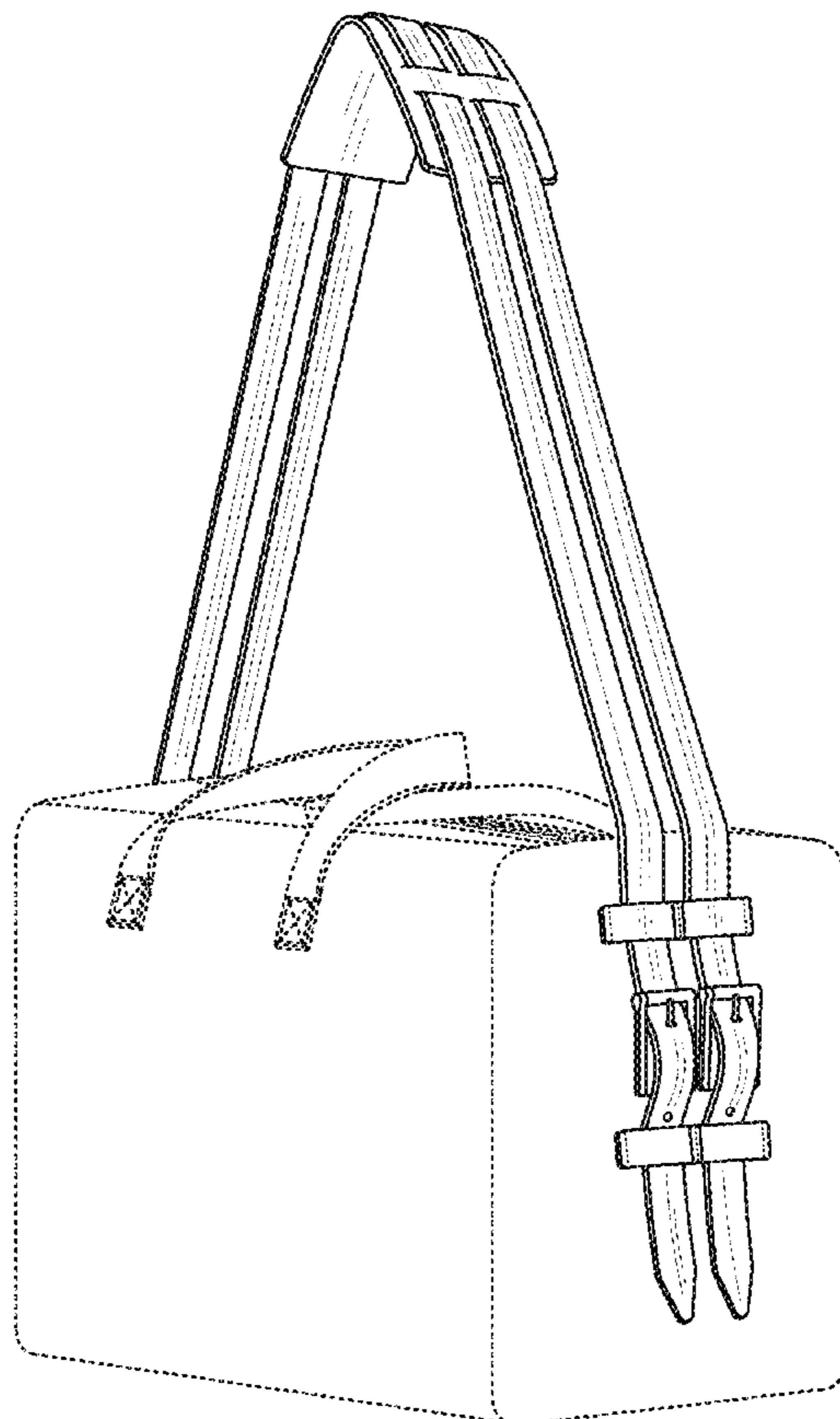
FIG. 1 is a perspective view of a bag according to my new design;
FIG. 2 is a first side view of the bag of FIG. 1;
FIG. 3 is a second side view of the bag of FIG. 1;
FIG. 4 is a third side view of the bag of FIG. 1;
FIG. 5 is a fourth side view of the bag of FIG. 1;
FIG. 6 is a top view of the bag of FIG. 1; and,
FIG. 7 is a bottom view of the bag of FIG. 1.
The broken lines illustrate portions of the bag and form no part of the claimed design.

(56) **References Cited**

U.S. PATENT DOCUMENTS

- D587,457 S * 3/2009 Barnwell D3/327
- D609,011 S * 2/2010 Cucuzza A45F 5/12
D3/327

1 Claim, 6 Drawing Sheets



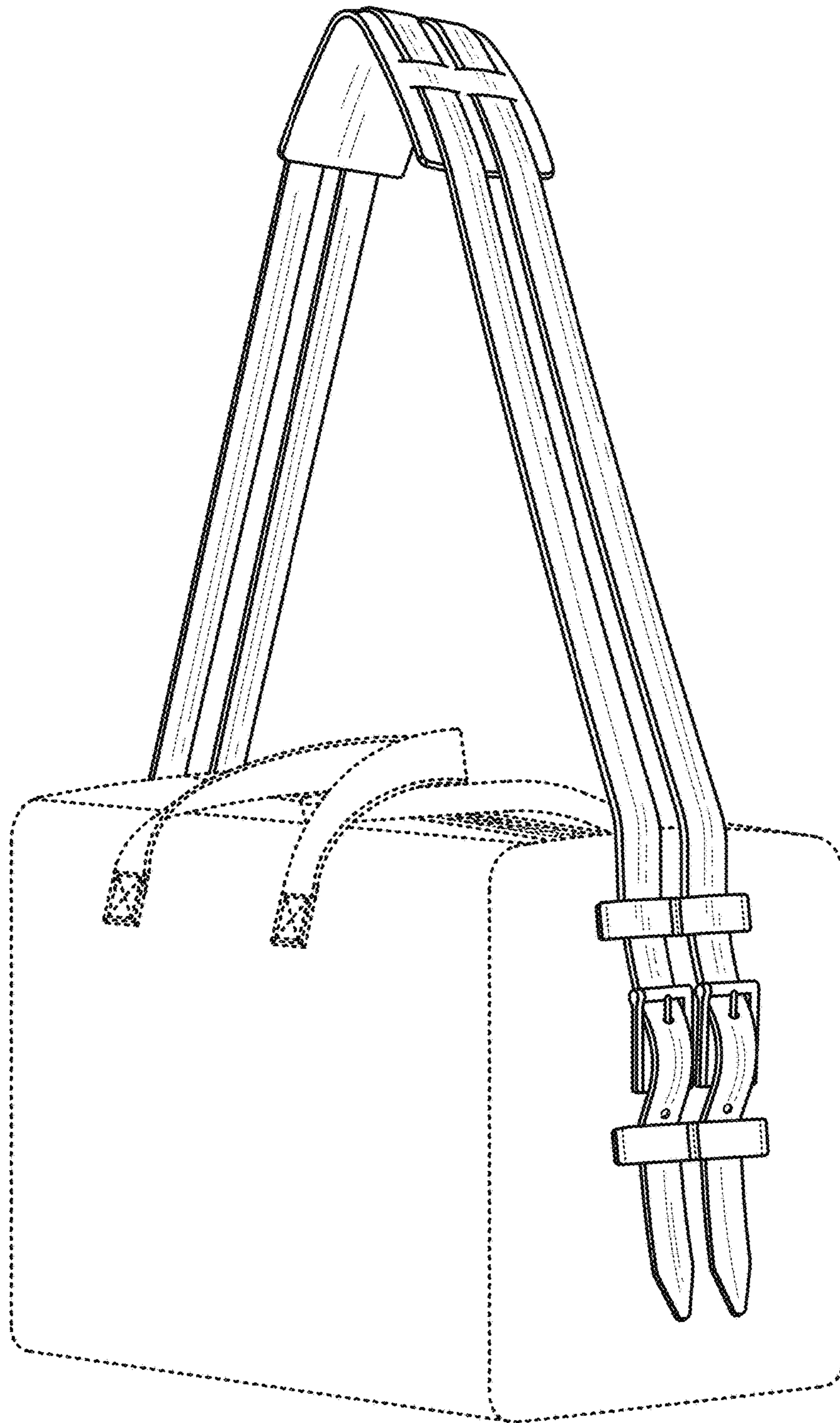


FIG. 1

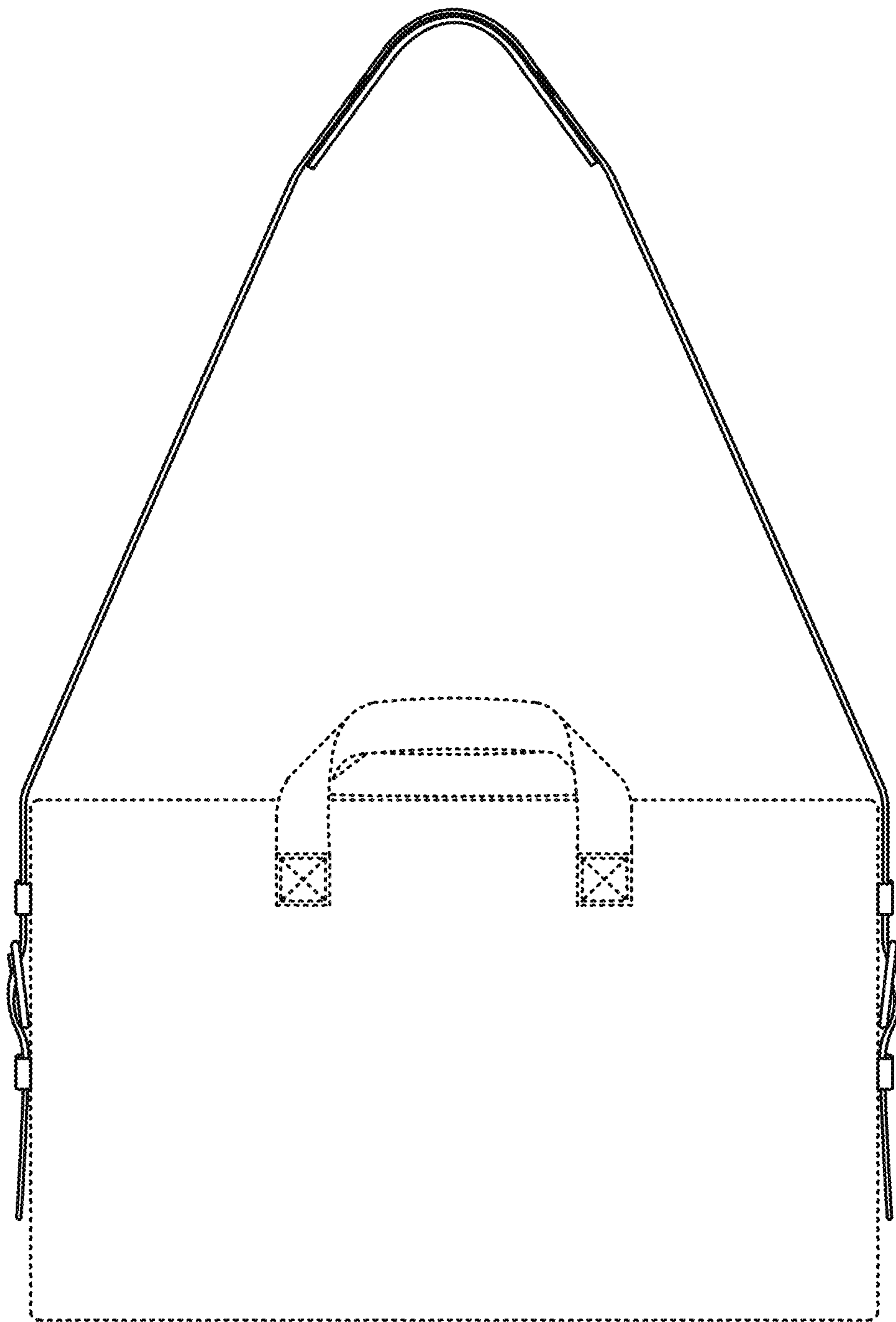


FIG. 2

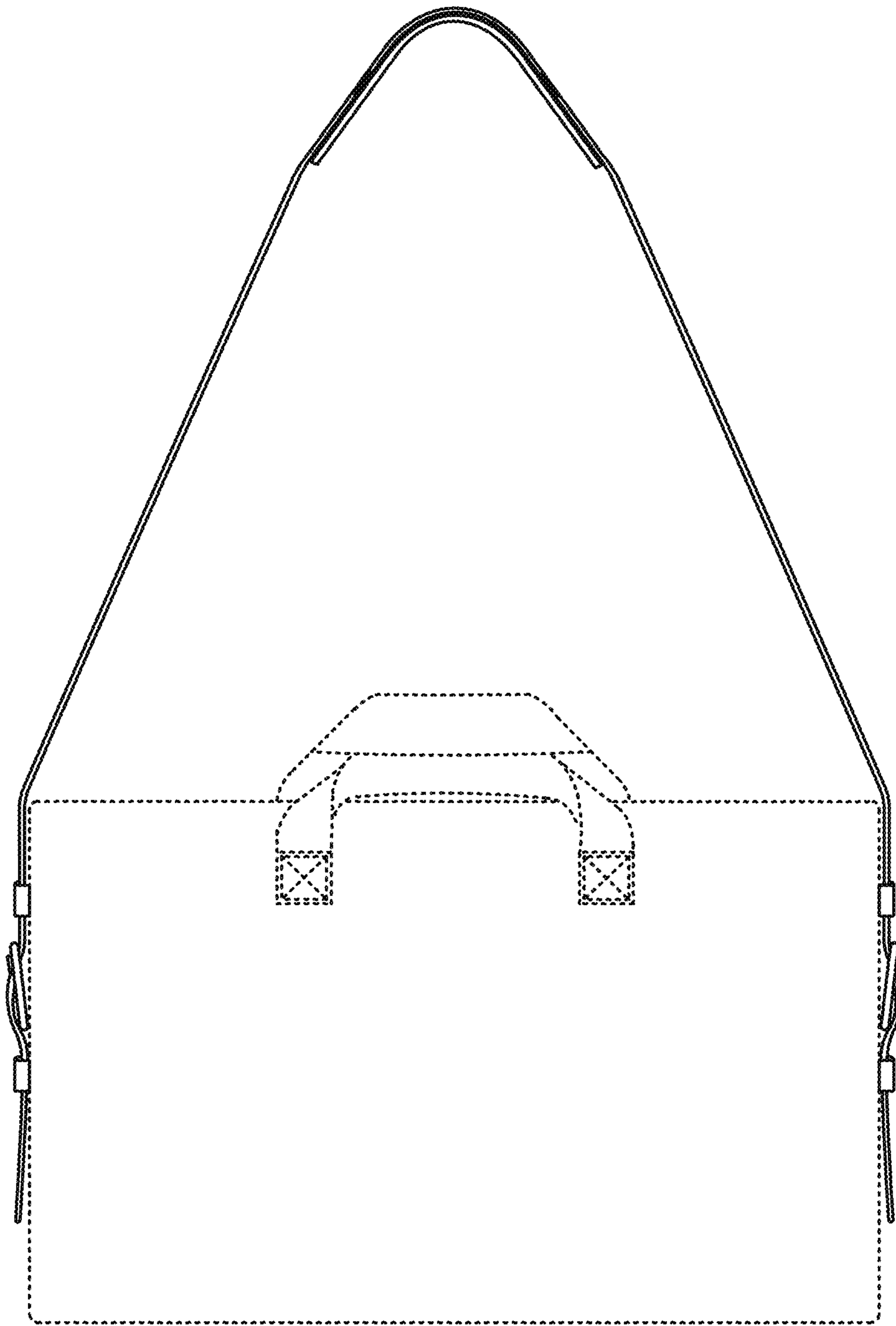


FIG. 3

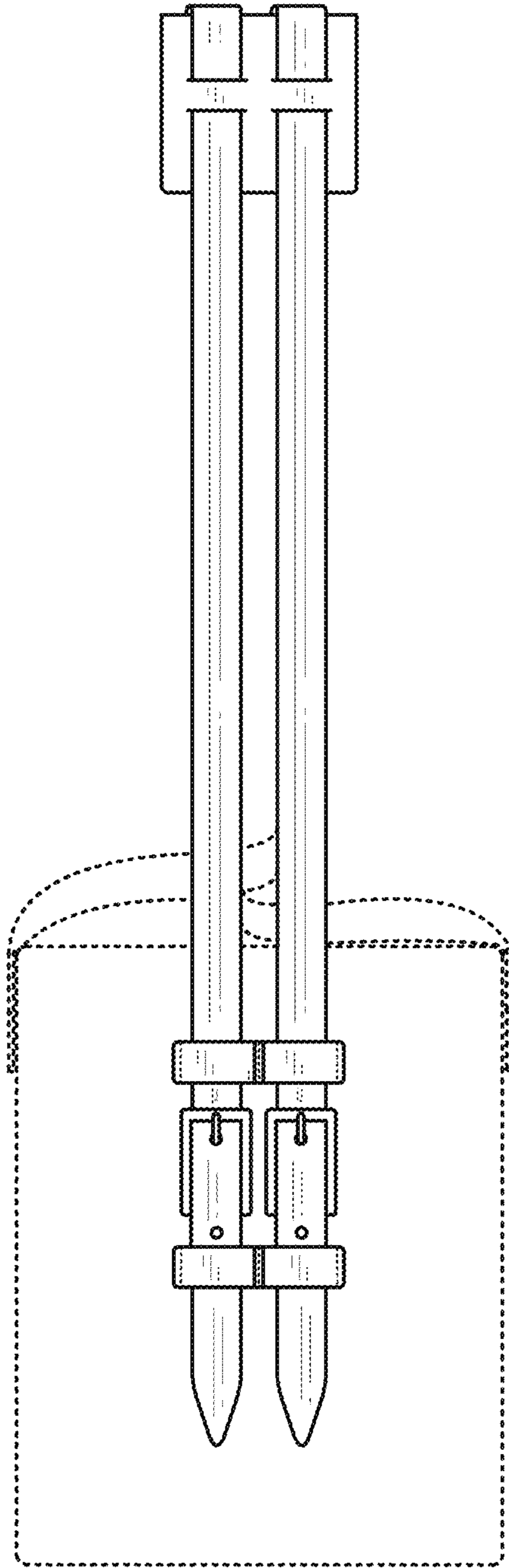


FIG. 4

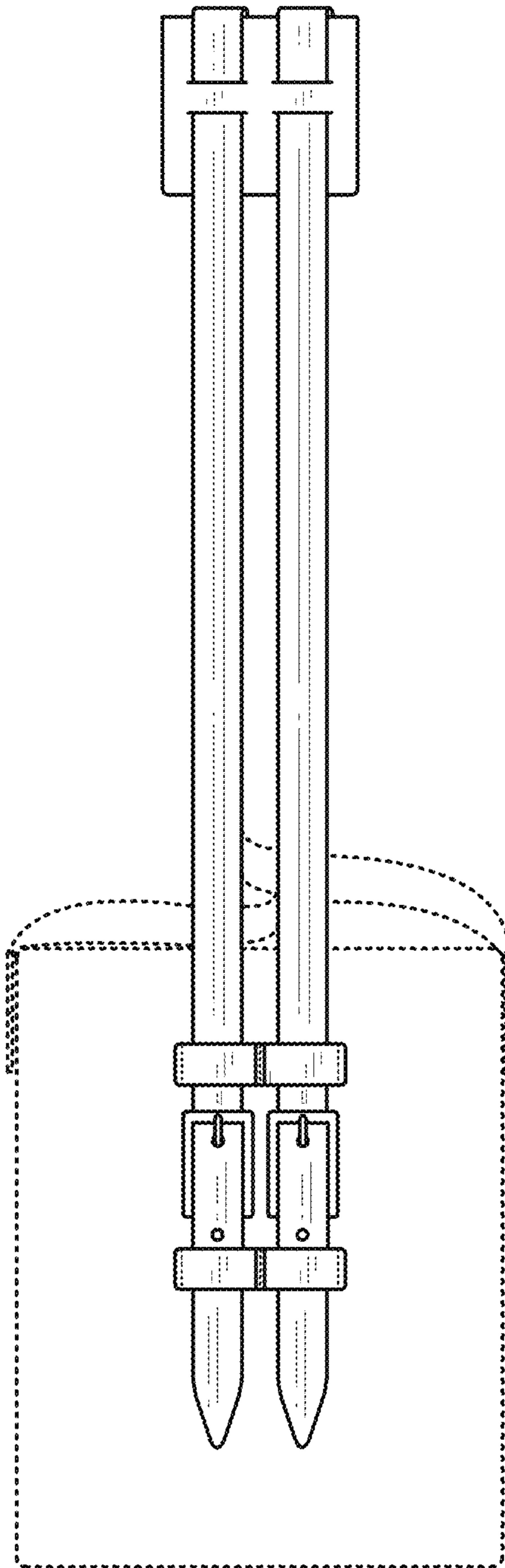


FIG. 5

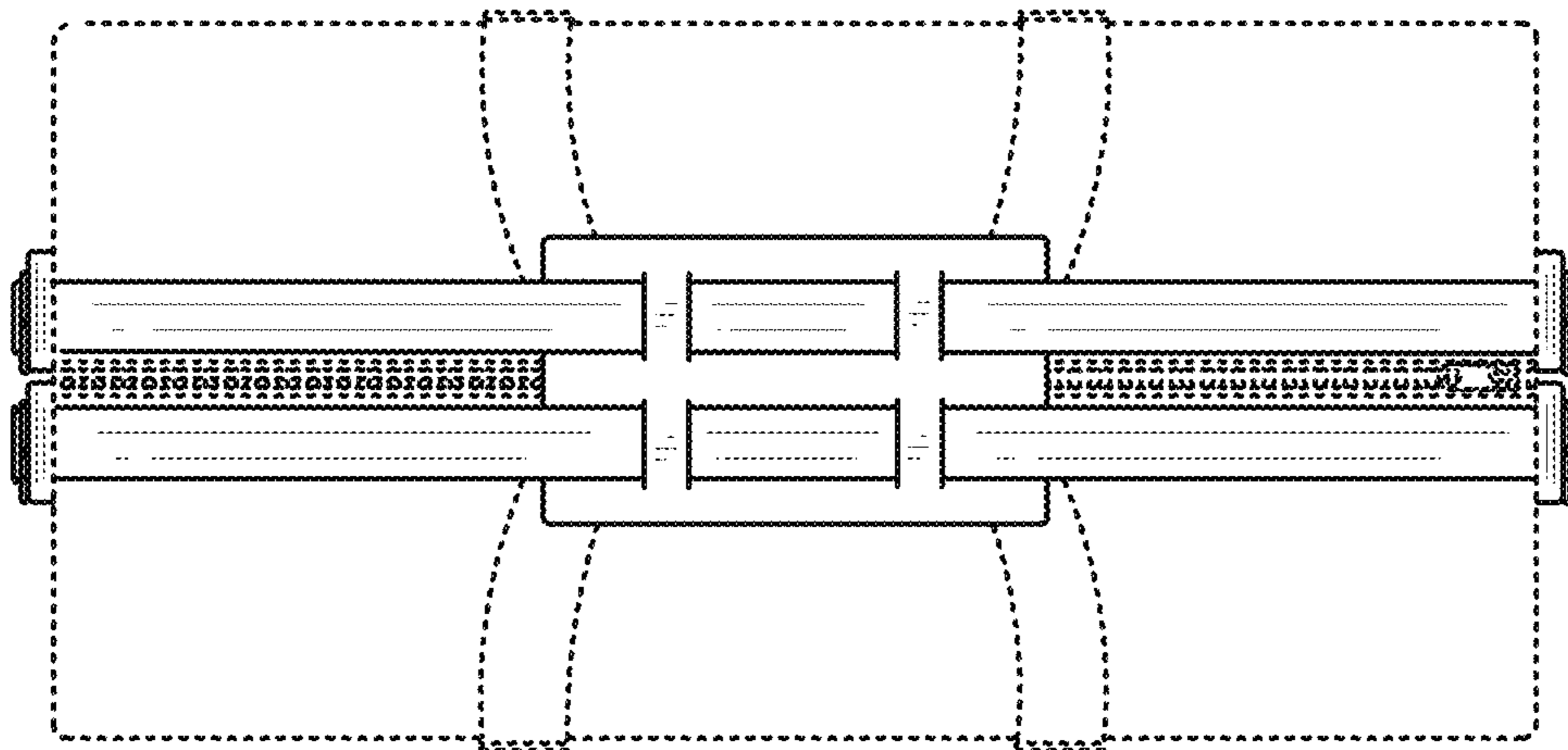


FIG. 6

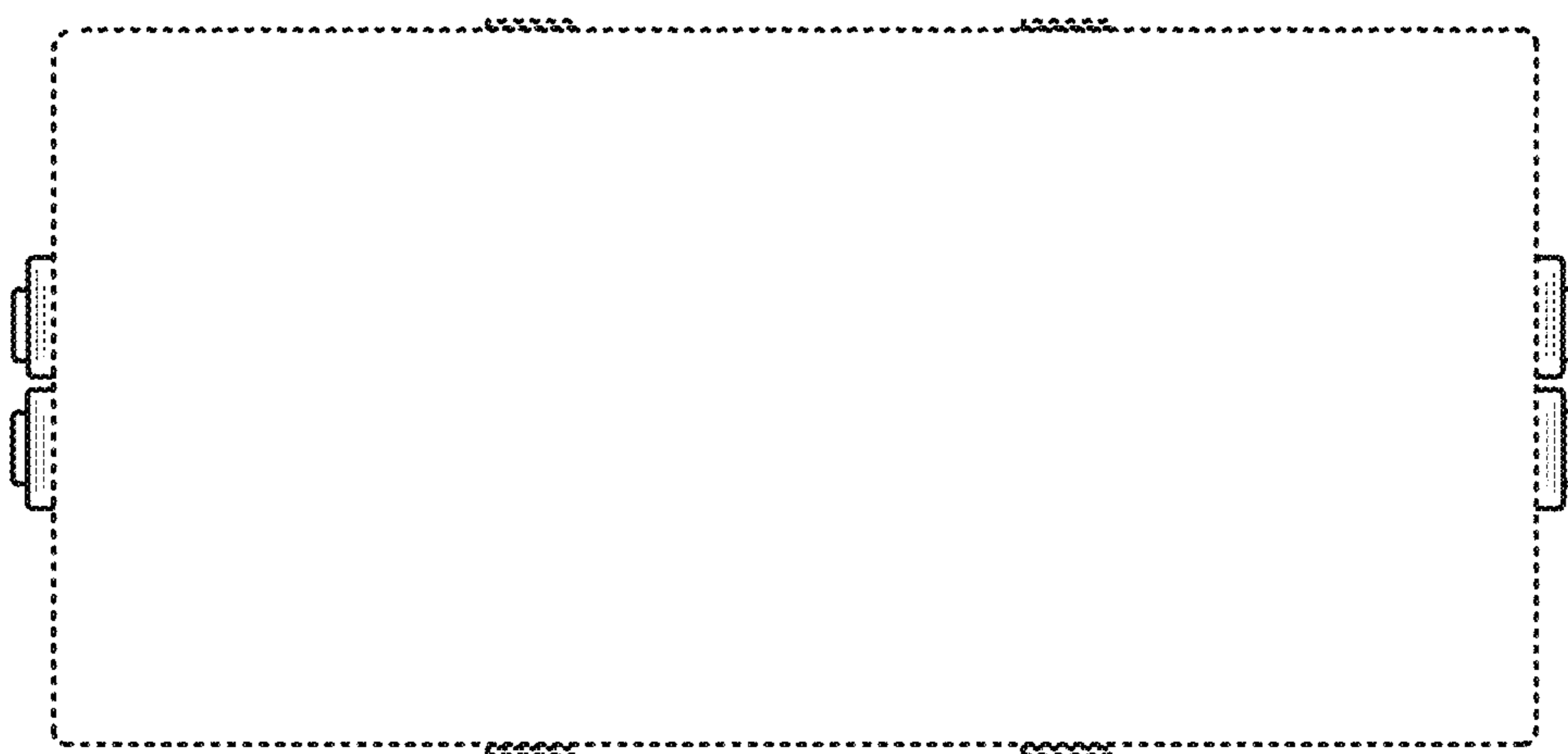


FIG. 7