



US00D850795S

(12) **United States Design Patent**
Goodman et al.

(10) **Patent No.:** **US D850,795 S**
(45) **Date of Patent:** **** Jun. 11, 2019**

(54) **ORGANIZER**

(71) Applicant: **Spectrum Diversified Designs, LLC**,
Streetsboro, OH (US)

(72) Inventors: **Aaron Goodman**, Beachwood, OH
(US); **Courtney Wilson**, Chardon, OH
(US)

(73) Assignee: **Spectrum Diversified Designs, LLC**,
Streetsboro, OH (US)

(**) Term: **15 Years**

(21) Appl. No.: **29/633,644**

(22) Filed: **Jan. 15, 2018**

(51) **LOC (11) Cl.** **03-01**

(52) **U.S. Cl.**
USPC **D3/306**

(58) **Field of Classification Search**
USPC D3/201, 304, 306-309, 314, 315;
D9/429; D19/75-77, 86, 92
CPC B65D 21/00; B65D 21/0209; B65D 1/38
See application file for complete search history.

(56) **References Cited**

U.S. PATENT DOCUMENTS

D370,323 S * 5/1996 Lafond D32/55
D431,907 S * 10/2000 Andujar D19/75
D436,626 S * 1/2001 Wang D19/77

D495,368 S * 8/2004 Hardy D19/75
D652,689 S * 1/2012 Goodman D7/637
D681,299 S * 4/2013 Lai D19/77
D823,648 S * 7/2018 Goodman D7/631
D835,911 S * 12/2018 Goodman D3/306

OTHER PUBLICATIONS

U.S. Appl. No. 29/590,678, filed Jan. 12, 2017, 2 pages and 4 pages
of drawings.

* cited by examiner

Primary Examiner — Kelley A Donnelly

(74) *Attorney, Agent, or Firm* — Tucker Ellis LLP

(57) **CLAIM**

The ornamental design for an organizer, as shown and
described.

DESCRIPTION

FIG. 1 is a perspective view of an organizer showing our
new design.

FIG. 2 is a front view thereof

FIG. 3 is a rear view thereof.

FIG. 4 is a right side view thereof.

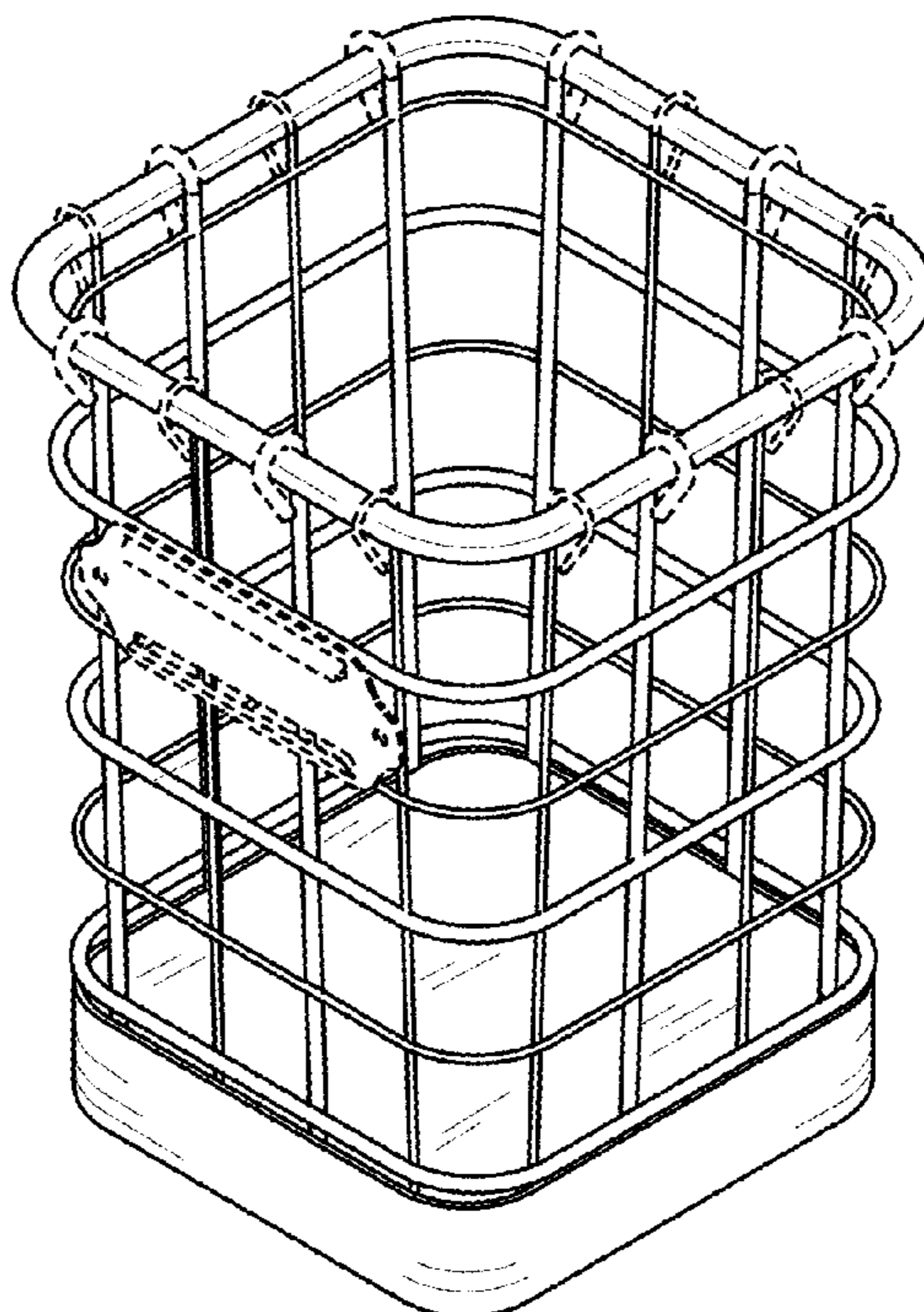
FIG. 5 is a left side view thereof.

FIG. 6 is a top view thereof; and,

FIG. 7 is a bottom view thereof.

The broken lines show portions of the design that form no
part of the claimed design.

1 Claim, 4 Drawing Sheets



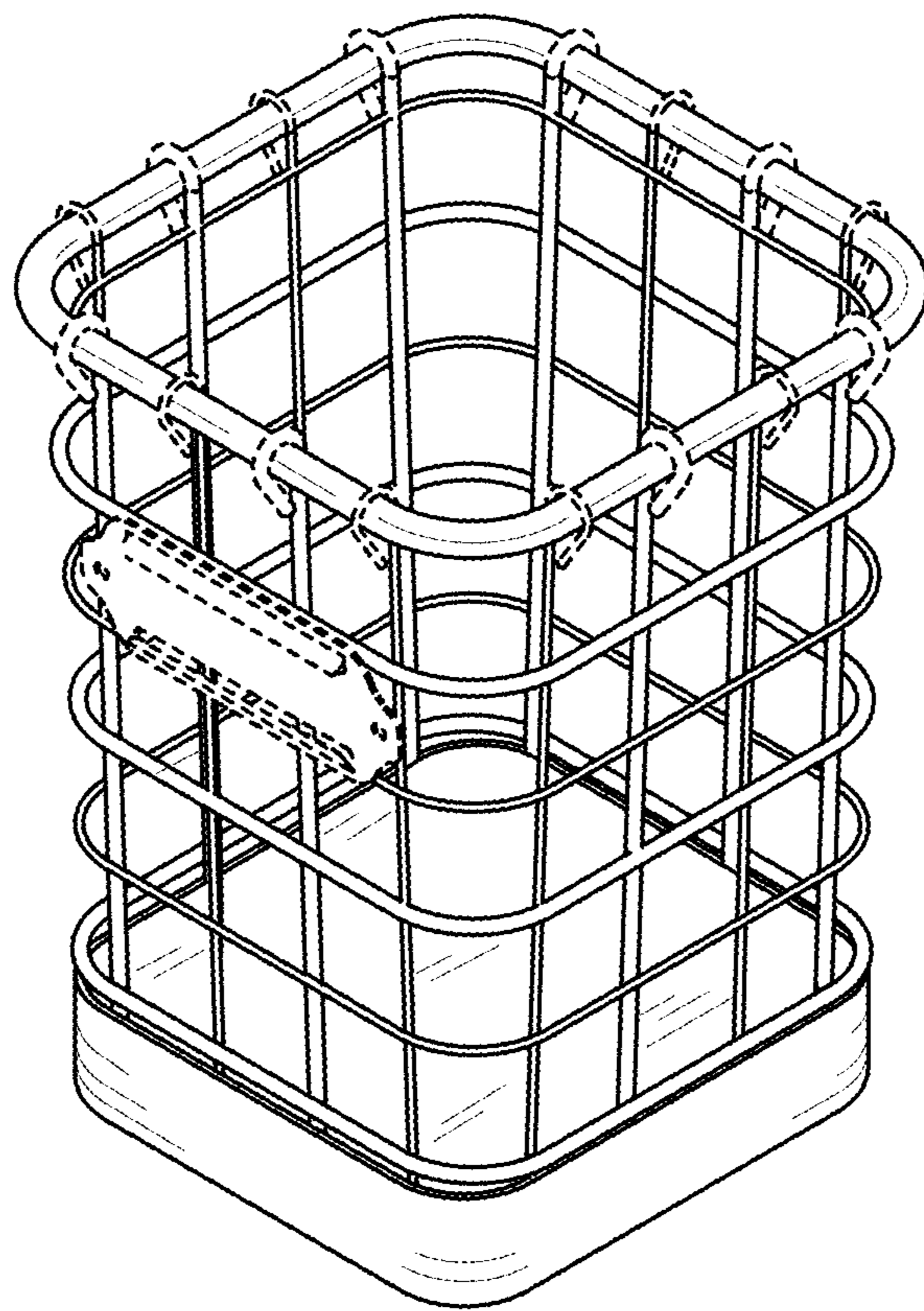


FIG. 1

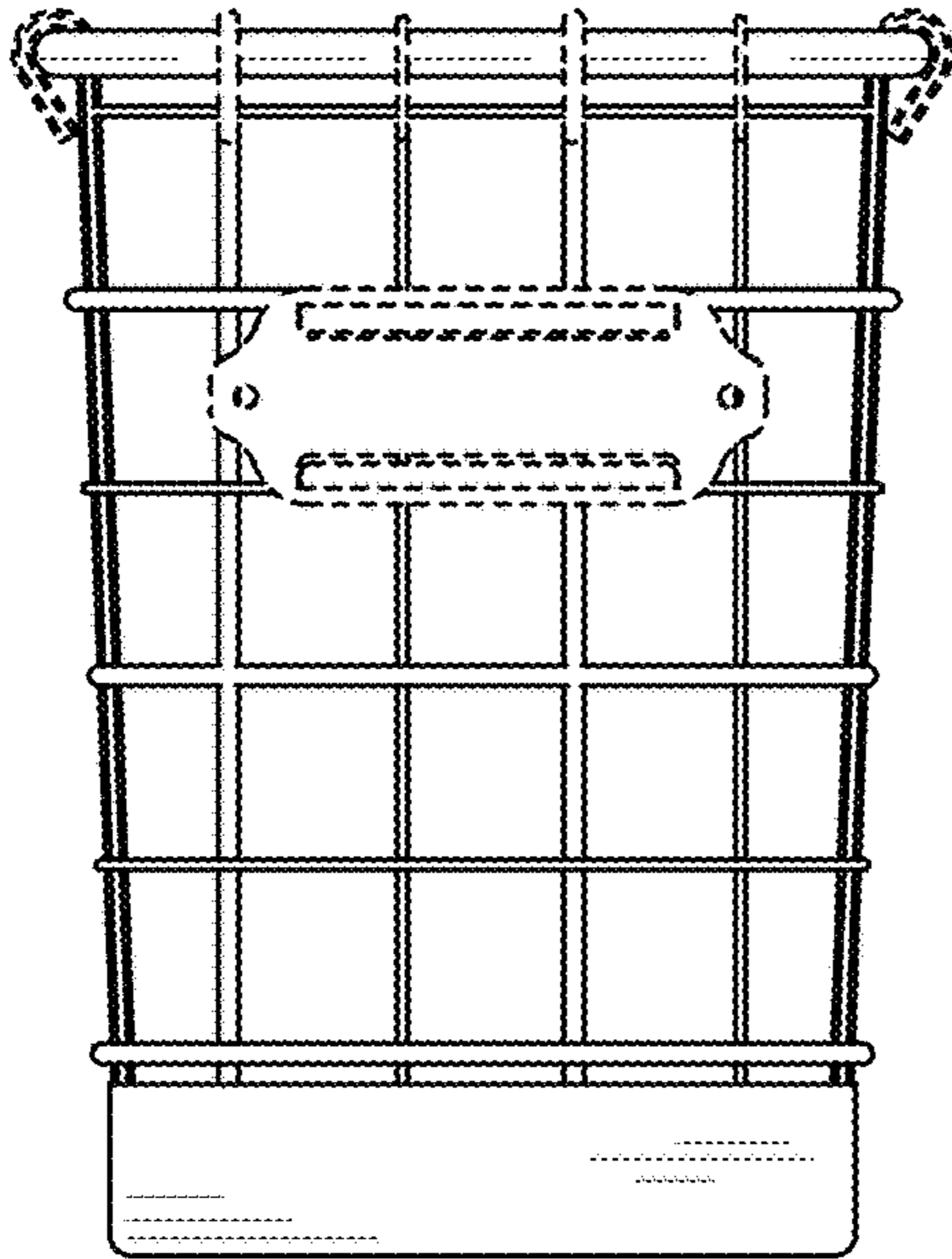


FIG. 2

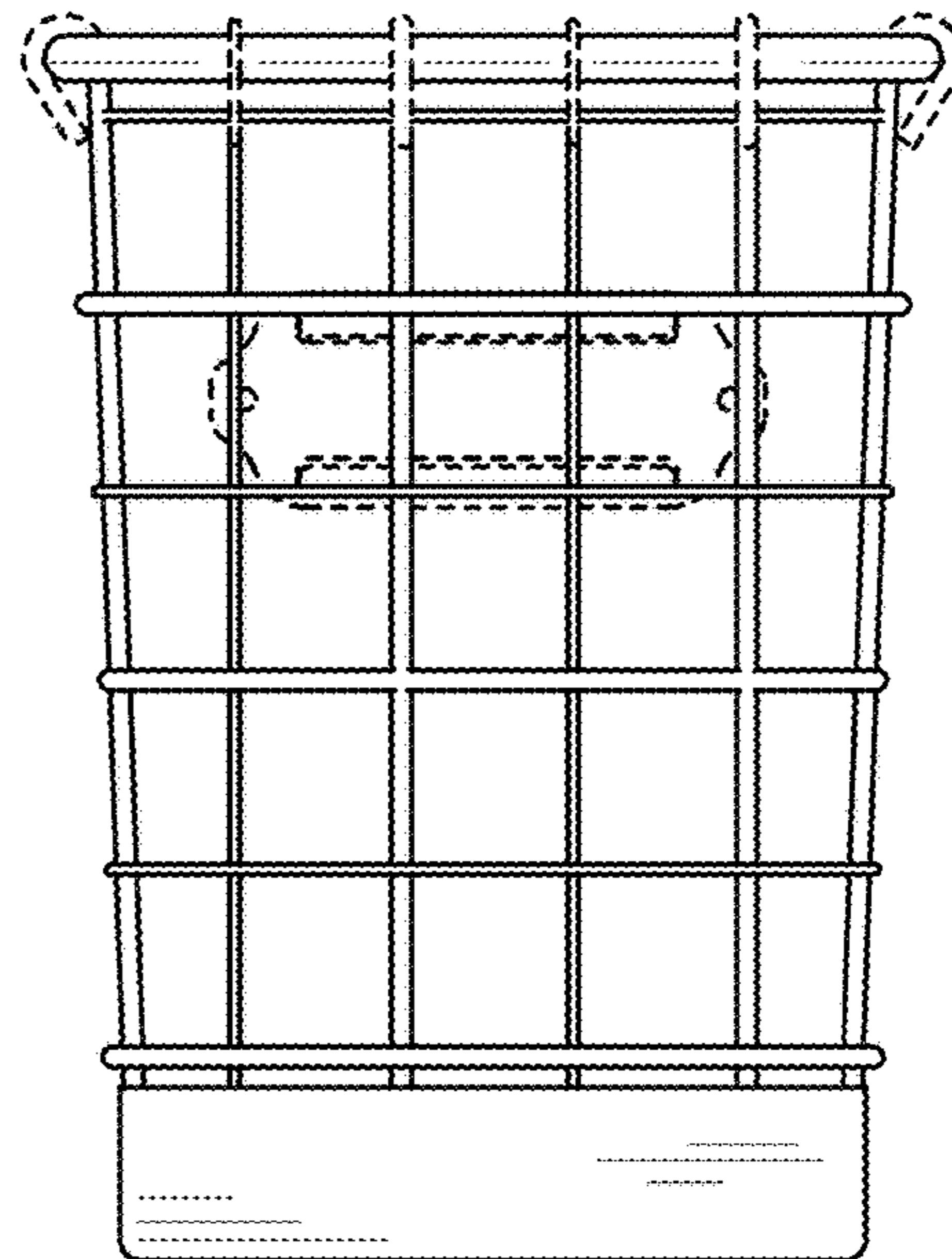


FIG. 3

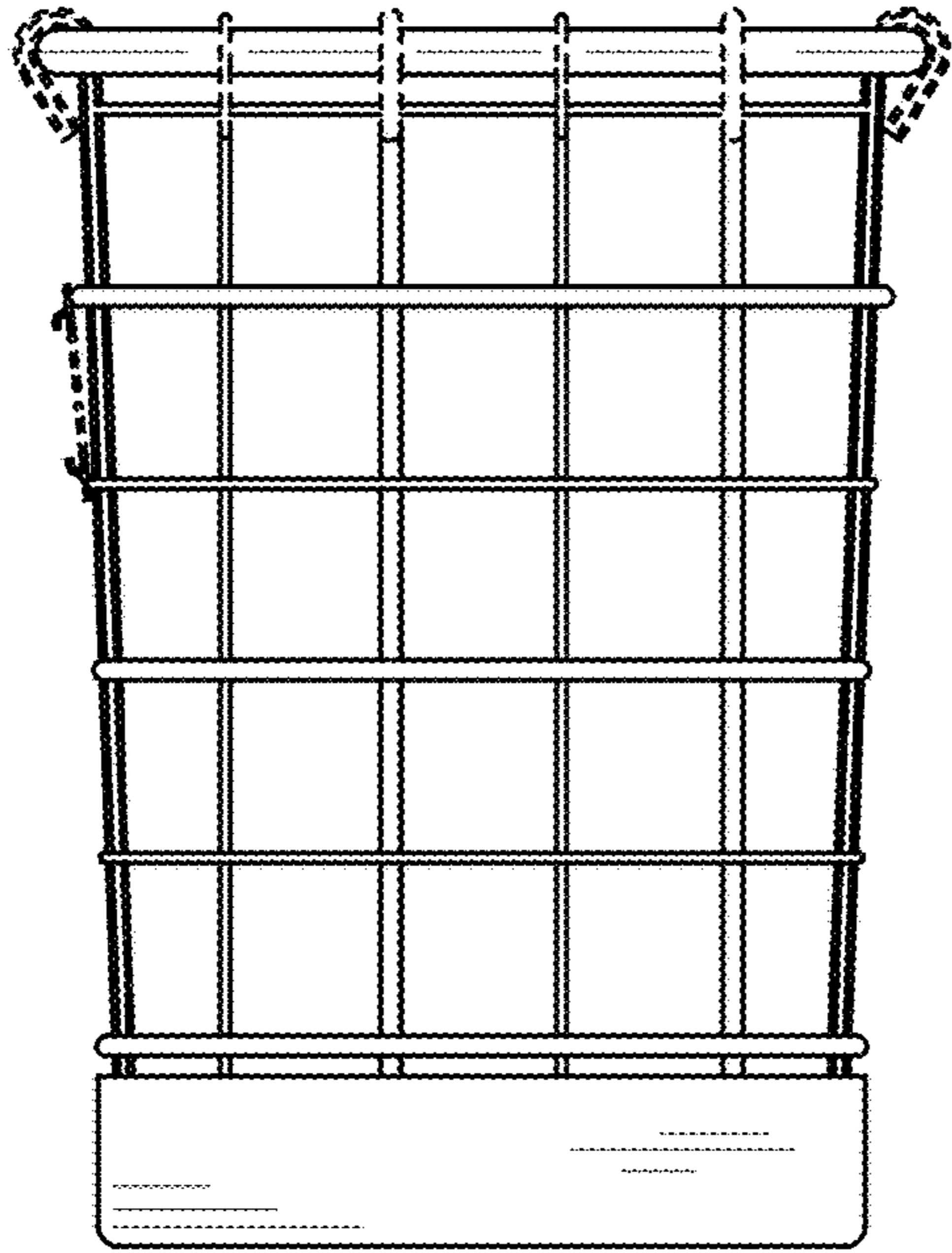


FIG. 4

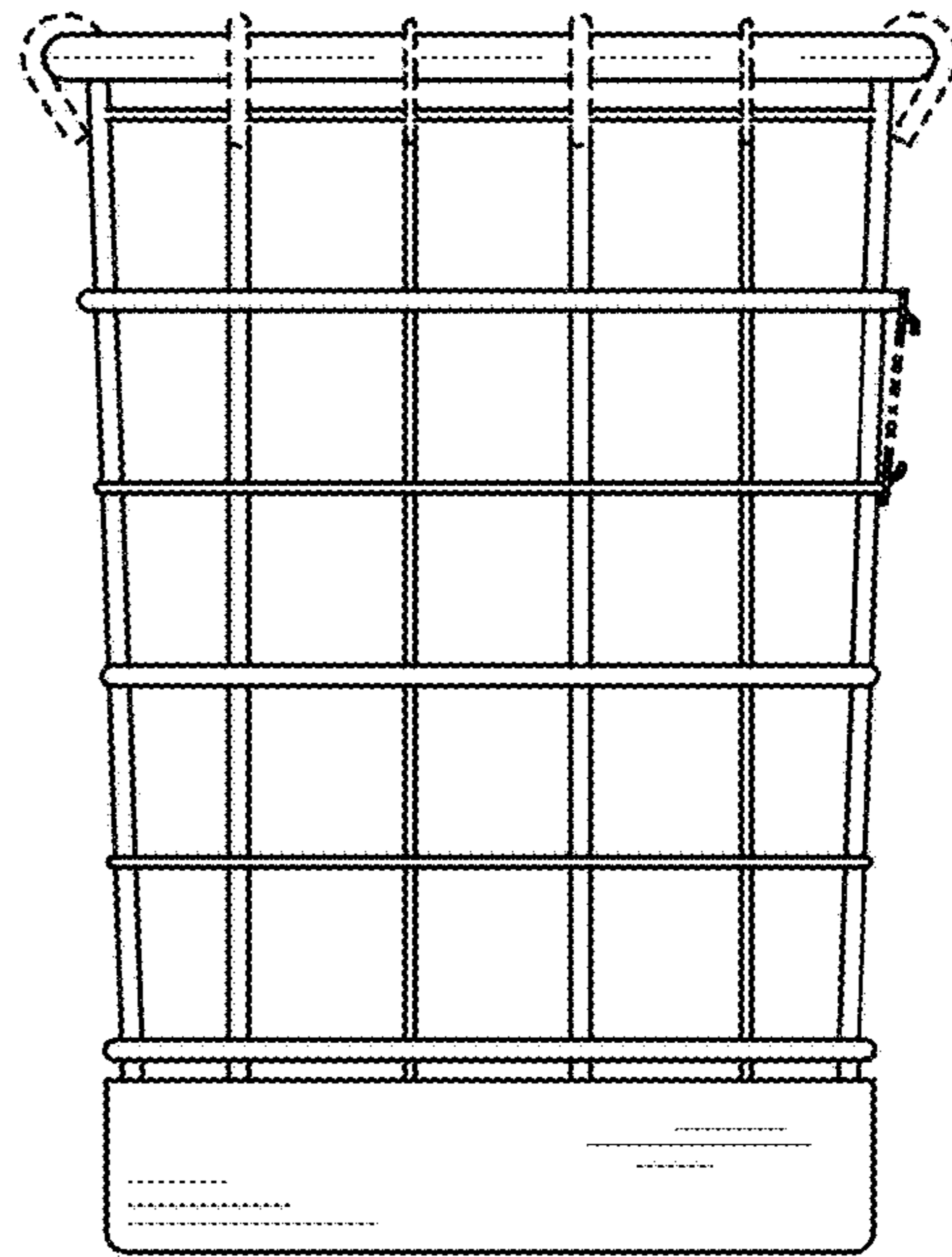


FIG. 5

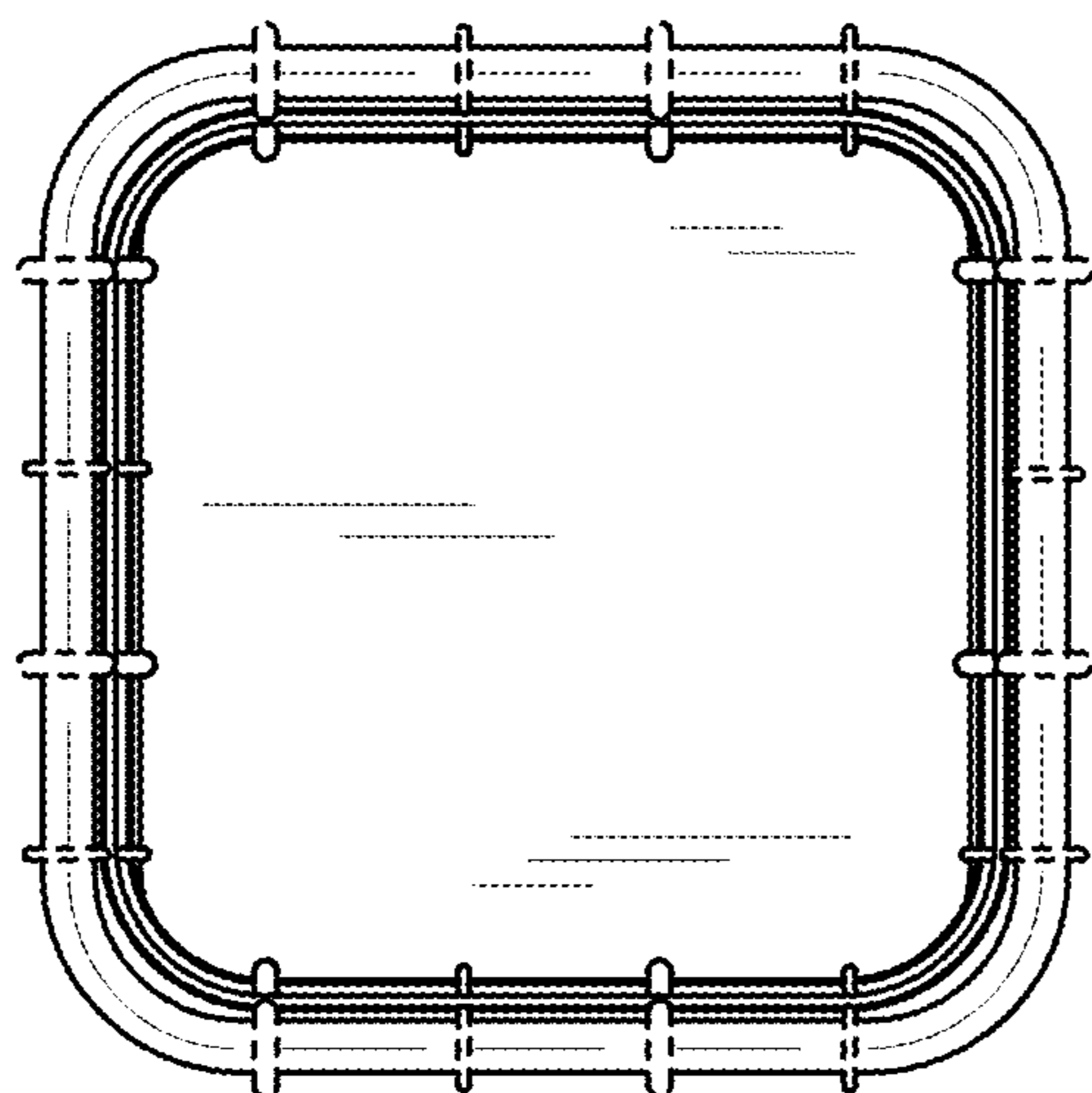


FIG. 6

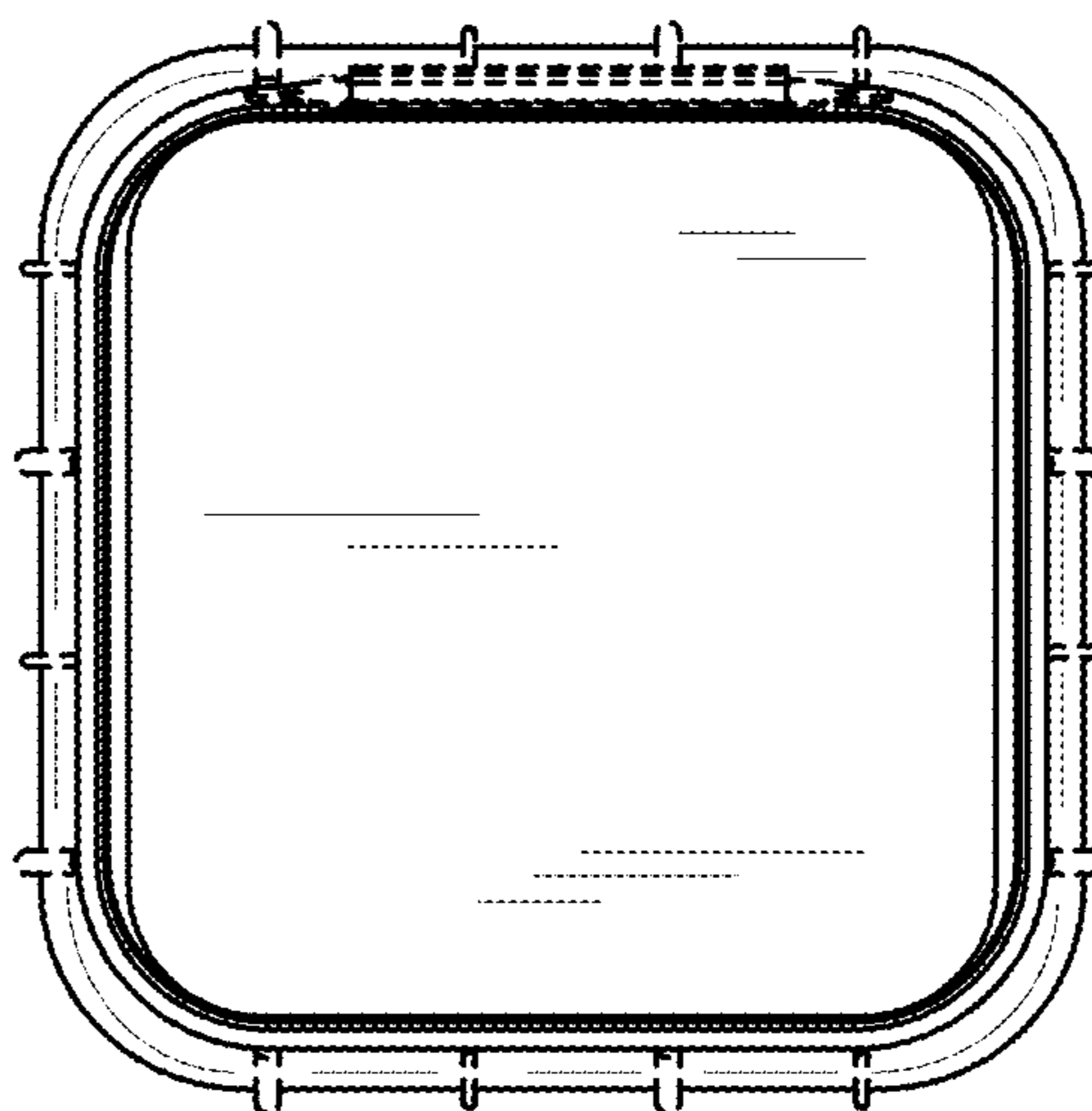


FIG. 7