



US00D850793S

(12) **United States Design Patent**
Waldner

(10) **Patent No.:** **US D850,793 S**
(45) **Date of Patent:** **** Jun. 11, 2019**

- (54) **TOOL CRATE**
- (71) Applicant: **Crystal Spring Colony Farms Ltd., Ste. Agathe (CA)**
- (72) Inventor: **David Waldner, Ste. Agathe (CA)**
- (73) Assignee: **Crystal Spring Colony Farms Ltd., Winnipeg (CA)**
- (**) Term: **15 Years**
- (21) Appl. No.: **29/608,758**
- (22) Filed: **Jun. 26, 2017**
- (51) **LOC (11) Cl.** **03-01**
- (52) **U.S. Cl.**
USPC **D3/304**
- (58) **Field of Classification Search**
USPC D6/672, 675, 682, 682.1, 683, 683.1;
D3/304, 307, 308, 309
CPC ... B65D 1/00; B65D 1/22; B65D 1/24; B65D
1/243
See application file for complete search history.

- D493,304 S * 7/2004 Shaw D6/683.1
- 7,575,117 B2 * 8/2009 Redzisz A45C 7/0036
206/373
- D624,319 S * 9/2010 Riedel D3/313
- D635,769 S * 4/2011 Sosnovsky D3/304
- D670,500 S * 11/2012 Sosnovsky D3/304

* cited by examiner

Primary Examiner — Kelley A Donnelly

(74) *Attorney, Agent, or Firm* — Adrian D. Battison; Ade & Company Inc.; Ryan W. Dupuis

(57) **CLAIM**

The ornamental design for a tool crate, as shown and described.

DESCRIPTION

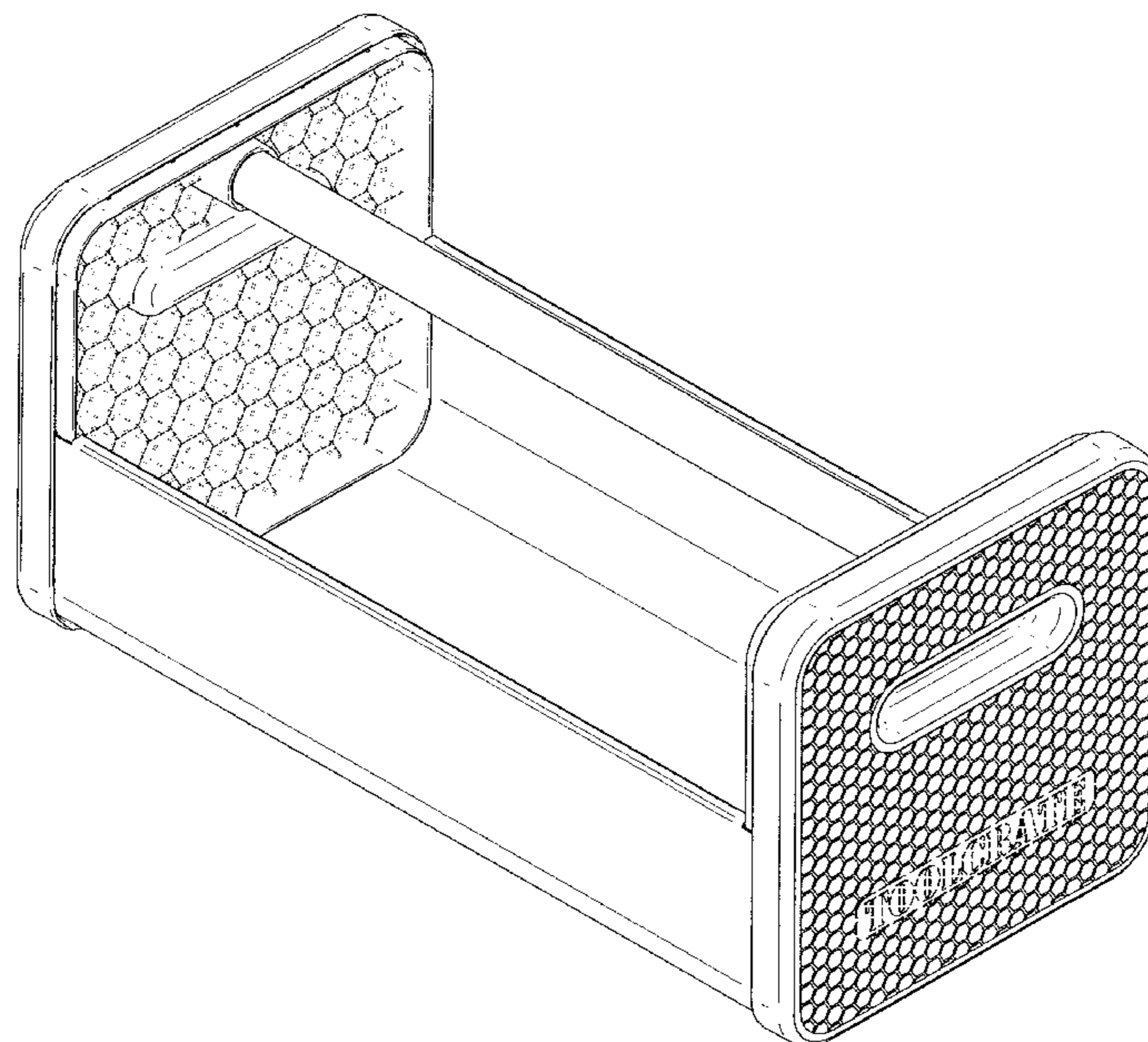
FIG. 1 is a first isometric view from the front and one side of the tool crate showing the design.
 FIG. 2 is a front elevational view of the tool crate showing the design.
 FIG. 3 is a rear elevational view of the tool crate showing the design.
 FIG. 4 is a left side elevational view of the tool crate showing the design.
 FIG. 5 is a right side elevational view of the tool crate showing the design.
 FIG. 6 is a top plan view of the tool crate showing the design; and,
 FIG. 7 is a bottom plan view of the tool crate showing the design.
 The broken lines depict environmental subject matter only and form no part of the claimed design.

1 Claim, 7 Drawing Sheets

(56) **References Cited**

U.S. PATENT DOCUMENTS

- 2,740,517 A * 4/1956 Evans B25H 3/06
144/285
- 4,122,944 A * 10/1978 De Napoli B25H 3/02
206/349
- D266,207 S * 9/1982 Kirchberger D3/200
- D328,161 S * 7/1992 Welch D22/112
- D346,682 S * 5/1994 Trovato D3/308
- D474,891 S * 5/2003 Huang D3/309



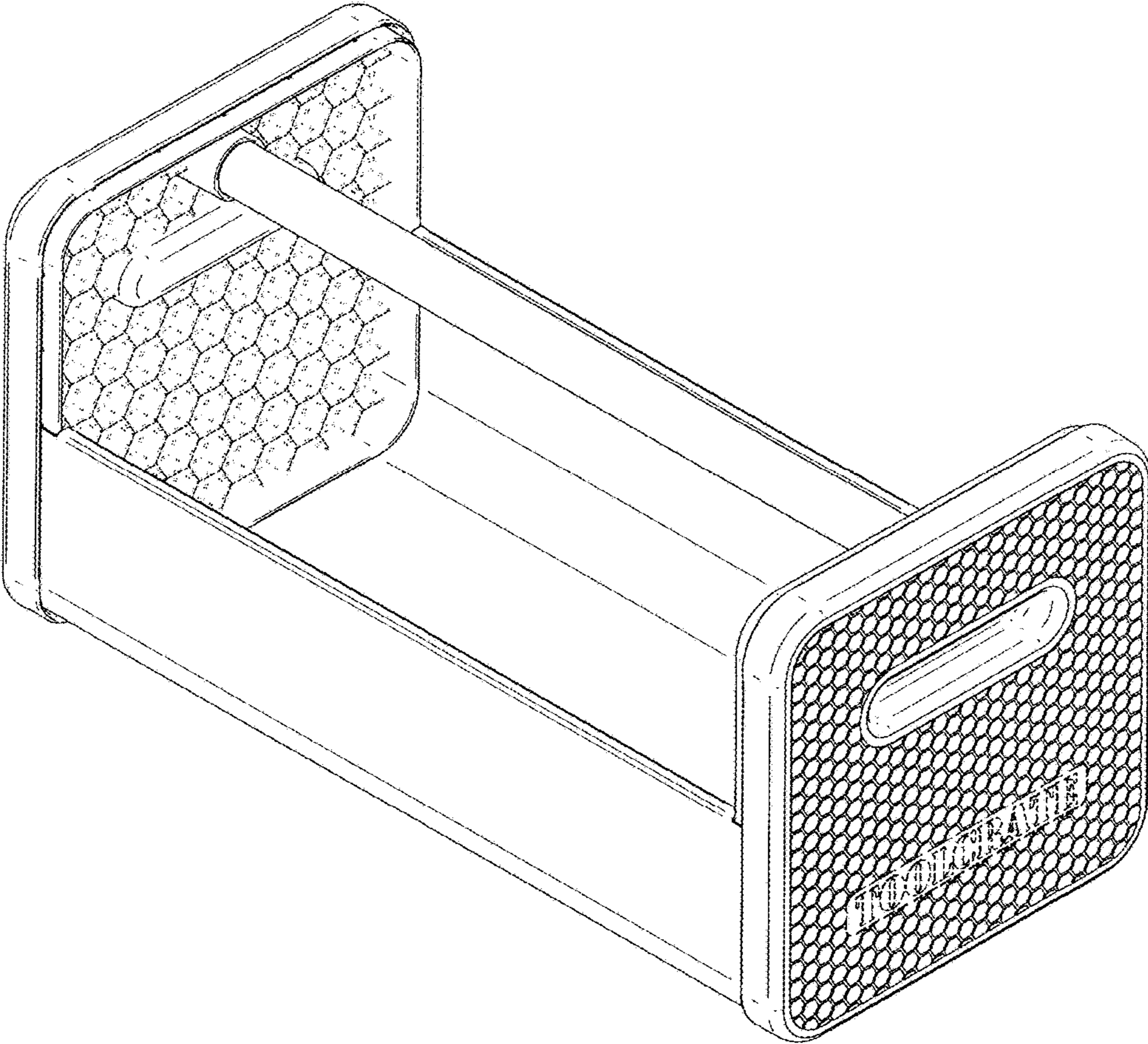


Figure 1

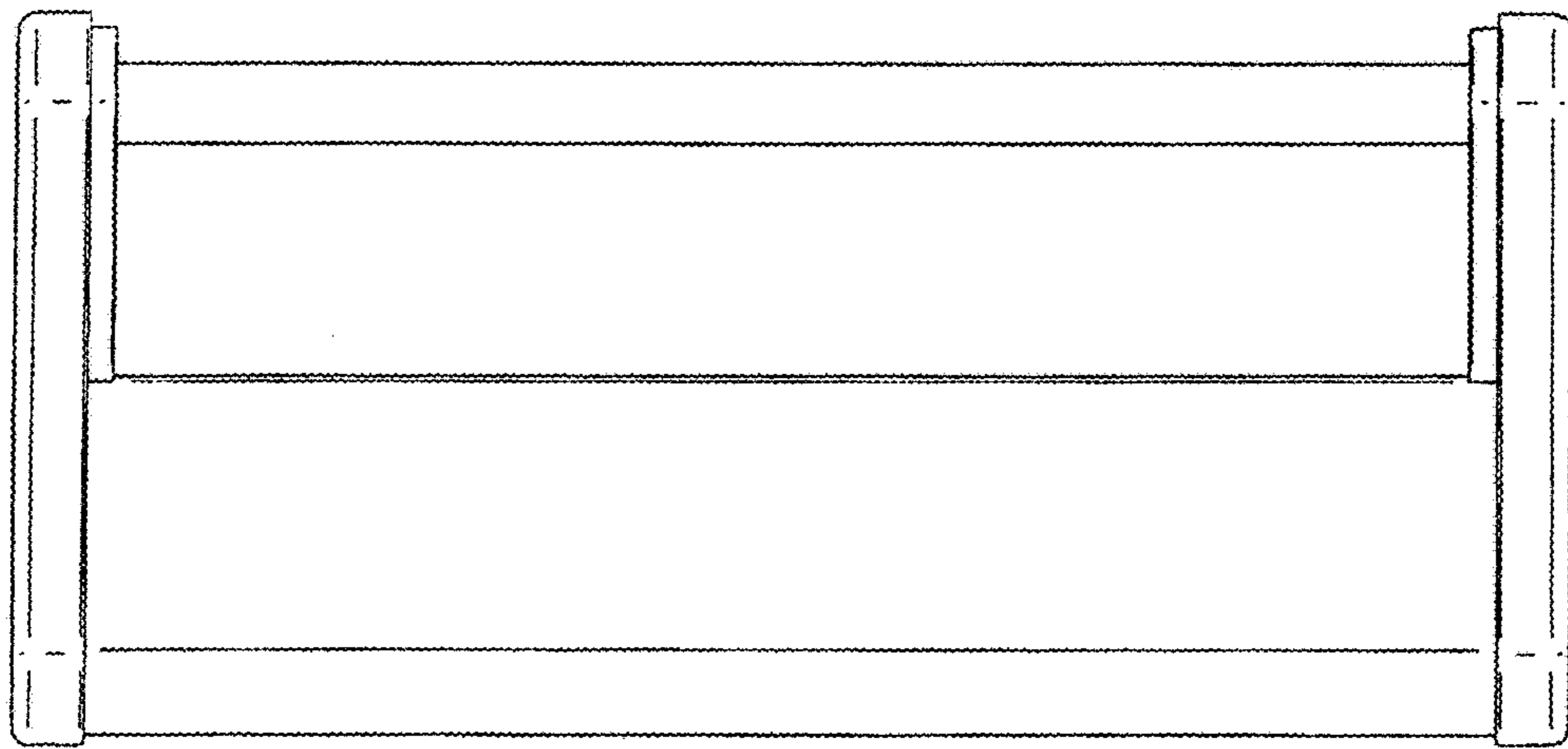


Figure 2

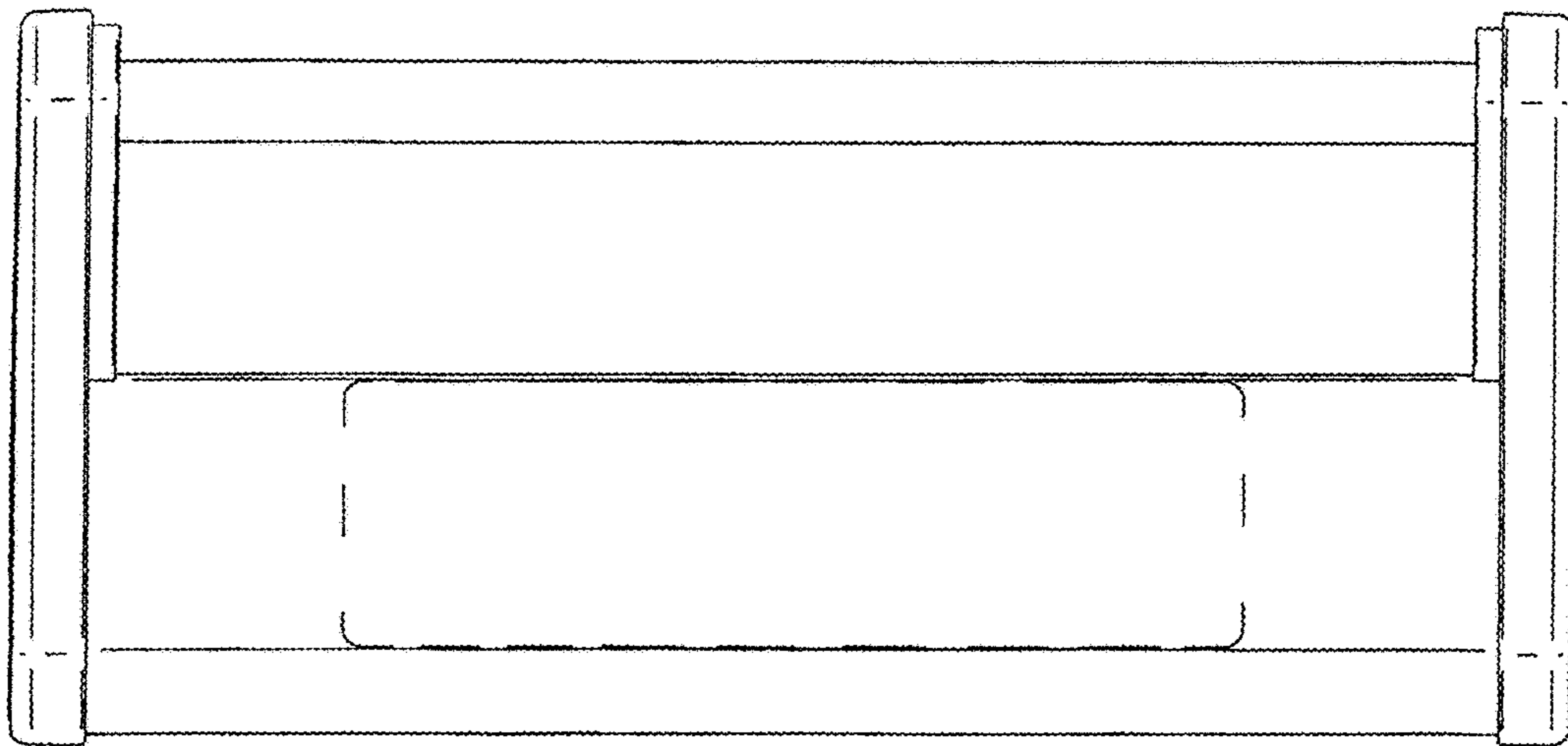


Figure 3

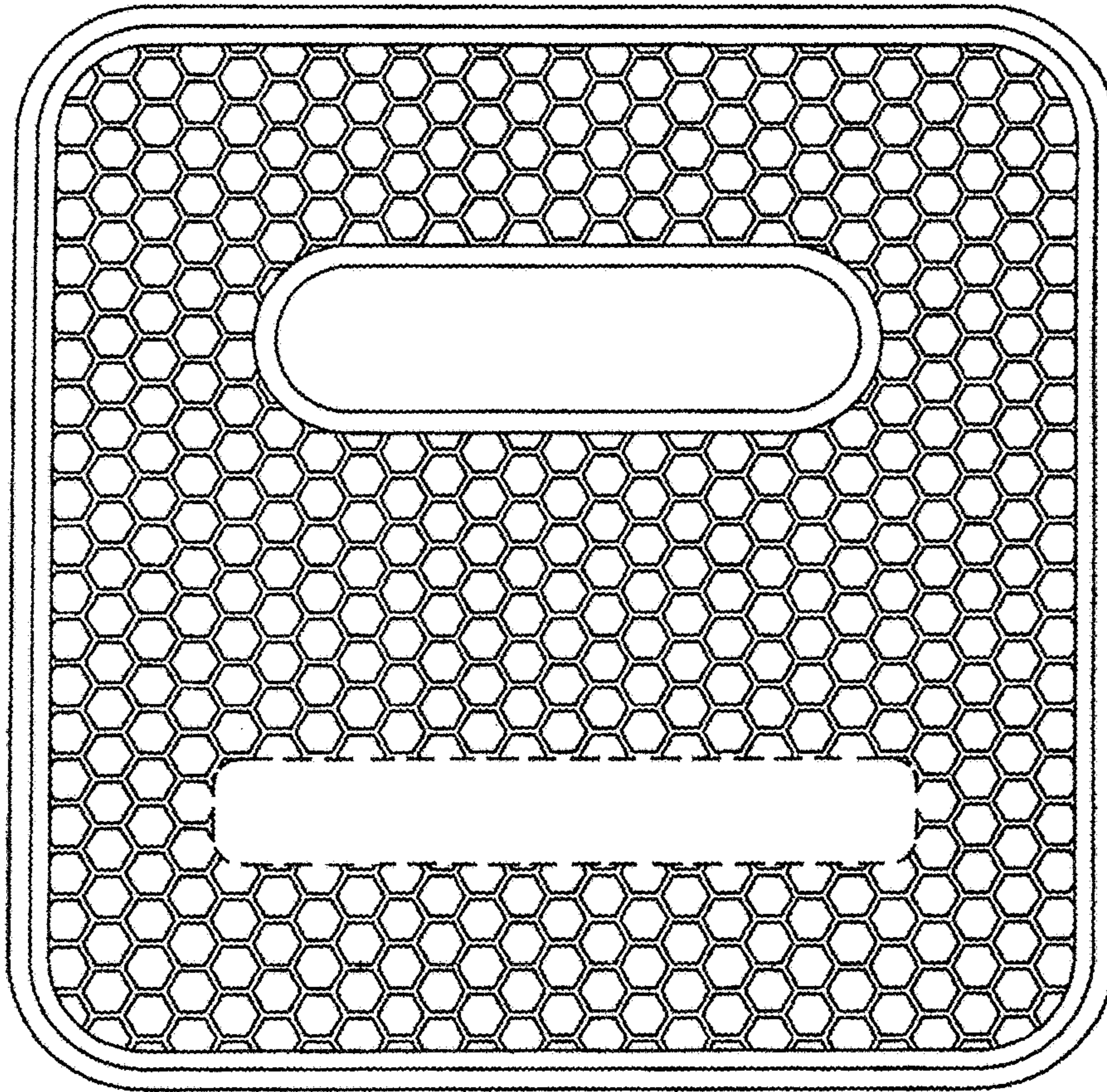


Figure 4

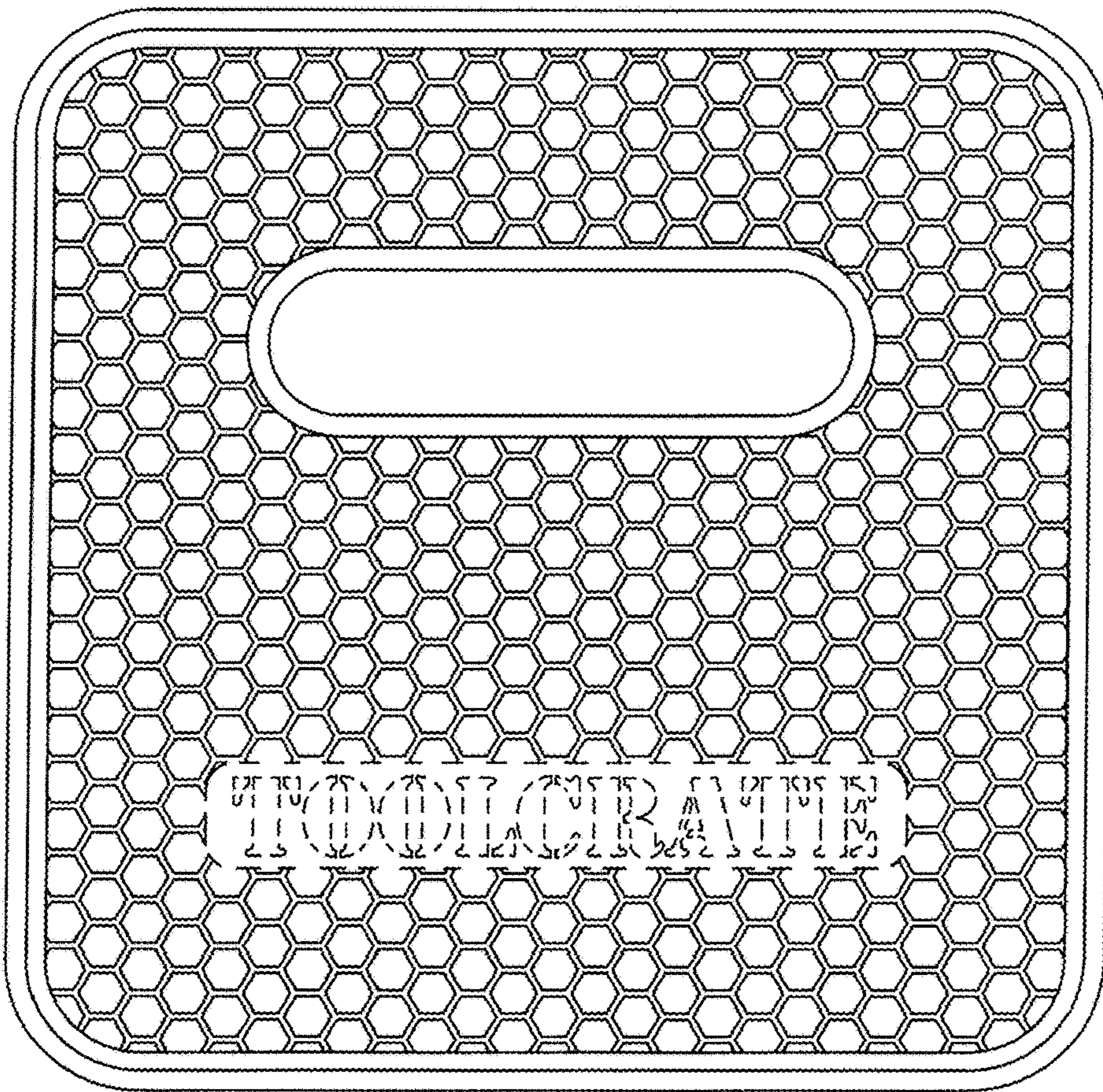


Figure 5

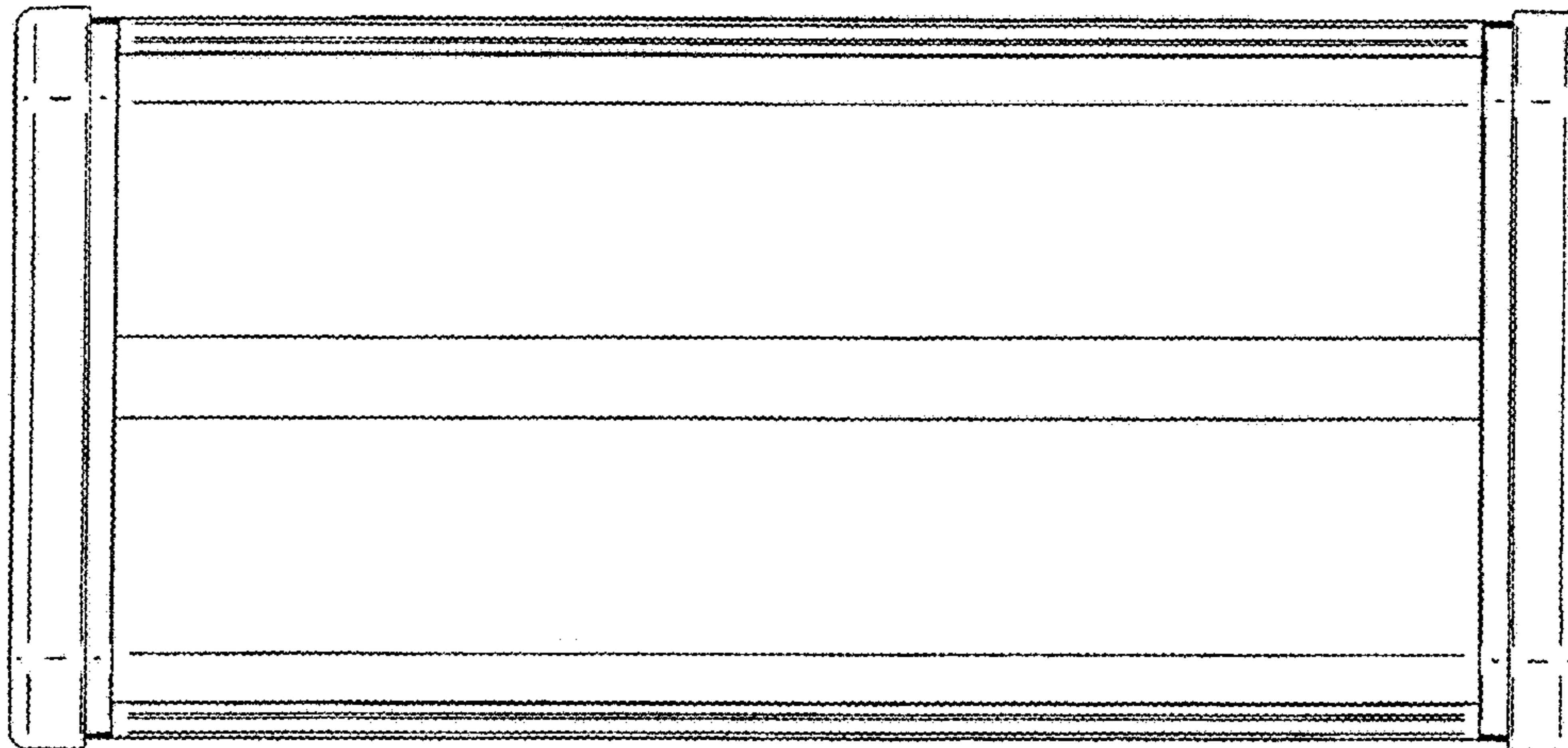


Figure 6

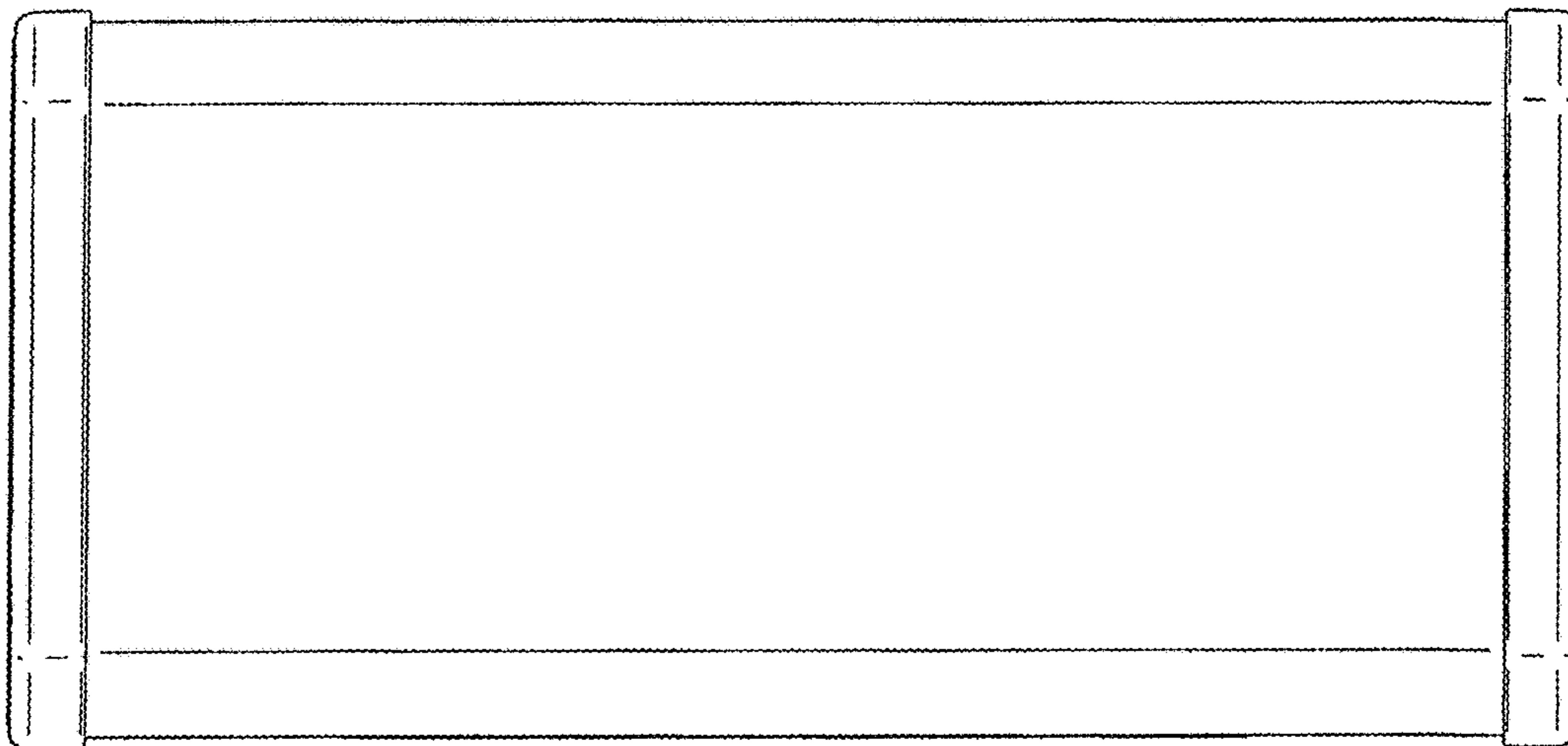


Figure 7