



US00D850790S

(12) **United States Design Patent**
Thibadeau

(10) **Patent No.:** **US D850,790 S**
(45) **Date of Patent:** **** Jun. 11, 2019**

(54) **BAG**

(71) Applicant: **Thule, Inc.**, Seymour, CT (US)

(72) Inventor: **Mark Thibadeau**, Boulder, CO (US)

(73) Assignee: **Thule, Inc.**, Seymour, CT (US)

(**) Term: **15 Years**

(21) Appl. No.: **29/630,316**

(22) Filed: **Dec. 20, 2017**

(51) **LOC (11) Cl.** **03-01**

(52) **U.S. Cl.**
USPC **D3/289; D3/902**

(58) **Field of Classification Search**

USPC D3/201, 205, 226, 247, 250, 273, 274,
D3/276, 278, 283, 284, 285, 289, 290,
D3/299, 301, 905, 243; D7/605, 607
CPC A45C 3/00; A45C 3/004; A45C 2003/008;
A45C 5/06; A45C 3/04; A45C 13/00
See application file for complete search history.

(56) **References Cited**

U.S. PATENT DOCUMENTS

D112,723 S *	12/1938	Schmidt	190/119
D113,446 S *	2/1939	White	190/119
D241,783 S *	10/1976	Sanford	D3/268
D354,851 S *	1/1995	Smith	D3/254
D451,279 S *	12/2001	Chin	D3/301
D509,959 S *	9/2005	Nykoluk	D3/289
D540,037 S *	4/2007	Newson	D3/283
D648,533 S *	11/2011	Sosnovsky	D3/283
D698,150 S *	1/2014	Sabounjian	D3/285
D727,017 S *	4/2015	Aberg	
D738,107 S *	9/2015	Adler	D3/289

(Continued)

OTHER PUBLICATIONS

Amazon, "Pelican Weatherproof Duffel Mobile Protect Duffel—MPD100 (100 Liter)", First reviewed Jul. 7, 2018. ([https:// www.amazon.com/dp/B00745SX7Q/](https://www.amazon.com/dp/B00745SX7Q/)) (Year: 2018).*

(Continued)

Primary Examiner — Jennifer Rivard

Assistant Examiner — April Rivas

(74) *Attorney, Agent, or Firm* — Sterne, Kessler, Goldstein & Fox P.L.L.C.

(57) **CLAIM**

The ornamental design for a bag, as shown and described.

DESCRIPTION

FIG. 1 is a top front perspective view of a bag showing the claimed design;

FIG. 2 is a front view thereof;

FIG. 3 is a rear view thereof;

FIG. 4 is a left side view thereof;

FIG. 5 is a right side view thereof;

FIG. 6 is a top view thereof;

FIG. 7 is a bottom view thereof;

FIG. 8 is a top front perspective view of the bag of FIG. 1 shown in an expanded configuration;

FIG. 9 is a front view thereof in an expanded configuration;

FIG. 10 is a rear view thereof in an expanded configuration;

FIG. 11 is a left side view thereof in an expanded configuration;

FIG. 12 is a right side view thereof in an expanded configuration;

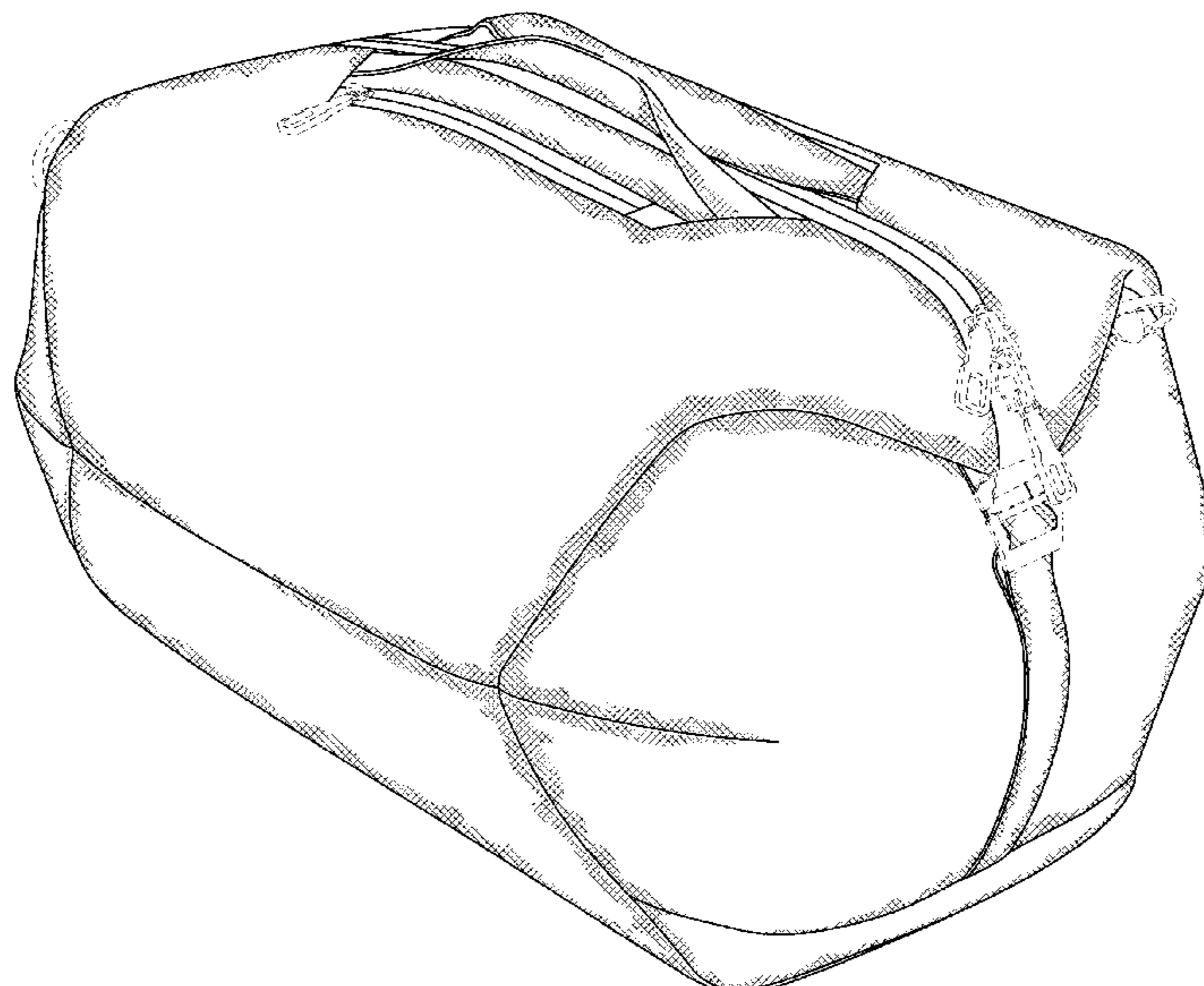
FIG. 13 is a top view thereof in an expanded configuration; and,

FIG. 14 is a bottom view thereof in an expanded configuration.

The broken lines in the figures show portions of the bag that form no part of the claimed design.

The hatched lines in the figures show shading and not surface ornamentation.

1 Claim, 14 Drawing Sheets



(56)

References Cited

U.S. PATENT DOCUMENTS

D782,188 S * 3/2017 Tappeiner D3/245
D783,371 S * 4/2017 Burton D3/290
D792,167 S * 7/2017 Bradley D7/607
D802,911 S * 11/2017 Wang D3/201
D833,736 S * 11/2018 Voll D3/217
2012/0145720 A1* 6/2012 Hicks A45C 3/00
220/592.2
2014/0008166 A1* 1/2014 Machuca A45C 3/00
190/112
2017/0143085 A1* 5/2017 Kukathas A45C 3/00

OTHER PUBLICATIONS

Thule, "Thule Subterra Duffel 45L", Accessed Jan. 14, 2019.
(https://www.thule.com/en-us/us/luggage/travel-duffel-bags/thule-subterra-duffel-45l_-3203516) (Year: 2019).*

* cited by examiner

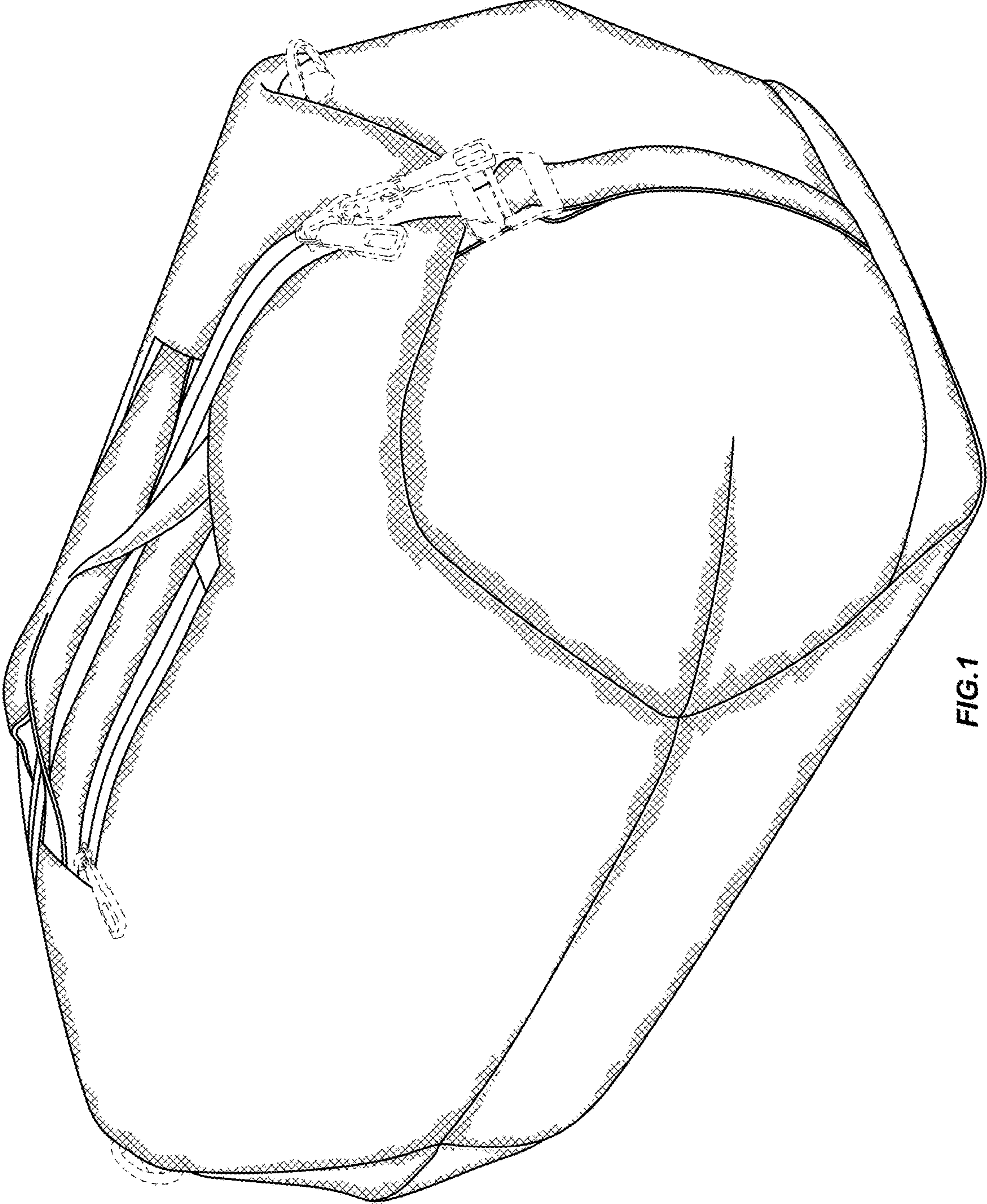


FIG. 1

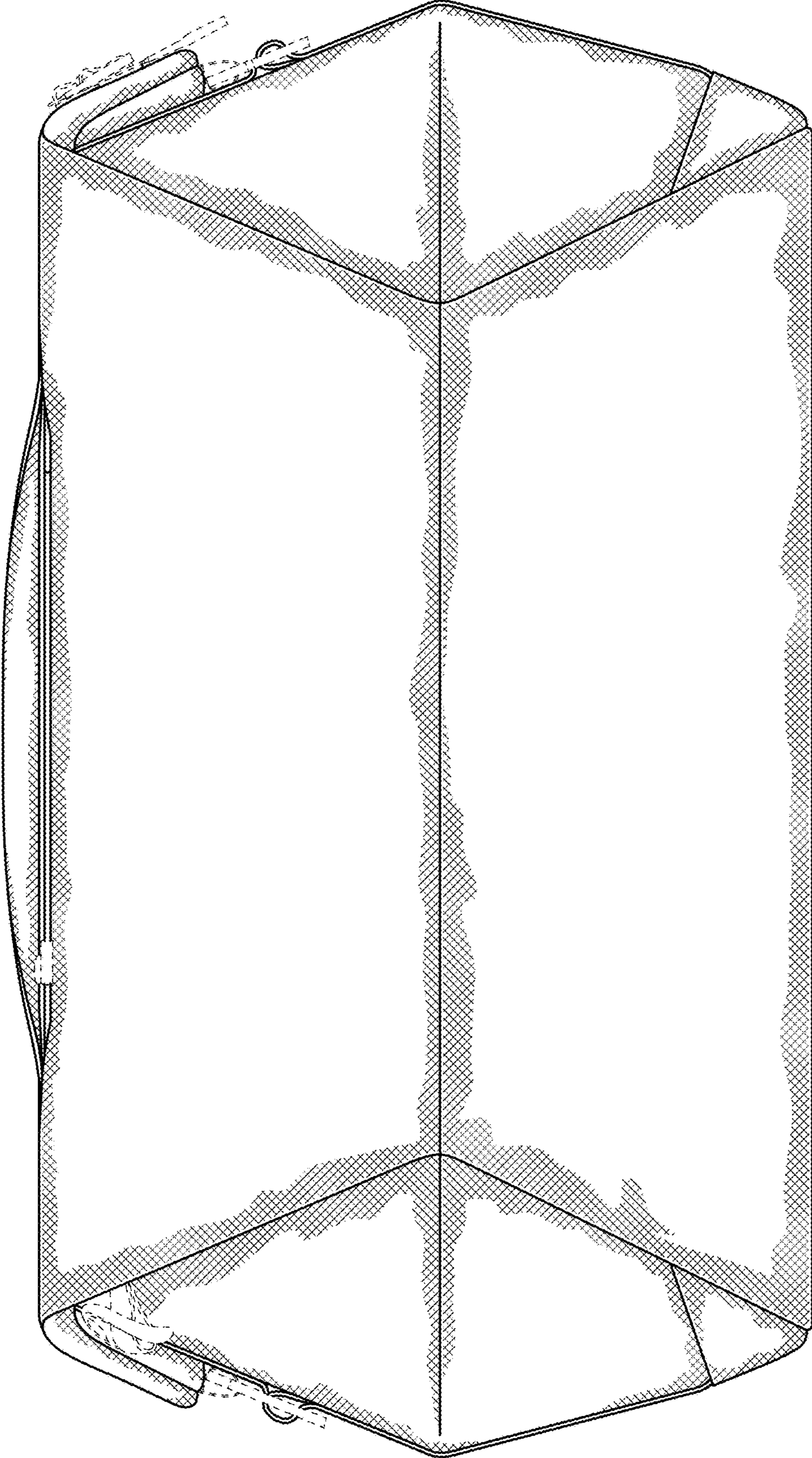


FIG.2

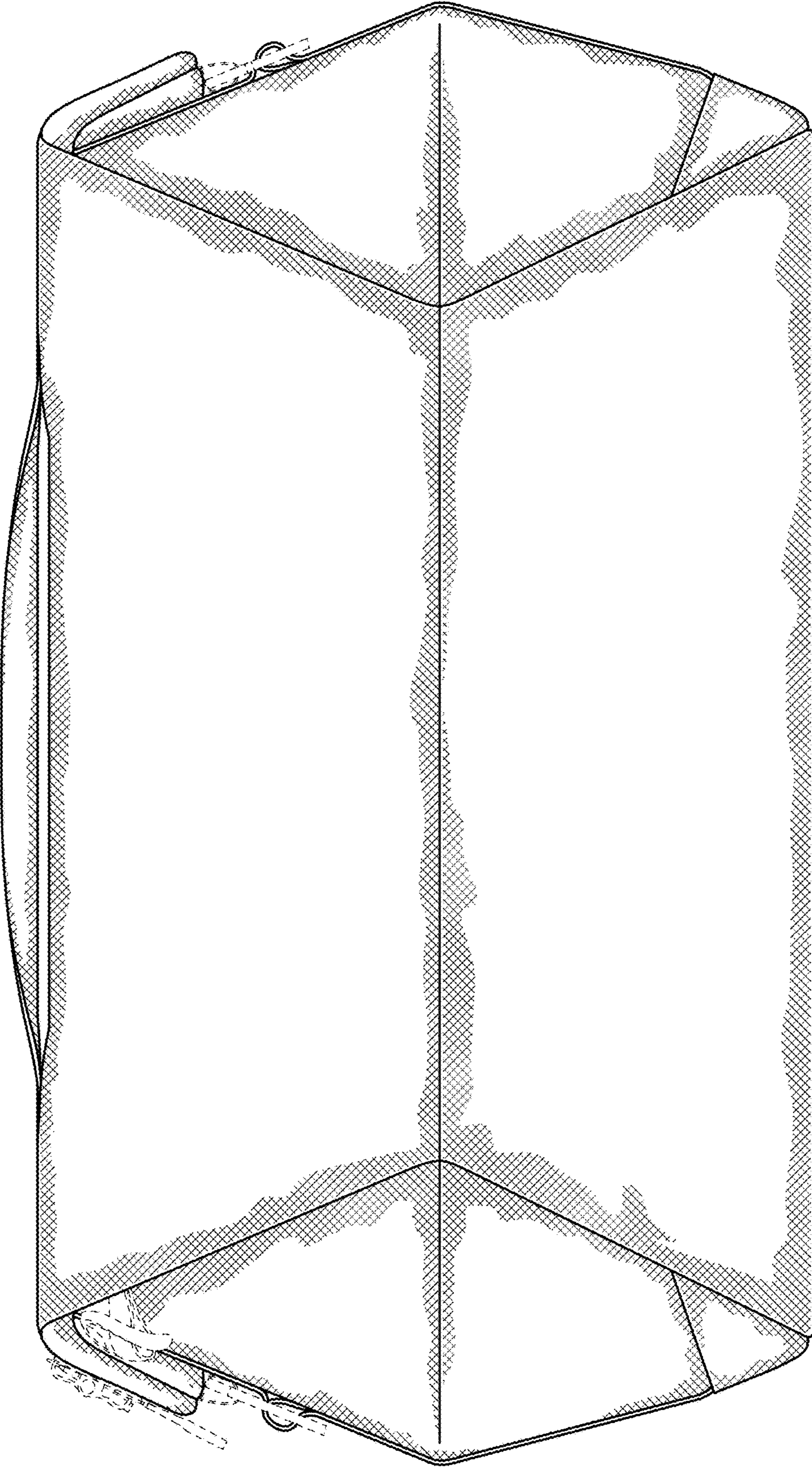


FIG.3

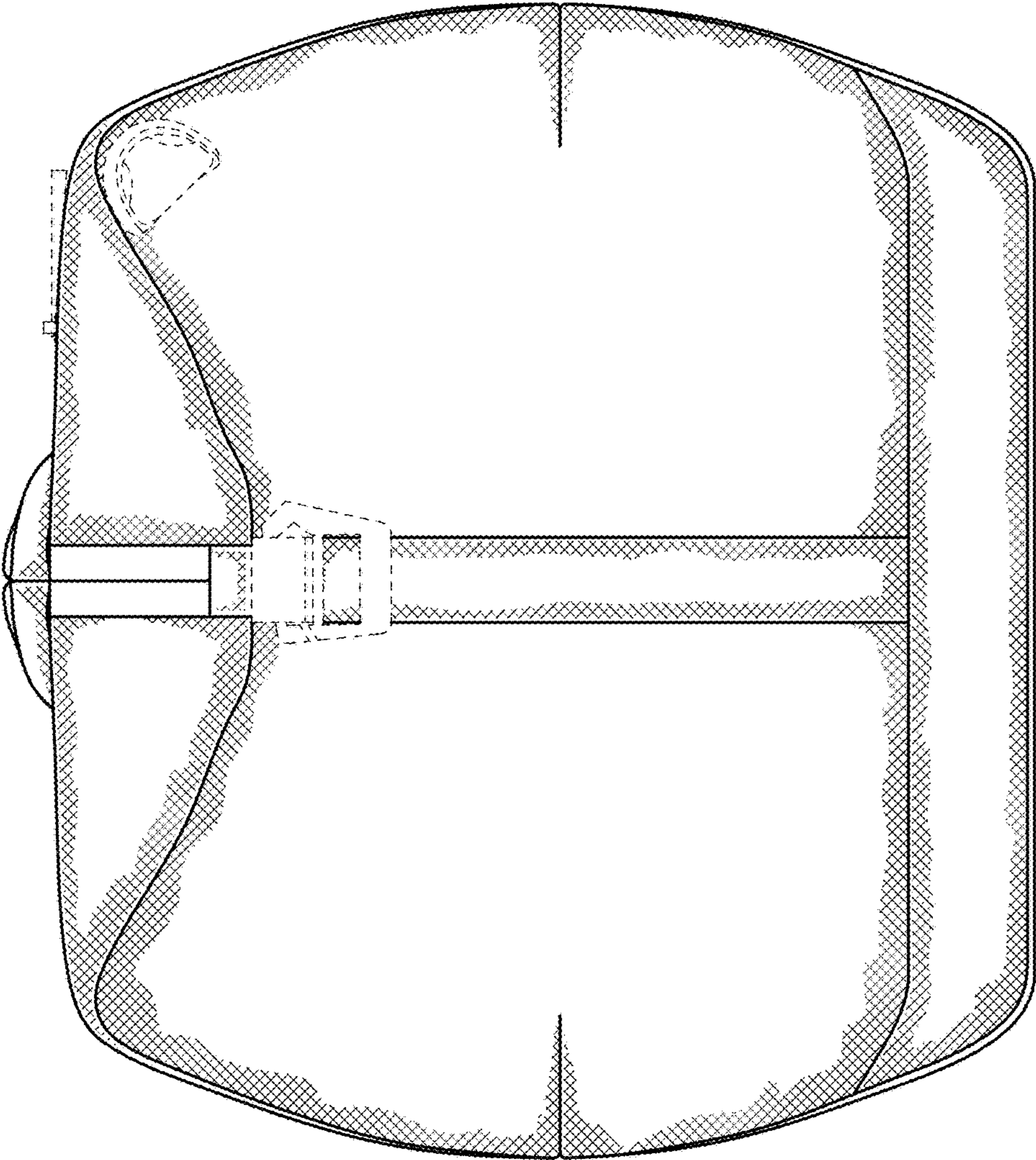


FIG.4

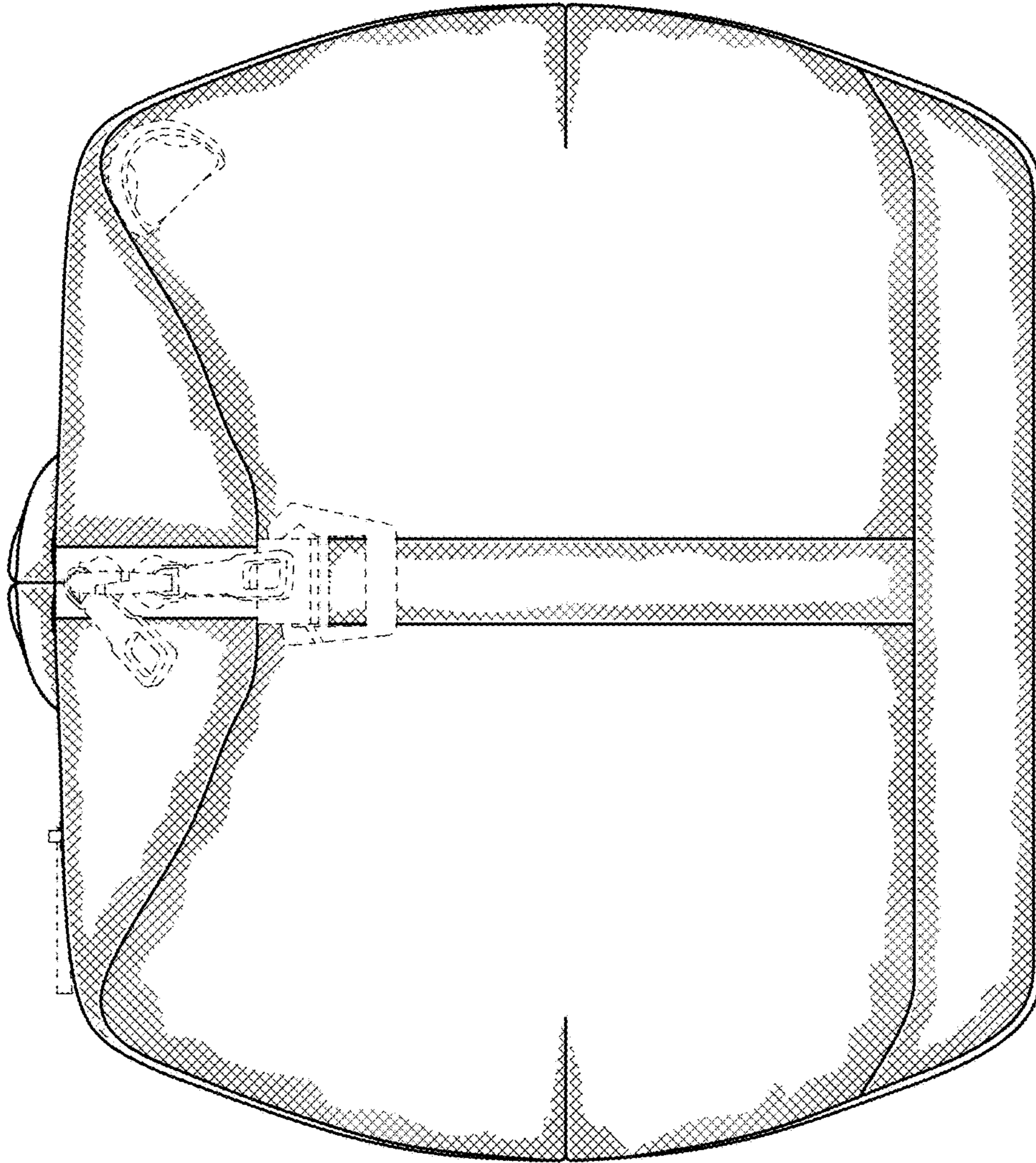


FIG. 5

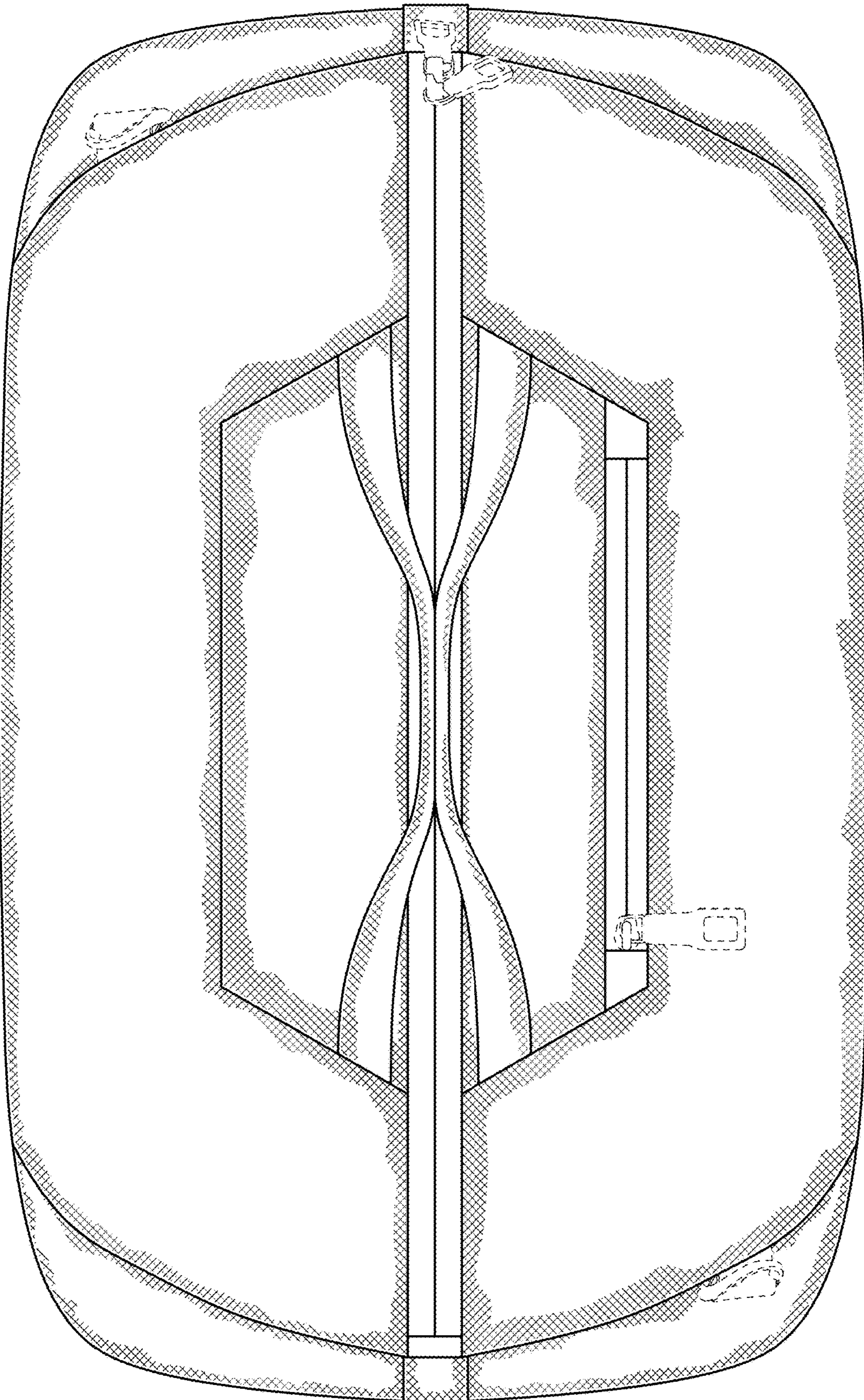


FIG.6

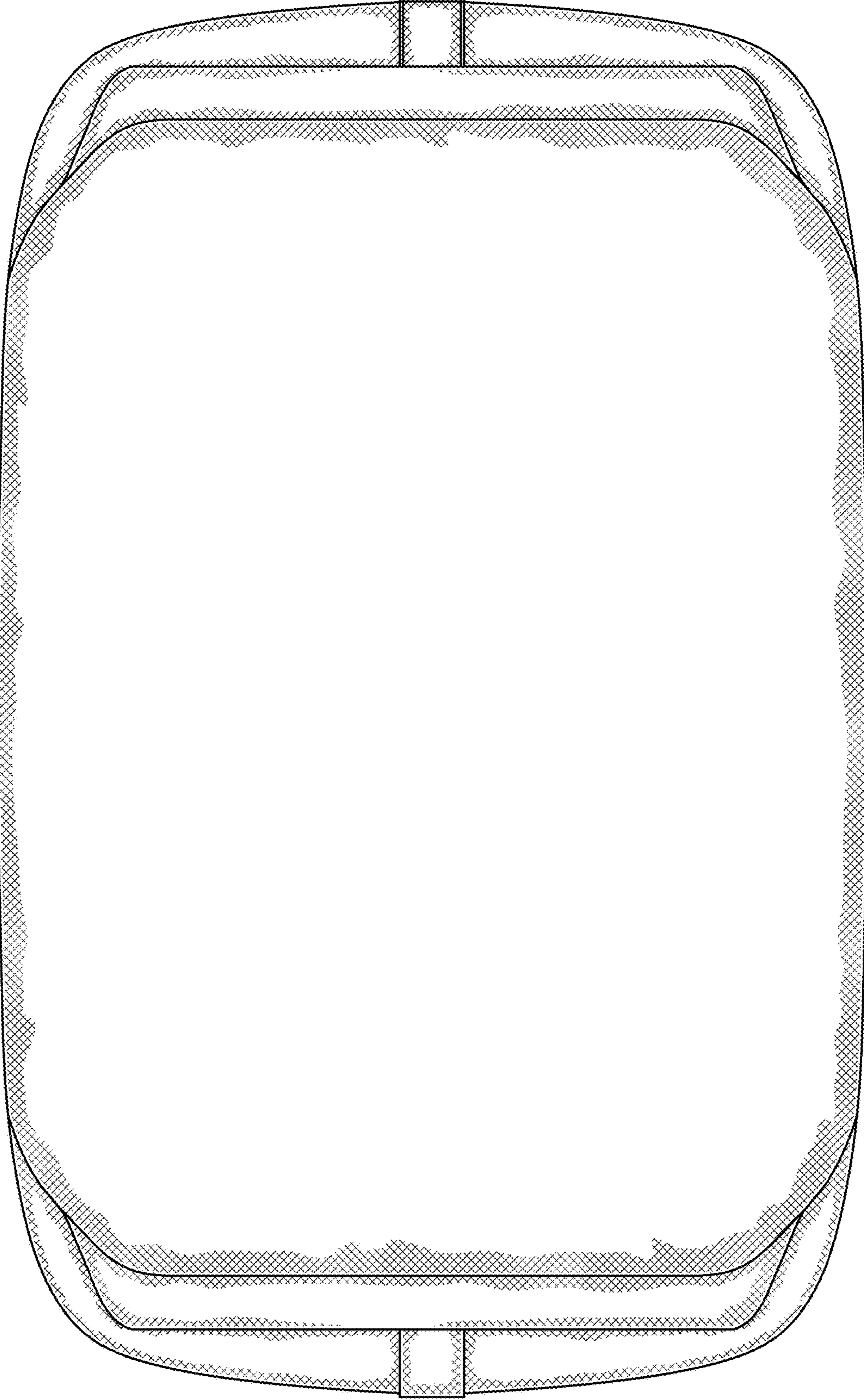


FIG.7

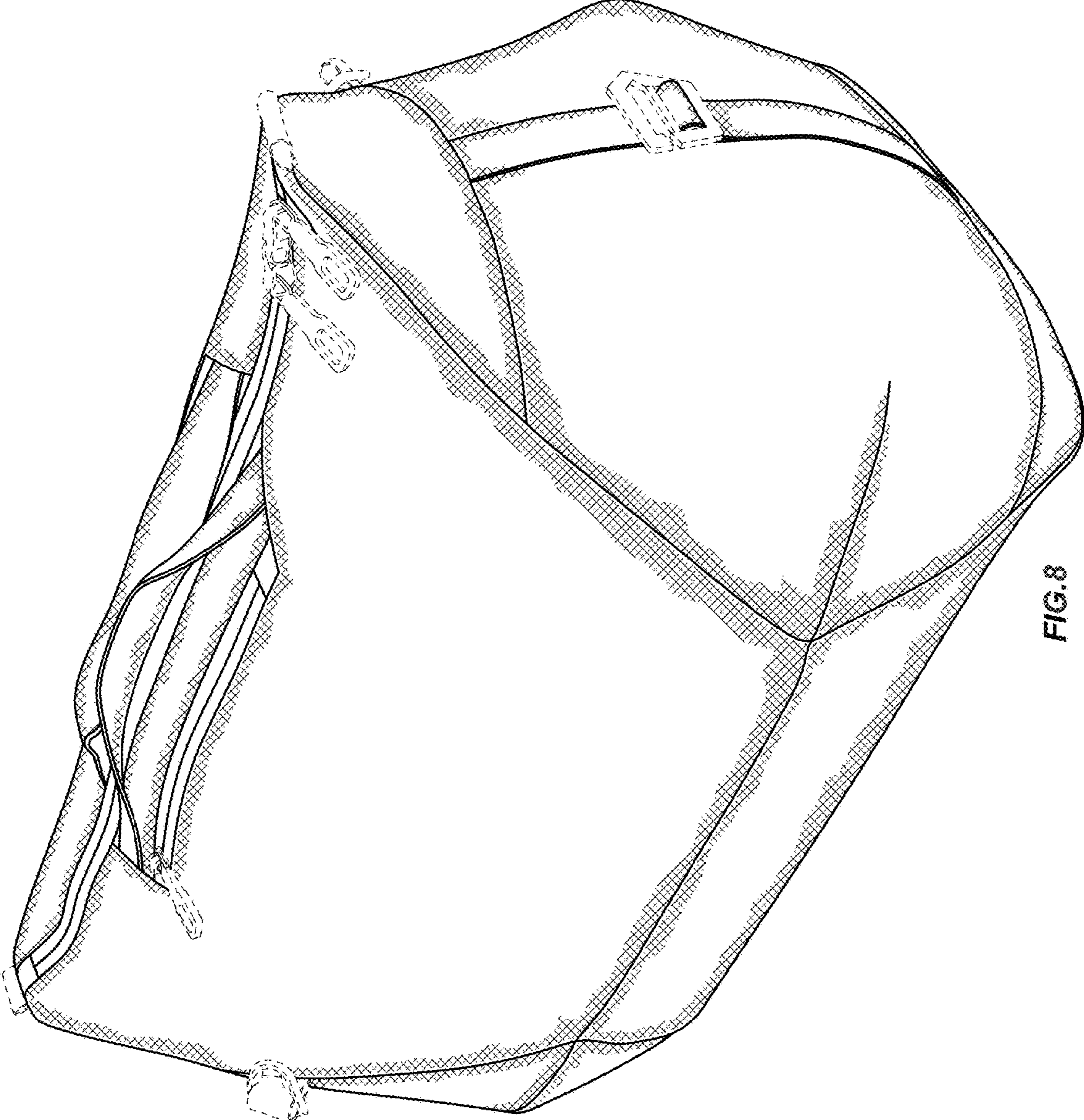


FIG. 8

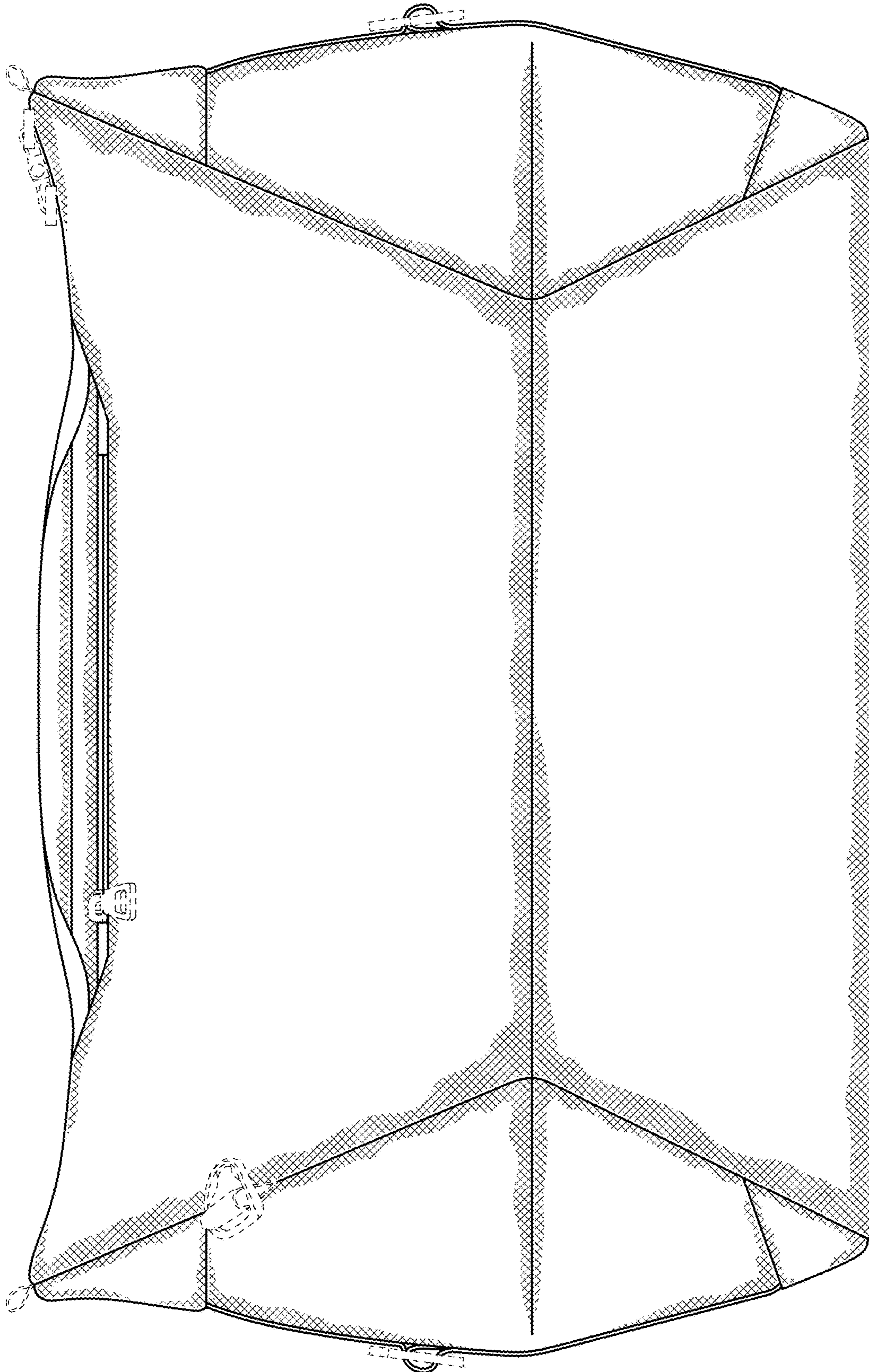


FIG. 9

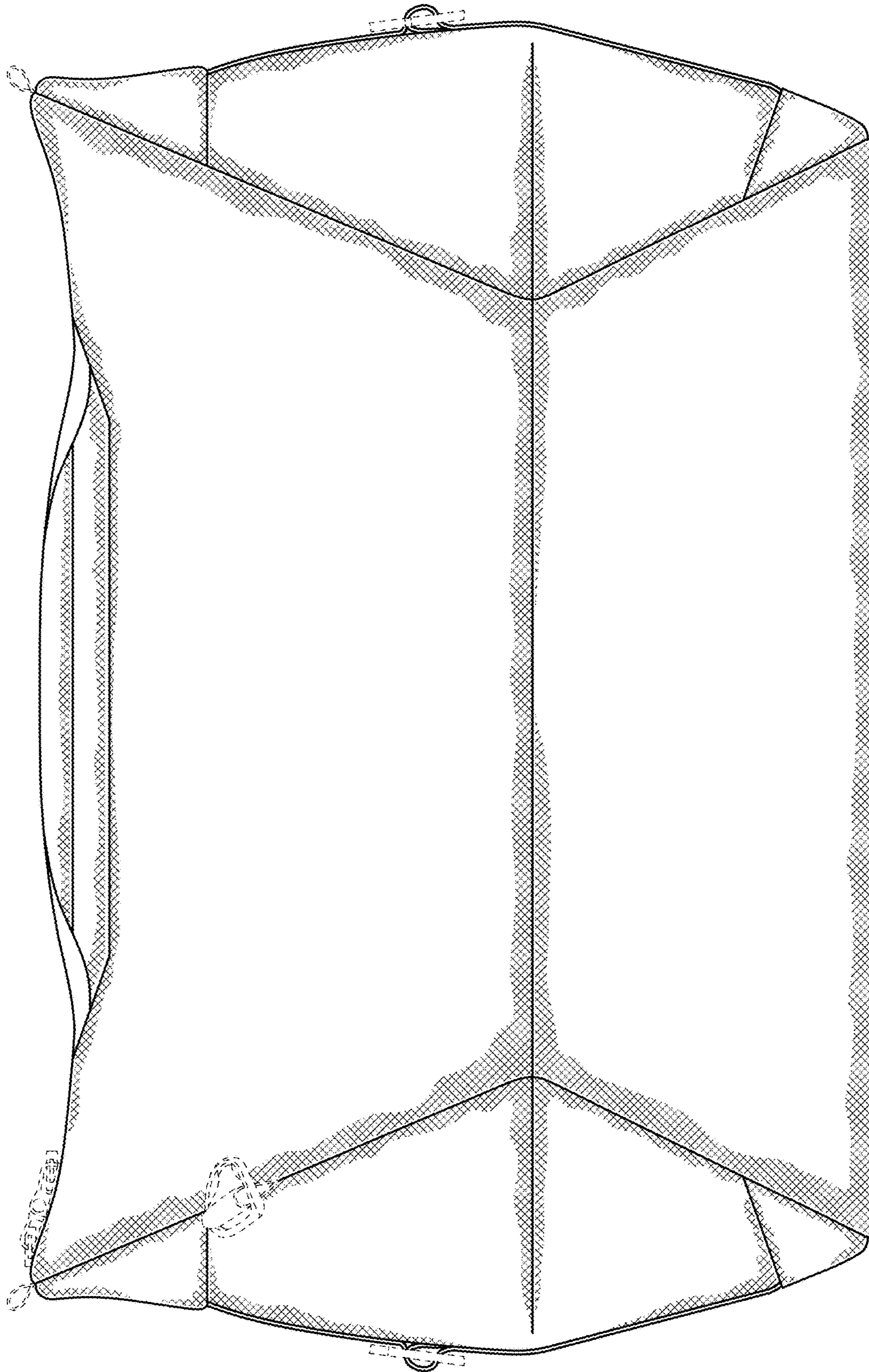


FIG. 10

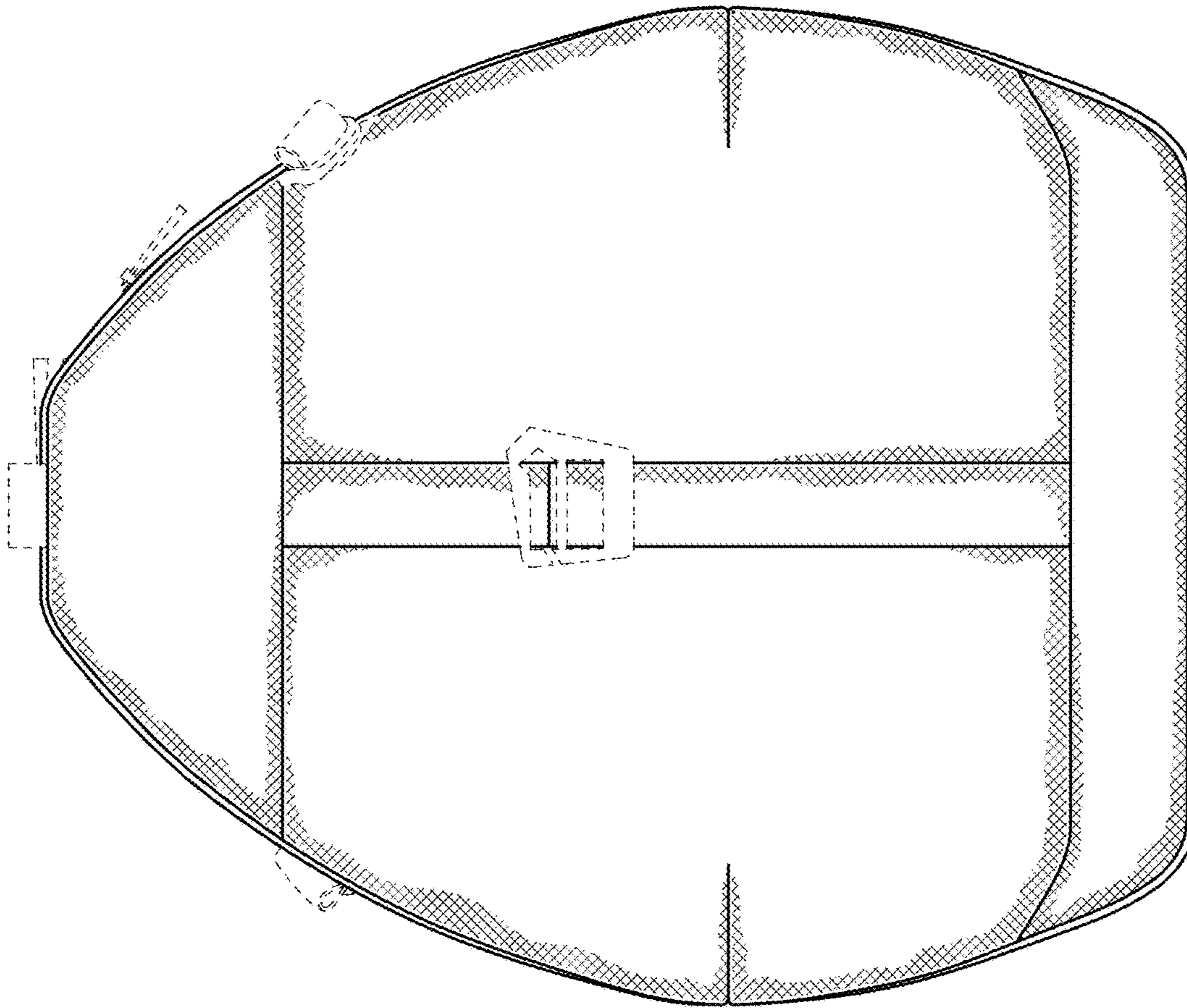


FIG.11

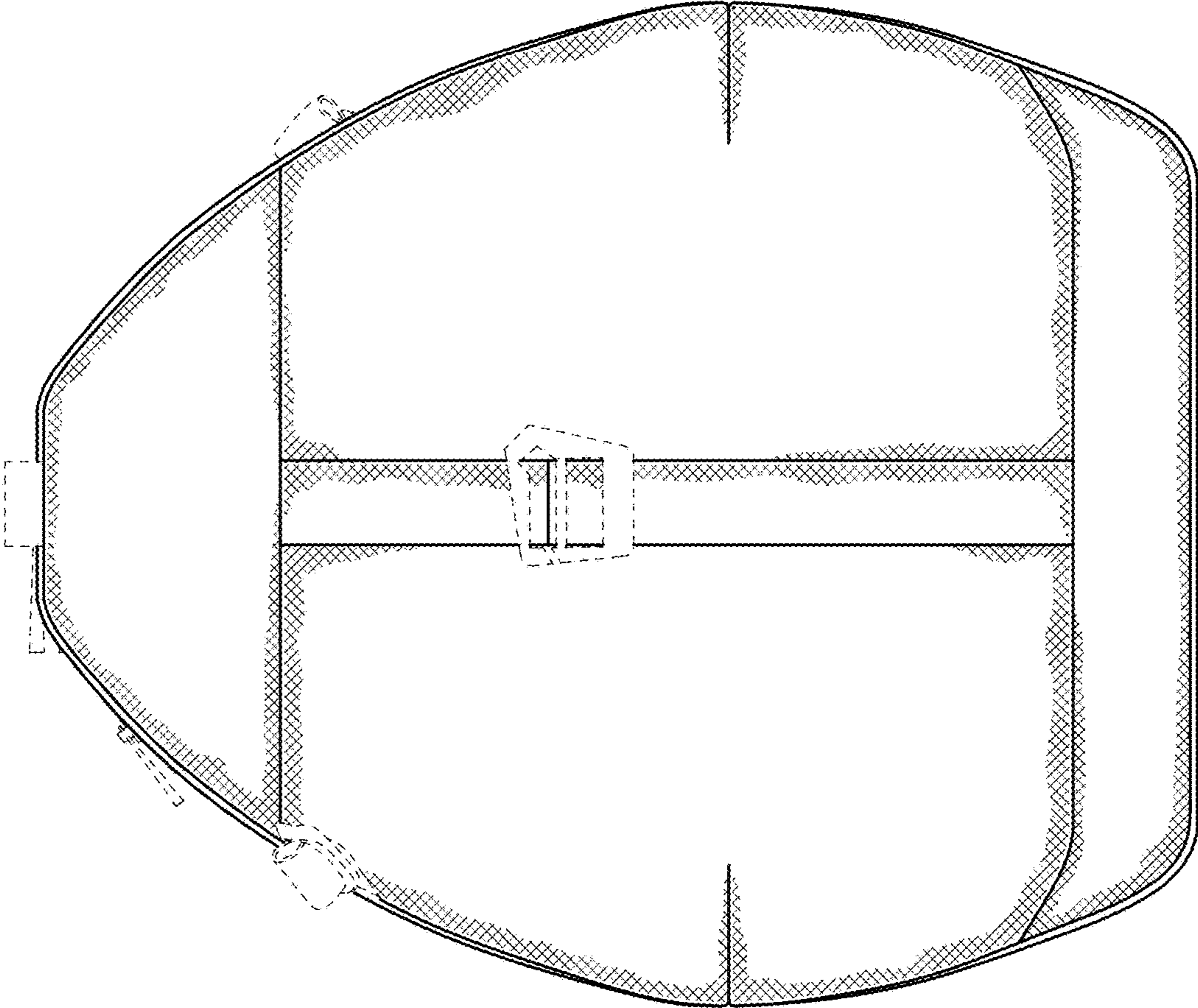


FIG.12

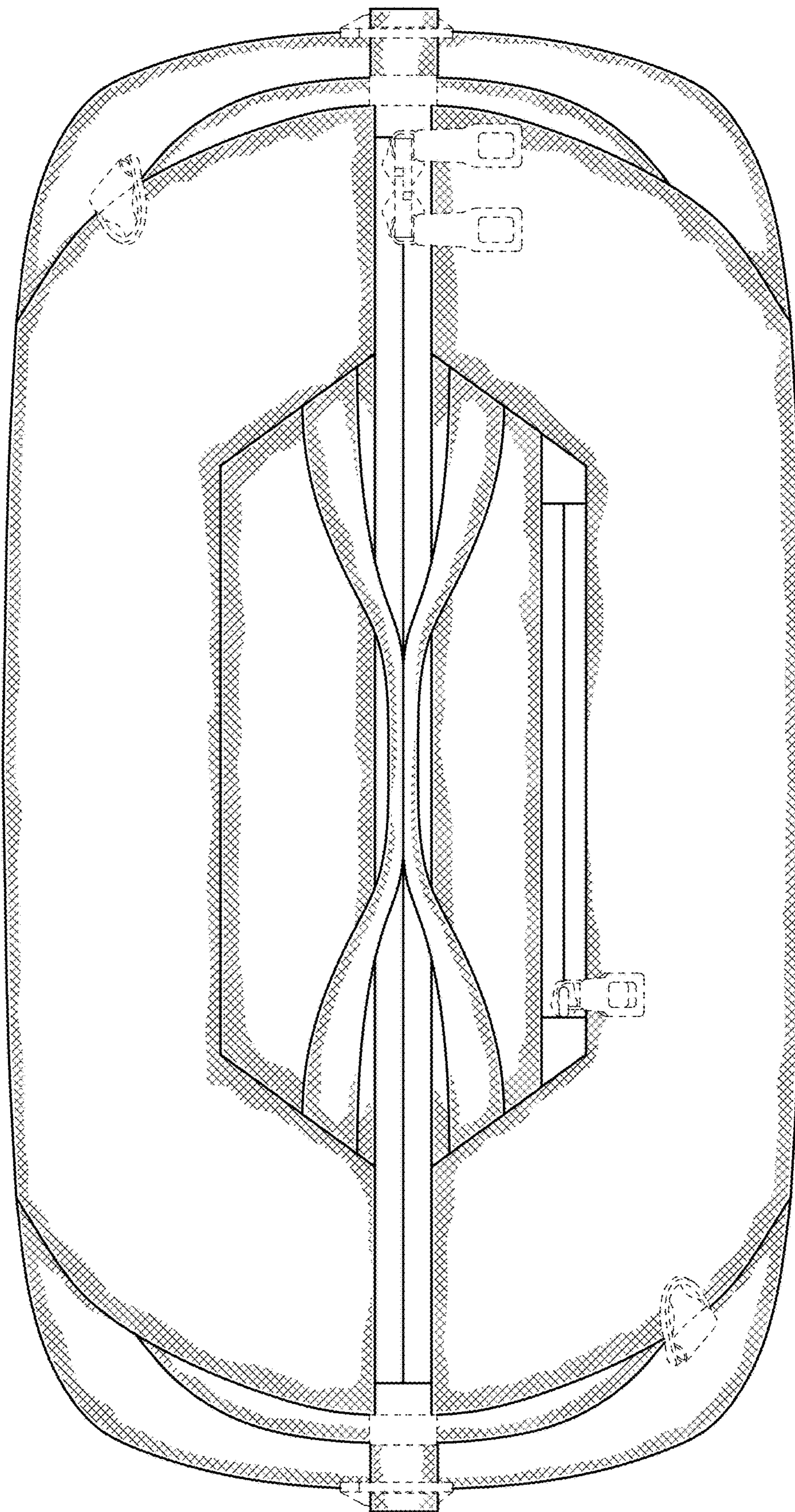


FIG.13

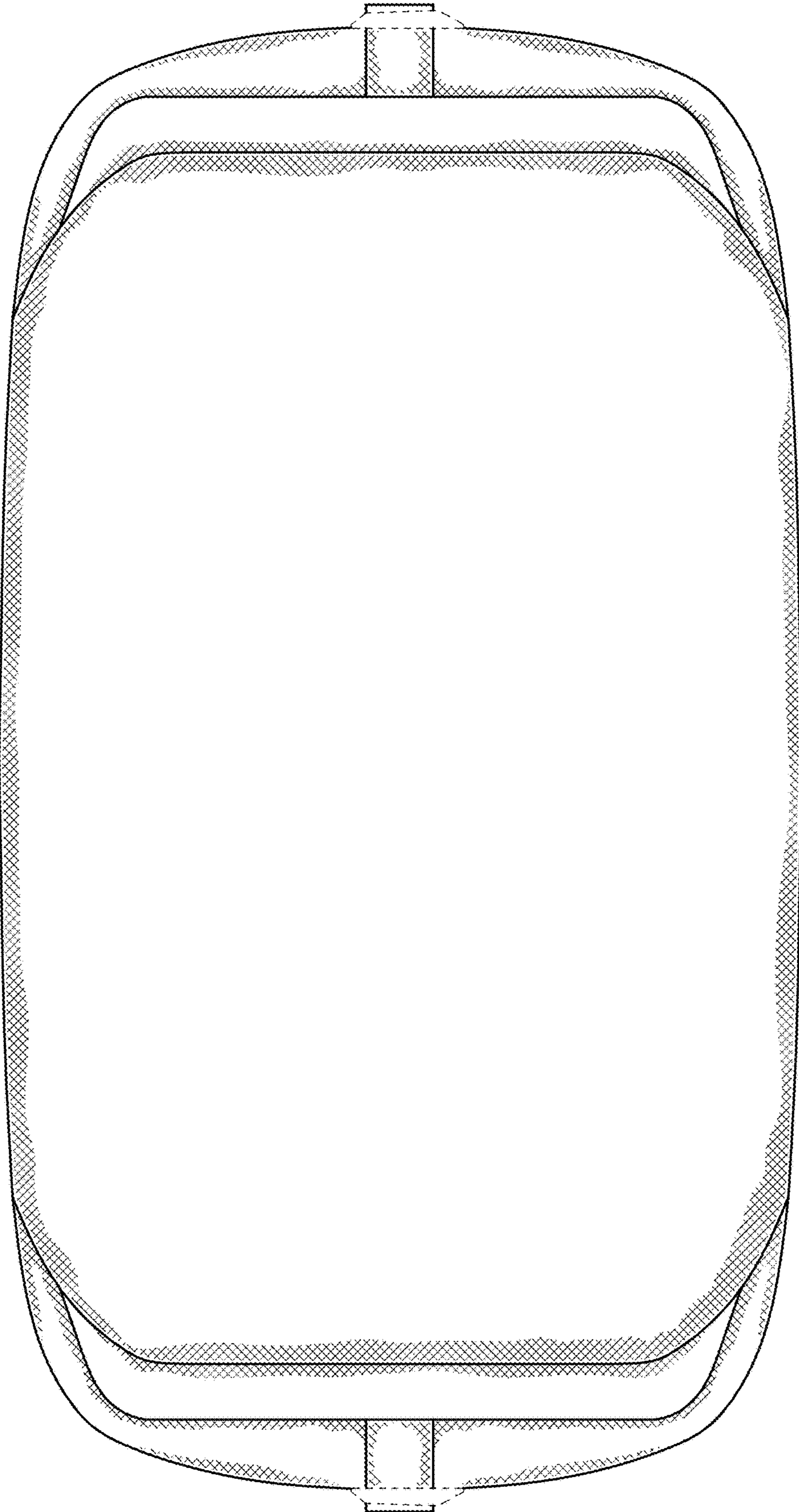


FIG.14