



US00D850783S

(12) **United States Design Patent**
Mohamed

(10) **Patent No.:** **US D850,783 S**
(45) **Date of Patent:** **** Jun. 11, 2019**

(54) **CASE FOR MENSTRUAL PRODUCT**

(71) Applicant: **Edgewell Personal Care Brands, LLC., Chesterfield, MO (US)**

(72) Inventor: **Hassan Mohamed, Ridgewood, NJ (US)**

(73) Assignee: **Edgewell Personal Care Brands, LLC., Chesterfield, MO (US)**

(**) Term: **15 Years**

(21) Appl. No.: **29/646,886**

(22) Filed: **May 8, 2018**

(51) **LOC (11) Cl.** **03-01**

(52) **U.S. Cl.**
USPC **D3/203.5**

(58) **Field of Classification Search**
USPC D3/201, 203.1, 203.2, 203.5, 202, 266,
D3/273, 294; D9/529, 414, 420, 428
CPC .. A61F 13/266; A61F 13/34; A61F 13/55185;
B65D 39/0005; B65D 43/14
See application file for complete search history.

(56) **References Cited**

U.S. PATENT DOCUMENTS

D139,383 S *	11/1944	Lampl et al.	D24/224
3,058,469 A *	10/1962	Crockford	A61F 13/55175 604/363
3,086,527 A *	4/1963	Forrest	A61B 10/00 600/573
3,800,781 A *	4/1974	Zalucki	A61B 10/02 600/562
D276,571 S *	12/1984	Fairchild	224/240
D284,421 S *	7/1986	Siris	D3/229
D292,372 S *	10/1987	Sykes	D3/203.2
D306,408 S *	3/1990	Umbeck	D9/428
D308,475 S *	6/1990	Gastwirt	D9/529
D341,227 S *	11/1993	Lang	D28/76
D390,697 S *	2/1998	Lyons	D3/201

D408,626 S *	4/1999	Lage	D3/203.5
D421,840 S *	3/2000	Demore	D3/273
D427,424 S *	7/2000	Conway	D3/203.5
D427,427 S *	7/2000	Davis	D3/203.5
D432,784 S *	10/2000	Conway	D3/203.5
D448,153 S *	9/2001	Schoenfeld	D3/201
D498,584 S *	11/2004	DiMarchi	D3/203.2
D499,653 S *	12/2004	Karim	D19/901
D524,037 S *	7/2006	Van Horn	D3/203.1
7,073,666 B2 *	7/2006	Arndt	A61F 13/55185 206/438
D550,959 S *	9/2007	Miller	D3/294
7,314,135 B1 *	1/2008	Drotar	A45C 11/008 206/459.1
D561,461 S *	2/2008	Smetham	D3/203.1
D564,363 S *	3/2008	Rhea	D9/734

(Continued)

FOREIGN PATENT DOCUMENTS

WO 2017/223500 12/2017
Primary Examiner — John Windmuller
Assistant Examiner — Steven J Czyz

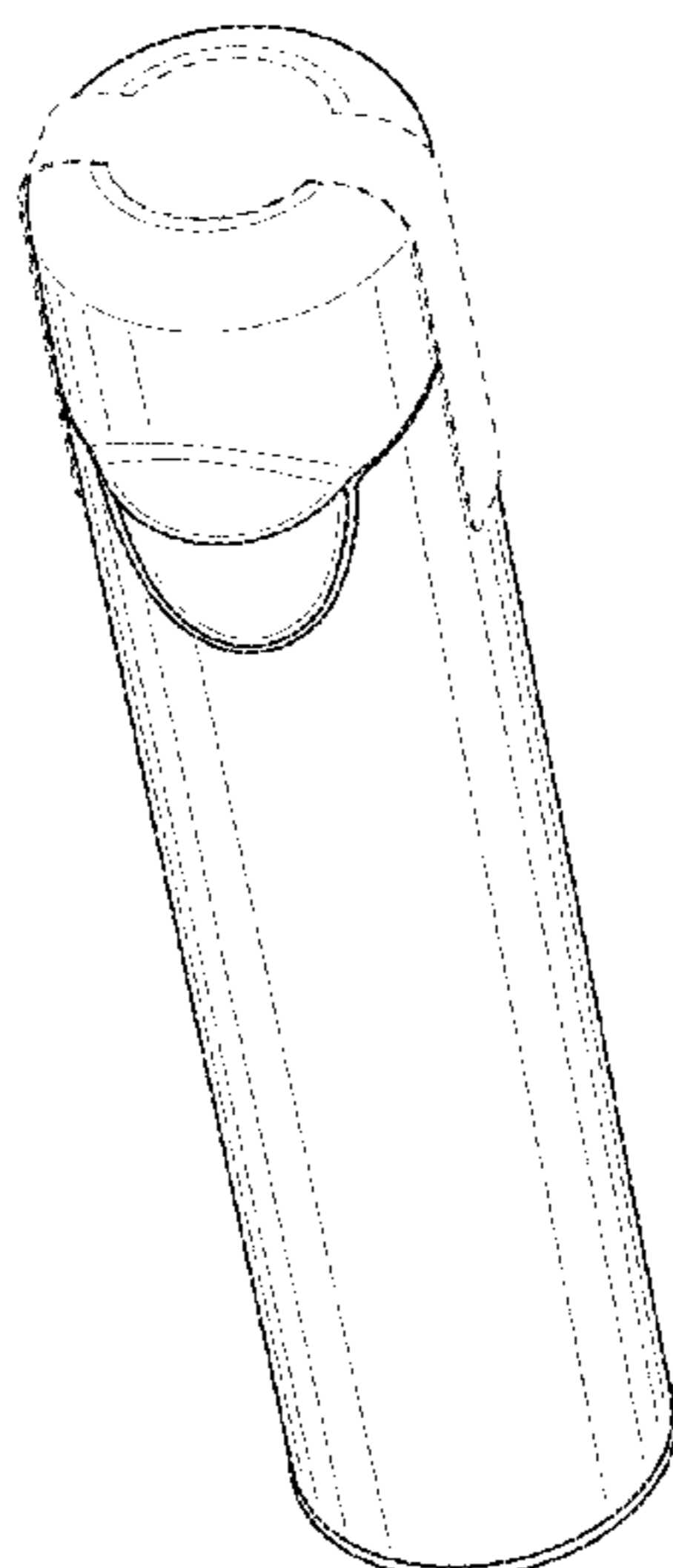
(57) **CLAIM**

I claim the ornamental design for a case for menstrual product, as shown and described.

DESCRIPTION

FIG. 1 is a front perspective view of a case for menstrual product;
FIG. 2 is a rear perspective view thereof;
FIG. 3 is a front view thereof;
FIG. 4 is a rear view thereof;
FIG. 5 is a left side view thereof;
FIG. 6 is a right side view thereof;
FIG. 7 is a top view thereof; and,
FIG. 8 is a bottom view thereof.
The broken lines depict portions of the article that form no part of the claimed design.

1 Claim, 4 Drawing Sheets



(56)

References Cited

U.S. PATENT DOCUMENTS

D598,738 S *	8/2009	Supranowicz	D9/420	9,421,135 B2 *	8/2016	LeMay	A61F 13/26
D599,670 S *	9/2009	Qin	D9/529	D772,409 S *	11/2016	Buell	D24/141
D619,478 S *	7/2010	Drewnowski	D9/707	D787,673 S *	5/2017	Buell	D24/141
7,963,934 B2 *	6/2011	Morrow	A61F 13/26 206/438	D808,791 S *	1/2018	Johnston	D9/420
D644,424 S *	9/2011	Paboojian	D3/203.1	D816,839 S *	5/2018	Buell	D24/141
D658,362 S *	5/2012	Nassiri	D3/203.2	D817,490 S *	5/2018	Buell	D24/141
D660,591 S *	5/2012	Okulla	D3/255	D819,206 S *	5/2018	Buell	D24/141
D677,047 S *	3/2013	Watson	D3/203.5	D819,813 S *	6/2018	Buell	D24/141
D689,361 S *	9/2013	Wada	D9/420	D819,814 S *	6/2018	Buell	D24/141
D694,100 S *	11/2013	Schneider	D24/224	D828,011 S *	9/2018	O'Brien	D3/203.1
D698,266 S *	1/2014	Downs	D9/524	D829,905 S *	10/2018	Buell	D24/141
8,654,734 B2	2/2014	Chandrasekhar			10,098,793 B2 *	10/2018	Schoelling	A61F 13/2051
D728,216 S *	5/2015	Click	D3/203.5	10,105,267 B2 *	10/2018	Edgett	A61F 13/266
D728,217 S *	5/2015	Click	D3/203.5	D839,745 S *	2/2019	Rehman	D9/529
D744,826 S *	12/2015	Giraud	D9/420	D840,145 S *	2/2019	Lucciola	D3/203.1
D749,420 S *	2/2016	Kahlau	D9/420	D841,161 S *	2/2019	Buell	D24/141
D752,970 S *	4/2016	Giraud	D9/420	2005/0109663 A1 *	5/2005	Krey	B65D 81/02 206/581
D760,489 S *	7/2016	De La Torre	D3/203.1	2010/0076393 A1 *	3/2010	Wasson	A61F 13/34 604/385.02
D760,490 S *	7/2016	Johnson	D24/224	2016/0136007 A1 *	5/2016	Buell	A61F 13/34 604/16
					2017/0128286 A1	5/2017	Buell et al.		

* cited by examiner

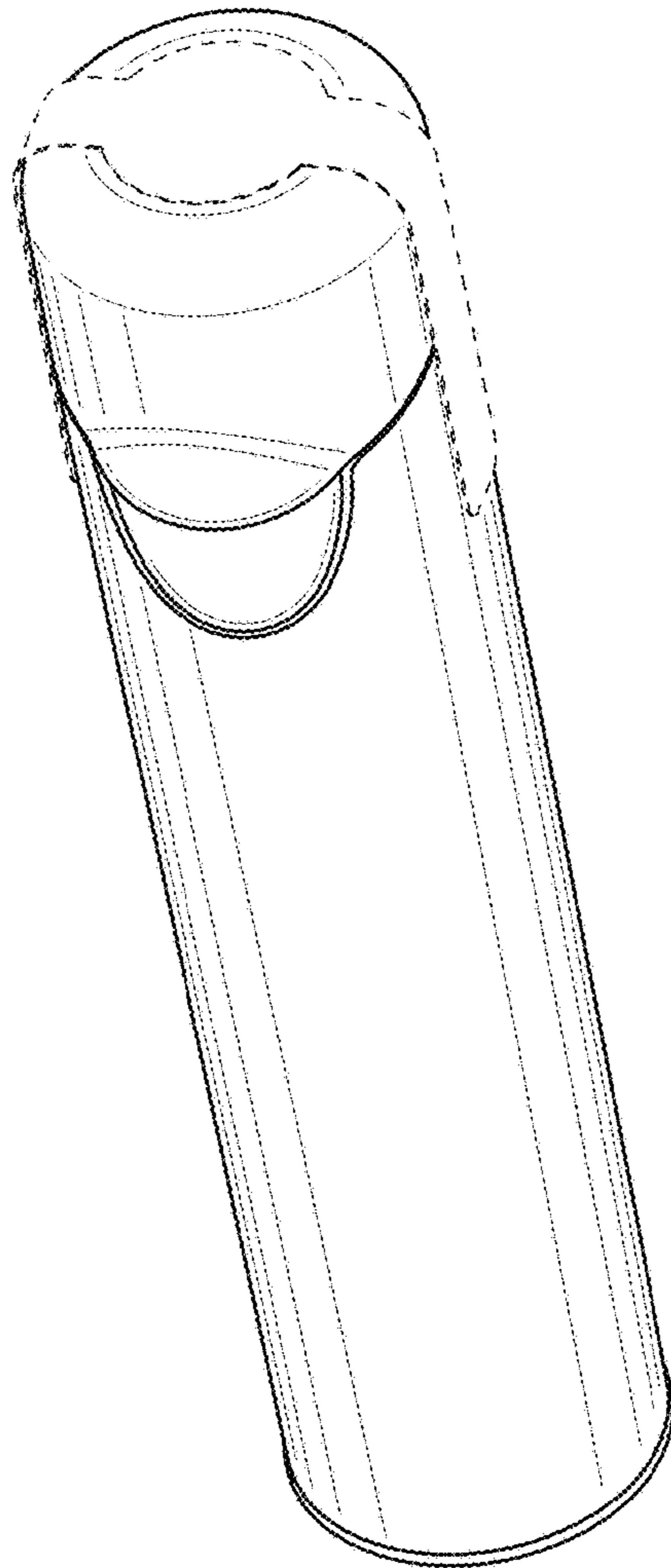


FIG. 1

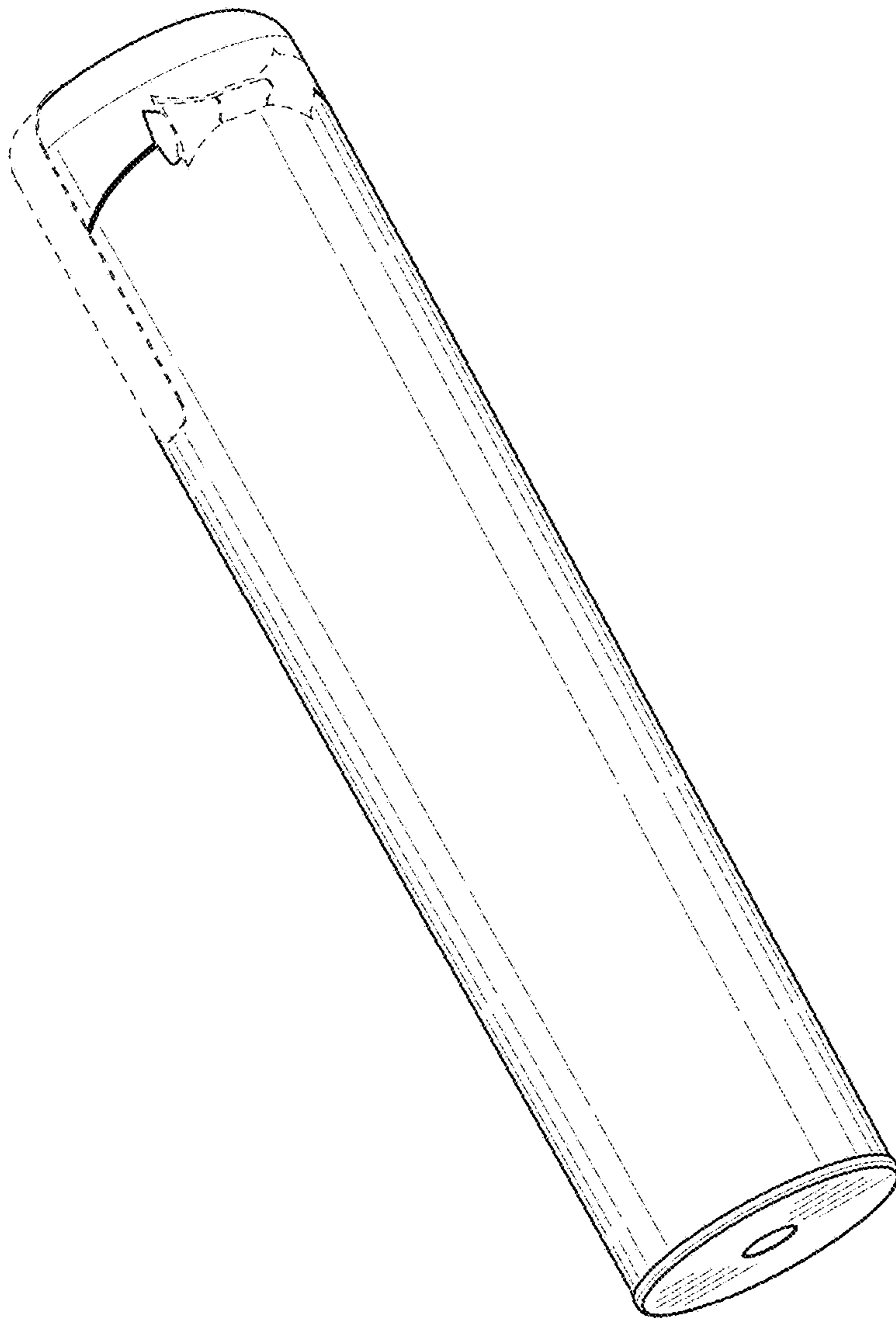


FIG. 2

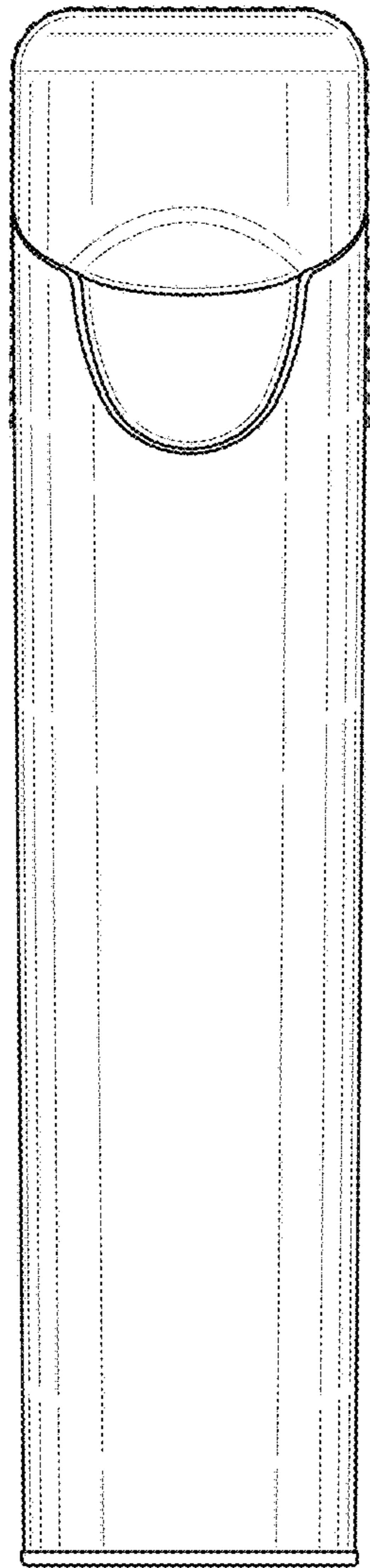


FIG. 3

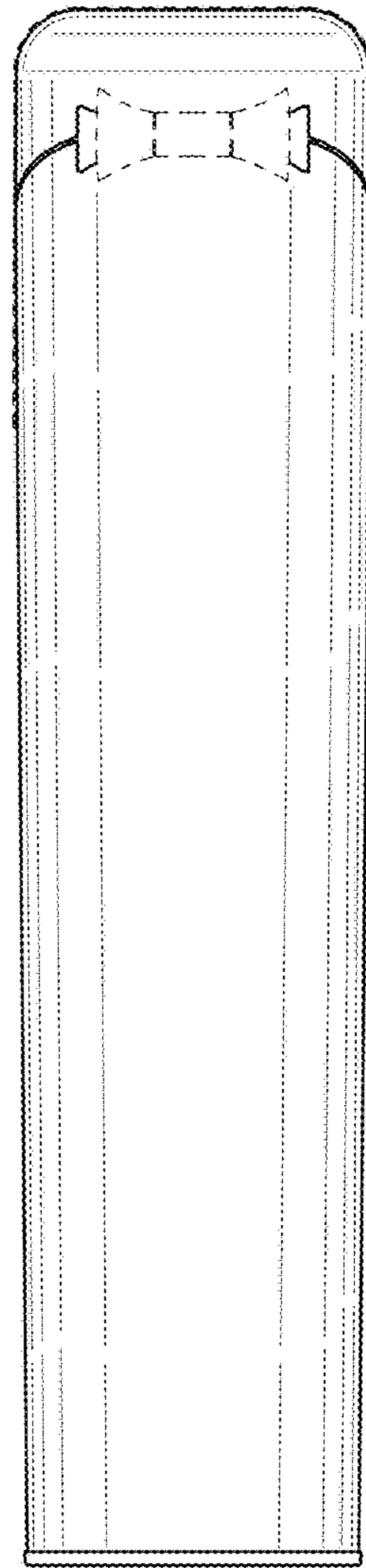


FIG. 4

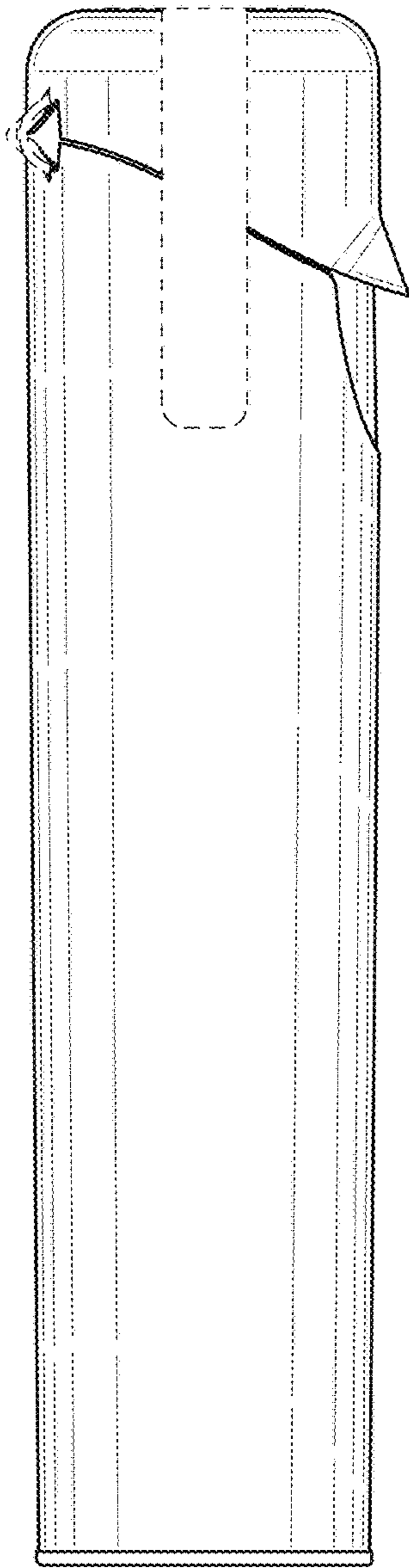


FIG. 5

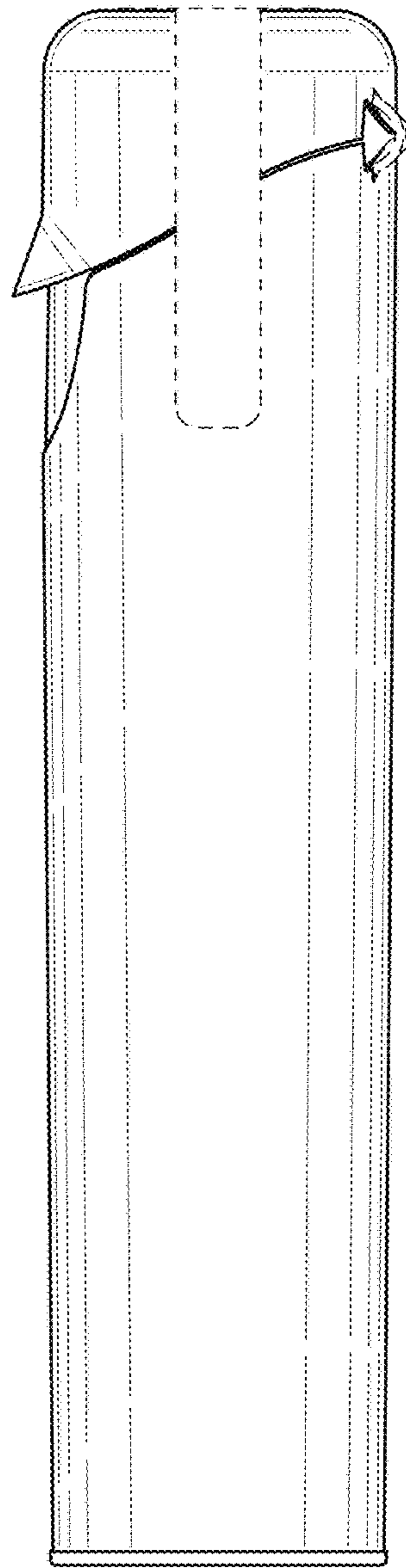


FIG. 6

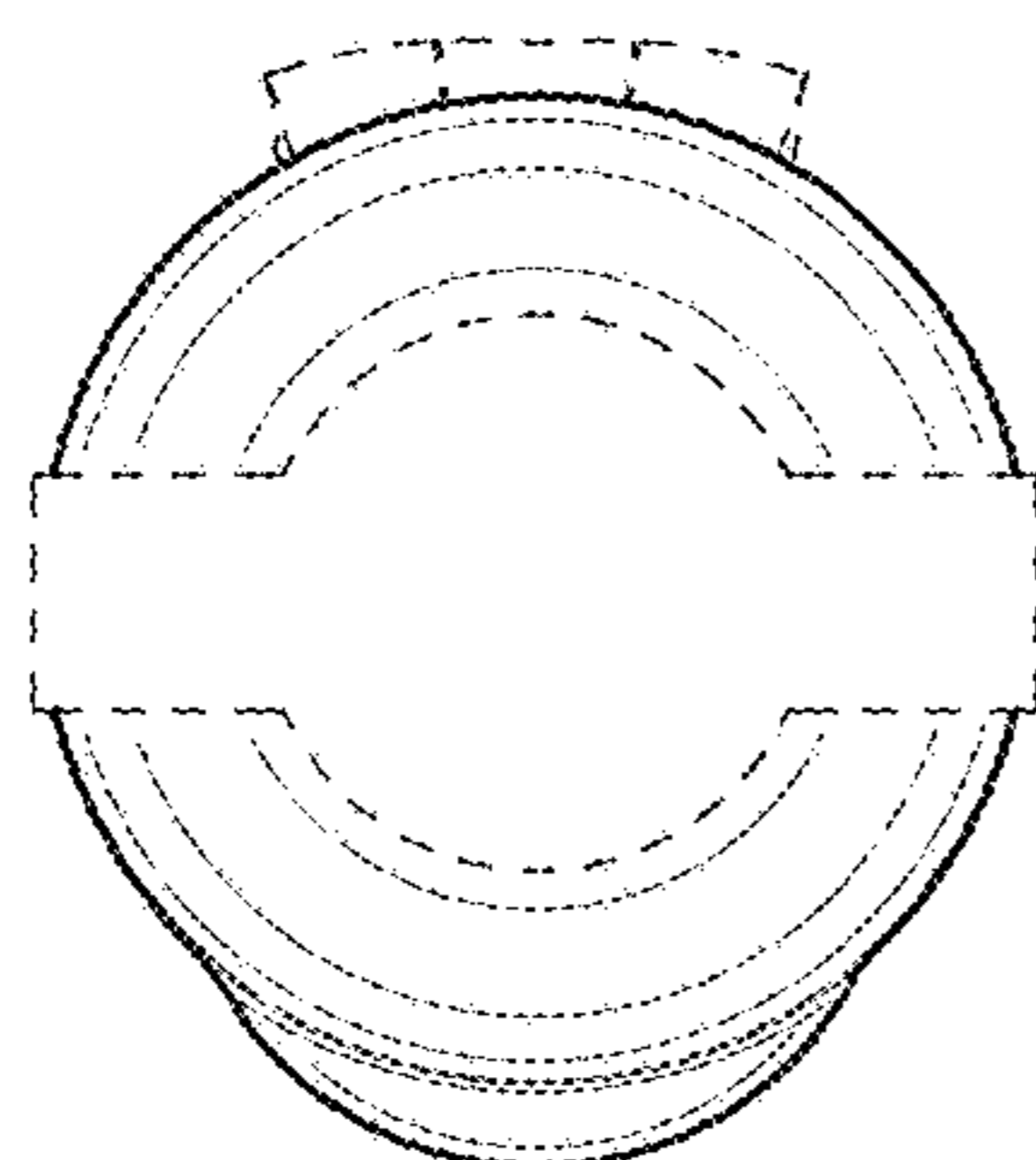


FIG. 7

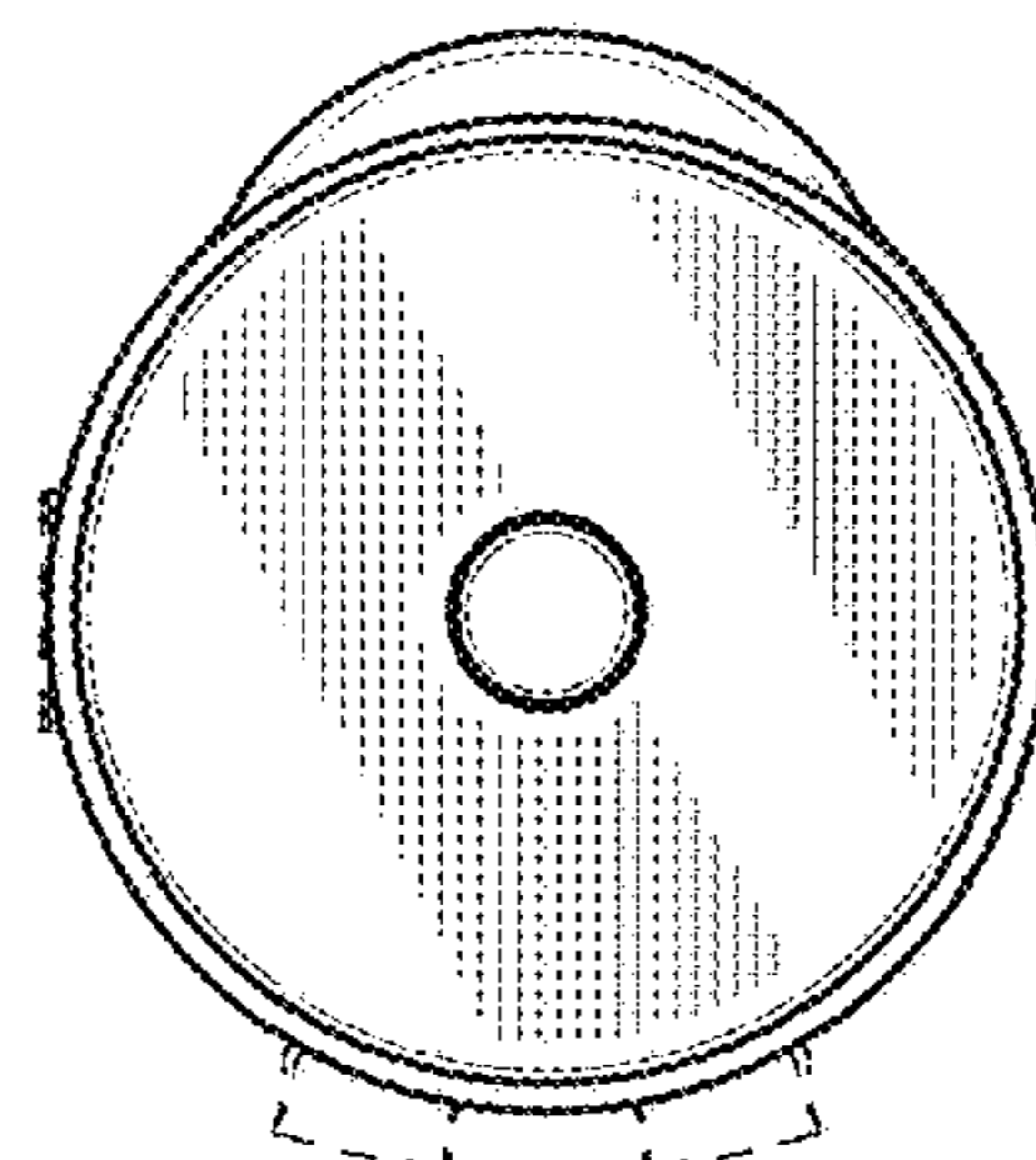


FIG. 8