



US00D850782S

(12) **United States Design Patent**  
**Lee et al.**

(10) **Patent No.:** **US D850,782 S**  
(45) **Date of Patent:** **\*\* Jun. 11, 2019**

- (54) **PILL BOX**
- (71) Applicant: **E-LINK PLASTIC & METAL INDUSTRIAL CO., LTD.**, New Taipei (TW)
- (72) Inventors: **Cheng-Hua Lee**, New Taipei (TW);  
**Chien-Chen Liu**, New Taipei (TW)
- (73) Assignee: **E-LINK PLASTIC & METAL INDUSTRIAL CO., LTD.**, New Taipei (TW)
- (\*\*) Term: **15 Years**
- (21) Appl. No.: **29/671,660**
- (22) Filed: **Nov. 29, 2018**
- (51) **LOC (11) Cl.** ..... **03-03**
- (52) **U.S. Cl.**  
USPC ..... **D3/203.3**
- (58) **Field of Classification Search**  
USPC ..... D3/201, 203.1–203.8; D9/420, 421, 757, D9/759  
CPC .... B65D 75/372; B65D 83/0481; B65D 1/36; B65D 83/04; B65D 83/0445; B65D 2583/04; A61J 7/04; A61J 1/03  
See application file for complete search history.

- 5,213,213 A \* 5/1993 Bunin ..... A61J 1/03 206/535
- D337,725 S \* 7/1993 Bunin ..... D3/203.3
- D415,958 S \* 11/1999 Noble ..... D3/203.3
- 6,000,546 A \* 12/1999 Noble ..... A61J 1/03 206/1.5
- D418,288 S \* 1/2000 Priebe ..... D3/201
- D430,392 S \* 9/2000 Noble ..... D3/201
- D457,819 S \* 5/2002 Noble ..... D10/40
- D466,801 S \* 12/2002 Holland ..... D3/203.3
- D522,742 S \* 6/2006 Priebe ..... D3/203.3
- D528,782 S \* 9/2006 Oas ..... D3/203.3
- 7,387,207 B2 \* 6/2008 Priebe ..... A61J 1/03 206/532
- D587,005 S \* 2/2009 Gardner ..... D3/203.3
- 7,494,012 B1 \* 2/2009 Priebe ..... A61J 1/03 206/1.5
- 7,798,330 B2 \* 9/2010 Noble ..... B65D 83/04 206/1.5
- 8,381,911 B2 \* 2/2013 Buchner ..... B65D 83/04 206/530
- D684,355 S \* 6/2013 Priebe ..... D3/203.3
- D691,366 S \* 10/2013 Muncy ..... D3/203.3

(Continued)

*Primary Examiner* — John Windmuller  
*Assistant Examiner* — Steven J Czyz  
(74) *Attorney, Agent, or Firm* — Chun-Ming Shih

(57) **CLAIM**

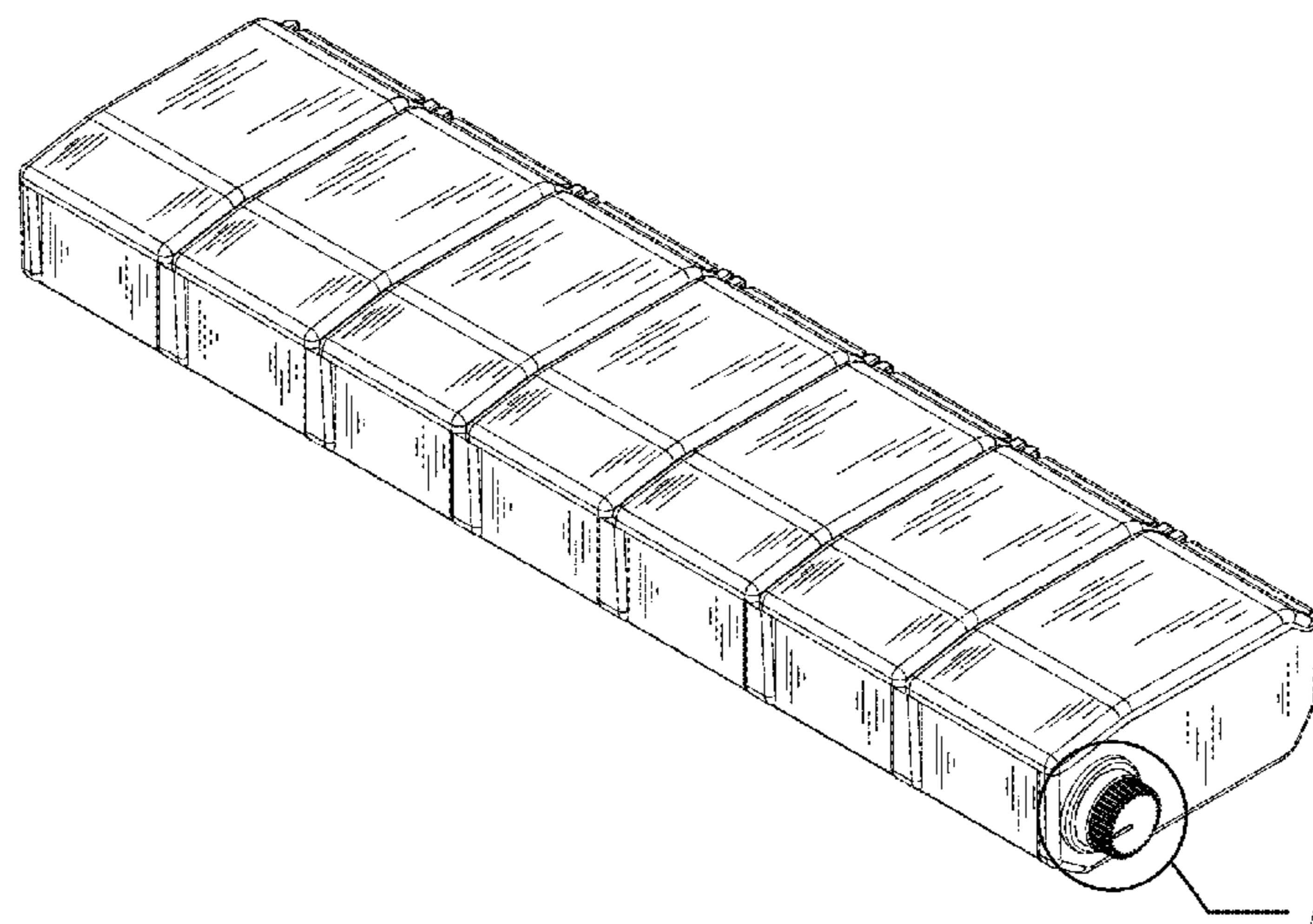
The ornamental design for a pill box, as shown and described.

**DESCRIPTION**

FIG. 1 is a perspective view of a pill box;  
FIG. 2 is a front view of the pill box;  
FIG. 3 is a rear view of the pill box;  
FIG. 4 is a left side view of the pill box;  
FIG. 5 is a right side view of the pill box;  
FIG. 6 is a top plan view of the pill box;  
FIG. 7 is a bottom plan view of the pill box; and,  
FIG. 8 is an enlarged view of a portion of the pill box.

**1 Claim, 5 Drawing Sheets**

- (56) **References Cited**  
U.S. PATENT DOCUMENTS
- D227,552 S \* 7/1973 Bridges ..... D3/203.3
- D271,081 S \* 10/1983 Noble ..... D3/203.3
- D281,225 S \* 11/1985 Leman ..... D3/203.3
- 4,735,318 A \* 4/1988 Keffeler ..... A61J 1/03 206/532
- D298,803 S \* 12/1988 Ebling ..... D3/203.3
- 4,793,492 A \* 12/1988 Halbich ..... A45C 11/24 206/538
- D304,905 S \* 12/1989 Zimmerman ..... D3/203.3



(56)

**References Cited**

U.S. PATENT DOCUMENTS

D695,512	S	*	12/2013	Priebe	.....	D3/203.3
D696,008	S	*	12/2013	Priebe	.....	D3/203.3
D696,010	S	*	12/2013	Priebe	.....	D3/203.3
D696,856	S	*	1/2014	Priebe	.....	D3/203.3
D697,303	S	*	1/2014	Priebe	.....	D3/203.3
D698,141	S	*	1/2014	Priebe	.....	D3/203.3
D698,540	S	*	2/2014	Priebe	.....	D3/203.3
D709,282	S	*	7/2014	Priebe	.....	D3/203.3
D747,869	S	*	1/2016	Priebe	.....	D3/203.3
D775,462	S	*	1/2017	Noble	.....	D3/203.3
D812,368	S	*	3/2018	Noble	.....	D3/203.3
D828,012	S	*	9/2018	Suess	.....	D3/203.3
D831,331	S	*	10/2018	Lee	.....	D3/203.3
D833,733	S	*	11/2018	Chen	.....	D3/203.3

\* cited by examiner

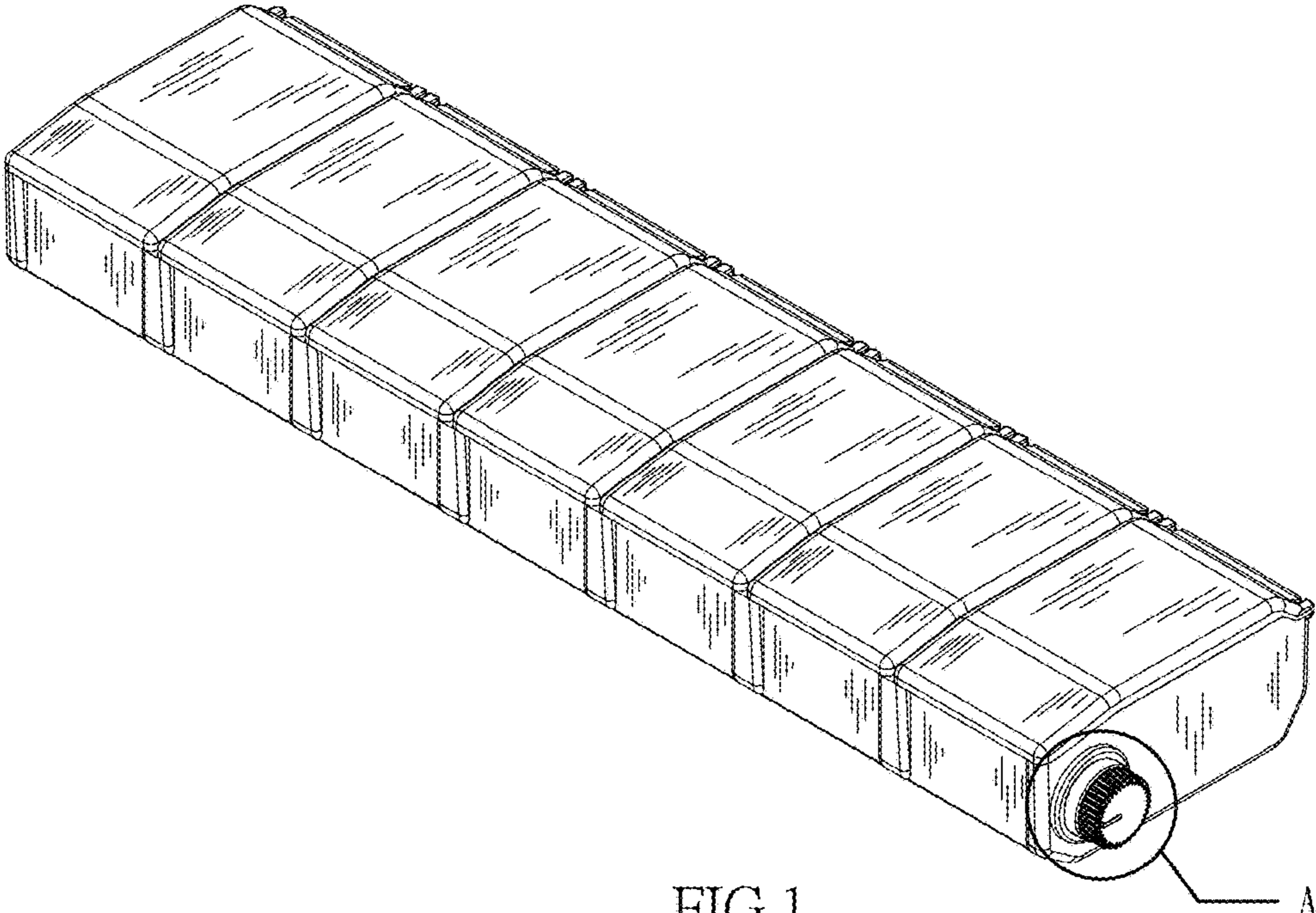


FIG. 1

A

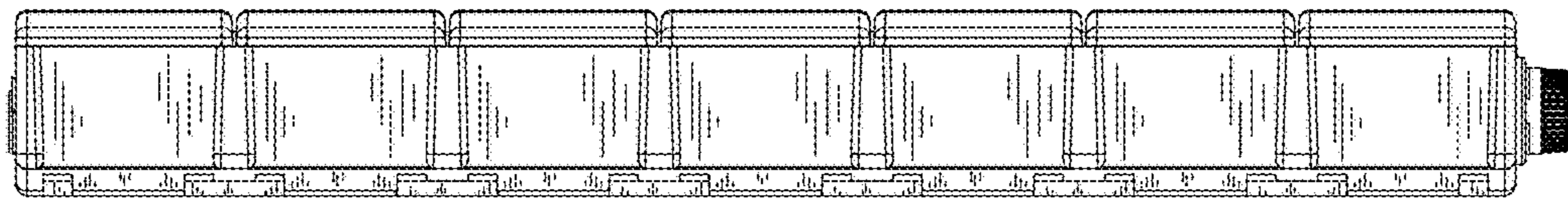


FIG.2

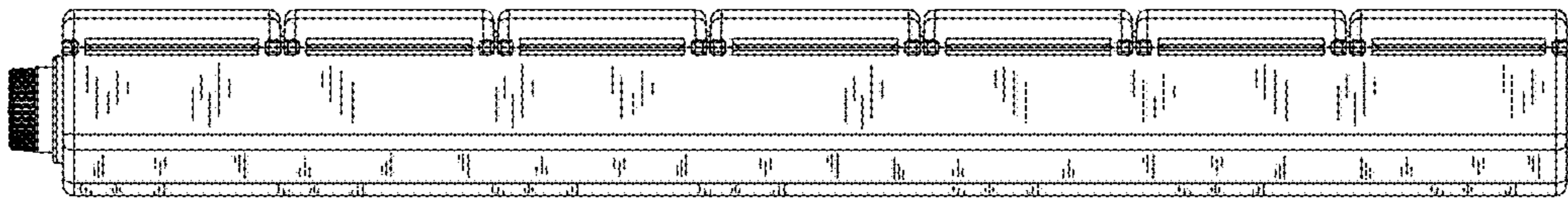


FIG.3

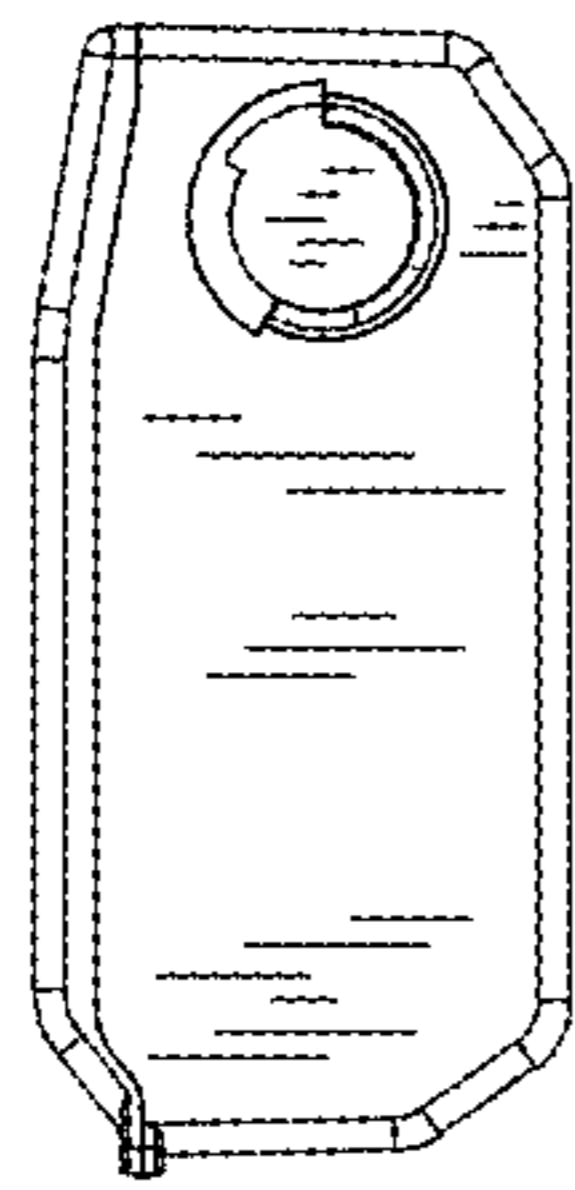


FIG. 4

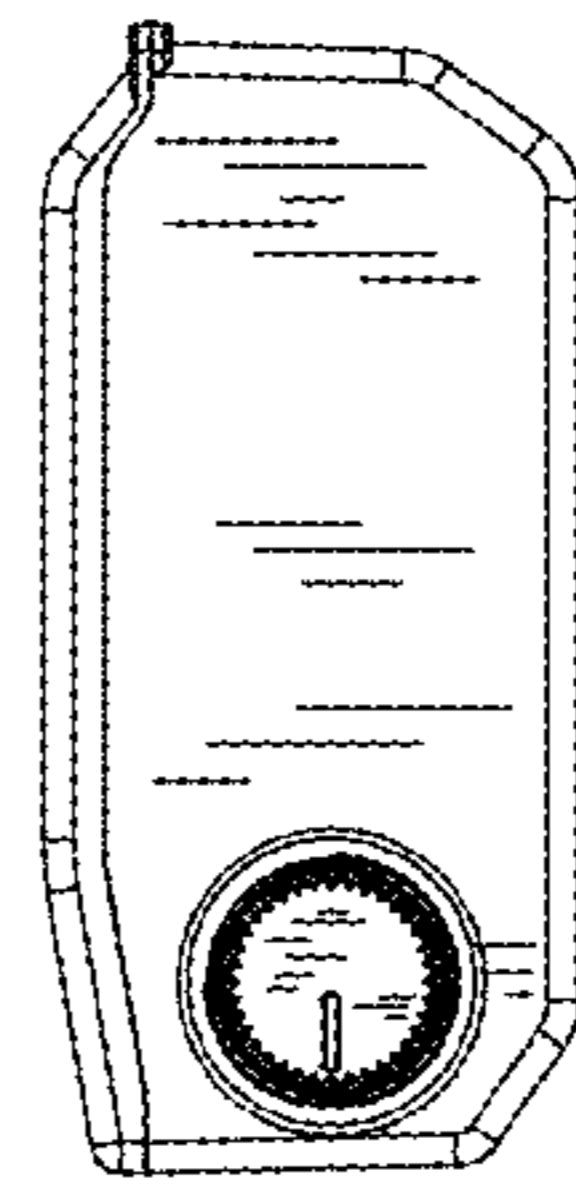


FIG. 5

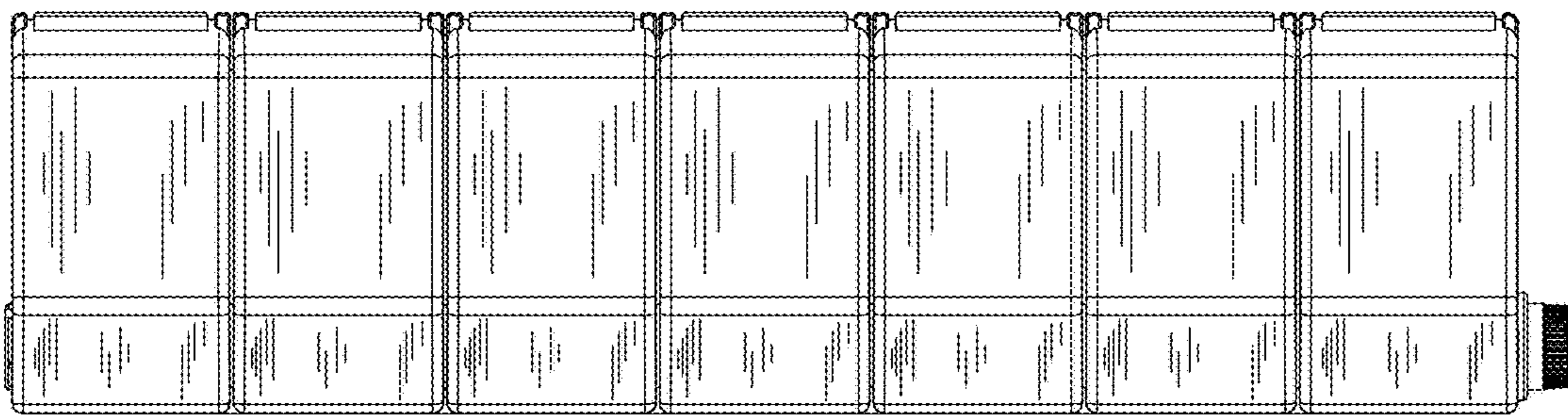


FIG.6

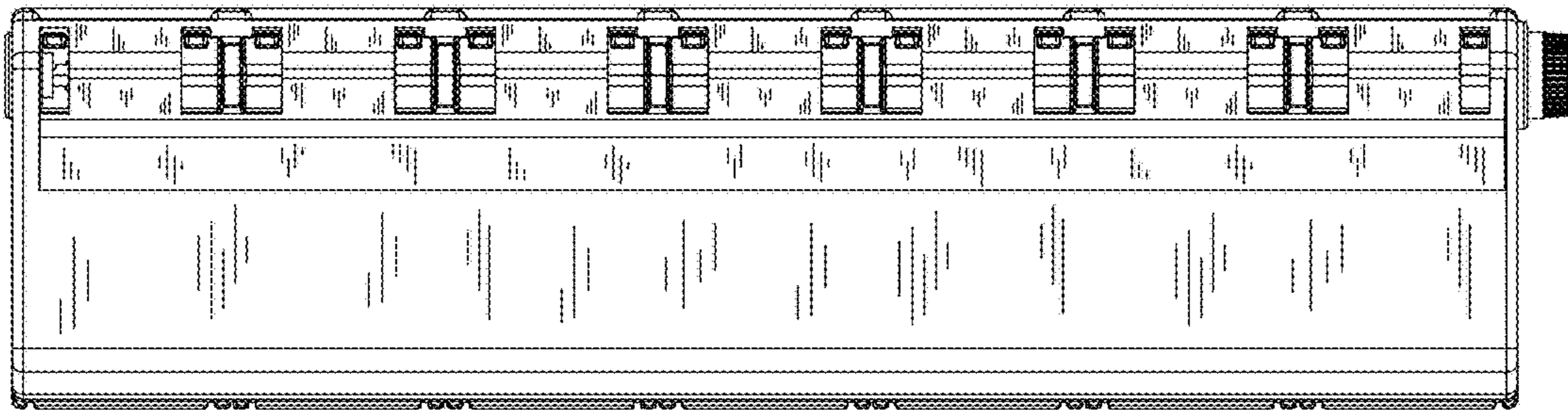


FIG.7

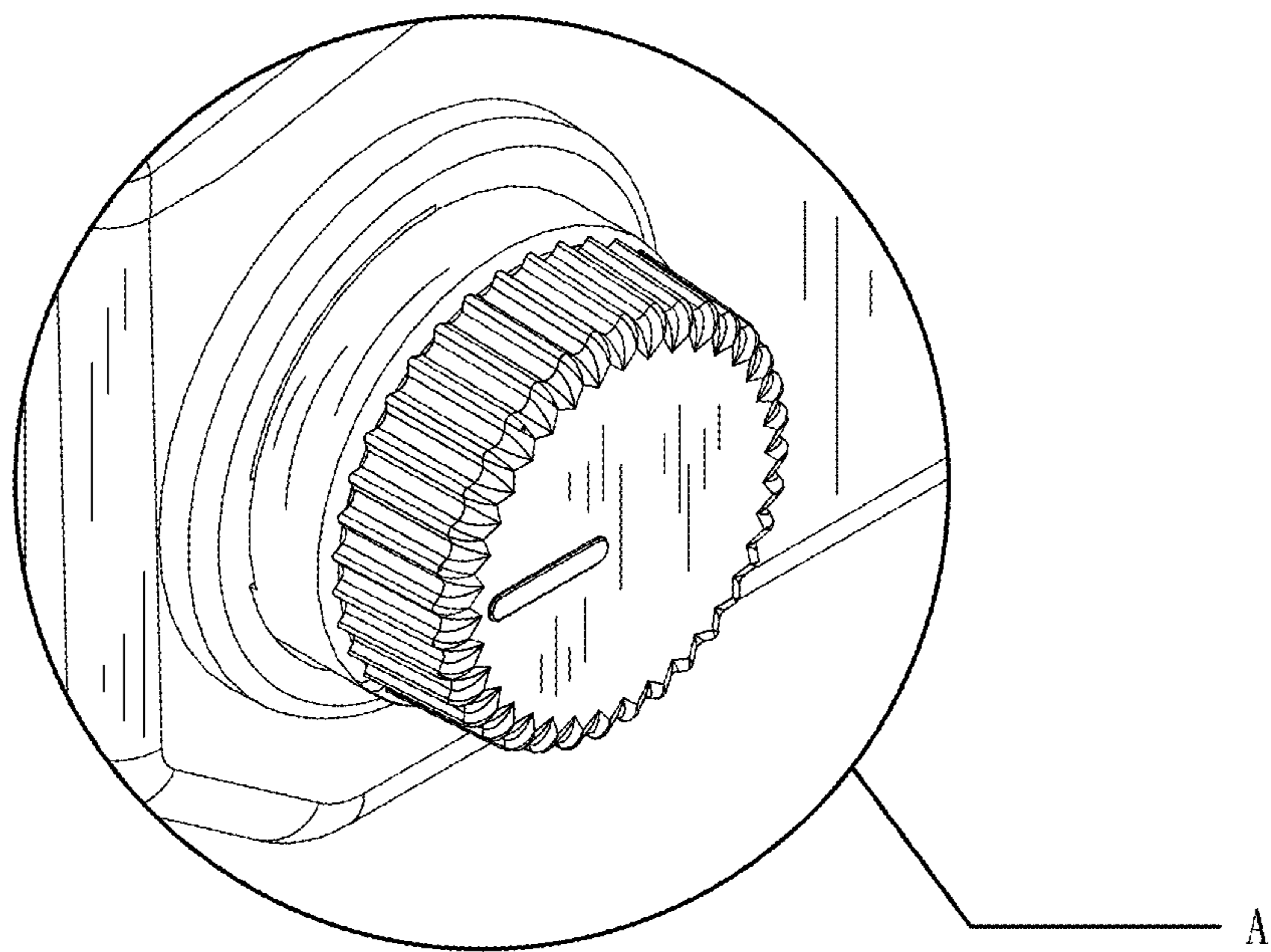


FIG. 8