



US00D850780S

(12) **United States Design Patent** (10) **Patent No.:** **US D850,780 S**
Bird (45) **Date of Patent:** **** Jun. 11, 2019**

- (54) **UMBRELLA HOLDER**
- (71) Applicant: **Terraza LLC**, Grand Rapids, MI (US)
- (72) Inventor: **Scott Bird**, Grand Rapids, MI (US)
- (73) Assignee: **Terraza LLC**, Grand Rapids, MI (US)
- (**) Term: **15 Years**
- (21) Appl. No.: **29/648,132**
- (22) Filed: **May 18, 2018**
- (51) **LOC (11) Cl.** **03-03**
- (52) **U.S. Cl.**
USPC **D3/10**
- (58) **Field of Classification Search**
USPC D3/5, 6, 10; D6/681, 681.1, 682, 682.3;
D8/373, 376, 71, 72
CPC .. A45B 25/22; A45B 2200/109; A01K 97/10;
E04H 12/22; E04H 12/2215
See application file for complete search history.

6,474,244 B1 11/2002 Karpinski
 D469,342 S * 1/2003 Metzentine D8/373
 D474,012 S * 5/2003 Beltran D3/10
 D477,906 S * 8/2003 Martin D3/5
 6,898,893 B1 * 5/2005 Mukdaprakorn A01K 97/10
 248/518

(Continued)

FOREIGN PATENT DOCUMENTS

CA 2132079 A1 3/1996
 CN 101176593 A 5/2008

Primary Examiner — John Windmuller
Assistant Examiner — Steven J Czyz
 (74) *Attorney, Agent, or Firm* — Honigman LLP

(57) **CLAIM**

I claim the ornamental design for an umbrella holder, as shown and described.

DESCRIPTION

FIG. 1 is a front left perspective view of an umbrella holder showing our new design;
 FIG. 2 is a rear left perspective view of the umbrella holder shown in FIG. 1;
 FIG. 3 is a front elevation view of the umbrella holder shown in FIG. 1;
 FIG. 4 is a rear elevation view of the umbrella holder shown in FIG. 1;
 FIG. 5 is a right side elevation view of the umbrella holder shown in FIG. 1;
 FIG. 6 is a top plan view of the umbrella holder shown in FIG. 1; and,
 FIG. 7 is a bottom plan view of the umbrella holder shown in FIG. 1.

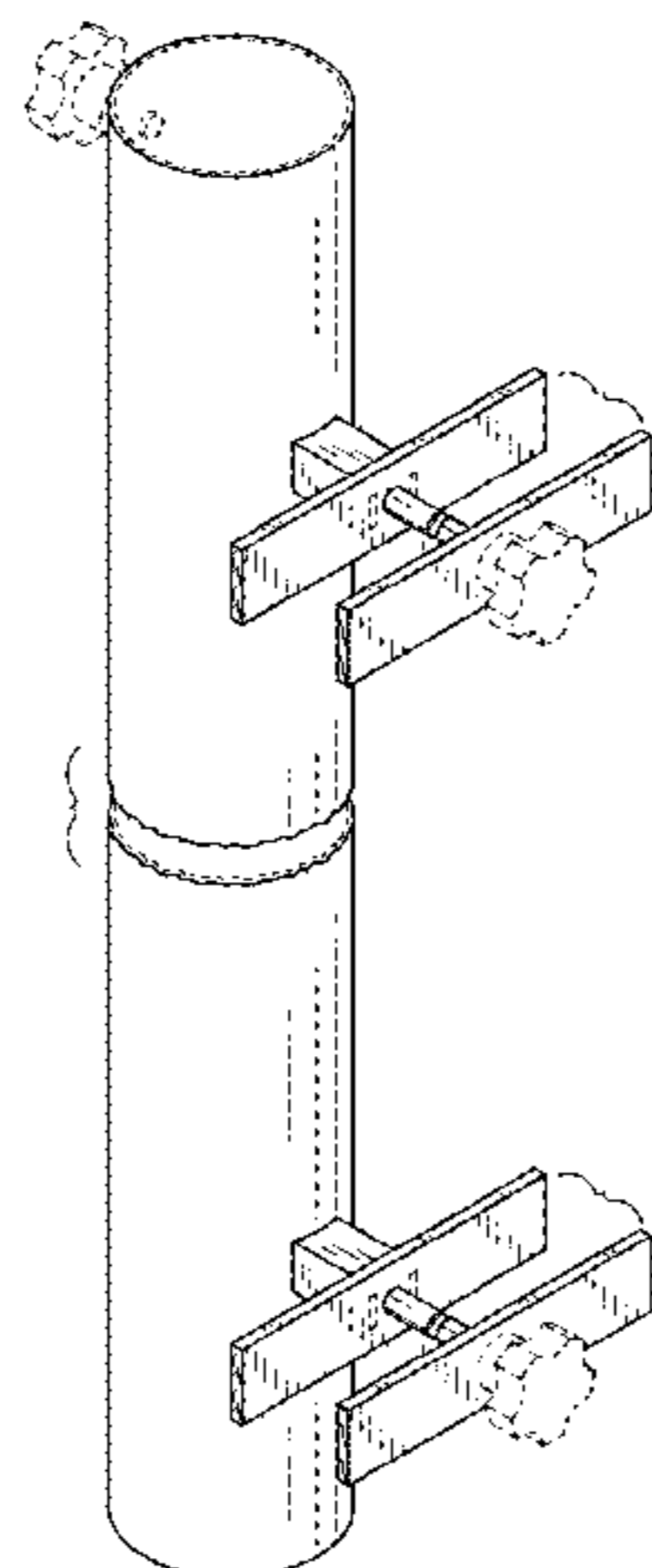
The broken lines depict portions of the article that form no part of the claimed design. Elements of the umbrella holder are shown broken away to indicate that they have no particular length beyond what is shown.

1 Claim, 3 Drawing Sheets

(56) **References Cited**

U.S. PATENT DOCUMENTS

3,706,105	A	12/1972	Nicholas et al.	
4,059,248	A	11/1977	Kuntz	
D298,795	S *	12/1988	Belsham	D8/71
4,889,057	A	12/1989	Chartrand	
4,901,970	A *	2/1990	Moss	A01K 97/10 224/282
5,240,214	A	8/1993	Birnbaum et al.	
D359,161	S *	6/1995	Byrne	D3/5
D361,654	S *	8/1995	Petracco	D29/101.1
5,472,164	A	12/1995	Contee, Jr.	
D370,336	S *	6/1996	Rosier	D3/5
5,653,178	A	8/1997	Huczka	
D389,334	S *	1/1998	Attridge	D3/10
D396,185	S *	7/1998	Fraser	D3/10
D433,224	S *	11/2000	Cochran, Jr.	D3/10
D454,479	S *	3/2002	Kolpin	D8/349
D454,682	S *	3/2002	D'Andrea	D3/10
D458,485	S *	6/2002	Tramontina	D6/515



(56)

References Cited

U.S. PATENT DOCUMENTS

6,931,998	B1	8/2005	Leese	
6,962,018	B1 *	11/2005	King	A01K 97/10 43/21.2
7,121,213	B2	10/2006	Viazanko et al.	
D589,697	S *	4/2009	Green	D3/5
D621,148	S *	8/2010	Brady	D3/10
D621,149	S *	8/2010	Brady	D3/10
8,336,837	B2	12/2012	Gephart et al.	
8,375,622	B1 *	2/2013	Holzmann, Jr.	A01K 97/10 43/21.2
D684,353	S *	6/2013	Grohs	E04F 11/181 D3/5
8,595,973	B1 *	12/2013	Kunz	A01K 97/10 248/514
8,915,197	B2	12/2014	Raml	
8,979,045	B2	3/2015	Petrakis	
D738,099	S *	9/2015	Mosteller	D3/10
D757,421	S *	5/2016	Chaloux	D3/10
D770,758	S *	11/2016	Chaloux	D3/10
9,814,305	B2 *	11/2017	Brus	A47B 5/02
D809,774	S *	2/2018	Brady	D3/10
D816,982	S *	5/2018	Martinez	D3/10
10,006,585	B2 *	6/2018	Thomas	A45B 11/00
D822,980	S *	7/2018	Schaeder	D3/10
2007/0034758	A1	2/2007	Bates	
2007/0101908	A1	5/2007	Makita	
2009/0000523	A1	1/2009	Ciardelli	
2009/0020047	A1	1/2009	Noble et al.	

* cited by examiner

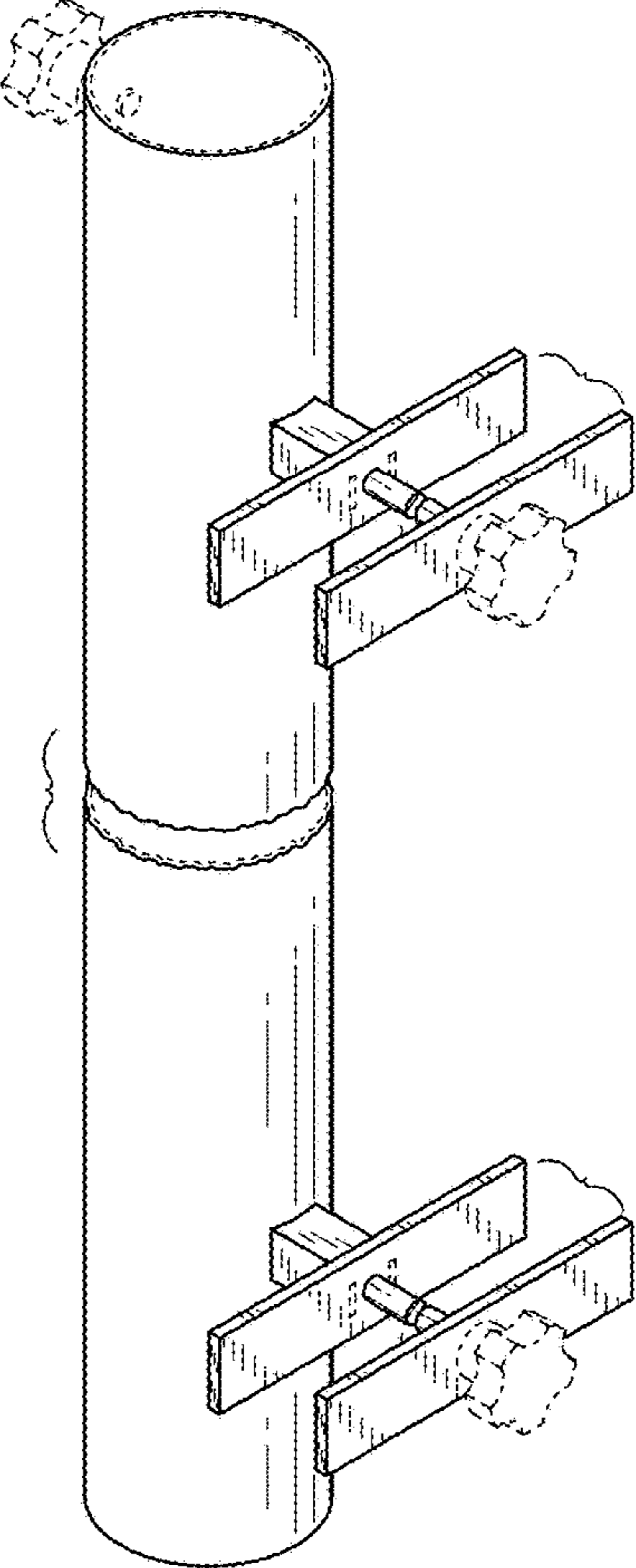


FIG. 1

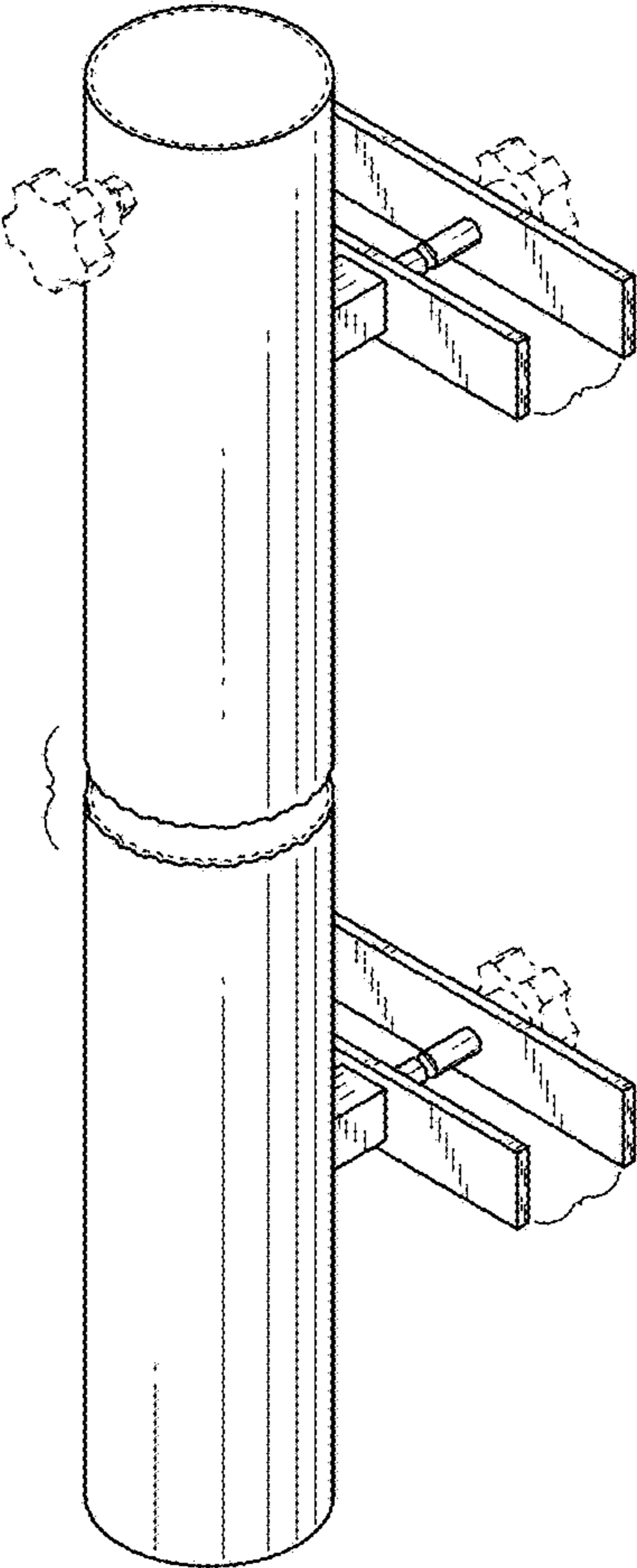


FIG. 2

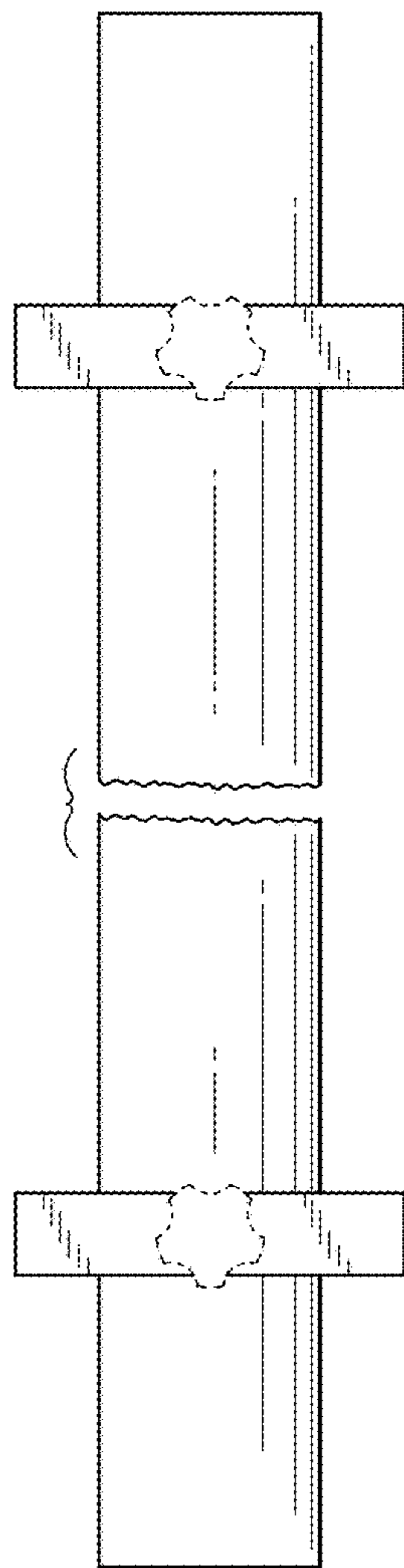


FIG. 3

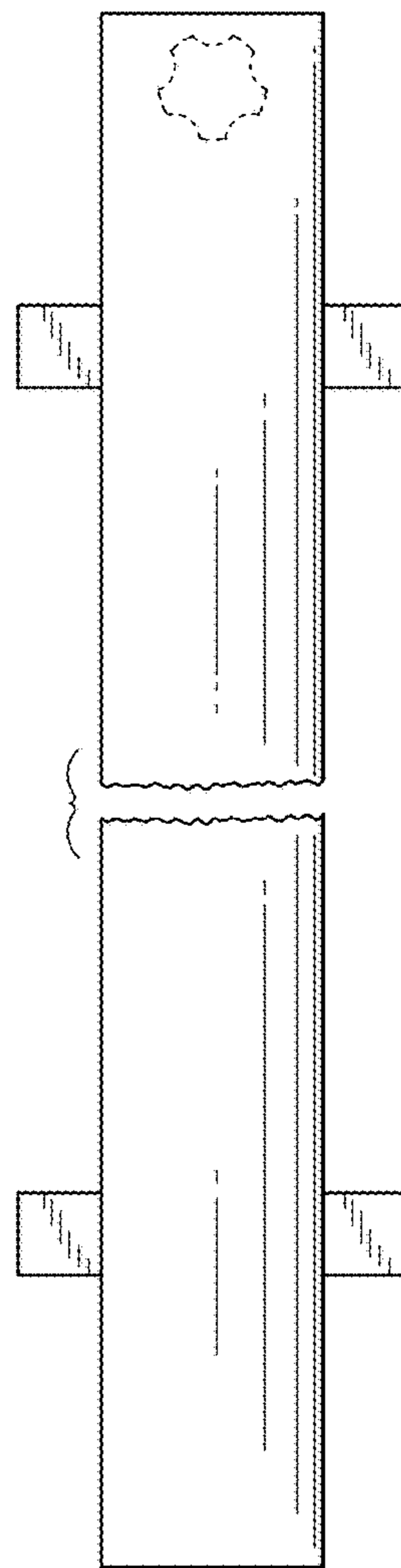


FIG. 4

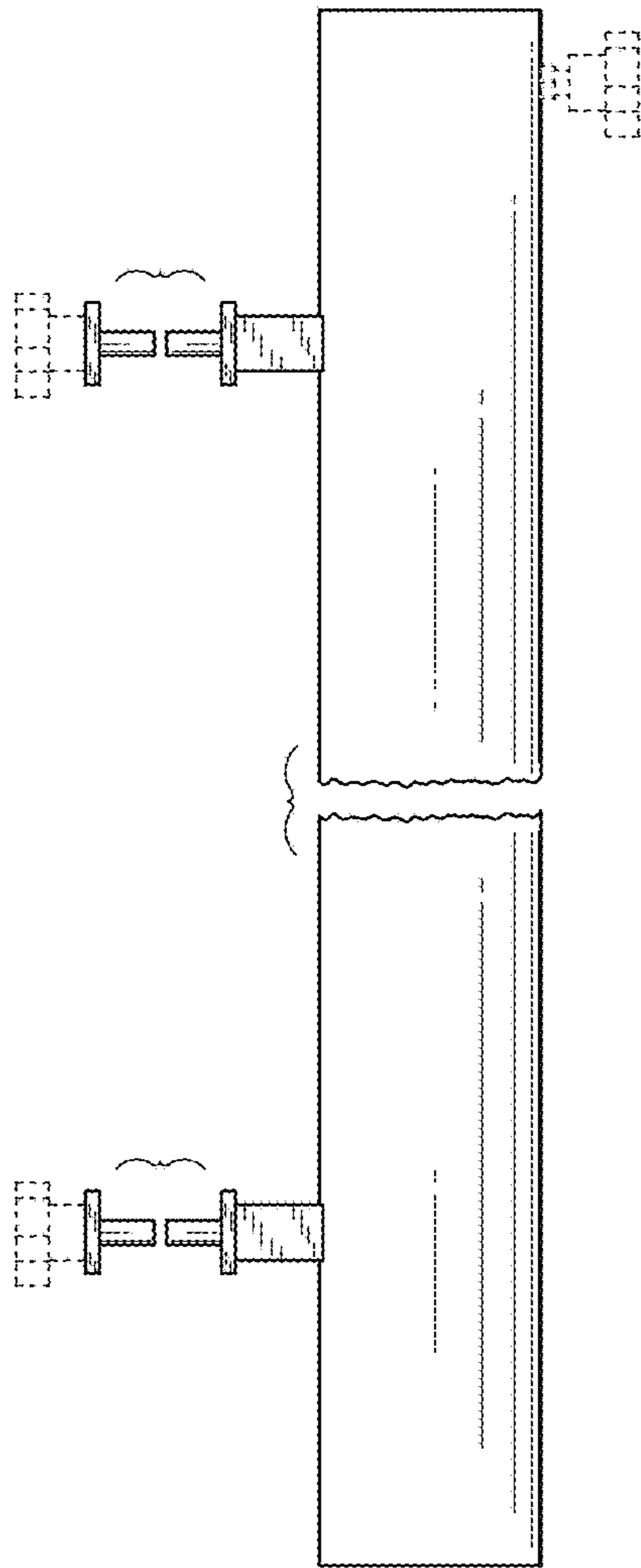


FIG. 5

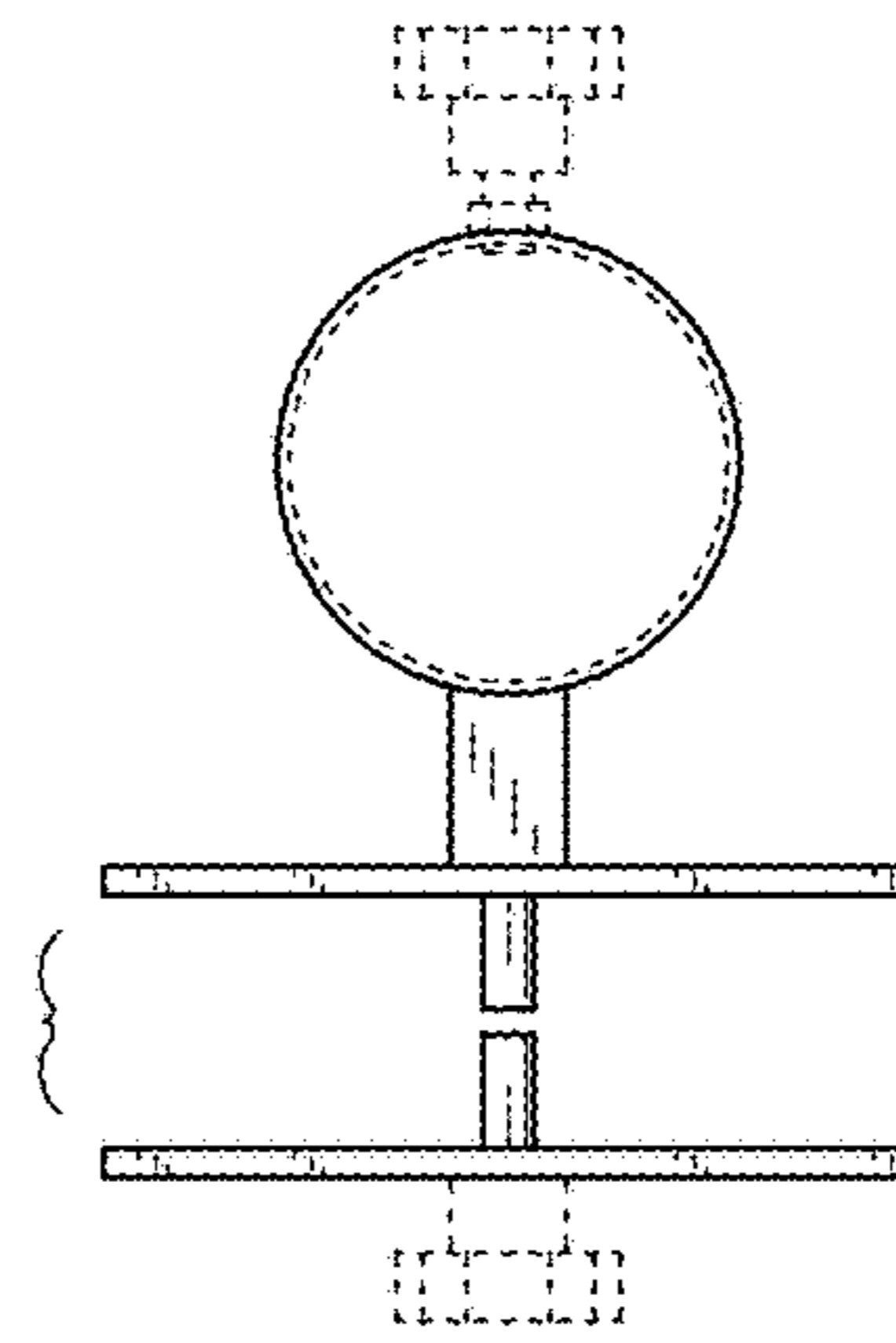


FIG. 6

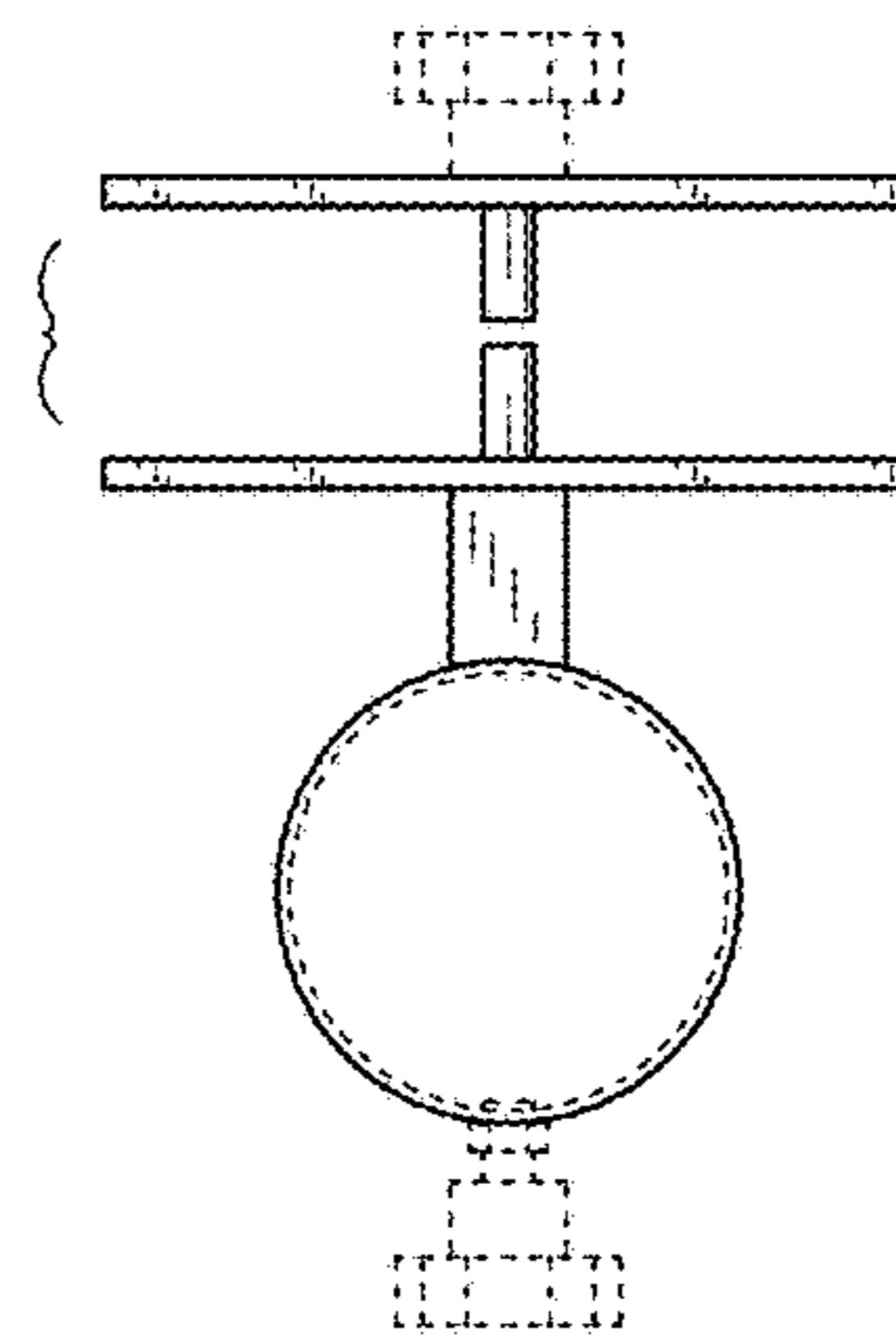


FIG. 7