



US00D850762S

(12) **United States Design Patent** (10) **Patent No.:** **US D850,762 S**
Denny et al. (45) **Date of Patent:** **** Jun. 11, 2019**

(54) **HAT WITH HAT-BAND LOOPS**
(71) Applicants: **Zina Ann Denny**, Meridian, ID (US);
Jetta Leann Denny, Meridian, ID (US)
(72) Inventors: **Zina Ann Denny**, Meridian, ID (US);
Jetta Leann Denny, Meridian, ID (US)

D606,287 S * 12/2009 Denny D2/887
D654,252 S * 2/2012 Denny D2/887
D749,307 S * 2/2016 Denny A42B 1/08
D2/887
D764,772 S * 8/2016 Zenoff D2/866
D768,966 S * 10/2016 Denny D2/887
2016/0374422 A1* 12/2016 Denny A42B 1/205
2/410

(**) Term: **15 Years**

* cited by examiner

(21) Appl. No.: **29/633,697**

Primary Examiner — Karen S Acker

(22) Filed: **Jan. 15, 2018**

Assistant Examiner — Jasmine Mlinarcik

(51) **LOC (11) Cl.** **02-03**

(74) *Attorney, Agent, or Firm* — Your Intellectual
Property Matters, LLC; Robert A. Frohwerk

(52) **U.S. Cl.**
USPC **D2/887**

(57) **CLAIM**

(58) **Field of Classification Search**
USPC D2/865, 866, 875, 876, 877, 878, 879,
D2/880, 881, 882, 883, 884, 885, 886,
D2/887, 888, 891, 893
CPC A42B 1/00; A42B 1/002; A42B 1/004;
A42B 1/006; A42B 1/02; A42B 1/061;
A42B 1/062; A42B 1/063; A42B 1/201;
A42B 1/225

The ornamental design for a hat with hat-band loops, as
shown and described.

See application file for complete search history.

DESCRIPTION

(56) **References Cited**

This application is co-pending with the following Utility
patent application: "Hat with Multi-Function Attachments",
application Ser. No. 15/871,796 filed by Zina Denny, et al.
on Jan. 15, 2018.

U.S. PATENT DOCUMENTS

2,166,337 A * 7/1939 Bauwens A42C 5/00
2/175.3
4,551,860 A * 11/1985 Smit A42B 1/004
2/175.1
D350,427 S * 9/1994 Vig 2/175.1
5,592,696 A * 1/1997 Oliver A42B 1/02
2/175.3
D474,326 S * 5/2003 Williams D2/886

FIG. 1 is an isometric view of the front of the hat with
hat-band loops;

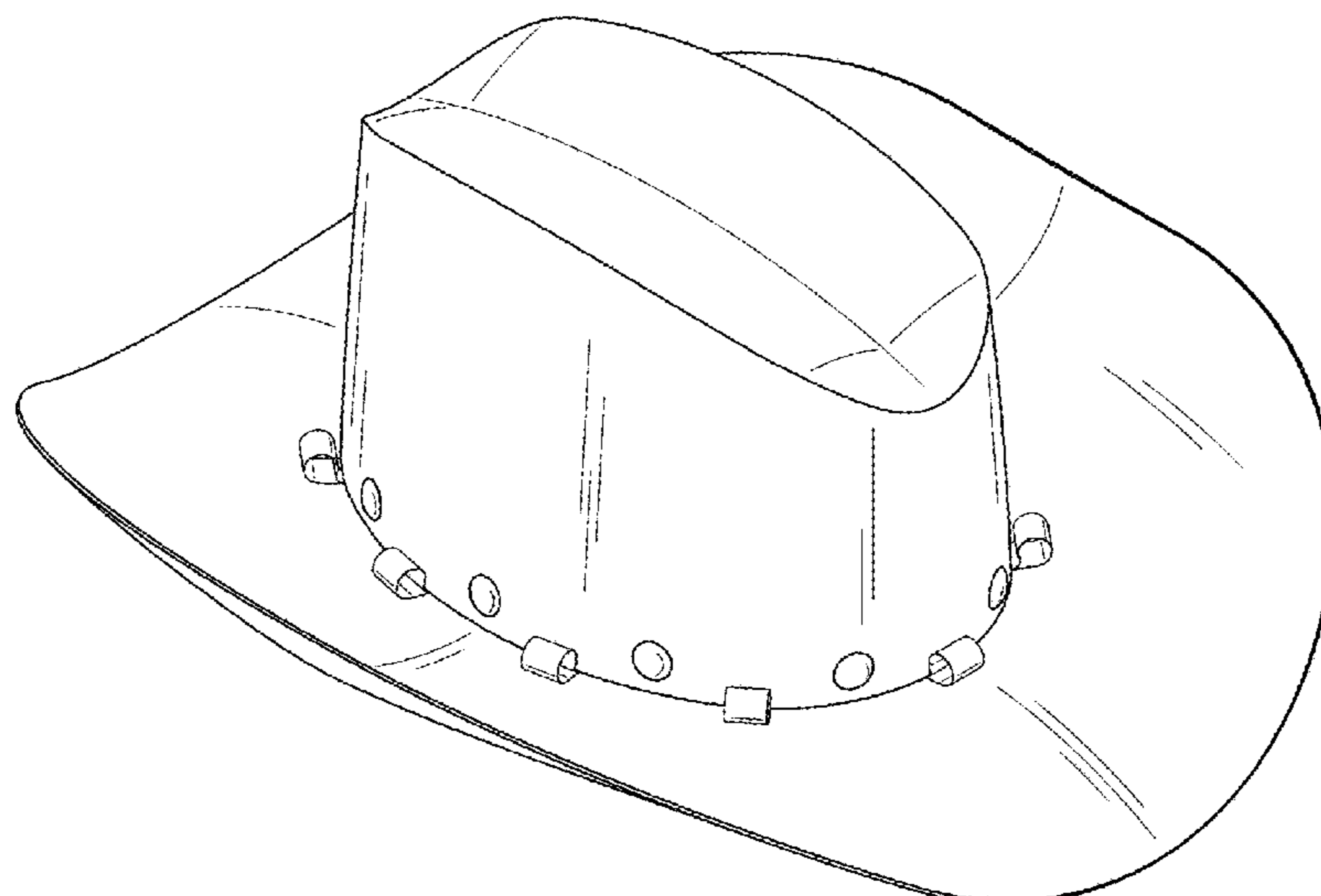
FIG. 2 is a front elevation view of the hat, the rear elevation
view is not shown as it is a mirror image of the front
elevation view;

FIG. 3 is a frontal view of the hat tilted downward;

FIG. 4 is a right side view of the hat tilted downward, the left
side view is not shown as it is a mirror image of the right side
view; and,

FIG. 5 is a top plan view of the hat, the bottom plan view is
not shown because it has no ornamental content.

1 Claim, 5 Drawing Sheets



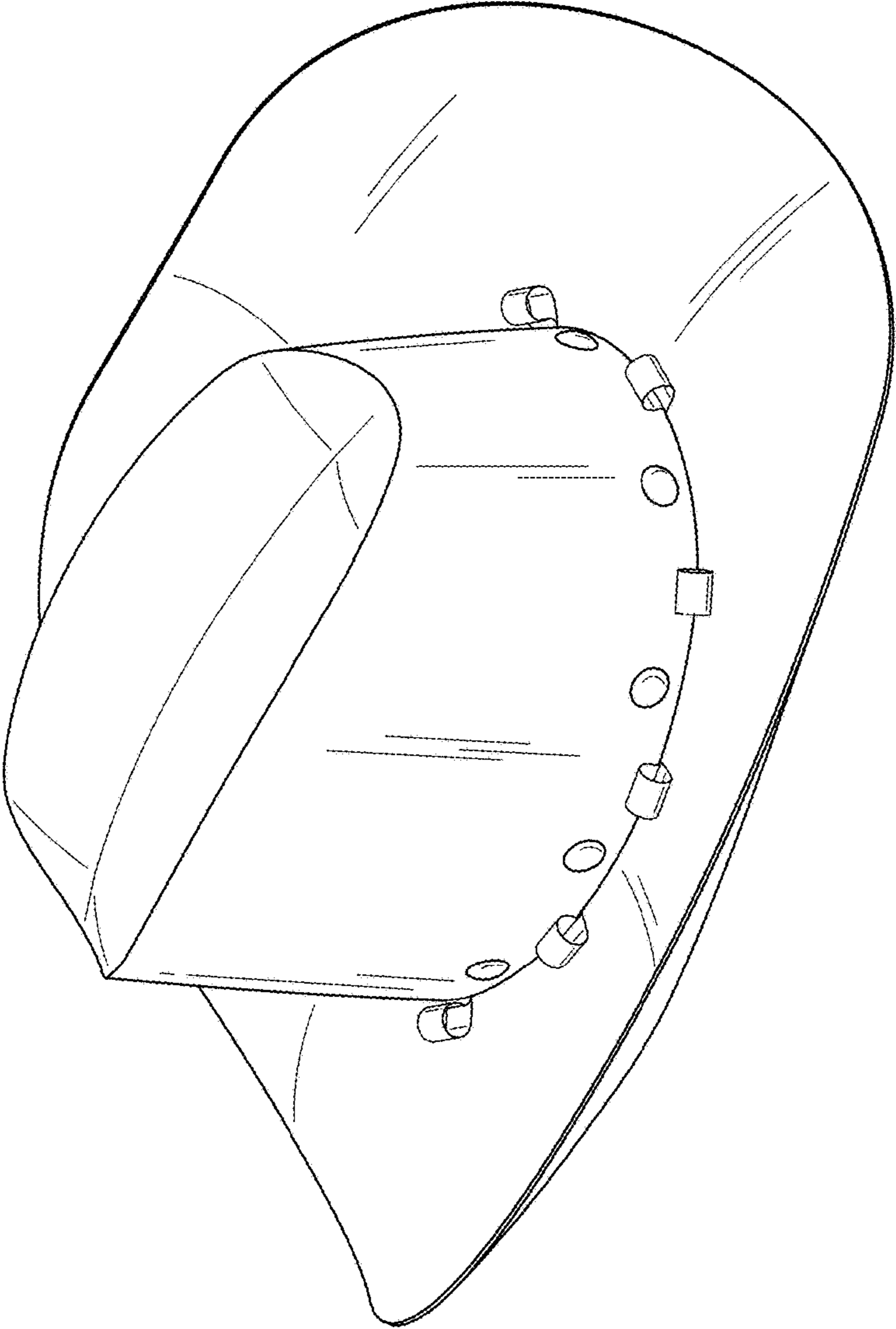


FIG. 1

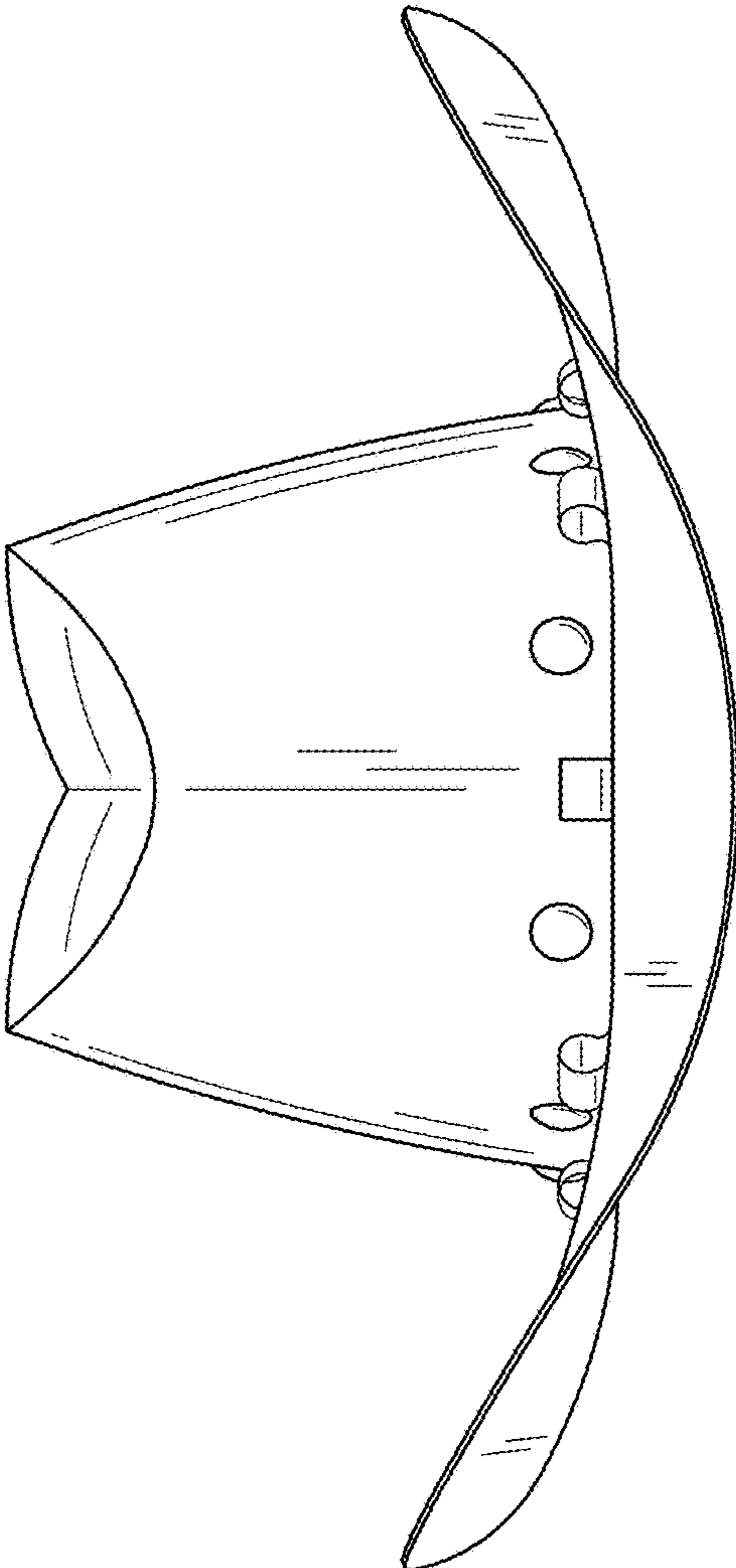


FIG. 2

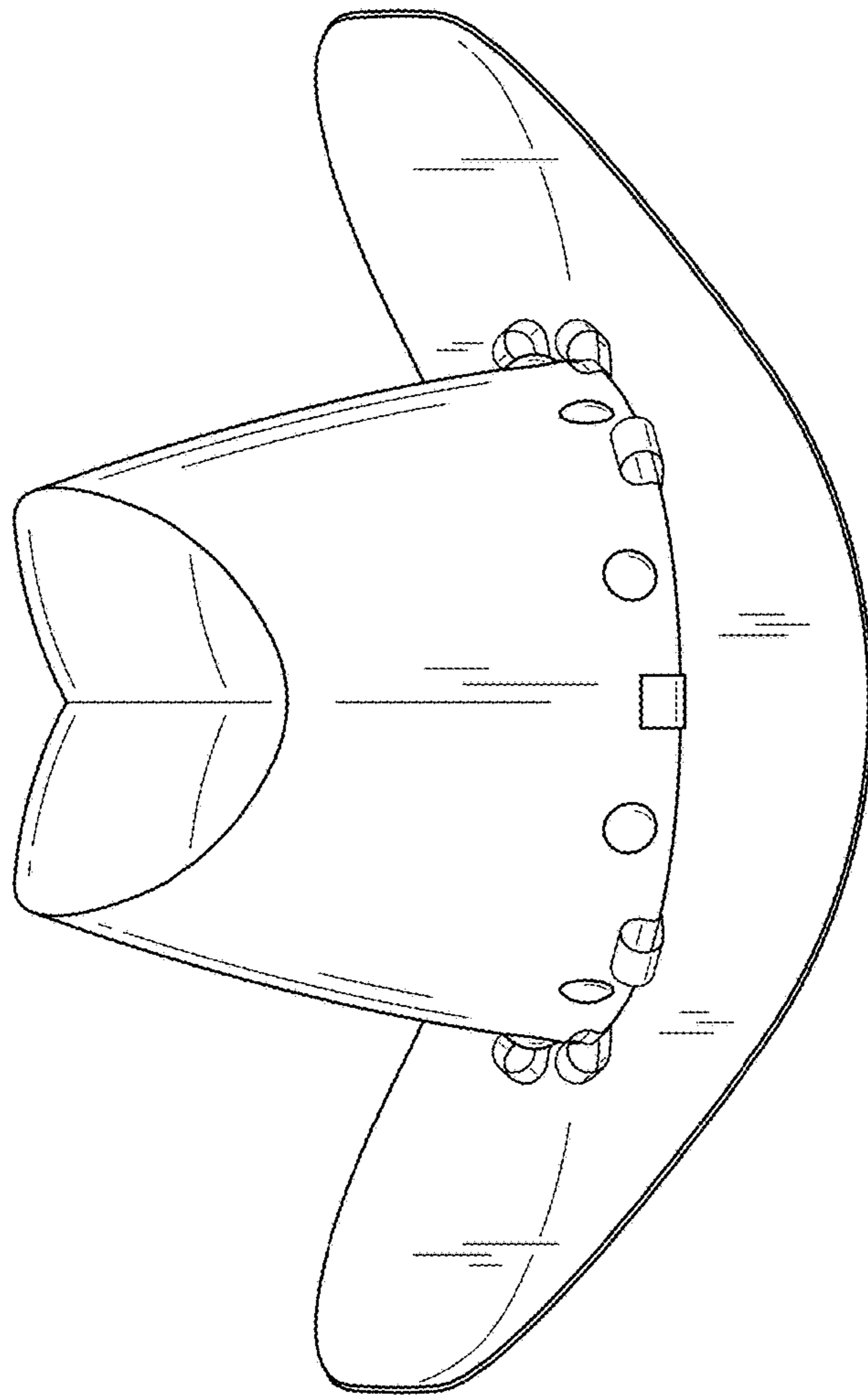


FIG. 3

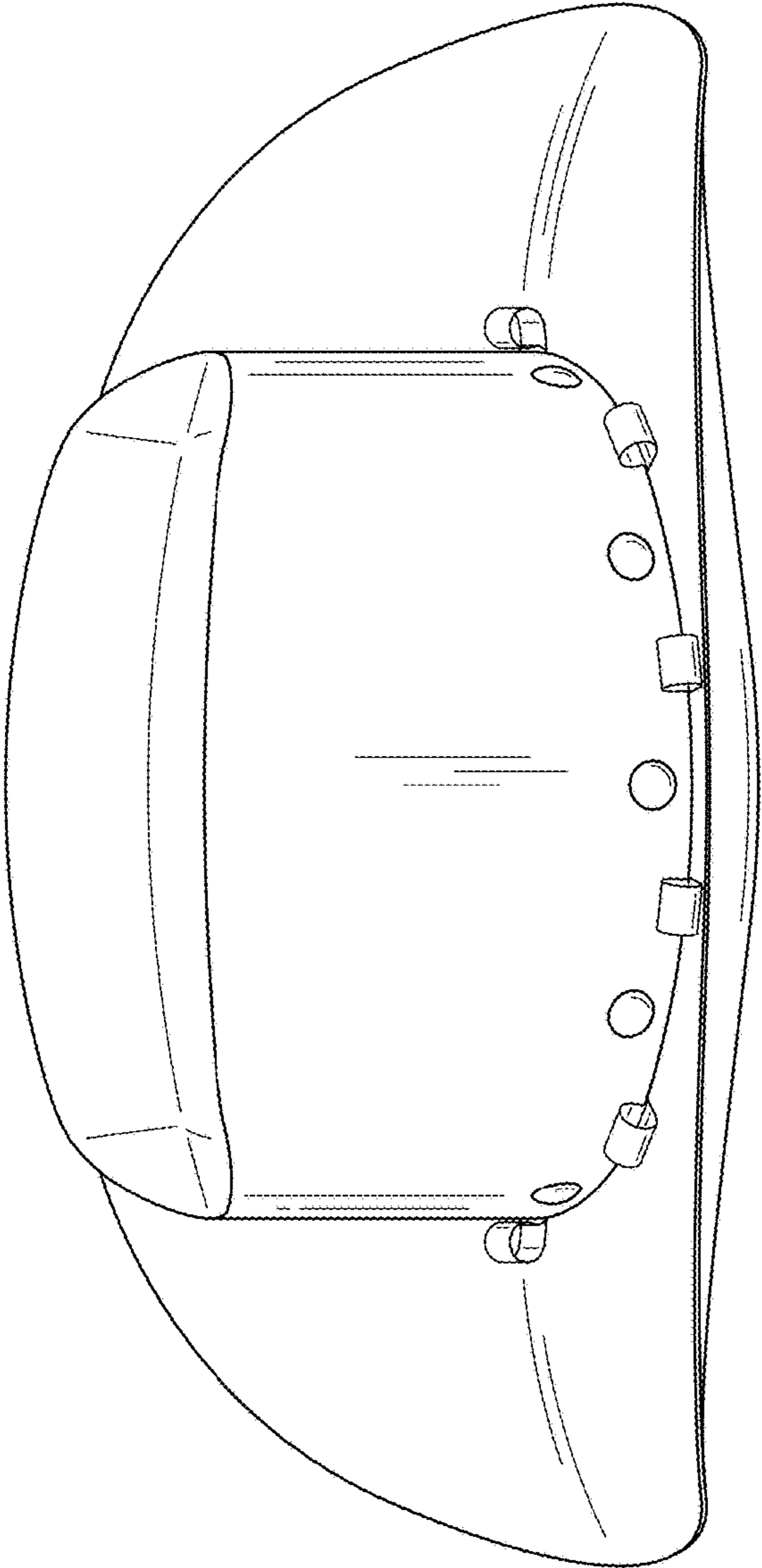


FIG. 4

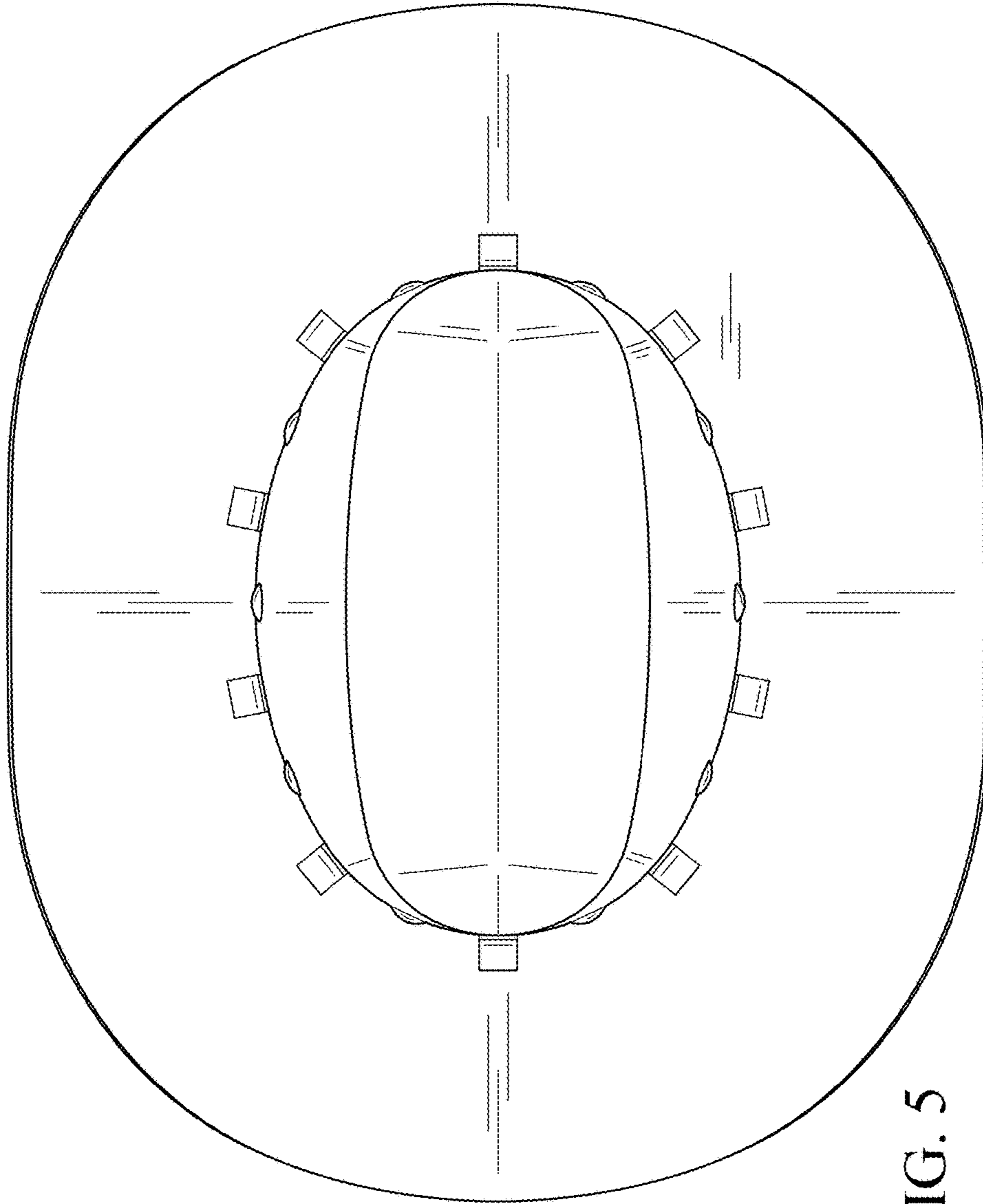


FIG. 5