



US00D850754S

(12) **United States Design Patent**
Peota et al.

(10) **Patent No.: US D850,754 S**
(45) **Date of Patent: ** Jun. 4, 2019**

(54) **SHOPPING CART SHELF**

(71) Applicant: **TARGET BRANDS, INC.**,
Minneapolis, MN (US)

(72) Inventors: **Robert D. Peota**, Minneapolis, MN
(US); **Mitchell W. Knoll**, Eagan, MN
(US); **Dale Selsor Di Iulio**, Saukville,
WI (US); **Douglas James Birkholz**,
Madison, WI (US); **Jeffrey Michael**
Lallensack, Fredonia, WI (US)

(73) Assignee: **TARGET BRANDS, INC.**,
Minneapolis, MN (US)

(**) Term: **15 Years**

(21) Appl. No.: **29/628,525**

(22) Filed: **Dec. 5, 2017**

Related U.S. Application Data

(62) Division of application No. 29/566,658, filed on Jun.
1, 2016, now Pat. No. Des. 806,976.

(51) **LOC (11) Cl.** **12-02**

(52) **U.S. Cl.**
USPC **D34/27**

(58) **Field of Classification Search**
USPC D34/27, 12, 21, 17
CPC B62B 3/14; B62B 3/144; B62B 3/1452;
B62B 7/08

See application file for complete search history.

(56) **References Cited**

U.S. PATENT DOCUMENTS

2,633,278 A	3/1953	Muniz
2,979,301 A	4/1961	Reveal
3,128,984 A	4/1964	Palm
3,494,631 A	2/1970	Kreider
3,539,204 A	11/1970	Keller
3,912,291 A	10/1975	Frisch
4,081,205 A	3/1978	Rosenacker

4,274,567 A	6/1981	Sawyer
4,423,888 A	1/1984	Addison
4,443,961 A	4/1984	Gilroy
4,450,994 A	5/1984	Holland
4,487,134 A	12/1984	Foote

(Continued)

OTHER PUBLICATIONS

“Muggie—Coffee Sleeve by Kyu Seop Lee”, printed from www.
yankodesign.com/2012/02/07/protect-your-paw/, publicly available
at least as early as Feb. 7, 2012 (5 pages).

Primary Examiner — Cynthia Ramirez

(74) *Attorney, Agent, or Firm* — JoAnn M. Seaton;
Griffiths & Seaton PLLC

(57) **CLAIM**

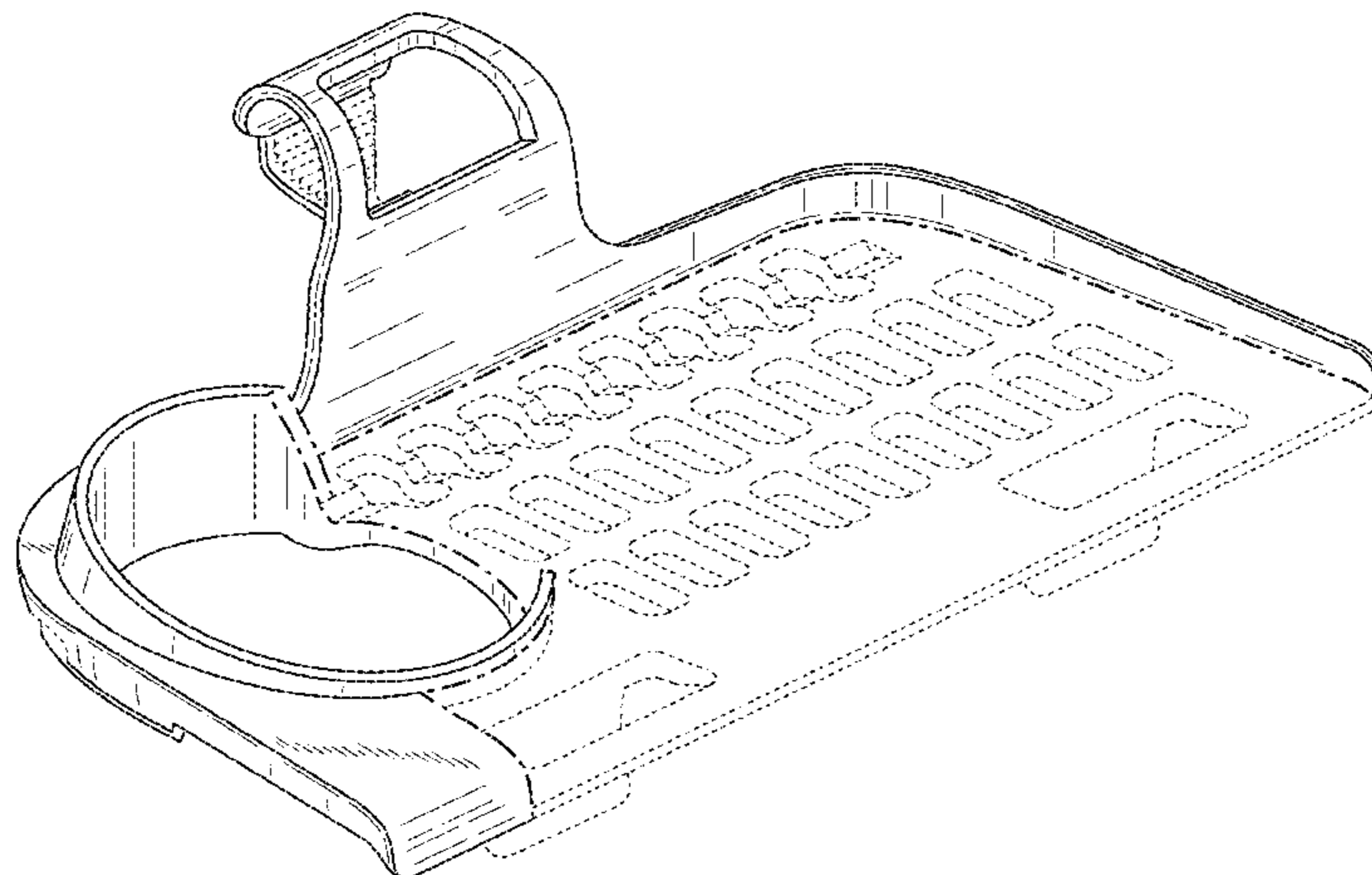
The ornamental design for a shopping cart shelf, as shown
and described.

DESCRIPTION

FIG. 1 is a front perspective view of a shopping cart shelf
showing our new design;
FIG. 2 is a front view thereof;
FIG. 3 is a rear view thereof;
FIG. 4 is a right side view thereof,
FIG. 5 is a left side view thereof;
FIG. 6 is a top view thereof; and
FIG. 7 is a bottom view thereof; and,
FIG. 8 is a front, perspective view of the shopping cart shelf
of FIG. 1 shown with unclaimed environmental subject
matter.

The features shown in broken lines in FIGS. 1 through 8 are
to show portions of the shopping cart shelf forming no part
of the claimed design. The cart shown in broken lines in
FIG. 8 is to show environment and forms no part of the
claimed design. The long dash-short dash bolded broken
lines indicate the bounds of the claimed design and other-
wise form no part of the claimed design.

1 Claim, 6 Drawing Sheets



(56)

References Cited

U.S. PATENT DOCUMENTS

4,583,753 A 4/1986 Economy
 4,643,280 A 2/1987 Hensley
 4,679,818 A 7/1987 Kakavas
 4,685,701 A 8/1987 Amundson et al.
 4,702,402 A 10/1987 Ferri
 4,901,901 A 2/1990 Reitenour
 4,966,318 A 10/1990 Dutka
 5,002,215 A 3/1991 Gregoire
 5,004,252 A 4/1991 Kraper
 5,072,957 A 12/1991 Graebe, Jr.
 5,086,960 A 2/1992 Schwietzer
 5,182,895 A 2/1993 Lugo
 5,203,578 A 4/1993 Davidson et al.
 D340,339 S 10/1993 Kean et al.
 5,263,578 A 11/1993 Narvey
 5,362,077 A 11/1994 Adamson
 5,417,353 A 5/1995 Stall
 5,494,308 A 2/1996 Southerland
 5,501,383 A 3/1996 Wilson
 D368,566 S 4/1996 Glaeser
 5,566,609 A 10/1996 Kirschner
 5,636,818 A 6/1997 Edwards et al.
 D411,904 S 7/1999 Risholm et al.
 6,158,640 A 12/2000 Karp et al.
 D440,372 S 4/2001 Williams
 D445,231 S 7/2001 Porter
 6,453,588 B1 9/2002 Lykens
 D484,664 S 12/2003 Arceta
 D492,829 S 7/2004 Babkes et al.
 6,944,981 B1 9/2005 Garberg et al.

D523,207 S 6/2006 Tucker et al.
 D536,503 S 2/2007 Weigand et al.
 7,195,155 B2 3/2007 Garberg et al.
 D548,921 S 8/2007 Gaddy
 7,374,182 B2 5/2008 Gurley et al.
 D583,123 S 12/2008 Cassin, III
 D598,024 S 8/2009 Scott et al.
 7,673,410 B1 3/2010 Buerchner et al.
 8,056,909 B2 11/2011 Burdwood et al.
 8,077,453 B2 12/2011 Swan et al.
 8,162,331 B2 4/2012 Simonson et al.
 8,423,696 B2 4/2013 Thordarson
 8,471,832 B2 7/2013 Mersky
 8,534,520 B1 9/2013 Liparoti
 D696,483 S 12/2013 Otterlee et al.
 8,690,166 B2 4/2014 Peota et al.
 9,120,496 B1 9/2015 Griffith
 9,126,616 B2 9/2015 Crum
 D760,464 S 6/2016 Dyer et al.
 D794,897 S 8/2017 Dyer et al.
 D806,976 S * 1/2018 Peota D34/27
 2002/0084628 A1 7/2002 Van Horn et al.
 2004/0080129 A1 4/2004 Myers et al.
 2004/0189066 A1 9/2004 Beaty
 2006/0049591 A1 3/2006 Pennell
 2007/0007416 A1 1/2007 Vogel
 2007/0273113 A1 11/2007 Muir
 2009/0140505 A1 6/2009 Fryer et al.
 2009/0242717 A1 10/2009 Stonehouse
 2011/0011995 A1 1/2011 Tridon De Rey
 2013/0313297 A1 11/2013 Belby et al.
 2013/0341370 A1 12/2013 Larson
 2014/0069973 A1 3/2014 Peck et al.

* cited by examiner

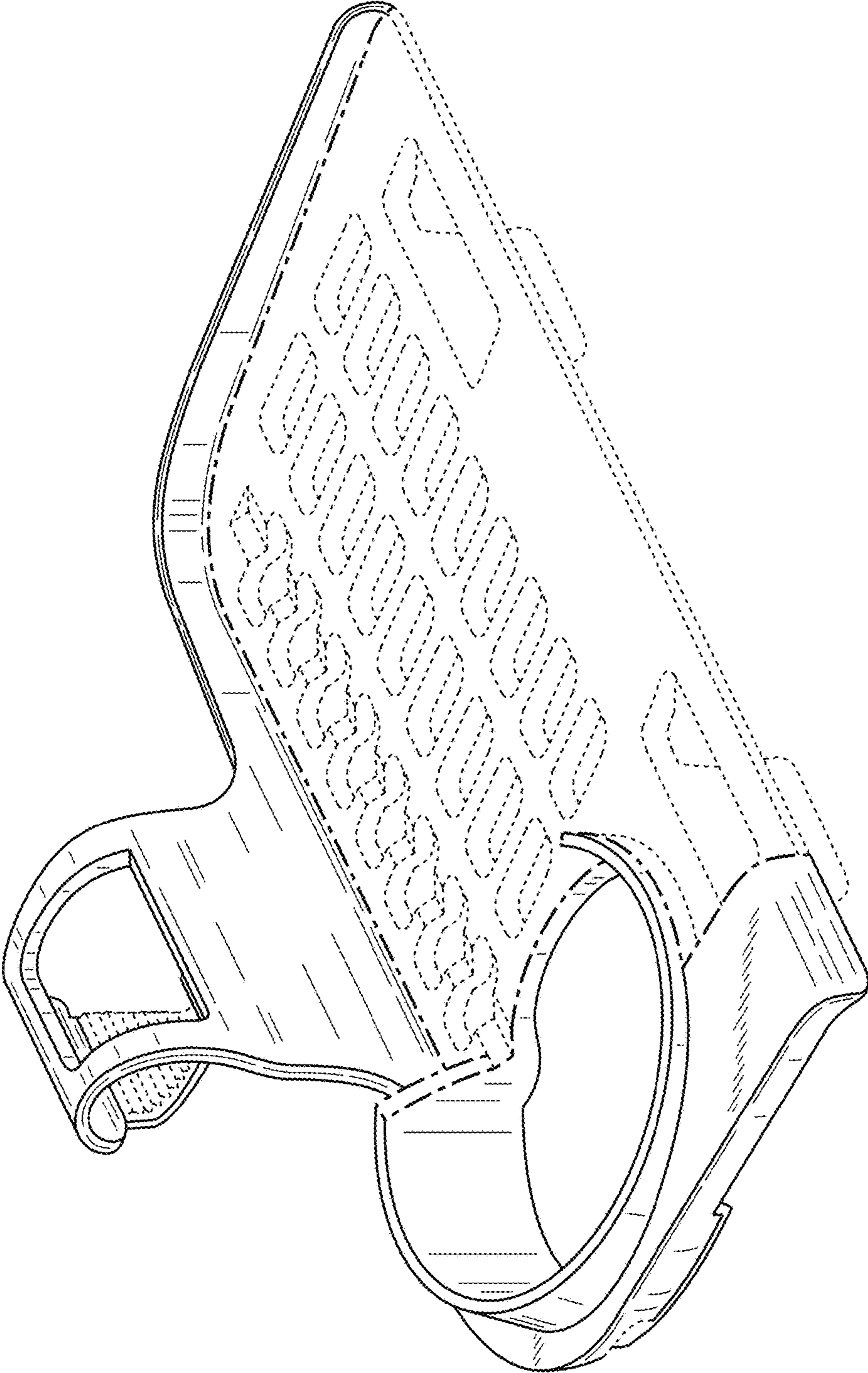


FIG. 1

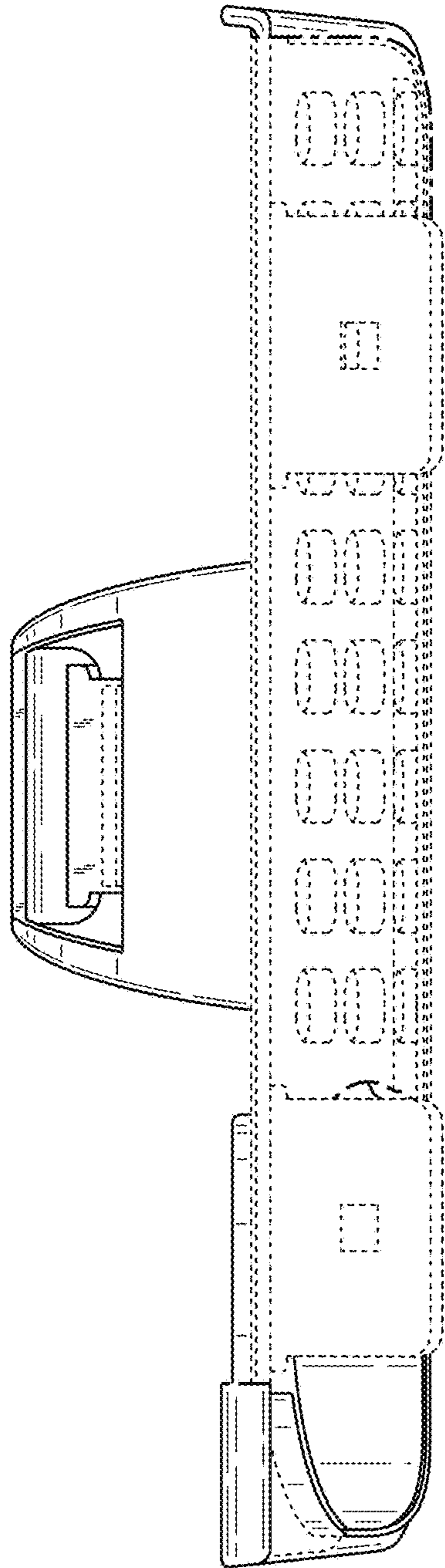


FIG. 2

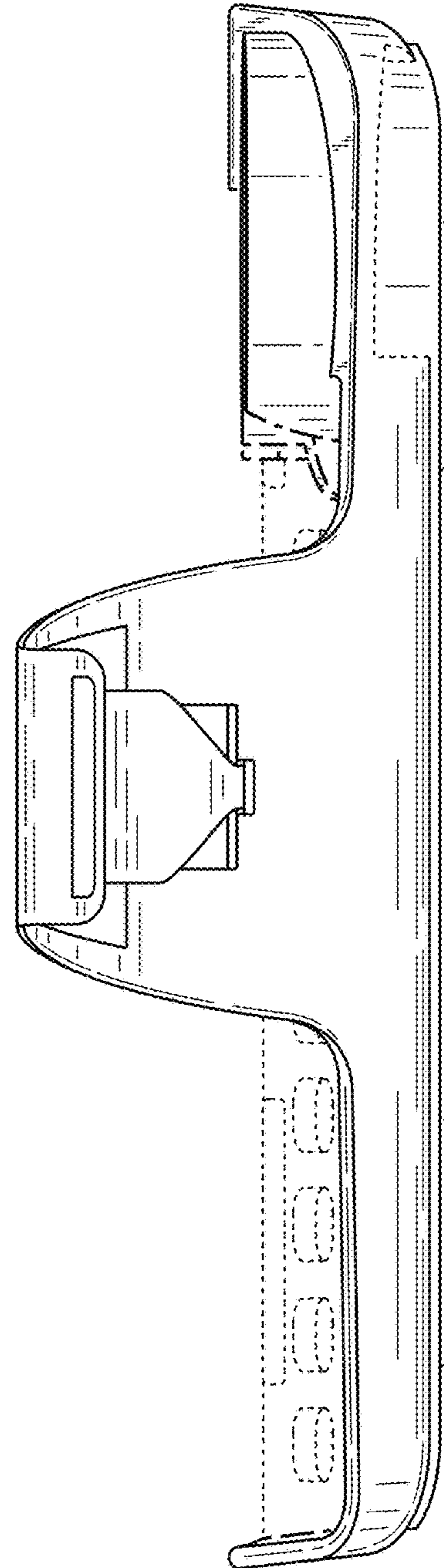


FIG. 3

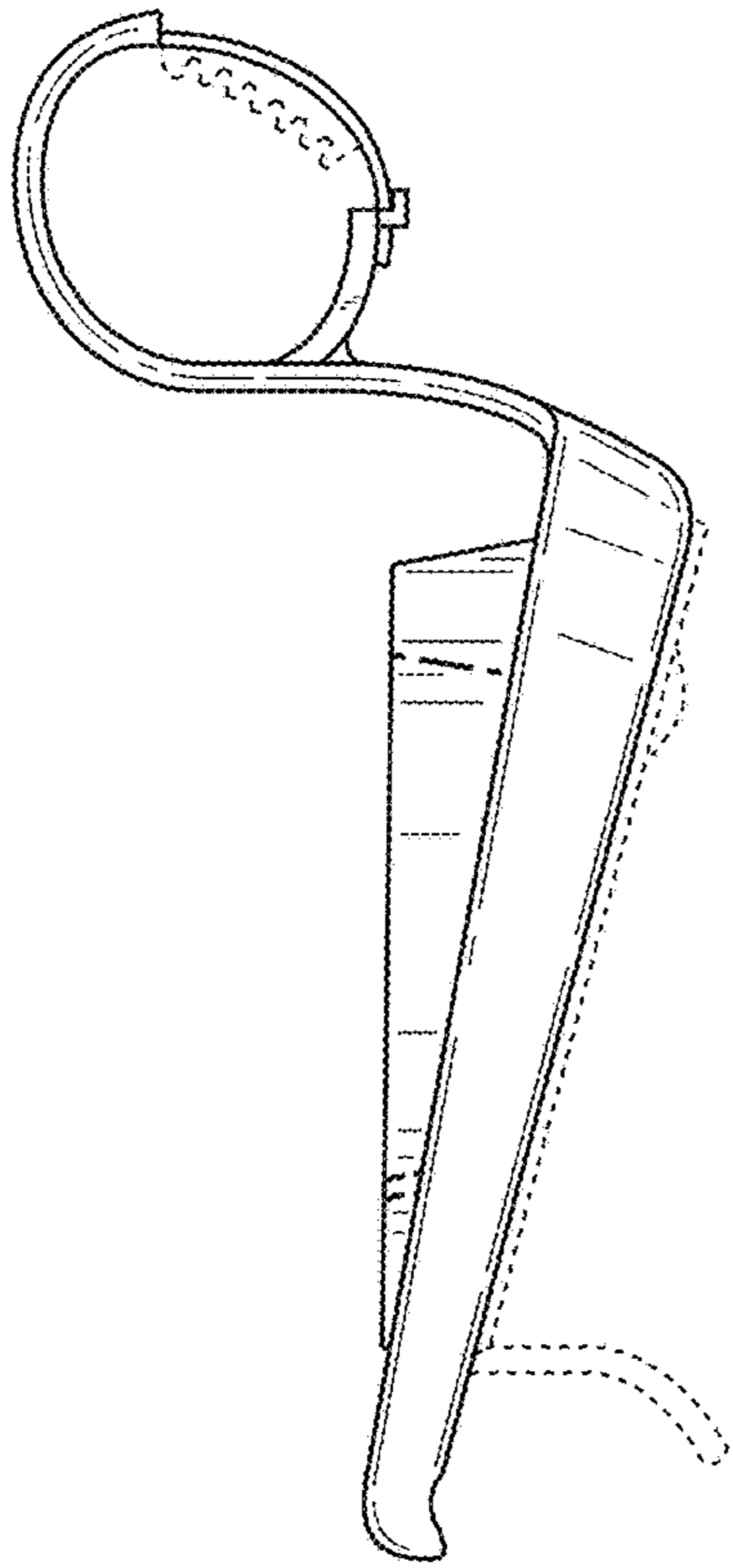


FIG. 4

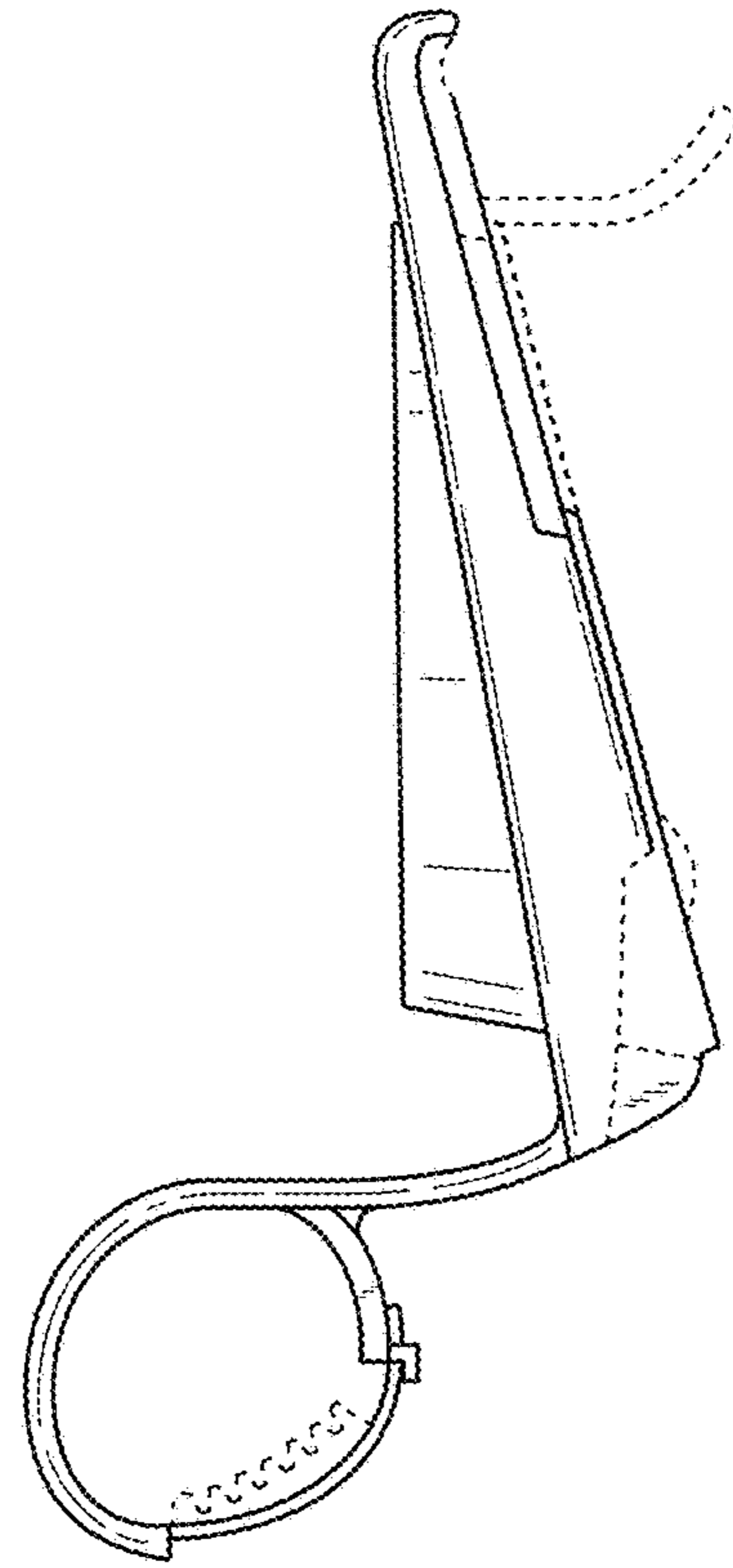


FIG. 5

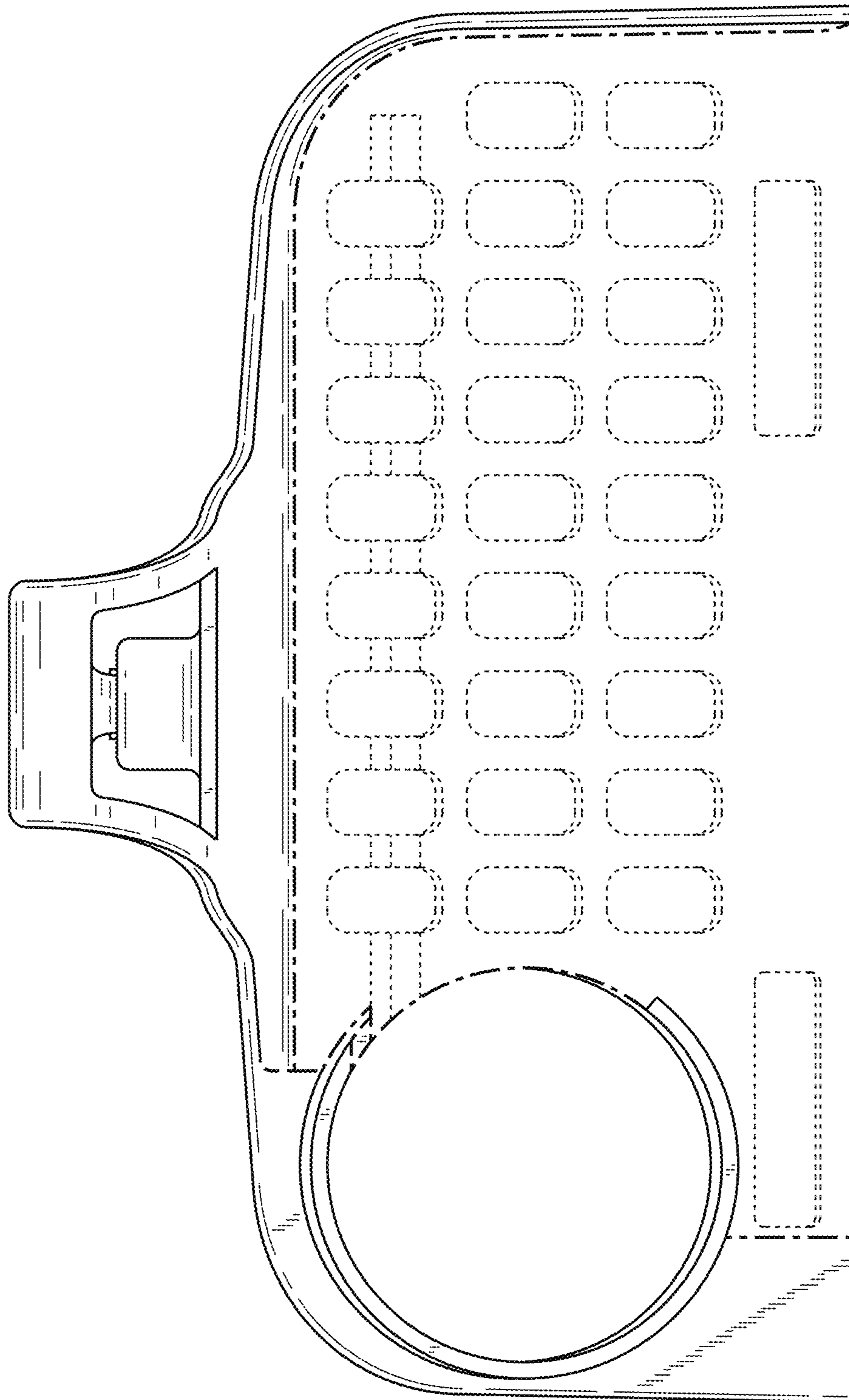


FIG. 6

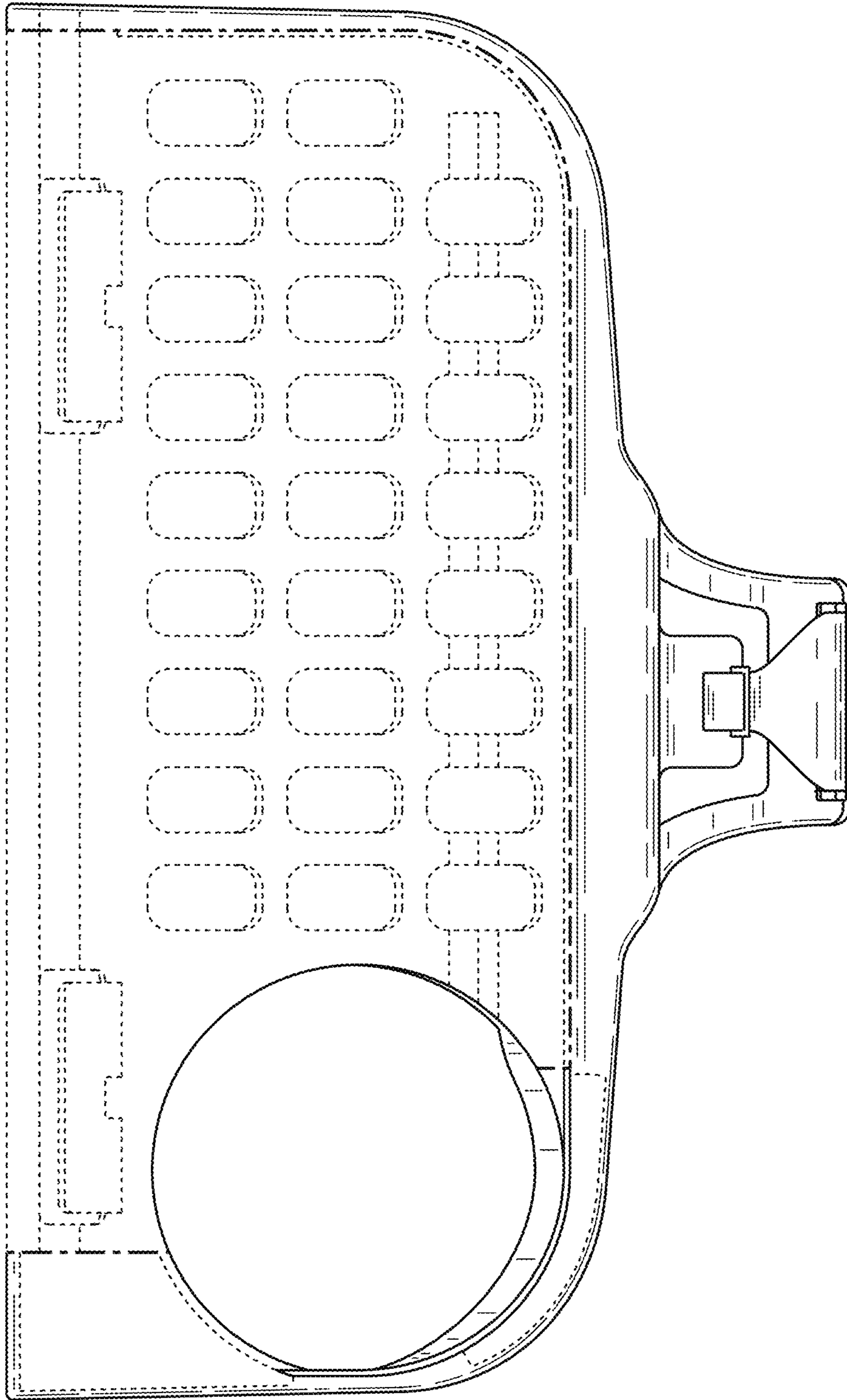


FIG. 7

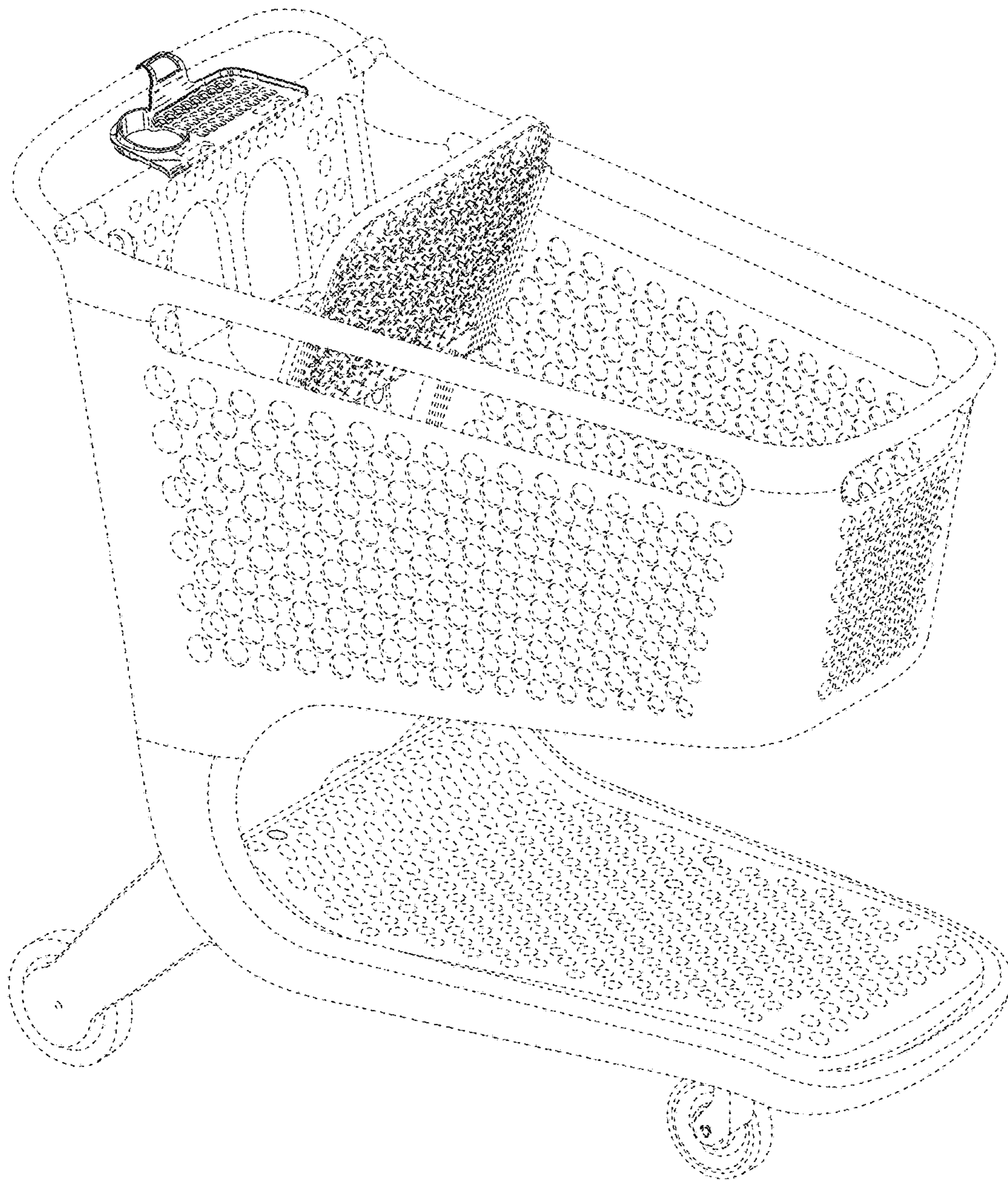


FIG. 8