



US00D850753S

(12) **United States Design Patent**
Cao

(10) **Patent No.:** **US D850,753 S**
(45) **Date of Patent:** **** Jun. 4, 2019**

(54) **TROLLEY CART**

D757,387 S * 5/2016 Cao D34/21
D831,390 S * 10/2018 Li D6/675.1
D832,549 S * 10/2018 Cao D34/21

(71) Applicant: **Guohua Cao**, Guangdong (CN)

(72) Inventor: **Guohua Cao**, Guangdong (CN)

(**) Term: **15 Years**

(21) Appl. No.: **29/623,799**

(22) Filed: **Oct. 27, 2017**

(51) **LOC (11) Cl.** **12-02**

(52) **U.S. Cl.**
USPC **D34/21**

(58) **Field of Classification Search**
USPC D34/12-27; D3/304-315; D6/653,
D6/653.1, 675.1

CPC A61G 12/001; A47B 88/20; B25H 3/06;
B25H 3/021; B25H 3/028; B62B 3/00;
B62B 3/002; B62B 3/005; B62B
2501/067

See application file for complete search history.

(56) **References Cited**

U.S. PATENT DOCUMENTS

D207,308 S *	4/1967	Bell	D34/21
D303,444 S *	9/1989	Yoshikawa	D34/21
D436,239 S *	1/2001	Walsh	D34/17
D517,769 S *	3/2006	Post	D34/21
D610,769 S *	2/2010	Post	D34/21
D703,412 S *	4/2014	Snider	D34/17
D734,914 S *	7/2015	Tsai	D34/21
D748,359 S *	1/2016	Lustig	D34/21
D752,906 S *	4/2016	Gunderson	D6/675.1
D756,584 S *	5/2016	Dunford	D34/12

OTHER PUBLICATIONS

Google search, Amazon.com, <https://www.amazon.com/Advantus-CH93455-Mobile-Gift-White/dp/B00YUFTJKI>, Nov. 8, 2018 (Year: 2018).*

* cited by examiner

Primary Examiner — Cynthia Ramirez

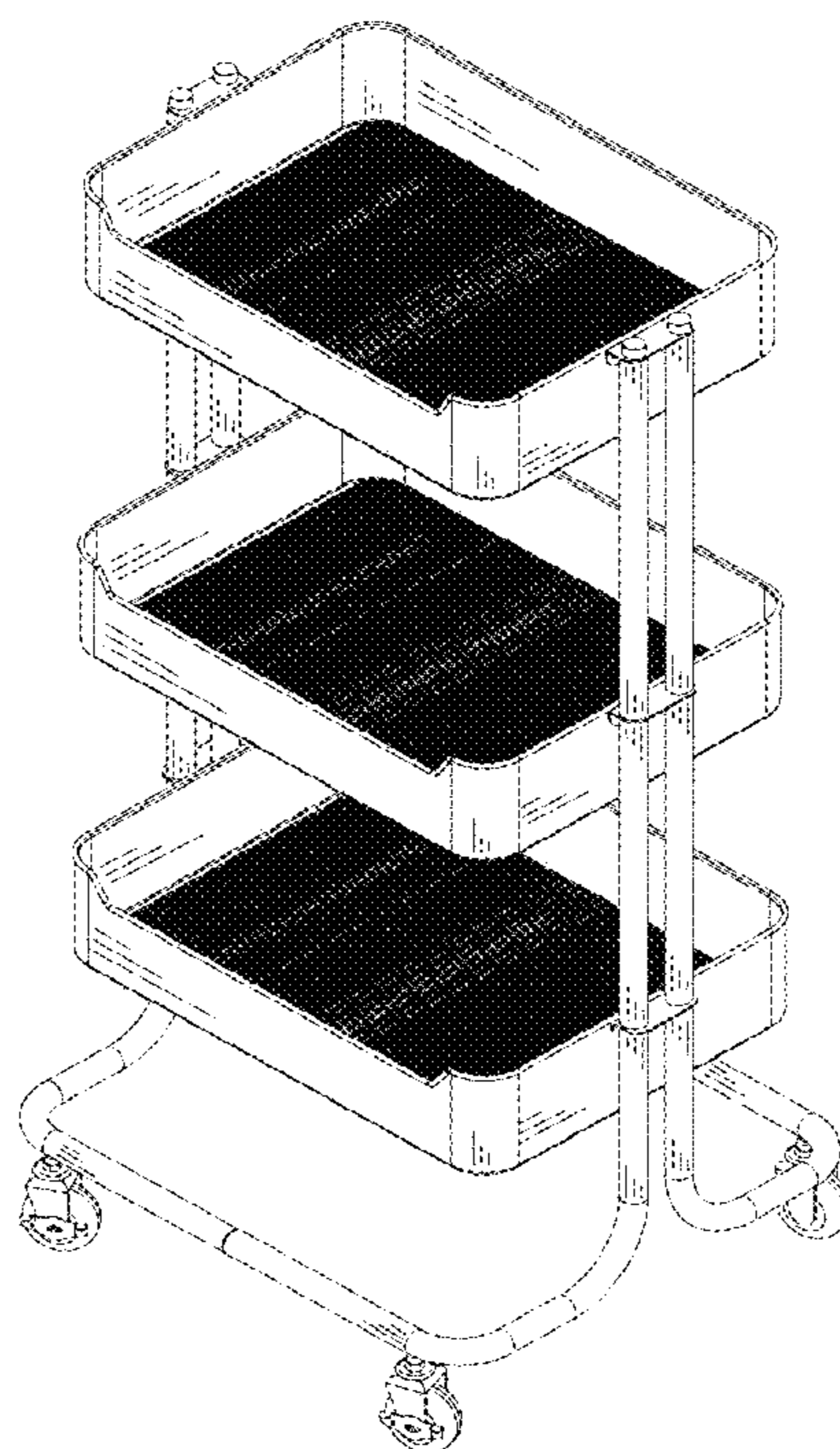
(57) **CLAIM**

The ornamental design for a trolley cart, as shown and described.

DESCRIPTION

FIG. 1 is a front elevational view of a trolley cart showing my new design;
FIG. 2 is a rear elevational view thereof;
FIG. 3 is a left side view thereof;
FIG. 4 is a right side view thereof;
FIG. 5 is a top plan view thereof;
FIG. 6 is a bottom plan view thereof;
FIG. 7 is a perspective view thereof;
FIG. 8 is another perspective view thereof; and,
FIG. 9 is a perspective view thereof with all the support rods and wheels removed and the baskets stacked.

1 Claim, 9 Drawing Sheets



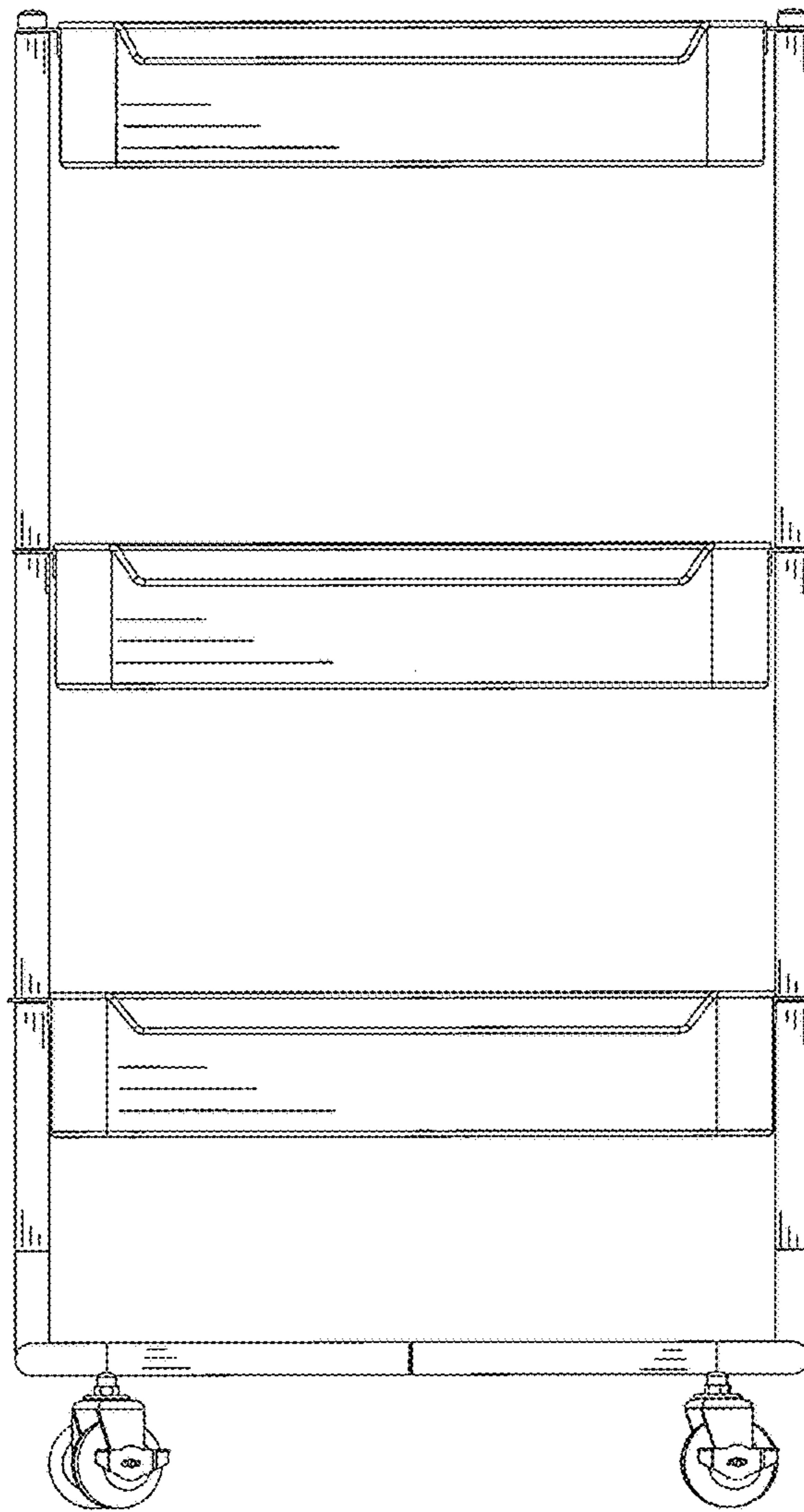


Fig. 1

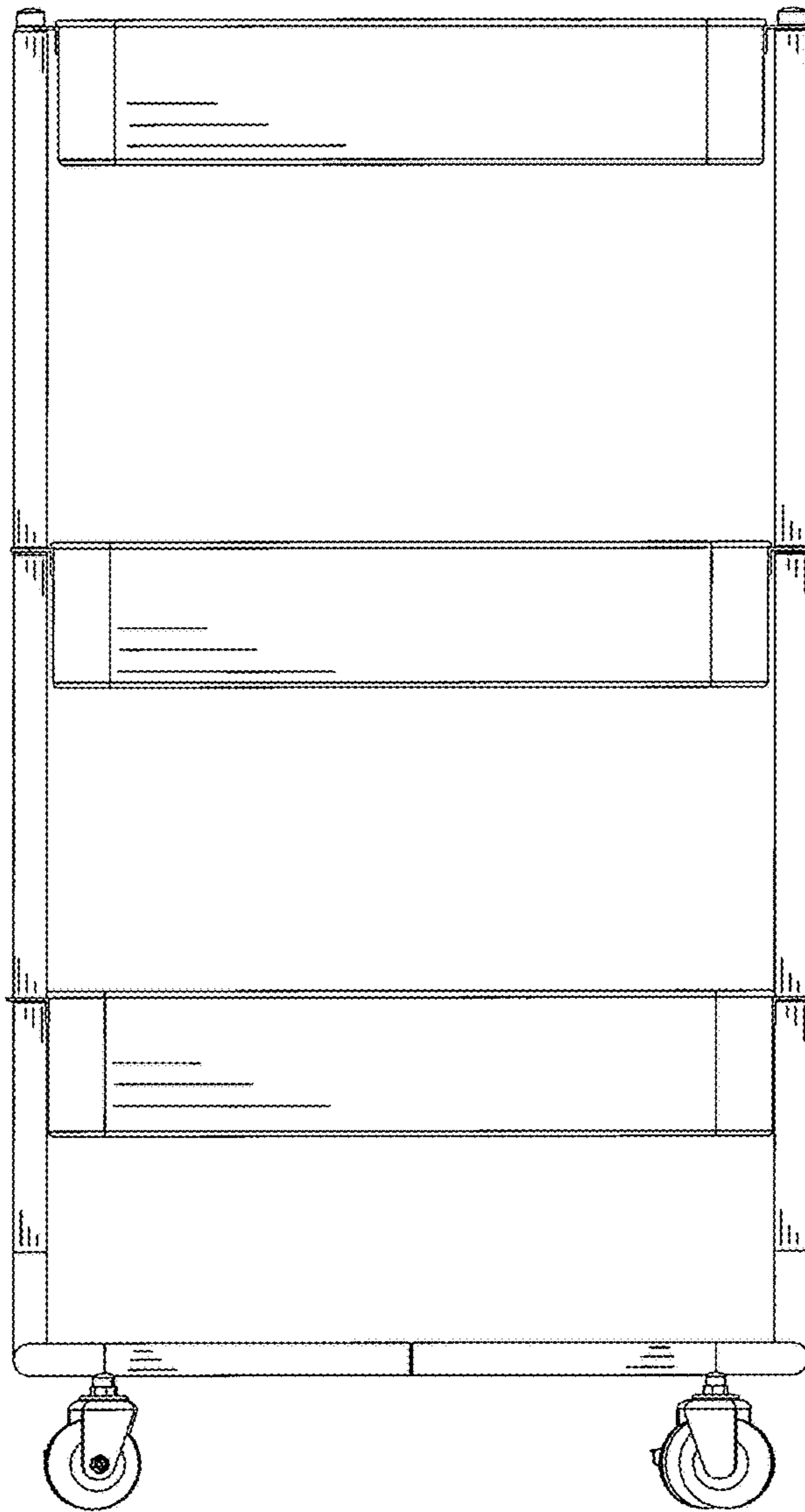


Fig. 2

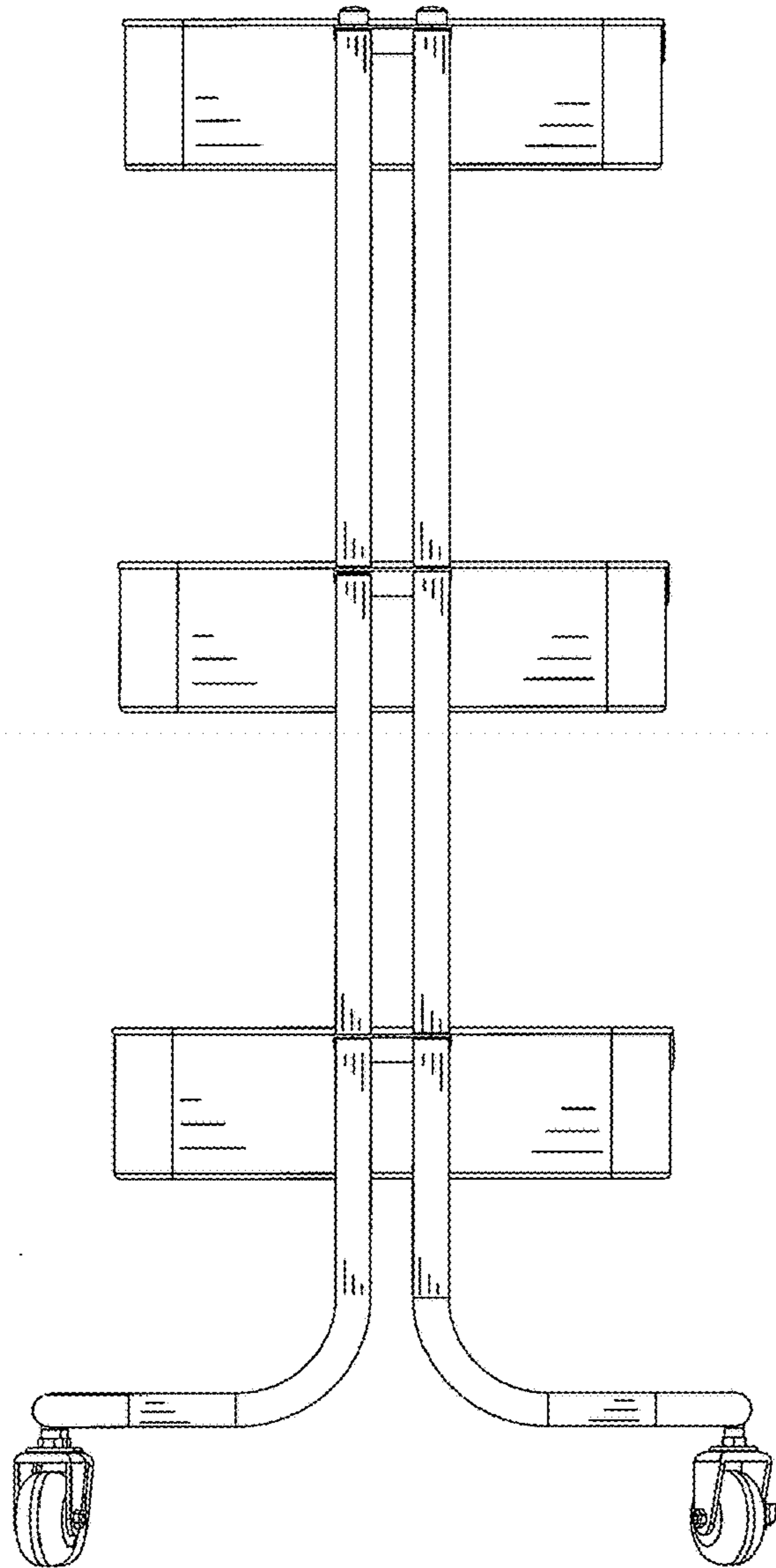


Fig. 3

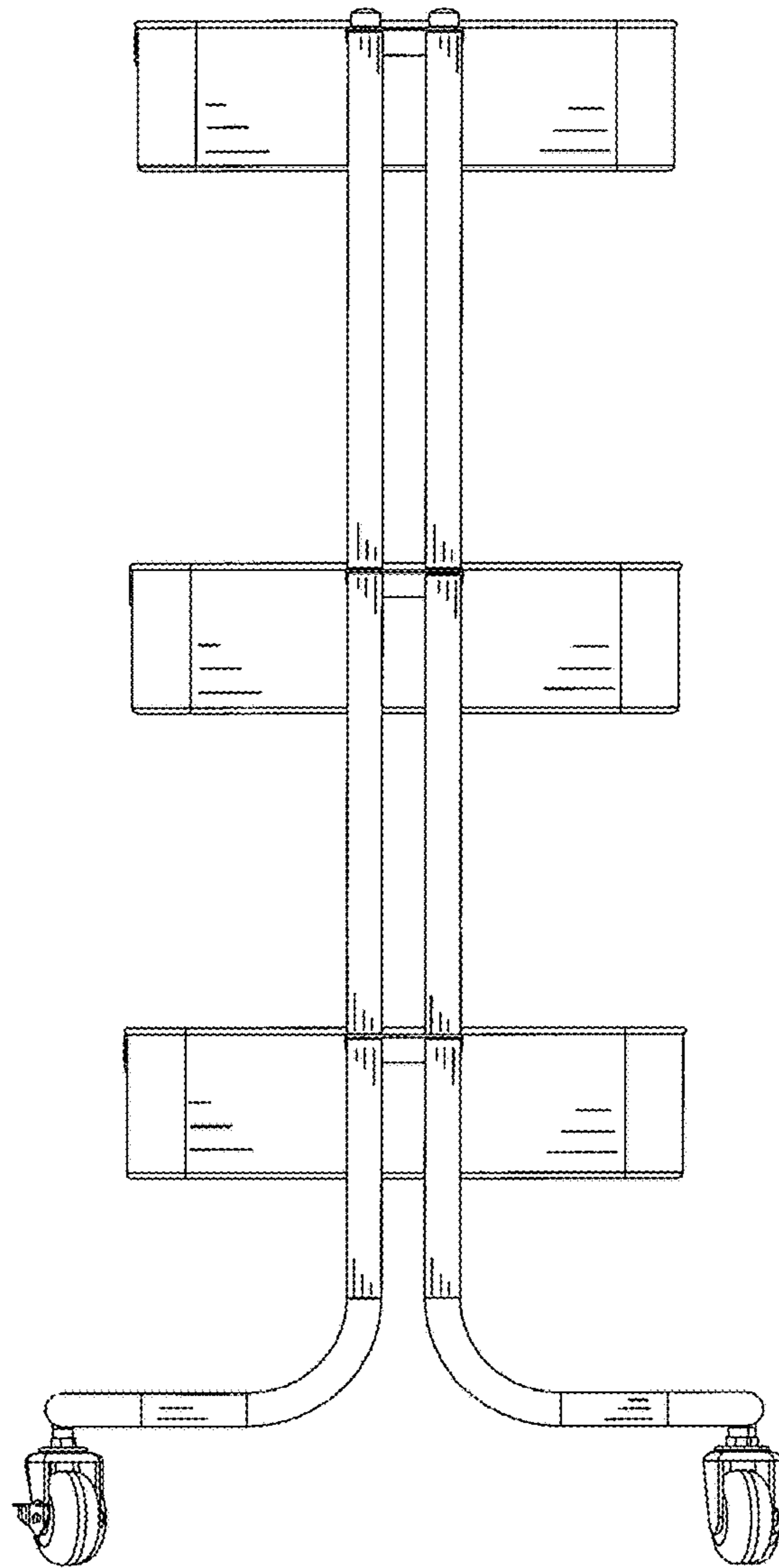


Fig. 4

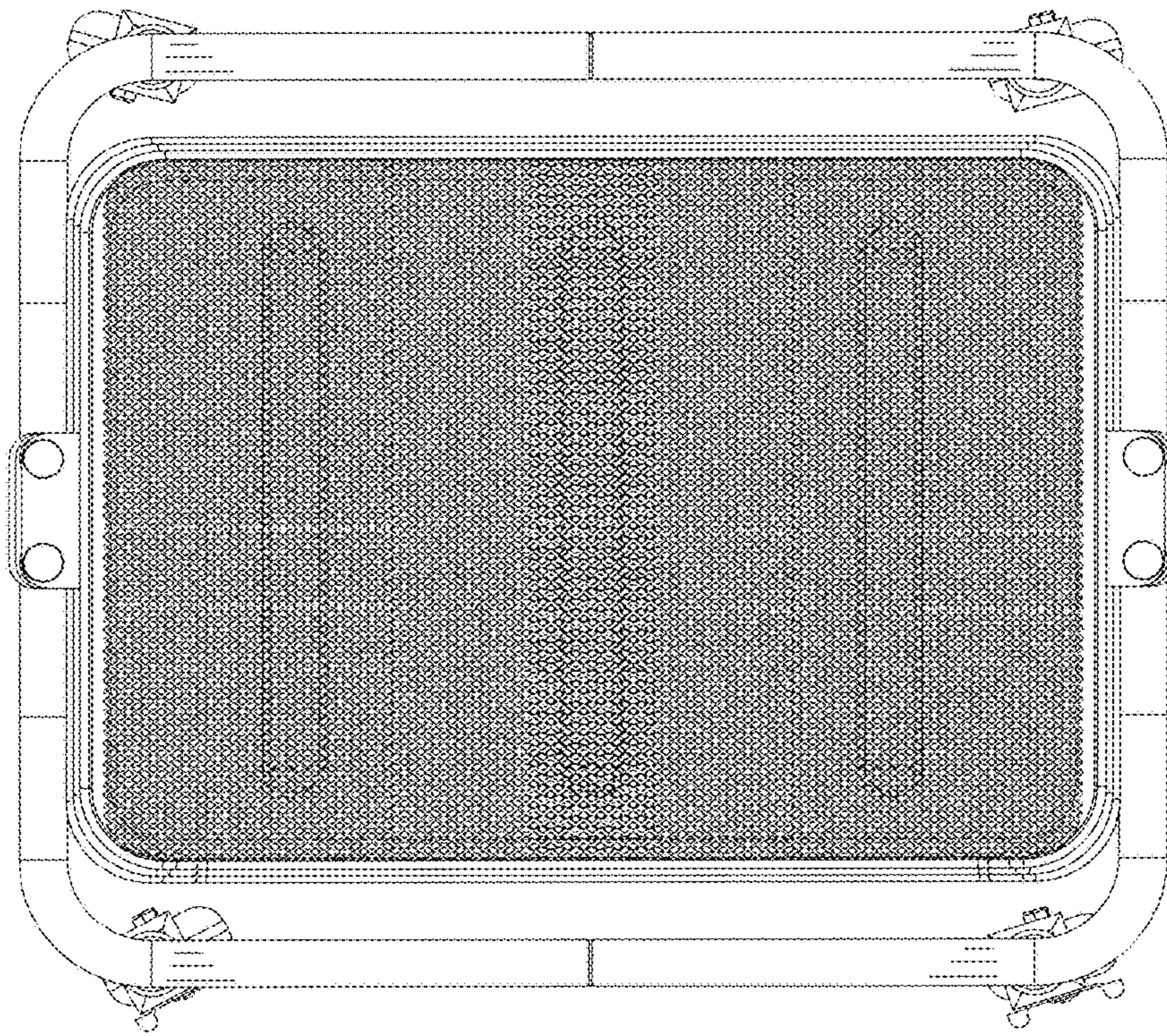


Fig. 5

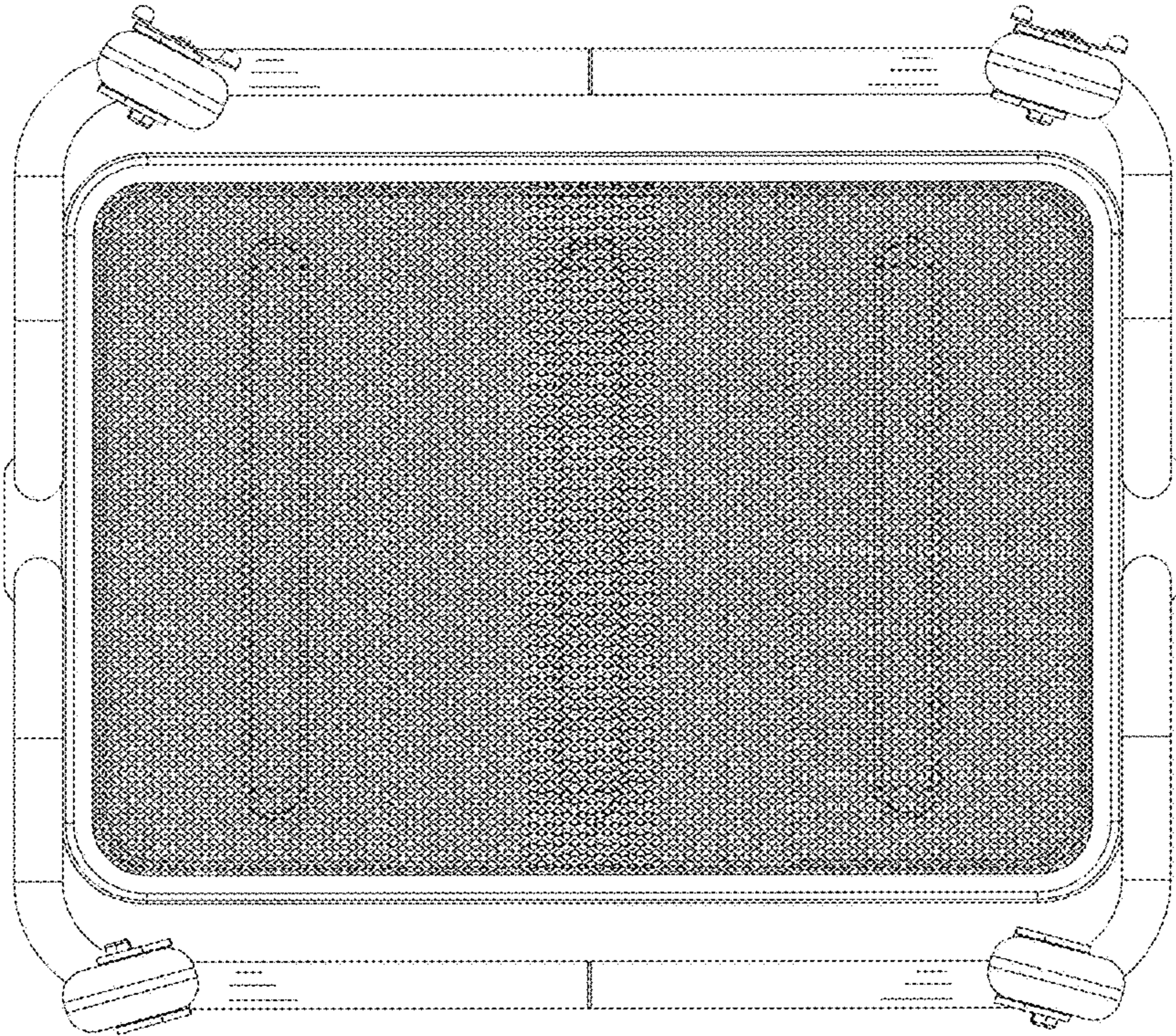


Fig. 6

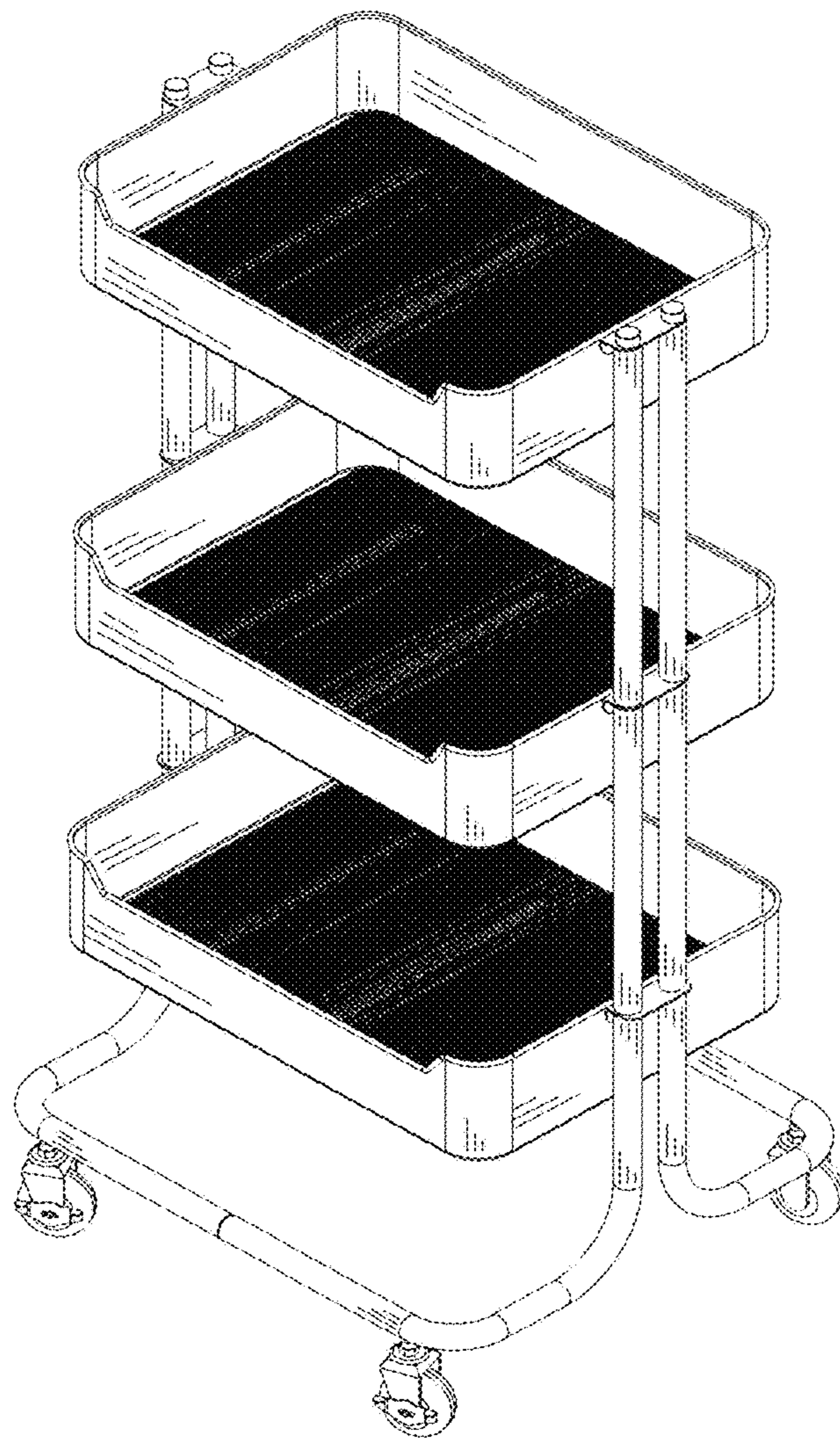


Fig. 7

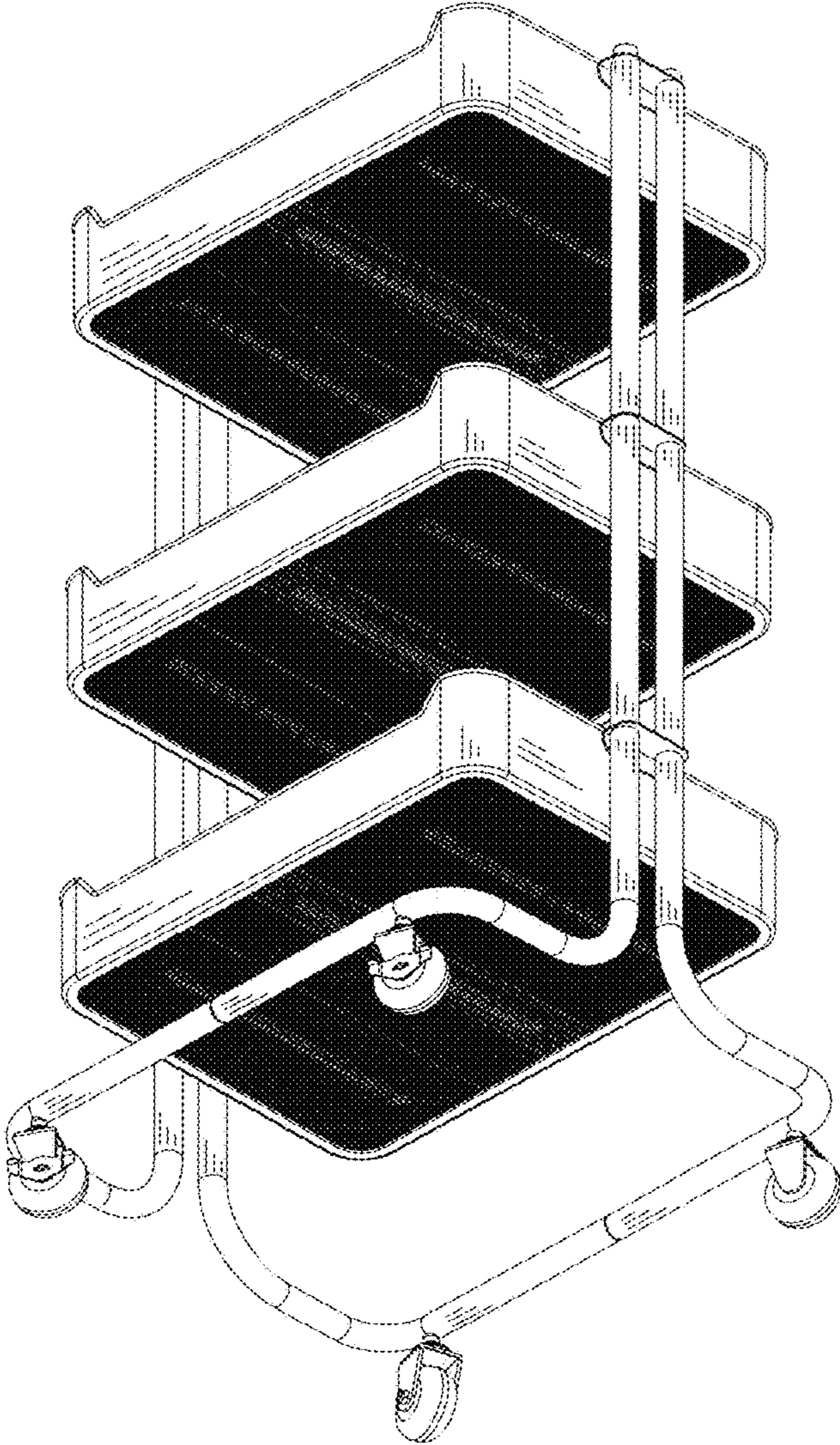


Fig. 8

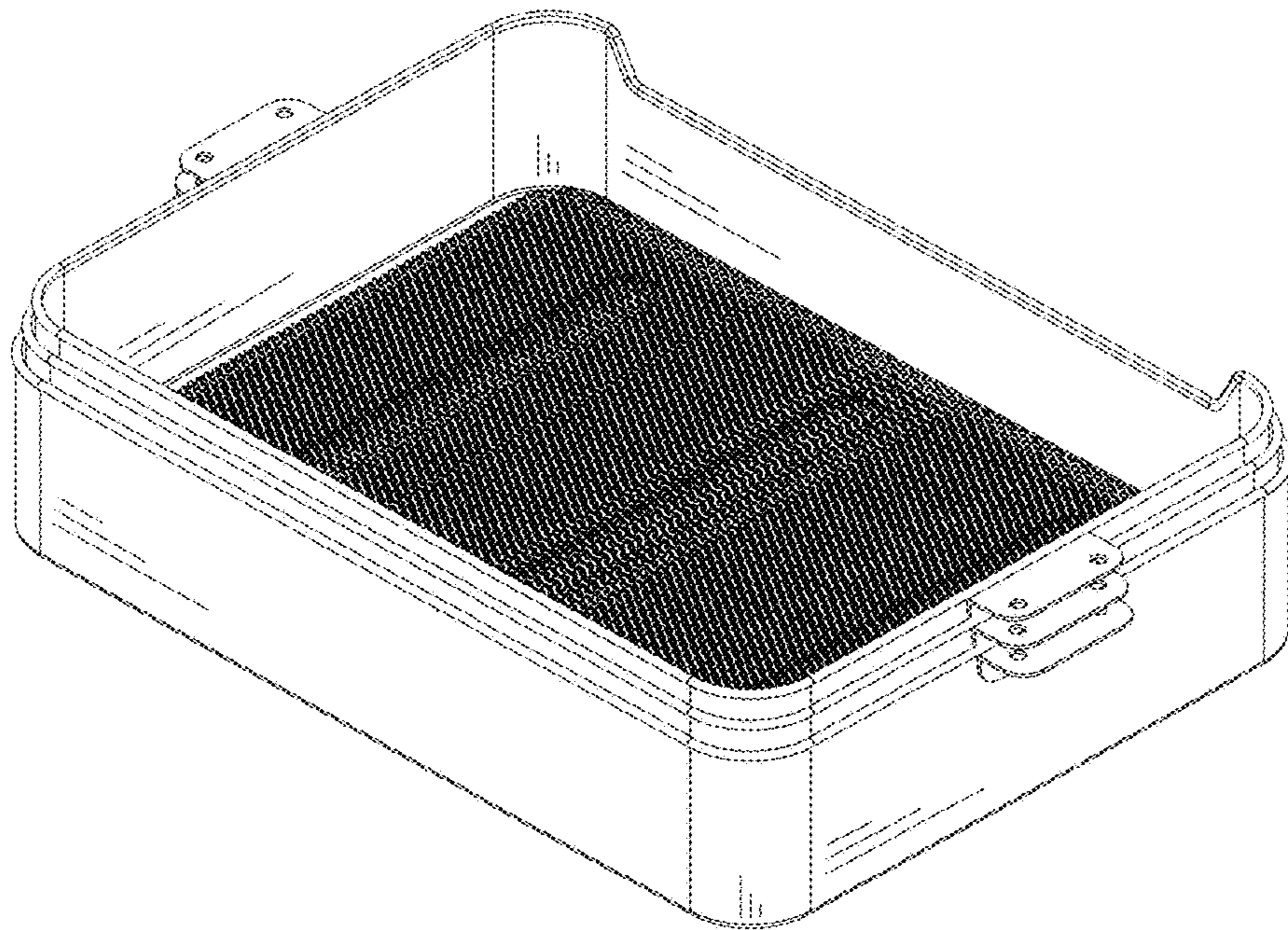


Fig. 9