



US00D850752S

(12) **United States Design Patent** (10) **Patent No.:** **US D850,752 S**
Schumaker et al. (45) **Date of Patent:** **** Jun. 4, 2019**

(54) **LINEN TRUCK**
(71) Applicant: **InterMetro Industries Corporation**,
Wilkes-Barre, PA (US)
(72) Inventors: **Kyle Steven Schumaker**, Greer, SC
(US); **Jeffrey C. Olson**, Dallas, PA
(US)
(73) Assignee: **INTERMETRO INDUSTRIES**
CORPORATION, Wilkes-Barre, PA
(US)

D370,328 S * 5/1996 Mathews D34/19
D393,128 S * 3/1998 Maddux D34/14
D415,328 S * 10/1999 Uehara
D424,266 S * 5/2000 McIntyre D34/12
D424,883 S 5/2000 Jarvis
D427,404 S 6/2000 Glass
D452,357 S * 12/2001 Stravitz D34/17
6,501,057 B1 12/2002 Jarvis
D509,938 S * 9/2005 Belmont D34/12
D565,824 S * 4/2008 Mueller D22/113
D649,317 S * 11/2011 Nolin D34/12

(Continued)

(**) Term: **15 Years**
(21) Appl. No.: **29/602,957**
(22) Filed: **May 5, 2017**

OTHER PUBLICATIONS

“Linen Truck CLT Series” InterMetro [Catalog], InterMetro Industries Corporation, Apr. 2002, two pages.

(Continued)

Primary Examiner — Cynthia Ramirez

(74) *Attorney, Agent, or Firm* — Harness, Dickey & Pierce, P.L.C.

Related U.S. Application Data

(62) Division of application No. 29/539,505, filed on Sep. 15, 2015, now Pat. No. Des. 789,641.

(51) **LOC (11) Cl.** **12-02**

(52) **U.S. Cl.**
USPC **D34/21**

(58) **Field of Classification Search**
USPC D34/12, 14, 19, 21, 25
CPC B62B 3/002; A47B 31/00; A47B 57/06;
A47B 97/00; A47B 2031/003
See application file for complete search history.

(57) **CLAIM**

The ornamental design for a linen truck, as shown and described.

DESCRIPTION

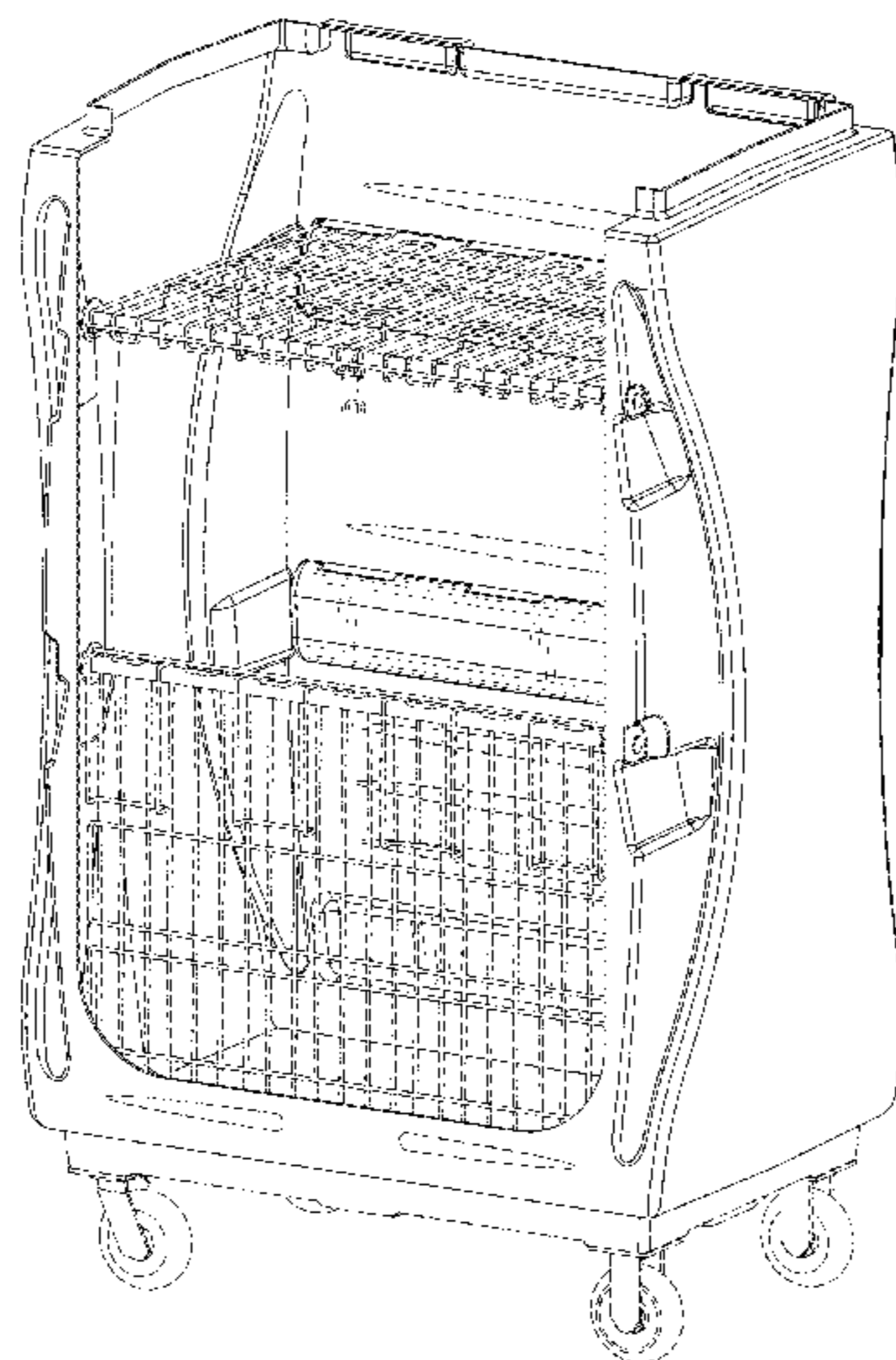
FIG. 1 is an isometric view of a linen truck showing our new design;
FIG. 2 is an isometric view of the linen truck of FIG. 1 with the racks removed for clarity;
FIG. 3 is a front view of the linen truck of FIG. 1;
FIG. 4 is a back view of the linen truck of FIG. 1;
FIG. 5 is a top view of the linen truck of FIG. 1;
FIG. 6 is a bottom view of the linen truck of FIG. 1; and,
FIG. 7 is a right side view of the linen truck of FIG. 1, the left side being a mirror image thereof.
The broken lines in the figures represent portions of the linen truck that form no part of the claimed design.

(56) **References Cited**

U.S. PATENT DOCUMENTS

3,861,768 A 1/1975 Wilson
D257,965 S 1/1981 Bacskay
D313,099 S * 12/1990 Tasley D34/12
D320,683 S * 10/1991 Welch D34/17
D327,967 S 7/1992 Hikawa
D337,191 S * 7/1993 Ibrahim D34/12
D357,781 S 4/1995 Crinion
D362,101 S 9/1995 Maddux

1 Claim, 6 Drawing Sheets



(56)

References Cited

U.S. PATENT DOCUMENTS

D679,467	S	4/2013	Nicholson	
D679,468	S *	4/2013	Nicholson	D34/19
D685,154	S *	6/2013	Ambrefe, Jr.	D34/12
D697,685	S	1/2014	Maddux	
D708,809	S	7/2014	Maddux	
D721,815	S *	1/2015	Lura	D24/185
D723,237	S	2/2015	Maddux	
D767,230	S	9/2016	Olson	
D789,014	S *	6/2017	Schumaker	D34/25
D789,641	S *	6/2017	Schumaker	D34/21
D810,381	S *	2/2018	Prichard	D34/28
D826,508	S *	8/2018	Cacioppo	D34/12
2012/0194050	A1	8/2012	Suess	
2013/0307387	A1	11/2013	Dufoure	

OTHER PUBLICATIONS

“Metro Mobile Soiled Linen Cart Model T68A” InterMetro [Catalog], InterMetro Industries Corporation, Mar. 1998, two pages.
“Metro Clean Linen Handling Carts” InterMetro [Brochure], InterMetro Industries Corporation, 2004, one page.
“MetroTrux Bulk and Convertible Linen Trux” InterMetro [Catalog], InterMetro Industries Corporation, Dec. 2008, two pages.

* cited by examiner

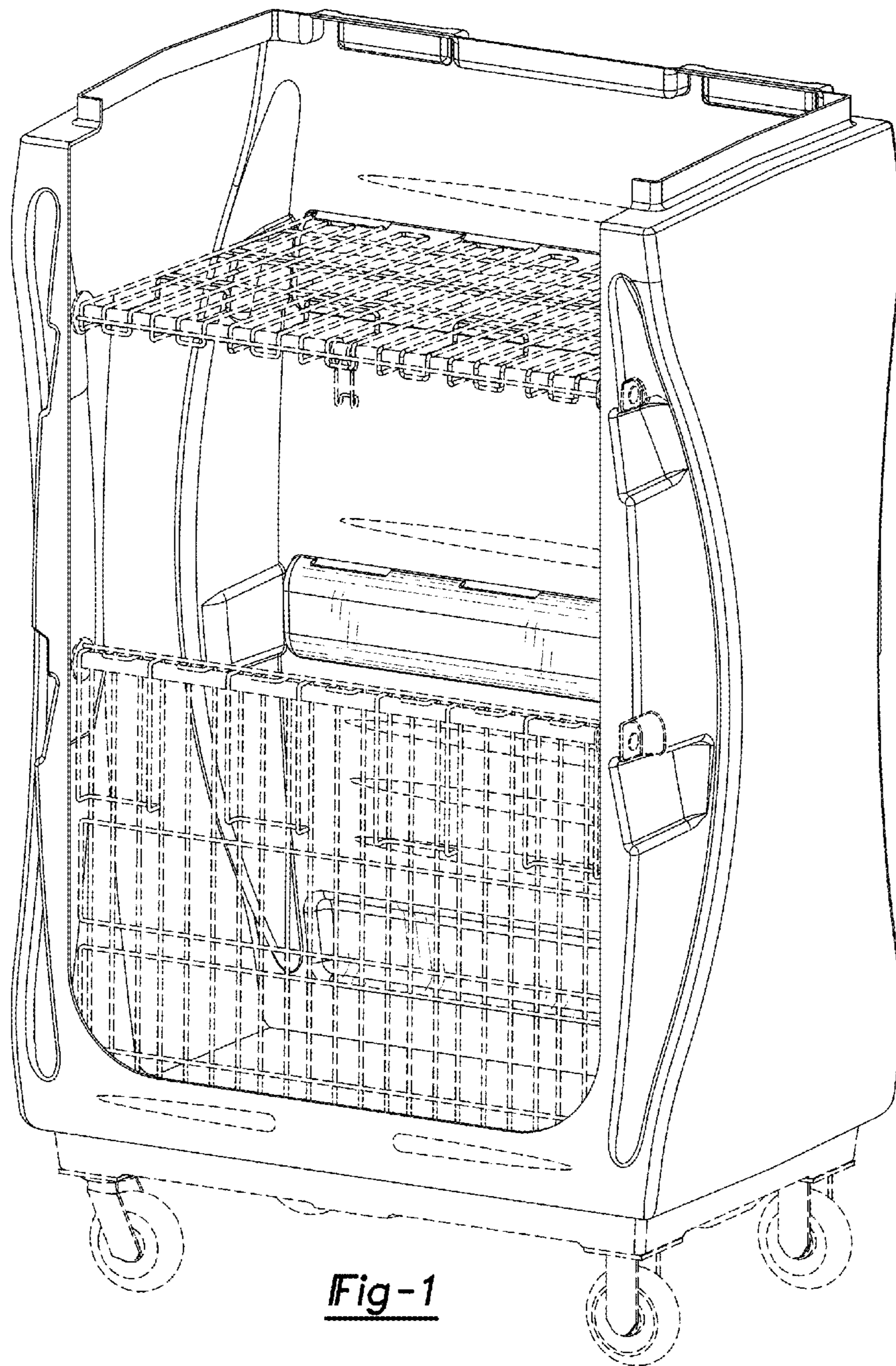


Fig-1

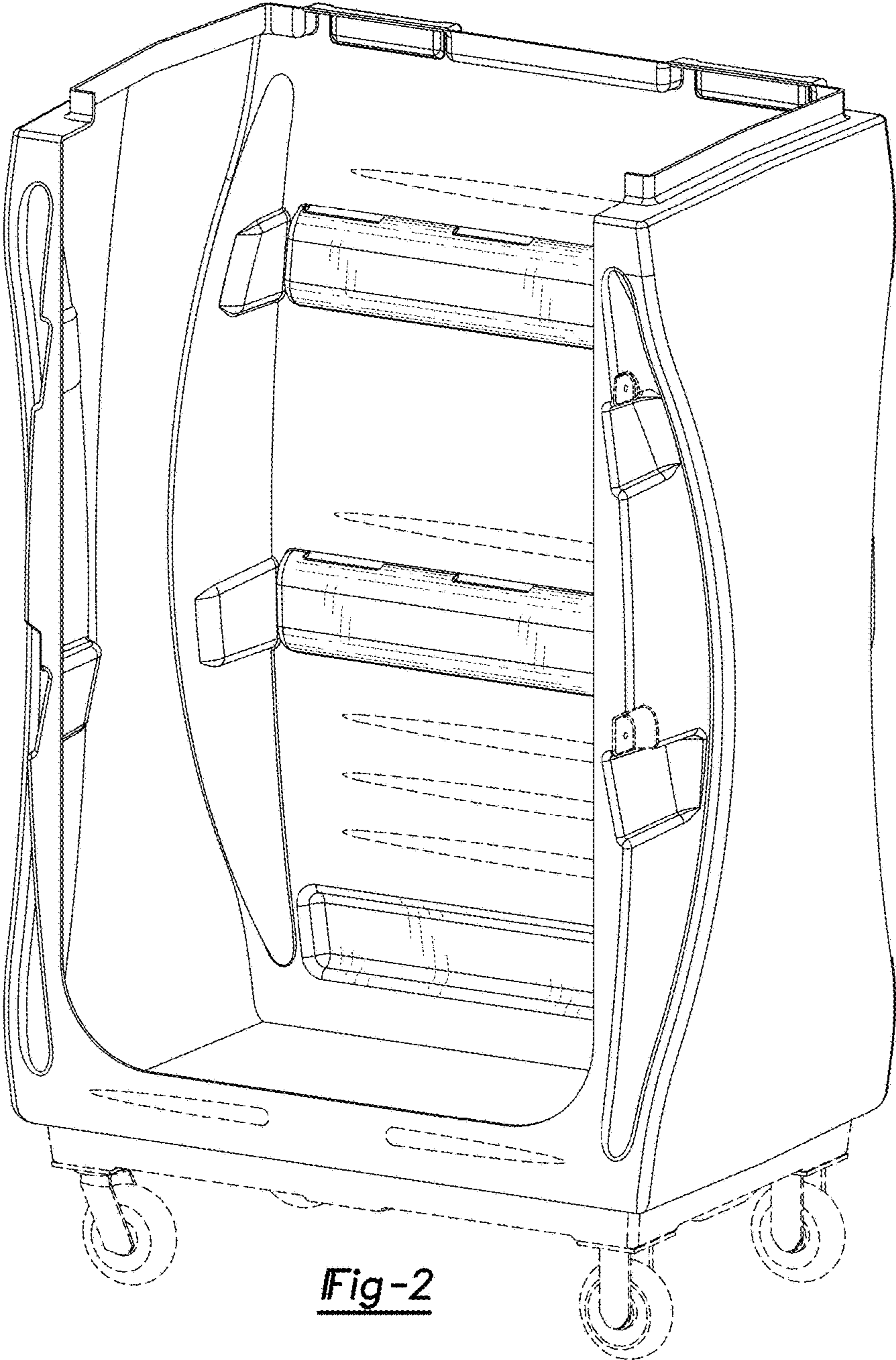


Fig-2

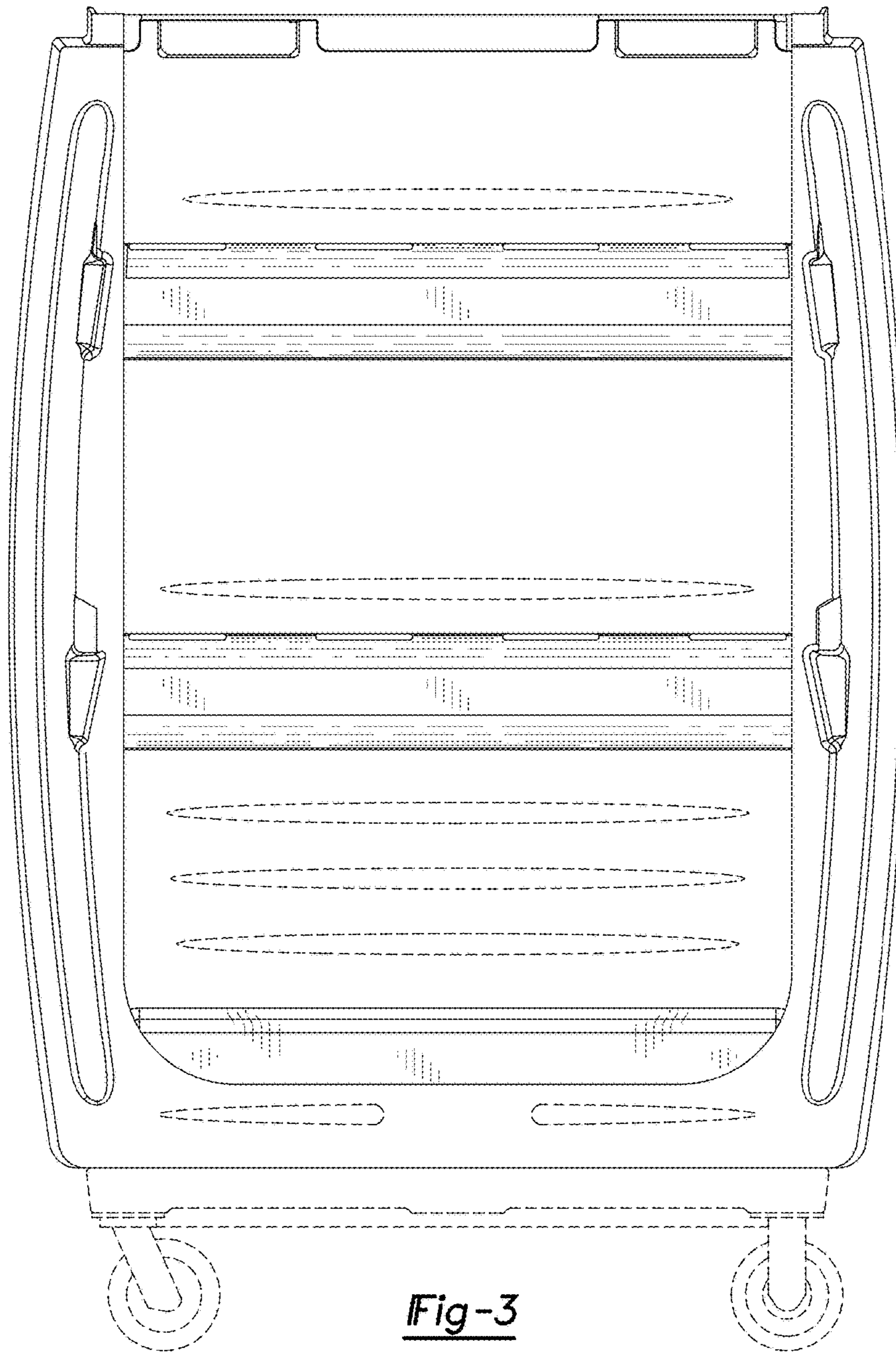


Fig-3

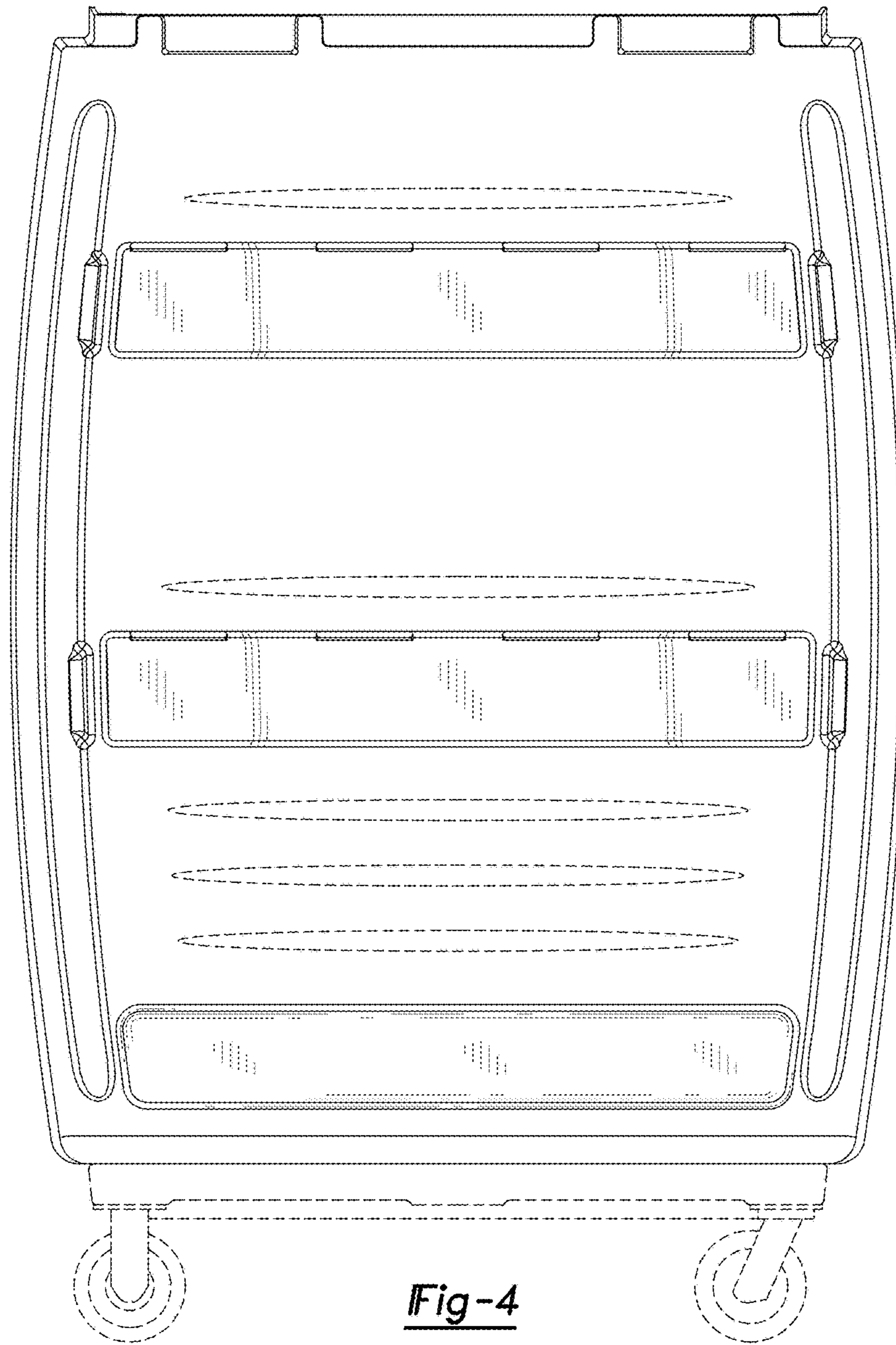


Fig-4

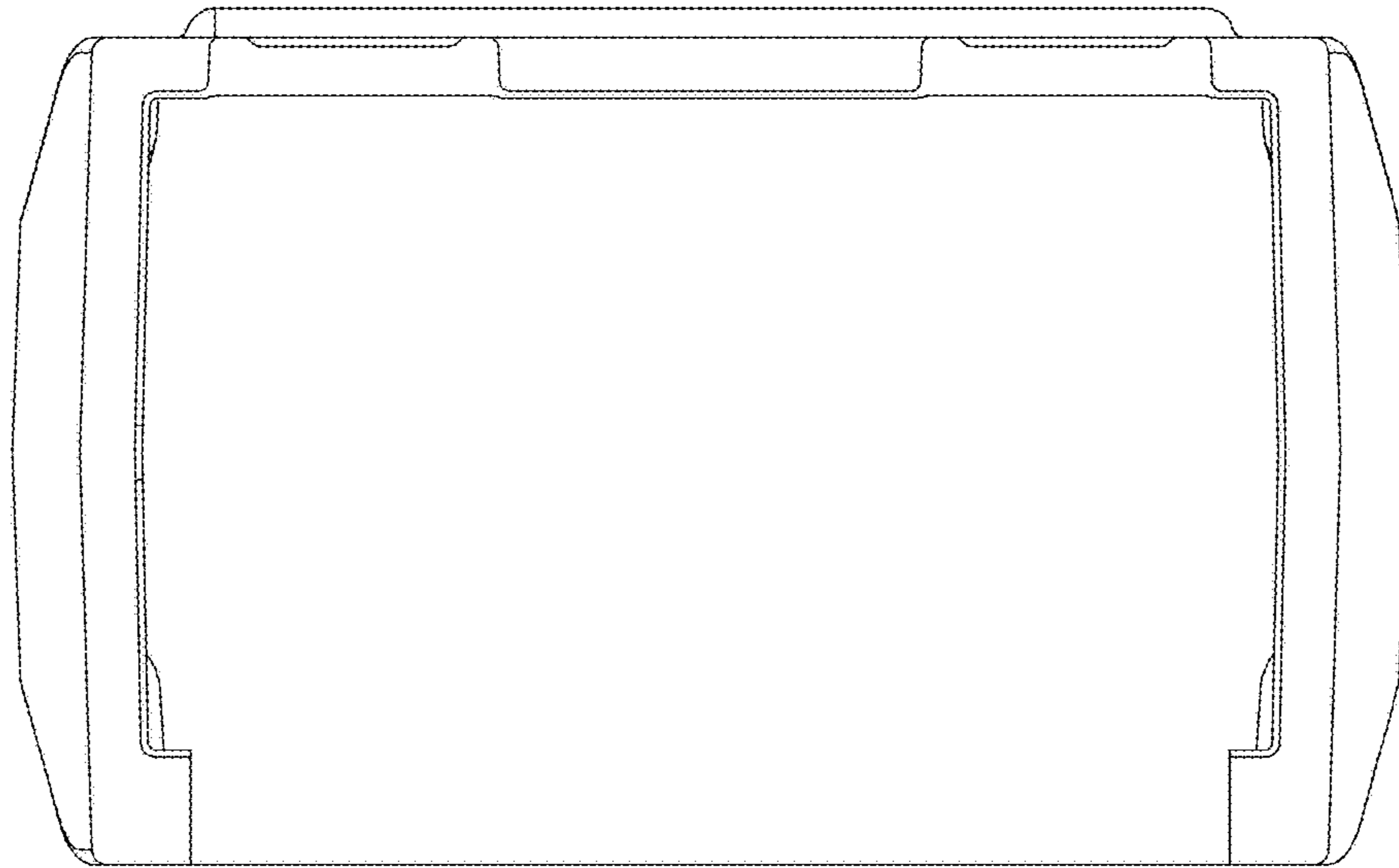


Fig-5

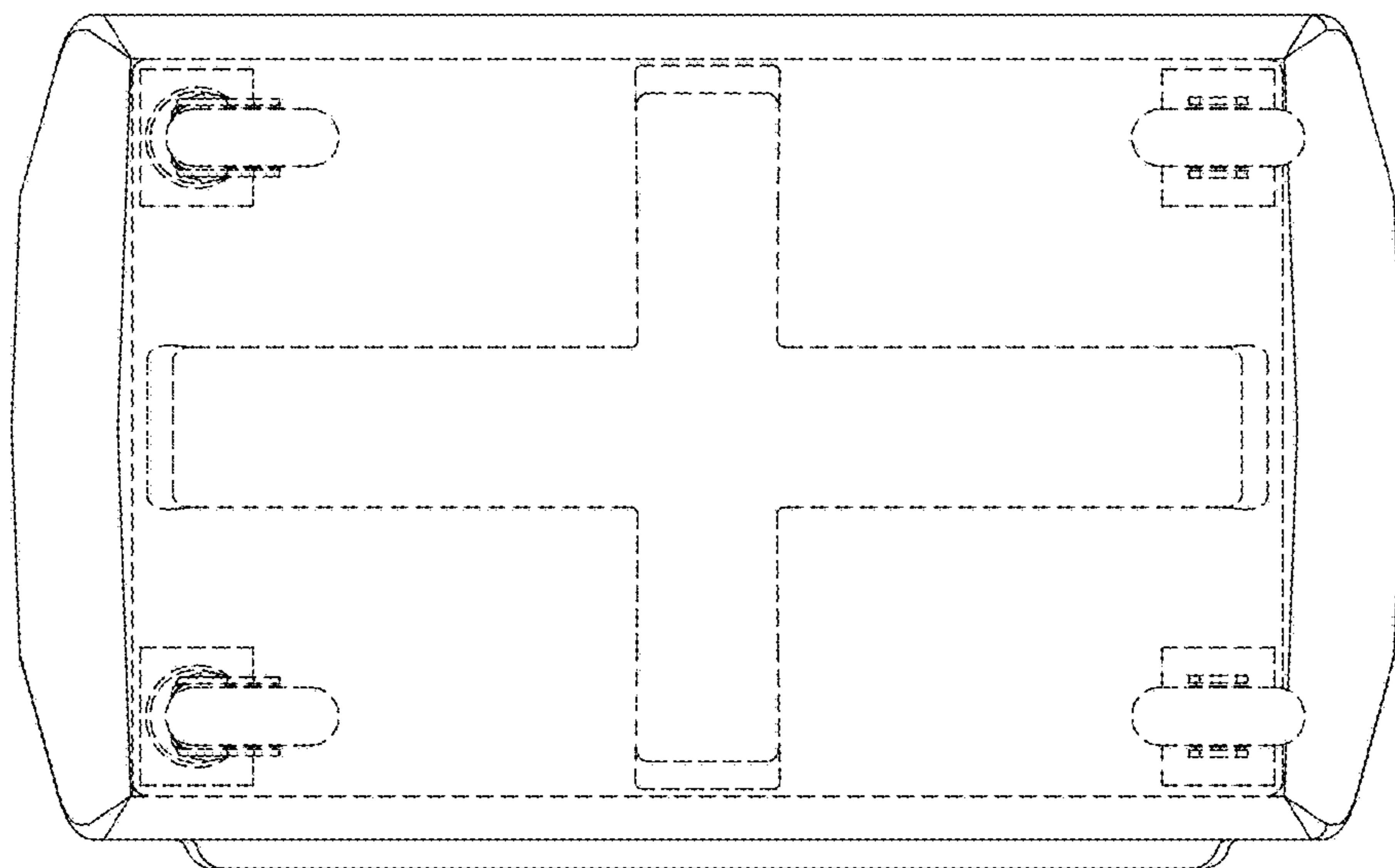


Fig-6

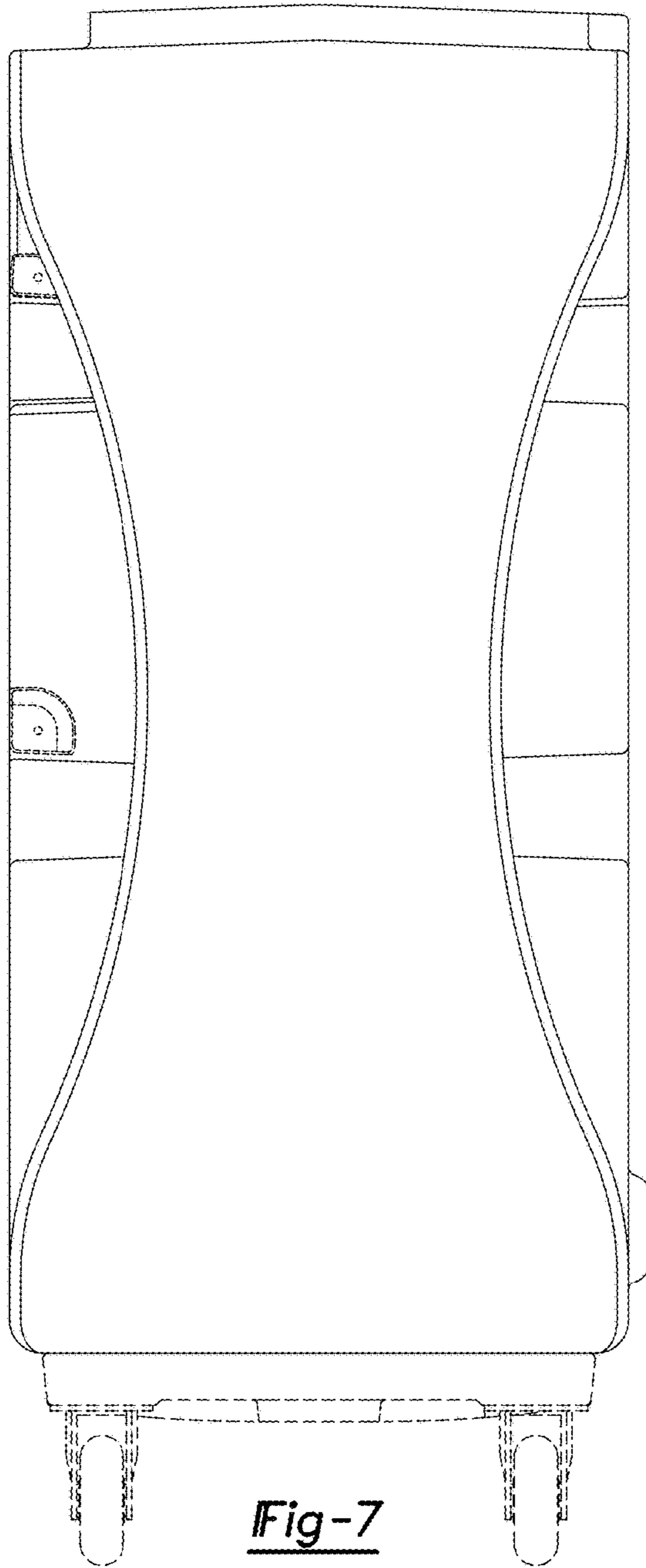


Fig-7