



US00D850750S

(12) **United States Design Patent**
Cuellar

(10) **Patent No.:** **US D850,750 S**

(45) **Date of Patent:** **** Jun. 4, 2019**

(54) **POWER SOURCE STORAGE CART**

(71) Applicant: **Homer R. Cuellar**, Guaynabo, PR (US)

(72) Inventor: **Homer R. Cuellar**, Guaynabo, PR (US)

(**) Term: **15 Years**

(21) Appl. No.: **29/653,916**

(22) Filed: **Jun. 19, 2018**

(51) **LOC (11) Cl.** **12-02**

(52) **U.S. Cl.**
USPC **D34/19**

(58) **Field of Classification Search**

USPC D34/12, 14, 19, 20, 21, 25; D13/103,
D13/112, 109, 122
CPC .. B62B 1/00; B62B 3/002; B62B 3/02; B62B
3/144; B62B 3/00; B62B 3/005; B62B
3/025

See application file for complete search history.

(56) **References Cited**

U.S. PATENT DOCUMENTS

D196,794 S *	11/1963	Gacki	D18/40
D281,363 S *	11/1985	Carvel	D34/14
D329,251 S *	9/1992	Olswold	D18/59
D355,517 S *	2/1995	Campbell	D34/19
D362,101 S *	9/1995	Maddux	D34/19
D450,903 S *	11/2001	Wacker	D34/20
D494,928 S *	8/2004	Fan	D13/112
D703,904 S *	4/2014	Knoll	D34/20
D723,237 S *	2/2015	Maddux	D34/12
D730,825 S *	6/2015	Wang	D13/109
D748,883 S *	2/2016	Fischer, Jr.	D34/25
D763,534 S *	8/2016	Liao	D34/21
D778,832 S *	2/2017	Wang	D13/109
D796,145 S *	8/2017	Ruttan	D34/19

D821,675 S * 6/2018 Burns D34/5
2013/0200584 A1* 8/2013 Guasta B62B 3/005
280/79.2
2017/0340105 A1* 11/2017 Knighton A47B 31/00

* cited by examiner

Primary Examiner — Cynthia Ramirez

(74) *Attorney, Agent, or Firm* — Hogleund & Pamas,
PSC; Roberto J. Rios

(57) **CLAIM**

The ornamental design for a power source storage cart, as shown and described.

DESCRIPTION

FIG. 1 is a side perspective view of a power source storage cart.

FIG. 2 is a front view of the power source storage cart of FIG. 1.

FIG. 3 is a right side view of the power source storage cart of FIG. 1.

FIG. 4 is a left side view of the power source storage cart of FIG. 1.

FIG. 5 is a rear side view of the power source storage cart of FIG. 1.

FIG. 6 is a top view of the power source storage cart of FIG. 1.

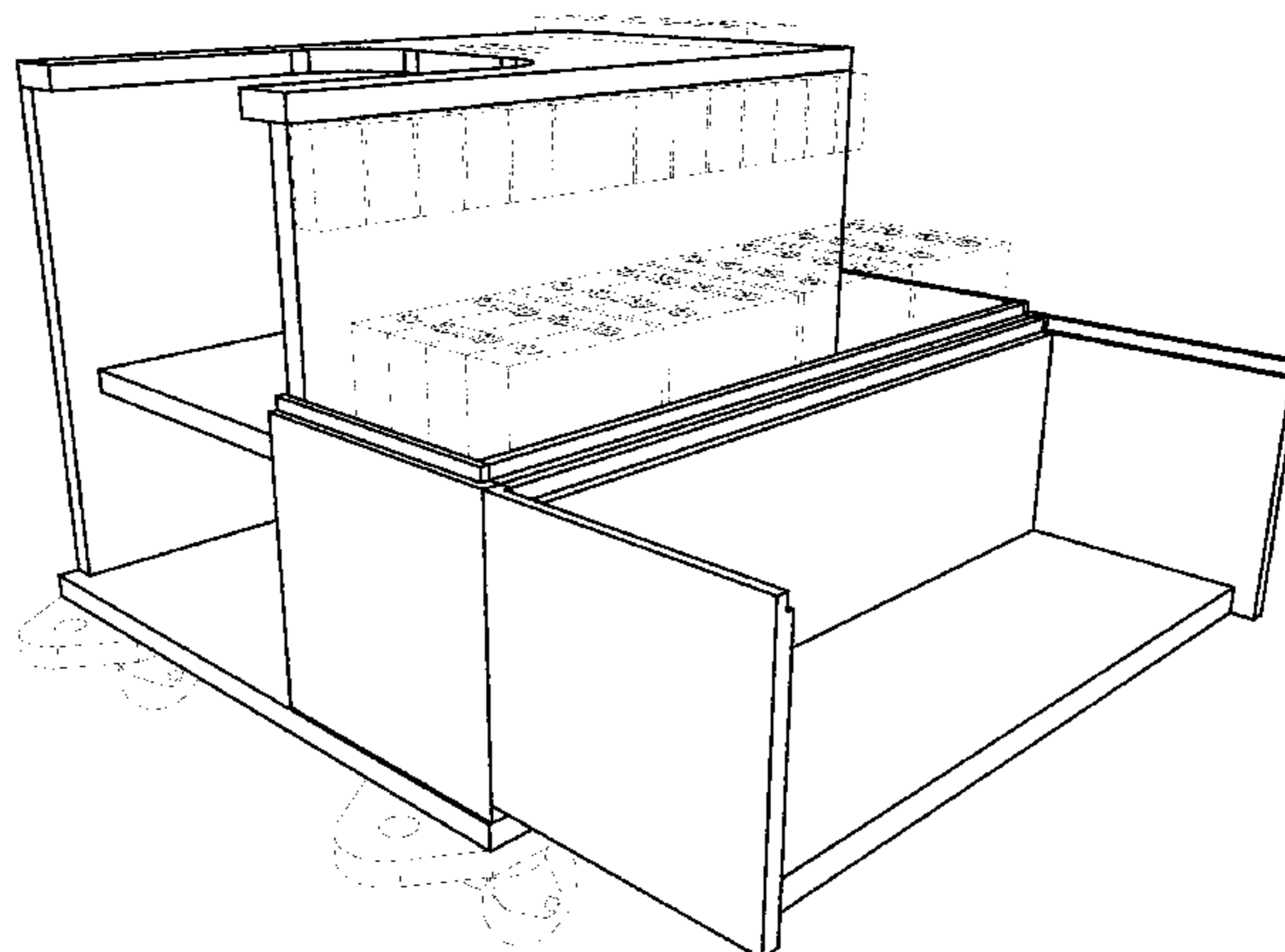
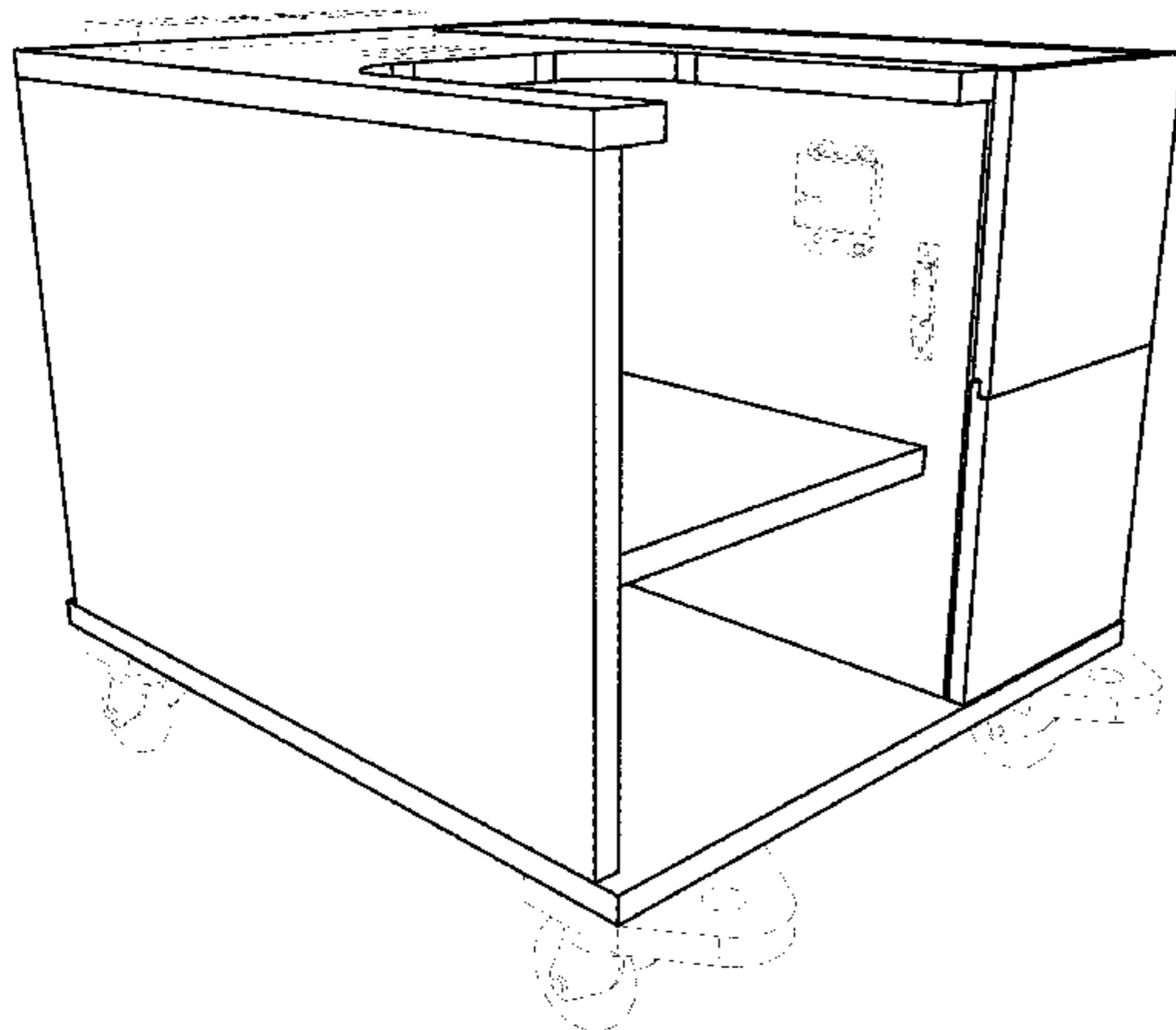
FIG. 7 is a bottom view of the power source storage cart of FIG. 1.

FIG. 8 is a top view of the power source storage cart of FIG. 1 with a compartment door open; and,

FIG. 9 is another side perspective view of the power source storage cart of FIG. 1 with a compartment door open.

The broken lines are for the purpose of illustrating the environment of the design only and form no part of the claimed design.

1 Claim, 9 Drawing Sheets



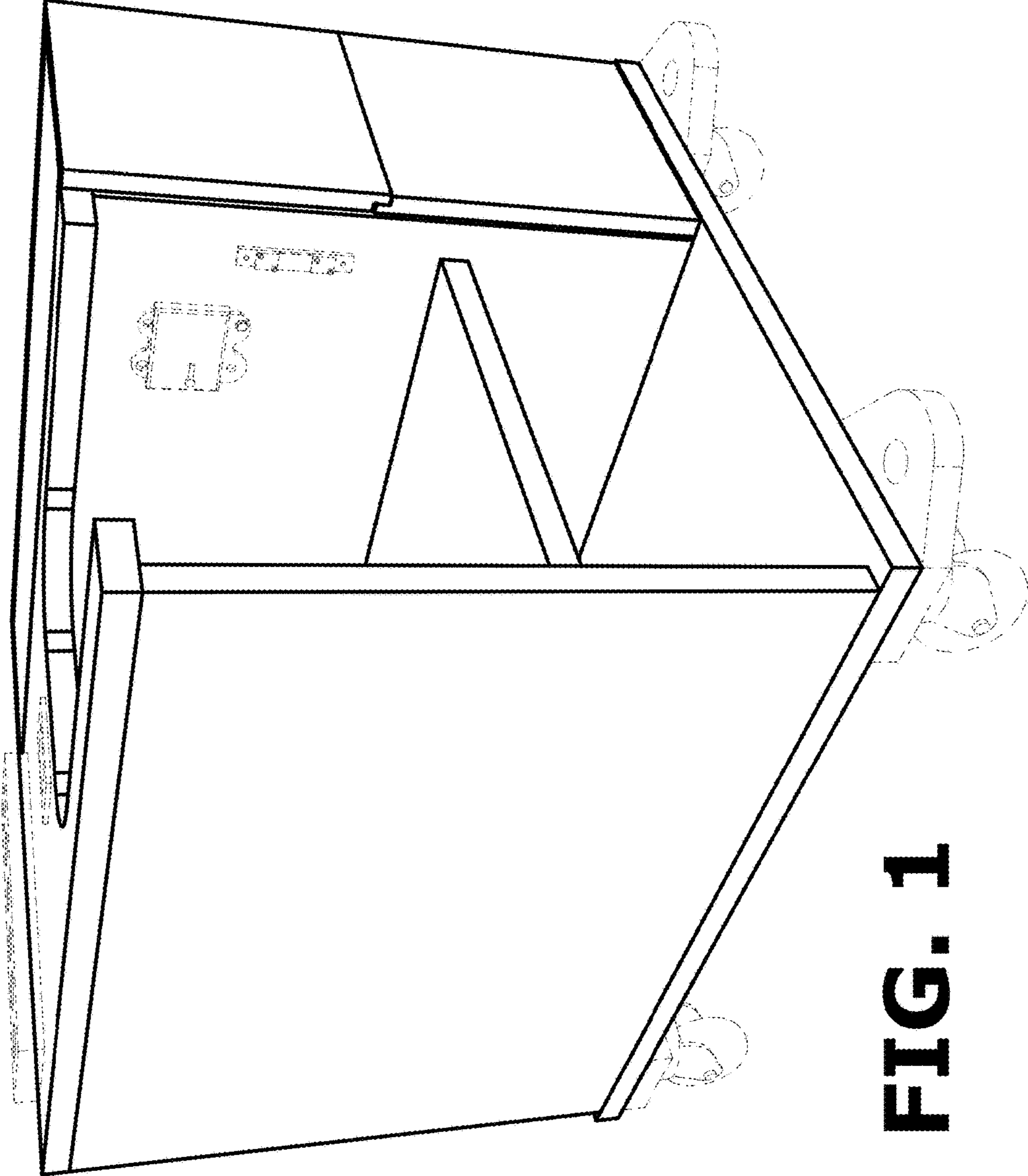


FIG. 1

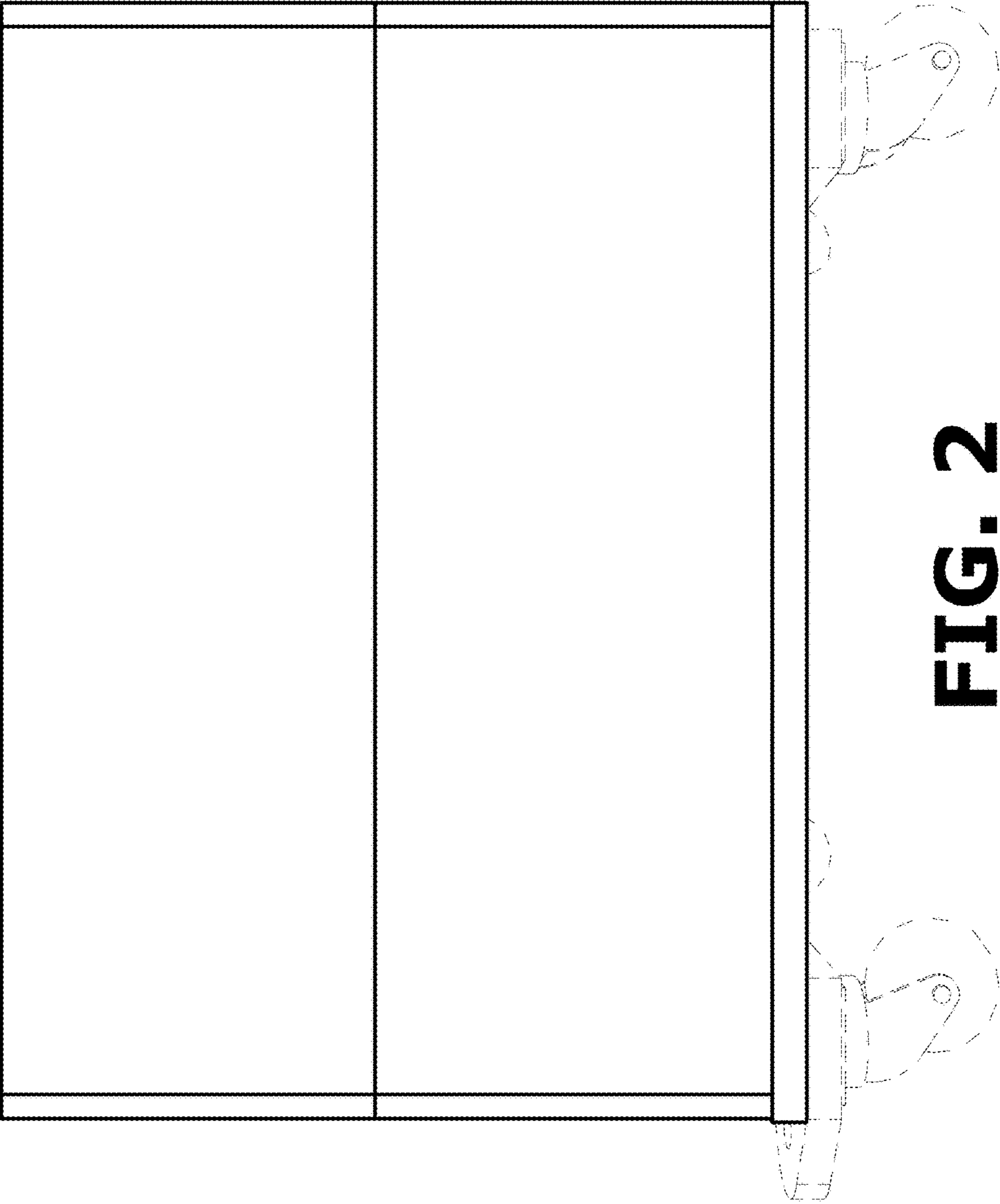
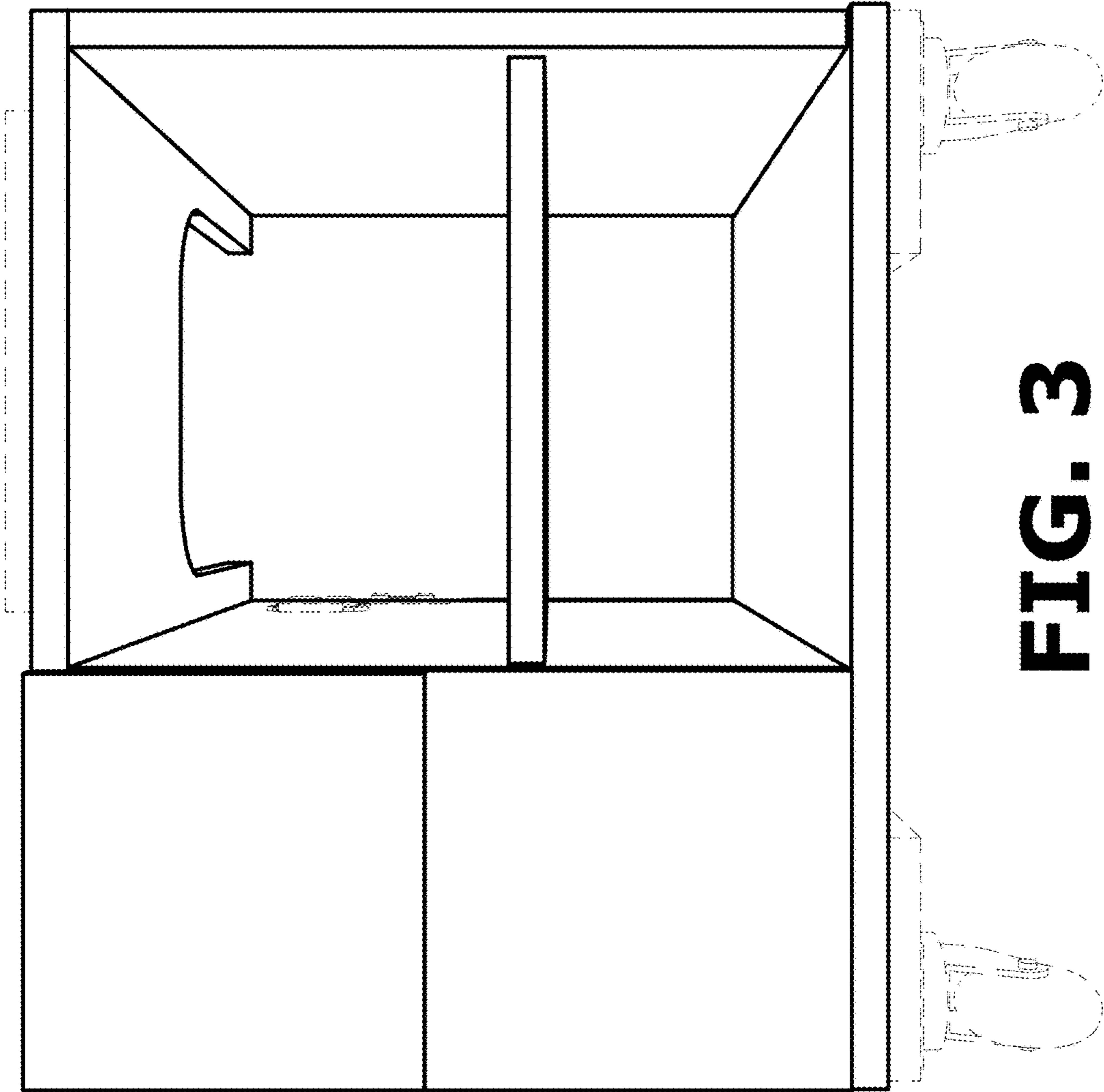


FIG. 2



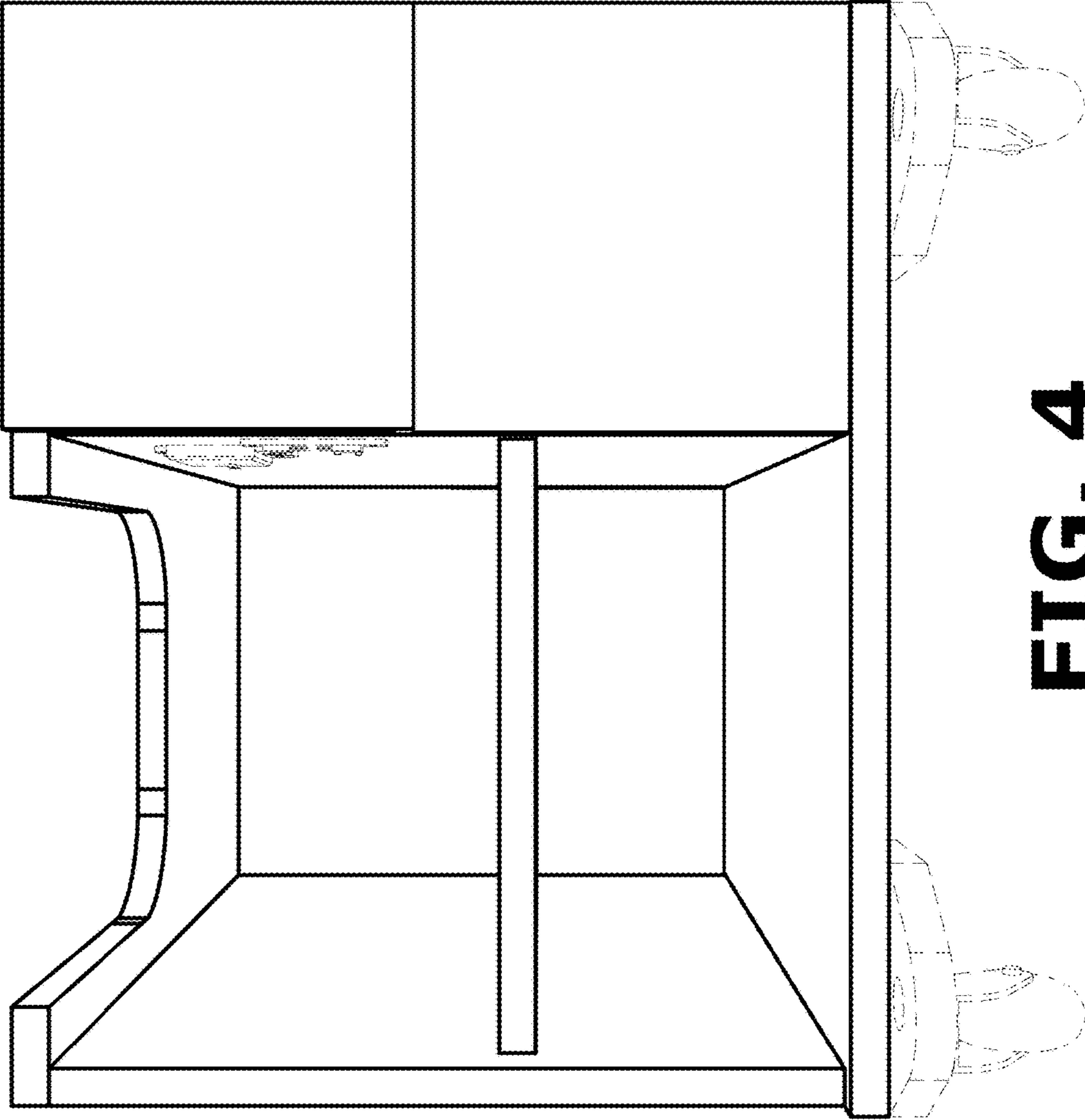


FIG. 4

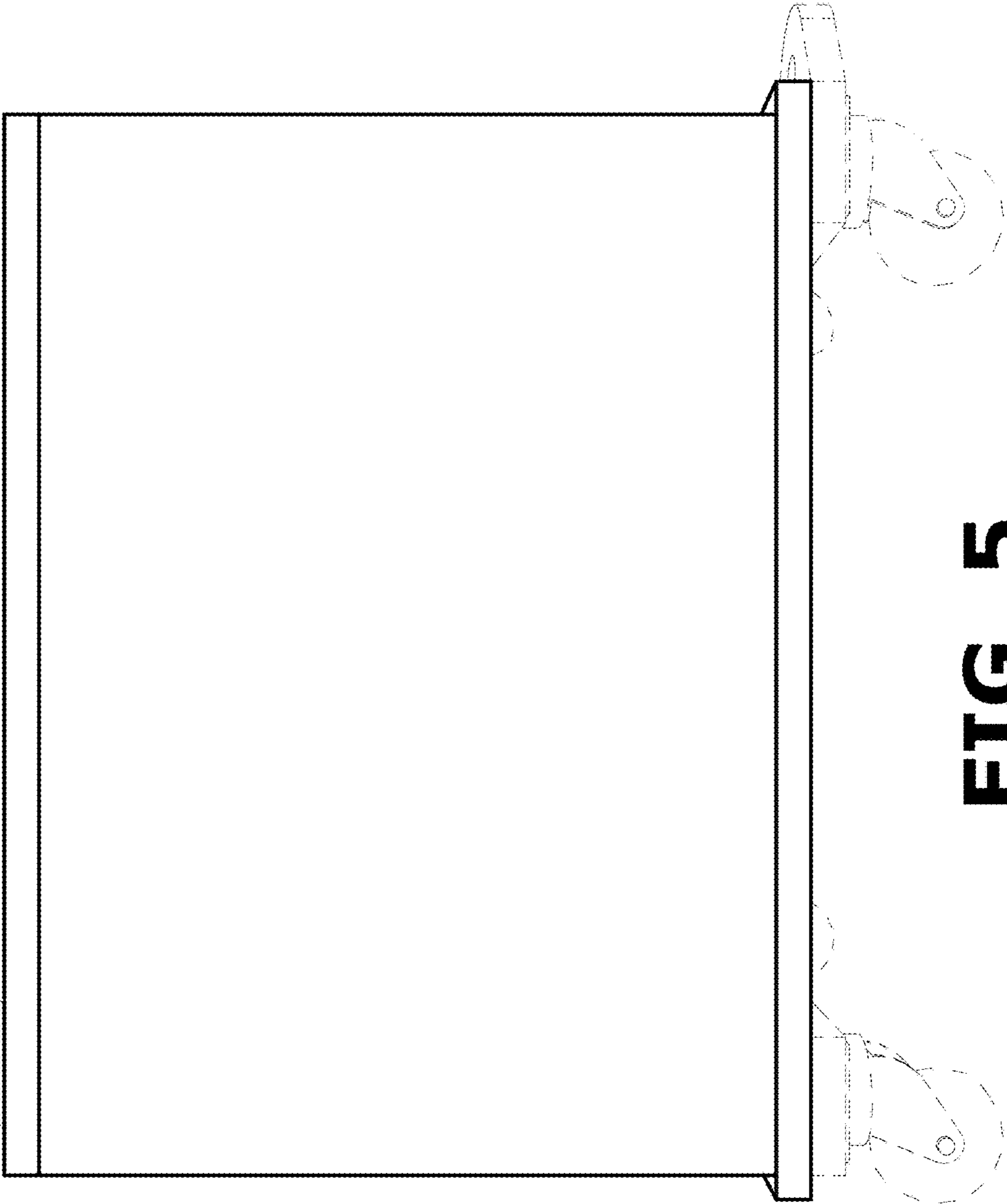


FIG. 5

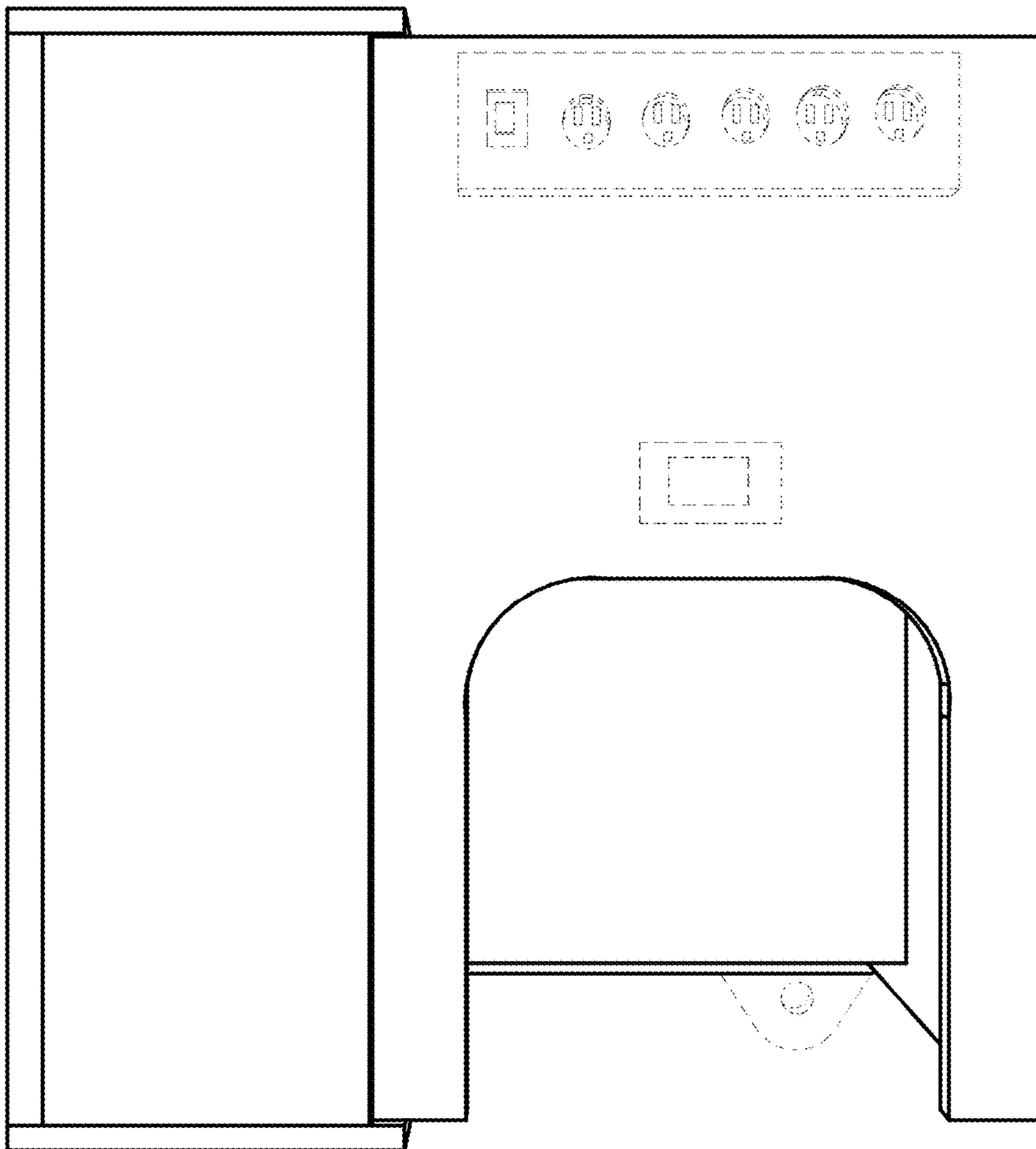


FIG. 6

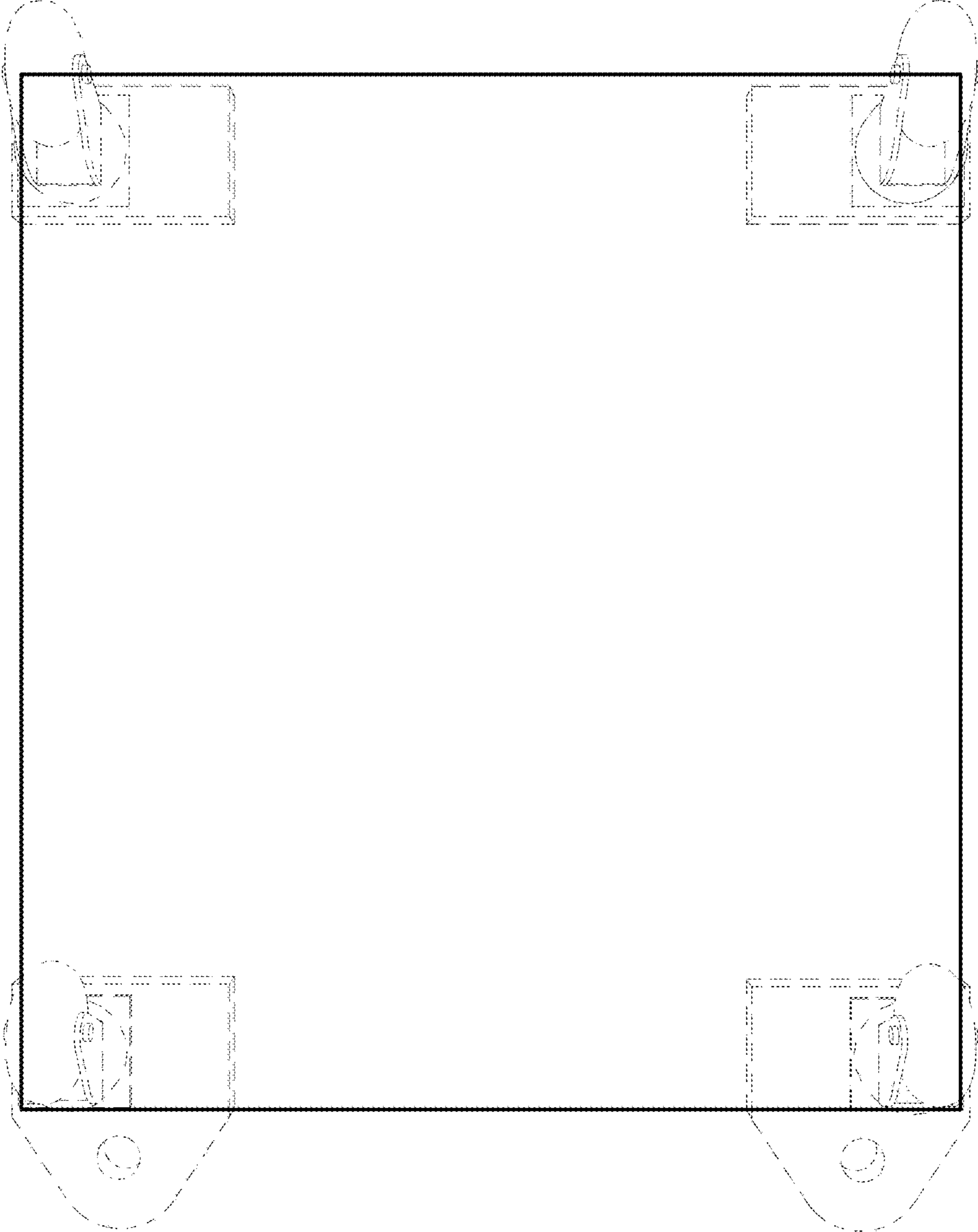
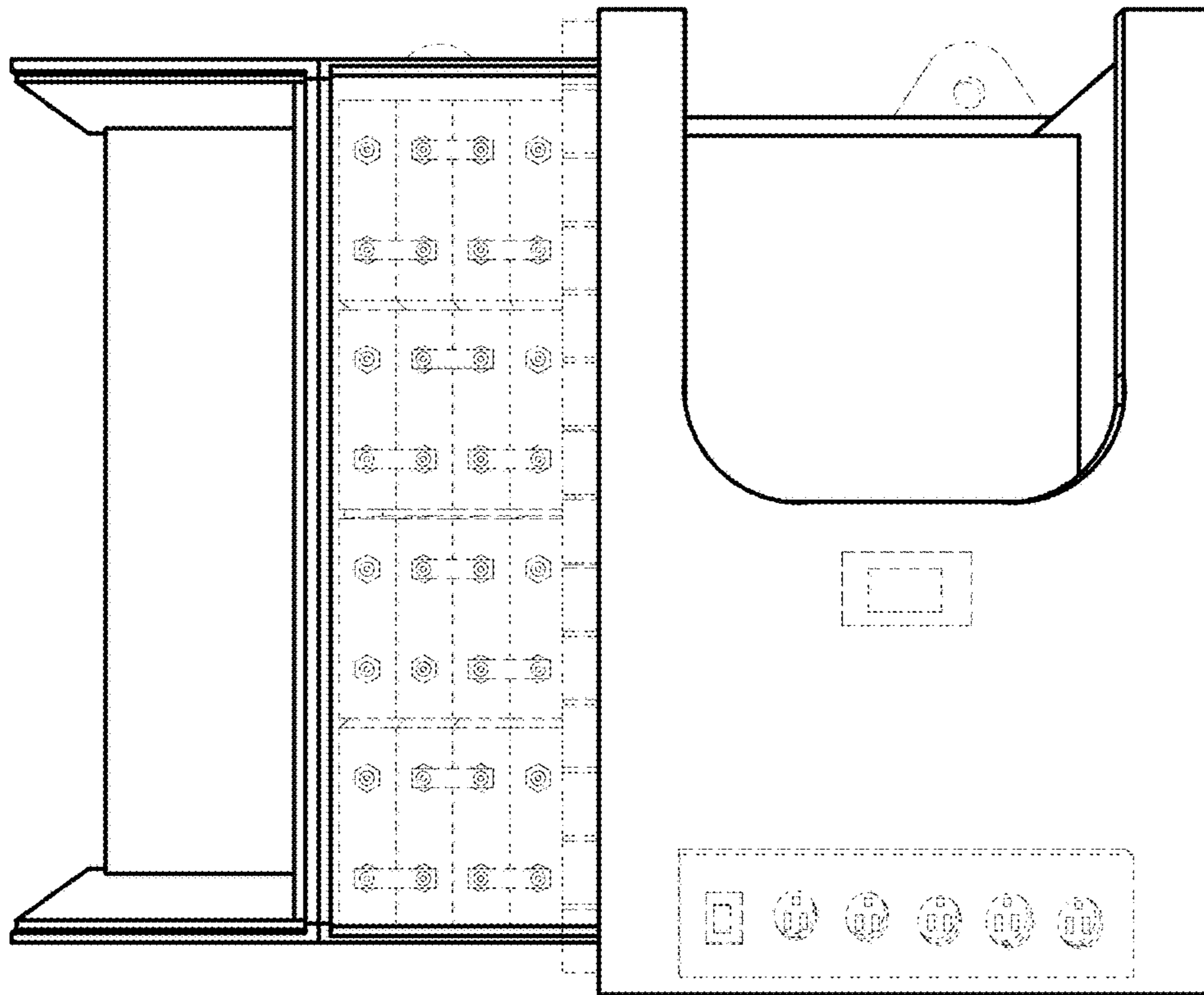


FIG. 7

FIG. 8



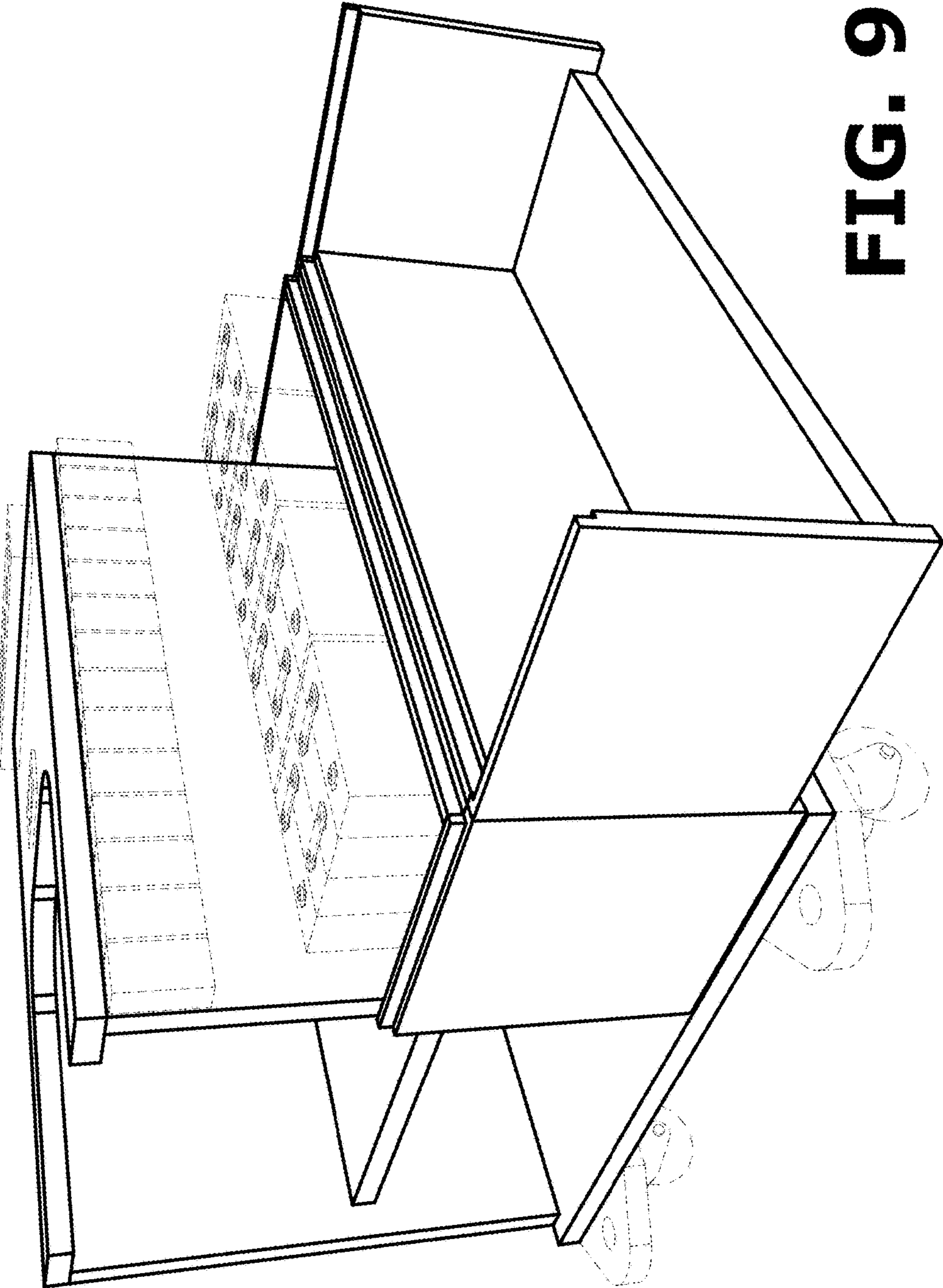


FIG. 9