



US00D850749S

(12) **United States Design Patent**
Waldner

(10) **Patent No.:** **US D850,749 S**
(45) **Date of Patent:** **** Jun. 4, 2019**

(54) **TOOL CABINET**

(71) Applicant: **Crystal Spring Colony Farms Ltd.,**
Ste. Agathe (CA)

(72) Inventor: **David Waldner,** Ste Agathe (CA)

(73) Assignee: **Crystal Spring Colony Farms Ltd.,**
Ste. Agathe, CA (US)

(**) Term: **15 Years**

(21) Appl. No.: **29/608,794**

(22) Filed: **Jun. 26, 2017**

(51) **LOC (11) Cl.** **12-02**

(52) **U.S. Cl.**
USPC **D34/19; D3/905**

(58) **Field of Classification Search**
USPC D3/273, 274, 276, 279, 282, 294, 297,
D3/905, 307, 313, 310; D6/671; D34/19
(Continued)

(56) **References Cited**

U.S. PATENT DOCUMENTS

2,893,749 A * 7/1959 Simonsen B25H 3/02
280/79.2
5,927,837 A * 7/1999 Schmidt B25H 3/00
206/373

(Continued)

OTHER PUBLICATIONS

Bretford, "Cube® Cart", Accessed Mar. 12, 2019. (<https://www.bretford.com/product/cube-cart>) (Year: 2019).*
Tabletdockshop, "Parotec-It iPad mobile charging station . . . ", Accessed Mar. 12, 2019. (<https://www.tabletdockshop.com/en/t7-plus-charging-and-synchronization-box-on-wheels.html>) (Year: 2019).*

Primary Examiner — Jennifer Rivard
Assistant Examiner — April Rivas

(74) *Attorney, Agent, or Firm* — Adrian D. Battison;
Ade + Company Inc.; Ryan W. Dupuis

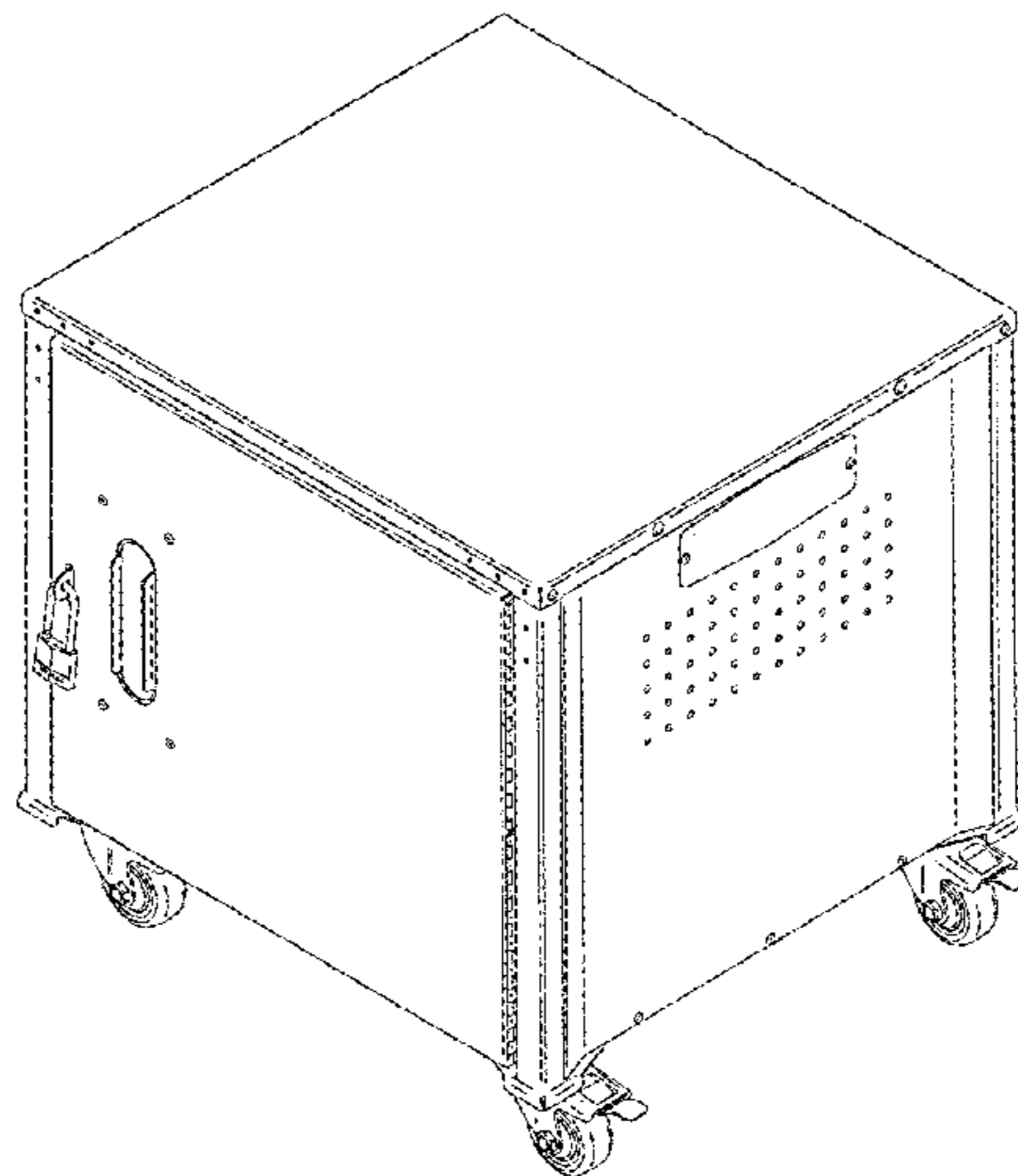
(57) **CLAIM**

The ornamental design for a tool cabinet, as shown and described.

DESCRIPTION

FIG. 1 is a first isometric view from the front and one side of the tool cabinet showing a first variant of the design.
FIG. 2 is a first isometric view from the rear and one side of the tool cabinet showing a first variant of the design.
FIG. 3 is a front elevational view of the tool cabinet showing a first variant of the design.
FIG. 4 is a rear elevational view of the tool cabinet showing a first variant of the design.
FIG. 5 is a right side elevational view of the tool cabinet showing a first variant of the design.
FIG. 6 is a left side elevational view of the tool cabinet showing a first variant of the design.
FIG. 7 is a top plan view of the tool cabinet showing a first variant of the design.
FIG. 8 is a bottom plan view of the tool cabinet showing a first variant of the design.
FIG. 9 is a first isometric view from the front and one side of the tool cabinet showing a second variant of the design.
FIG. 10 is a first isometric view from the rear and one side of the tool cabinet showing a second variant of the design.
FIG. 11 is a front elevational view of the tool cabinet showing a second variant of the design.
FIG. 12 is a rear elevational view of the tool cabinet showing a second variant of the design.
FIG. 13 is a left side elevational view of the tool cabinet showing a second variant of the design.
FIG. 14 is a right side elevational view of the tool cabinet showing a second variant of the design.
FIG. 15 is a top plan view of the tool cabinet showing a second variant of the design; and,
FIG. 16 is a bottom plan view of the tool cabinet showing a second variant of the design.

1 Claim, 16 Drawing Sheets



(58) **Field of Classification Search**

CPC B25H 3/00; B25H 3/003; B25H 3/006;
B25H 3/02; H02J 7/0027

See application file for complete search history.

(56) **References Cited**

U.S. PATENT DOCUMENTS

D460,259	S *	7/2002	Oelfke	D3/273
D462,170	S *	9/2002	Chen	D3/276
D505,261	S *	5/2005	Richardson	D3/273
D535,452	S *	1/2007	Lim	D34/19
D648,128	S *	11/2011	Clayton	D3/279
8,190,806	B2 *	5/2012	Petrick	G06F 13/4022 361/679.56
2007/0013280	A1 *	1/2007	Retchloff	B25H 3/00 312/319.8
2007/0022921	A1 *	2/2007	Perkins	B25H 3/00 108/64
2009/0016008	A1 *	1/2009	Hock	G06F 1/1632 361/679.4
2010/0079047	A1 *	4/2010	Koh	A47B 47/021 312/348.3
2015/0158516	A1 *	6/2015	Chen	B62B 3/005 280/47.371
2016/0128471	A1 *	5/2016	Chang	B25H 3/028 312/249.11
2018/0226828	A1 *	8/2018	Files	H02J 7/025
2018/0229358	A1 *	8/2018	Bozzano	B25H 3/02

* cited by examiner

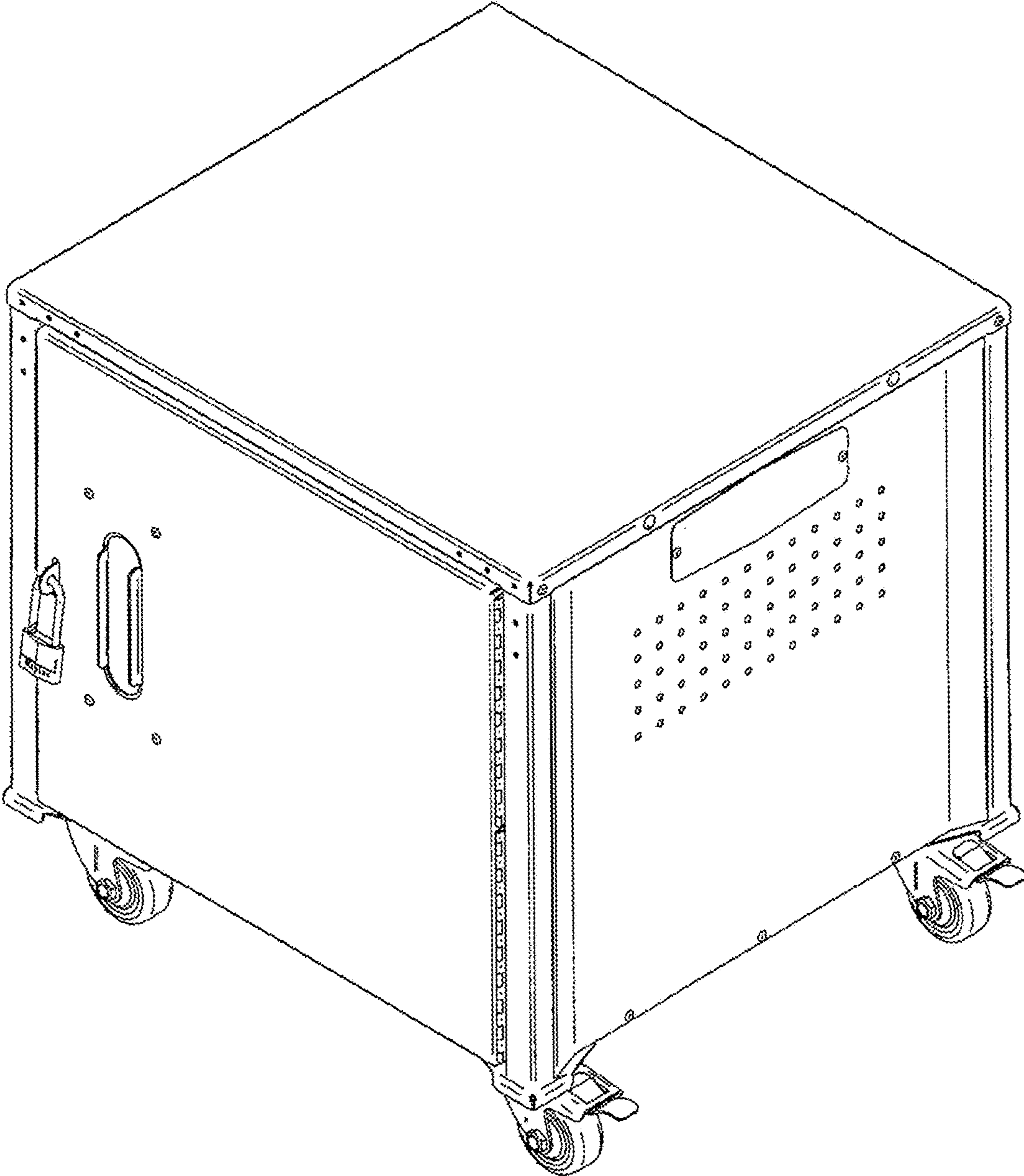


Figure 1

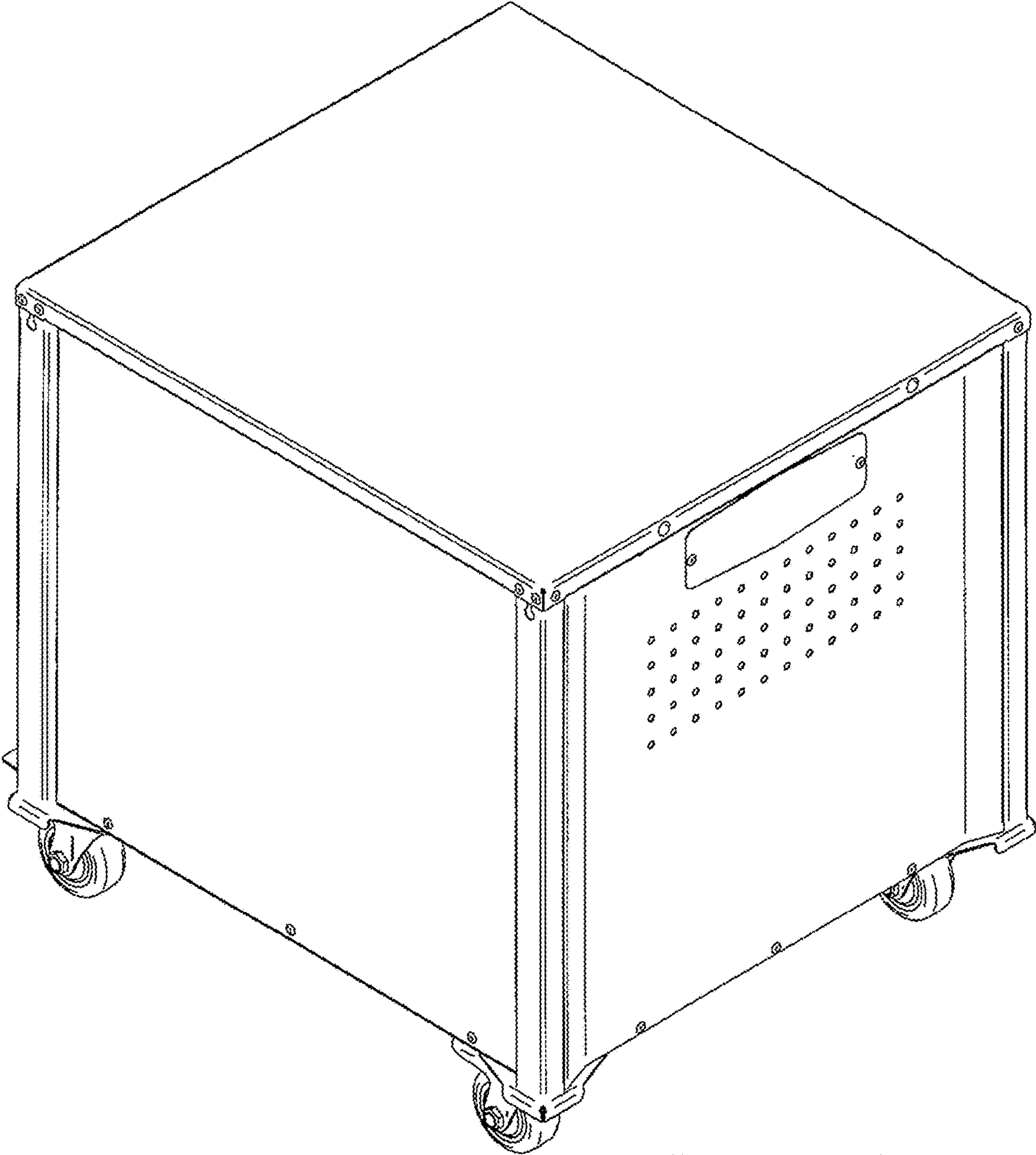


Figure 2

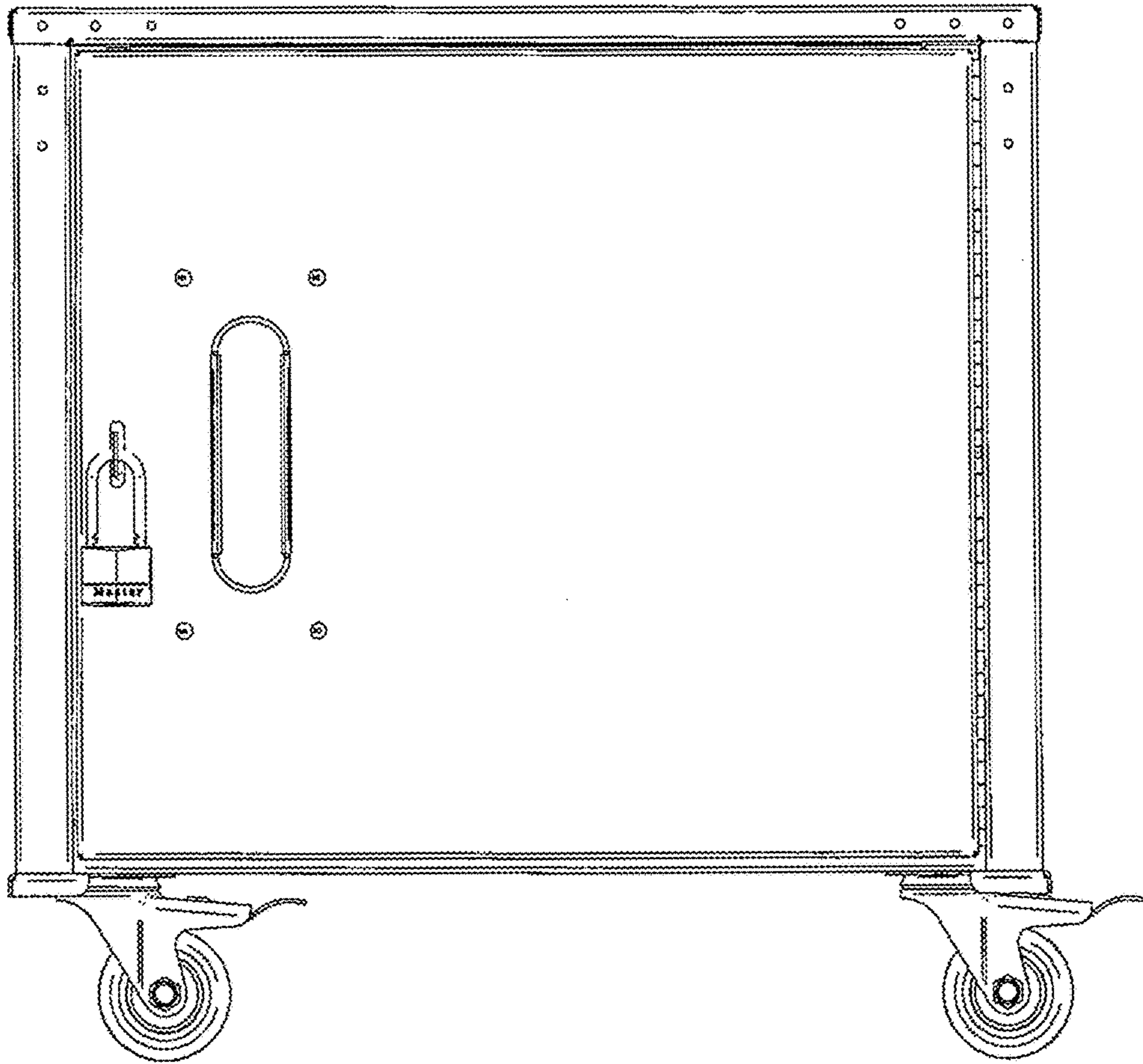


Figure 3

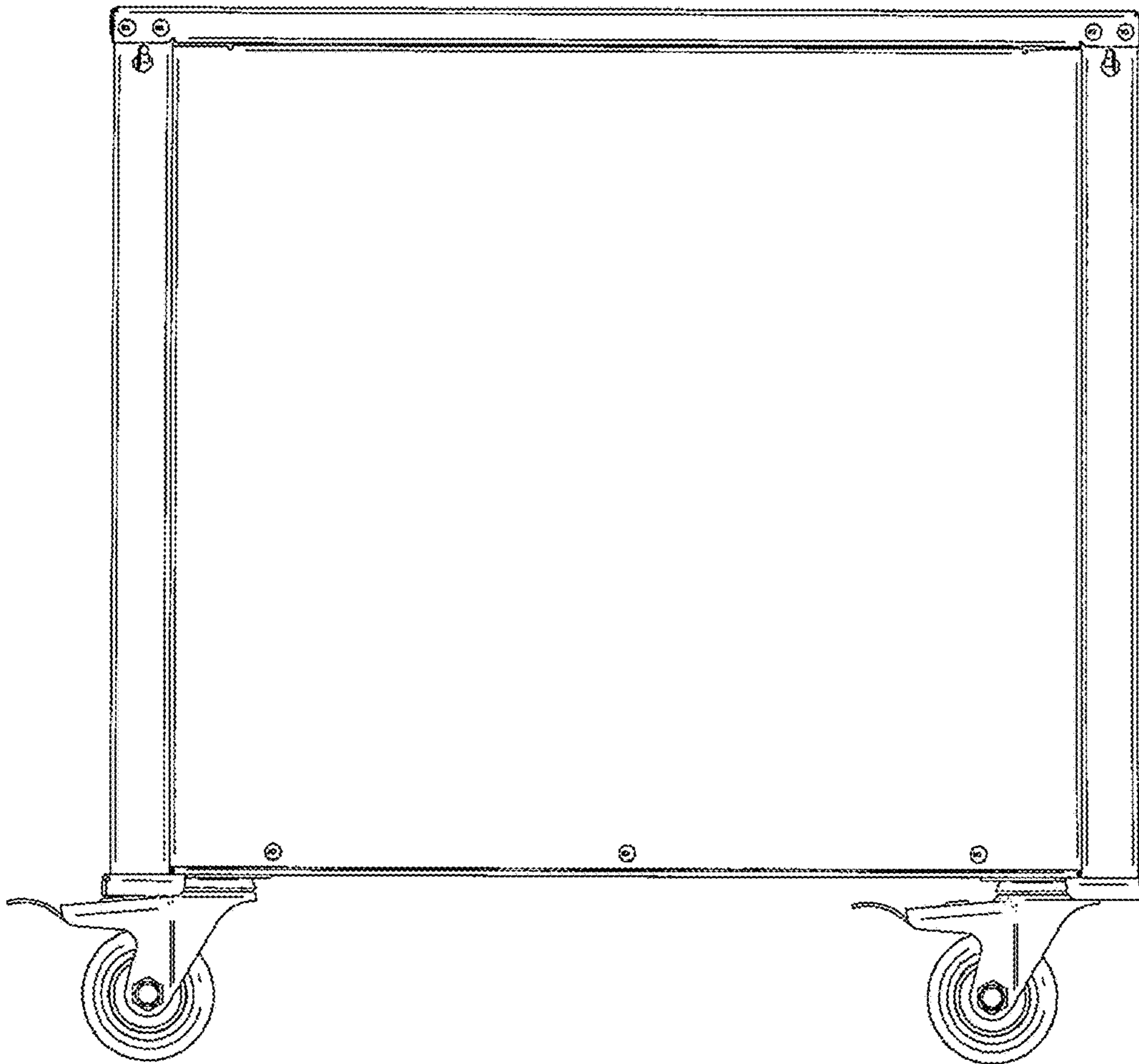


Figure 4

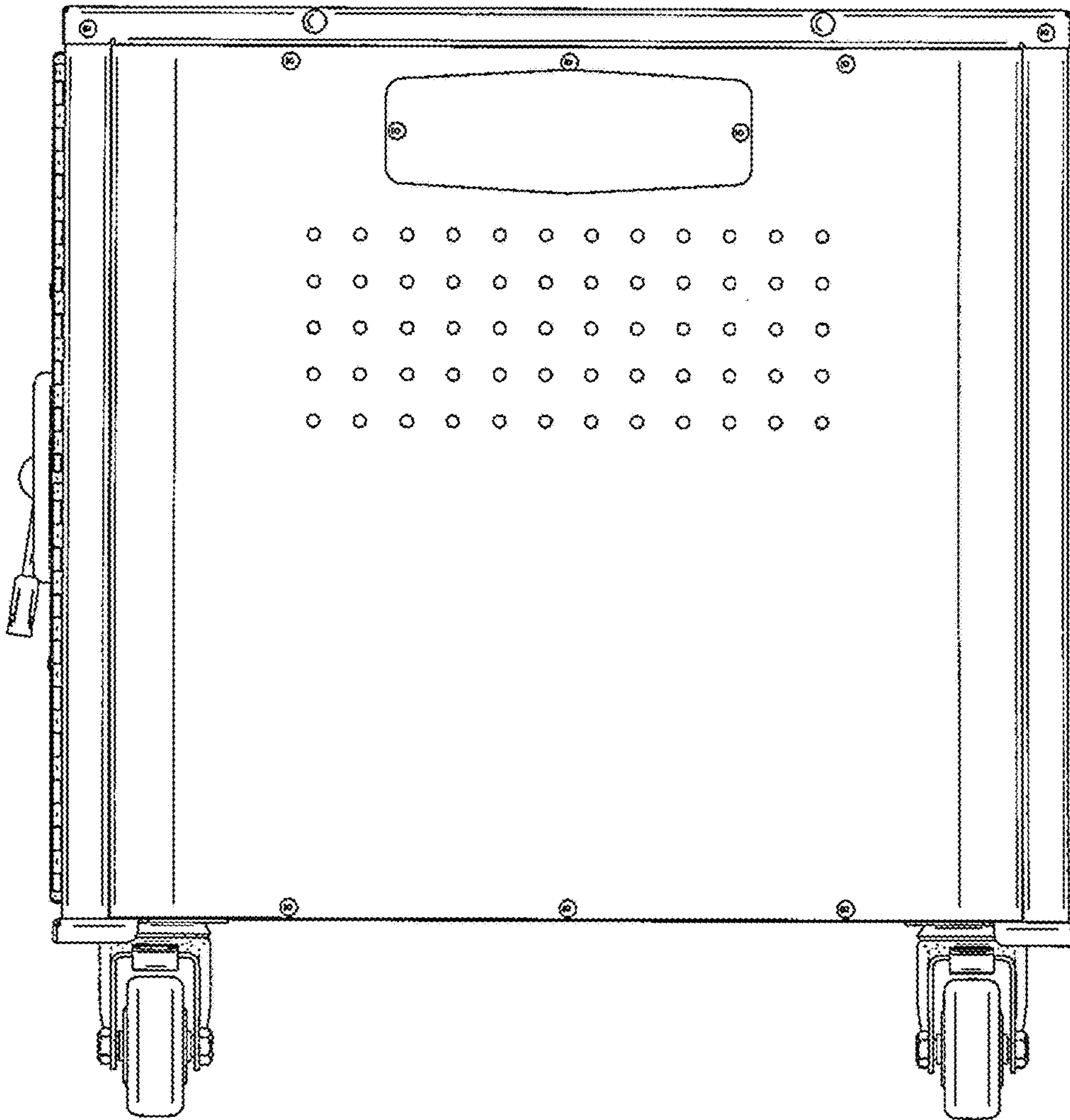


Figure 5

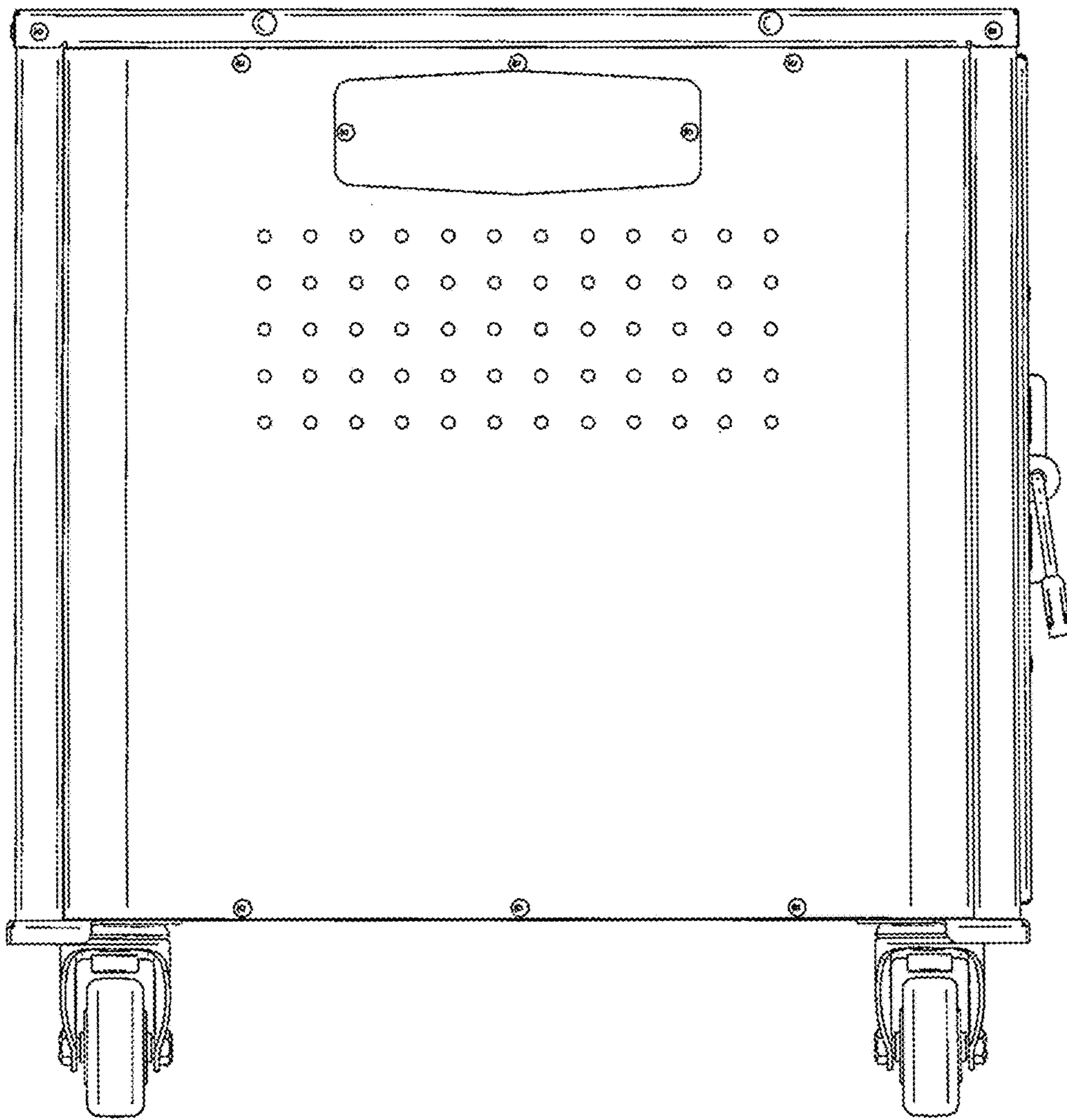


Figure 6

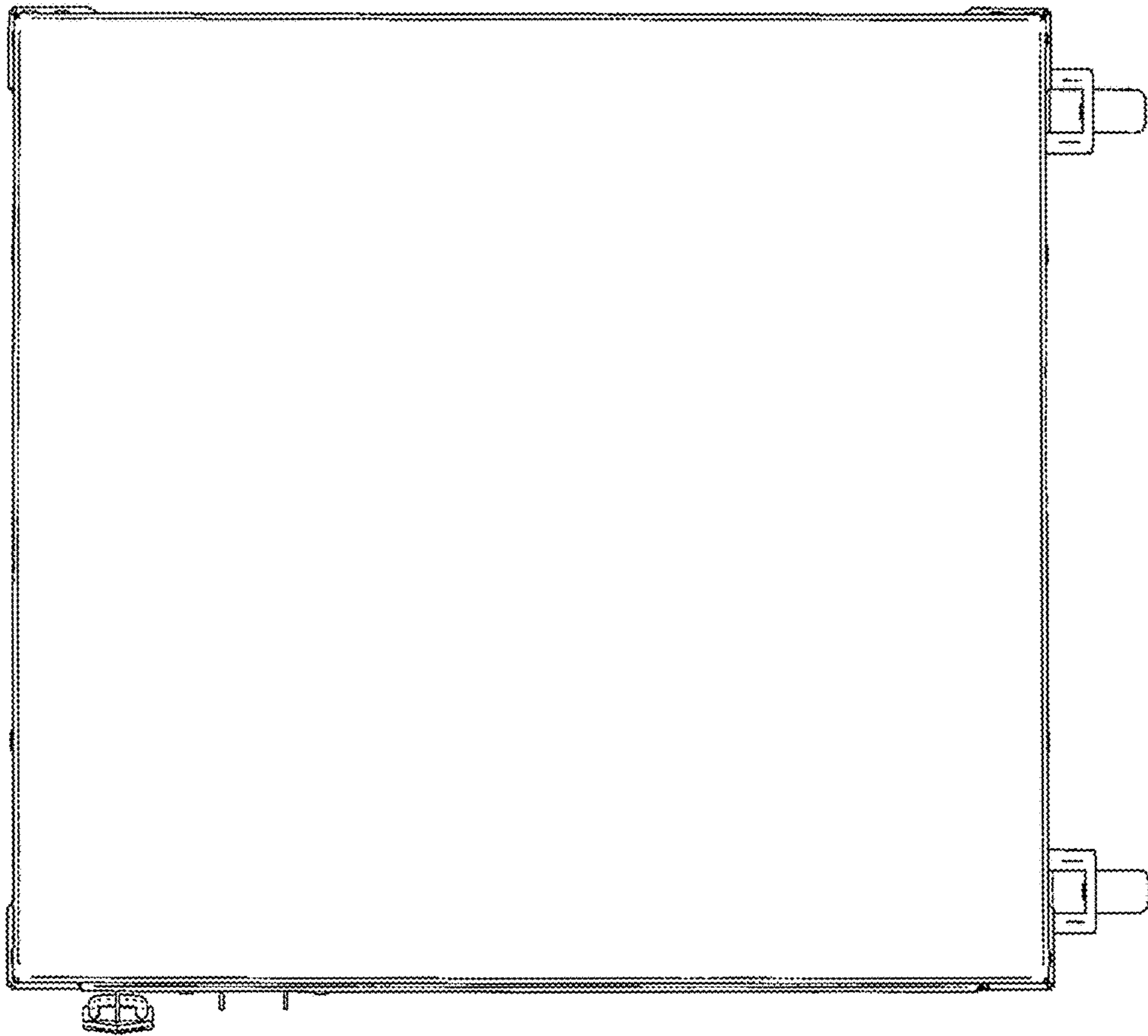


Figure 7

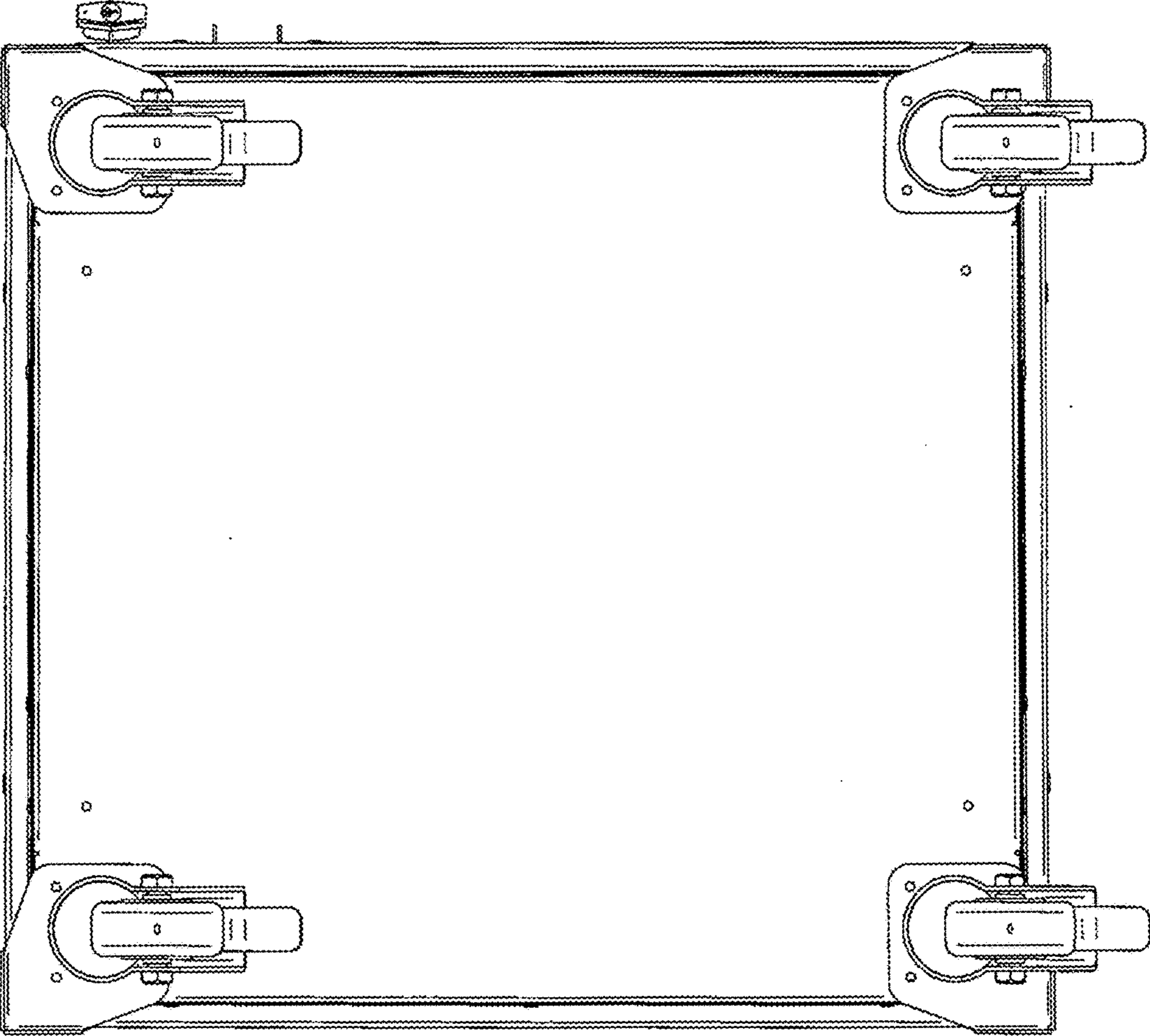


Figure 8

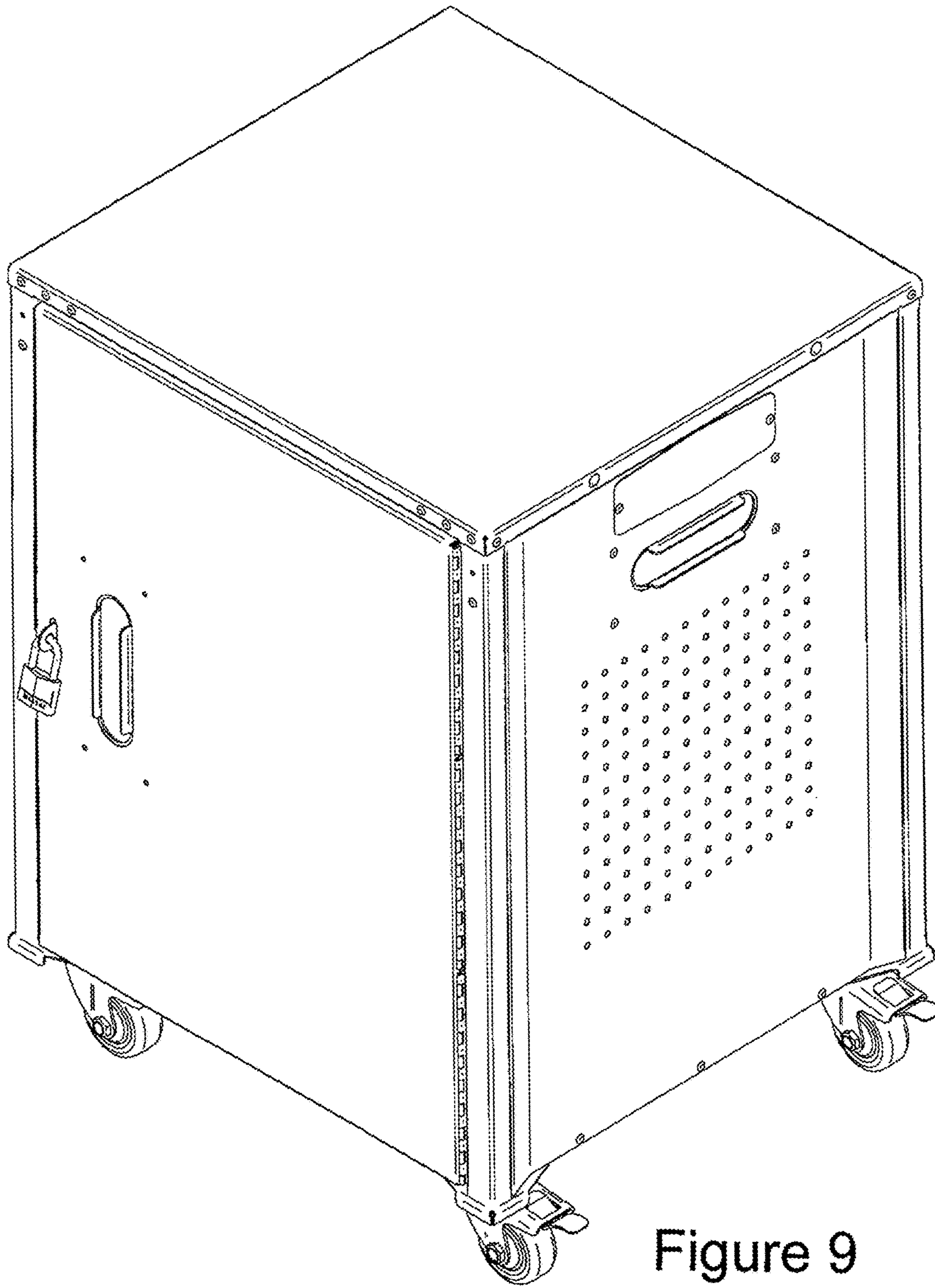


Figure 9

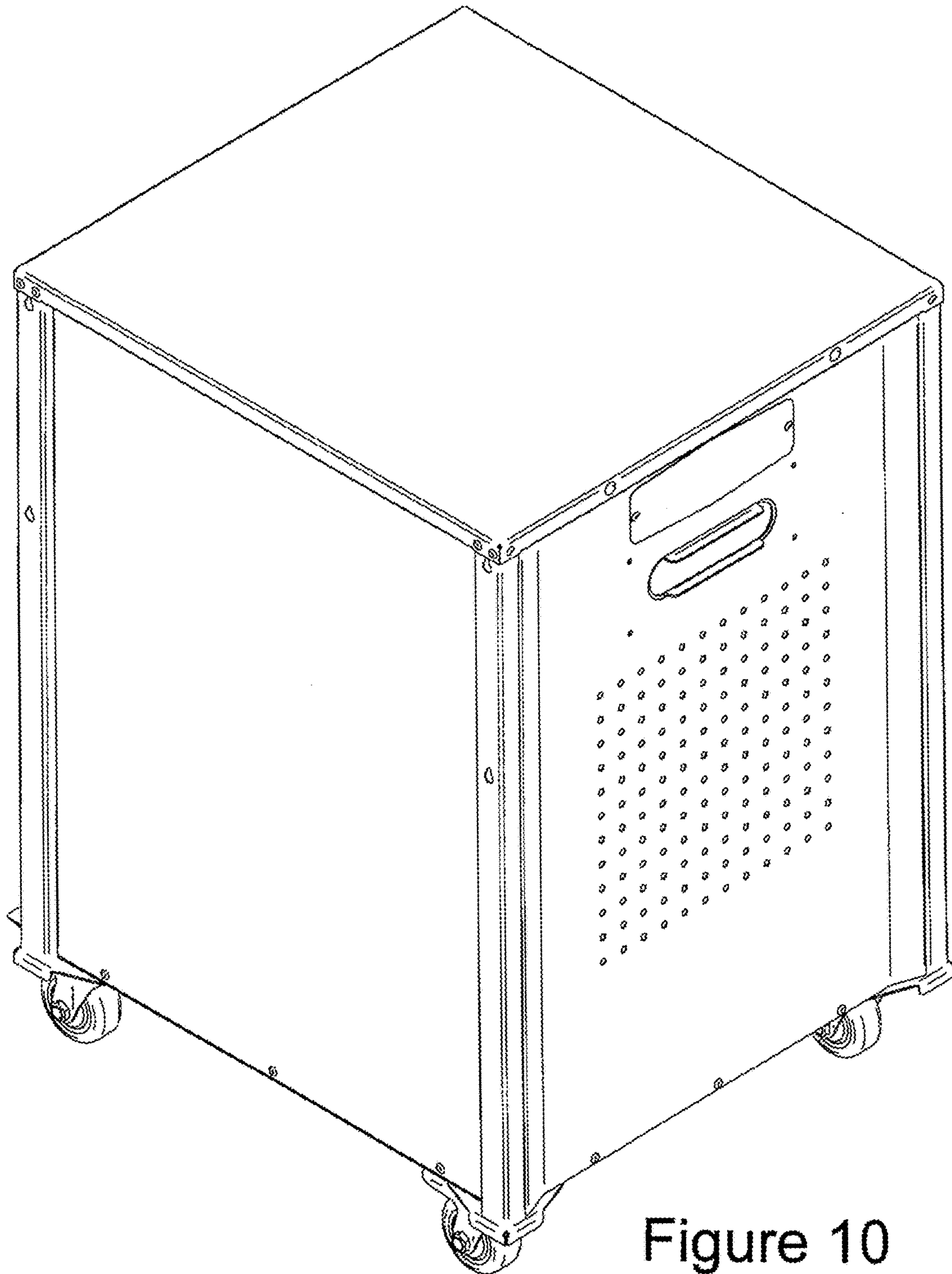


Figure 10

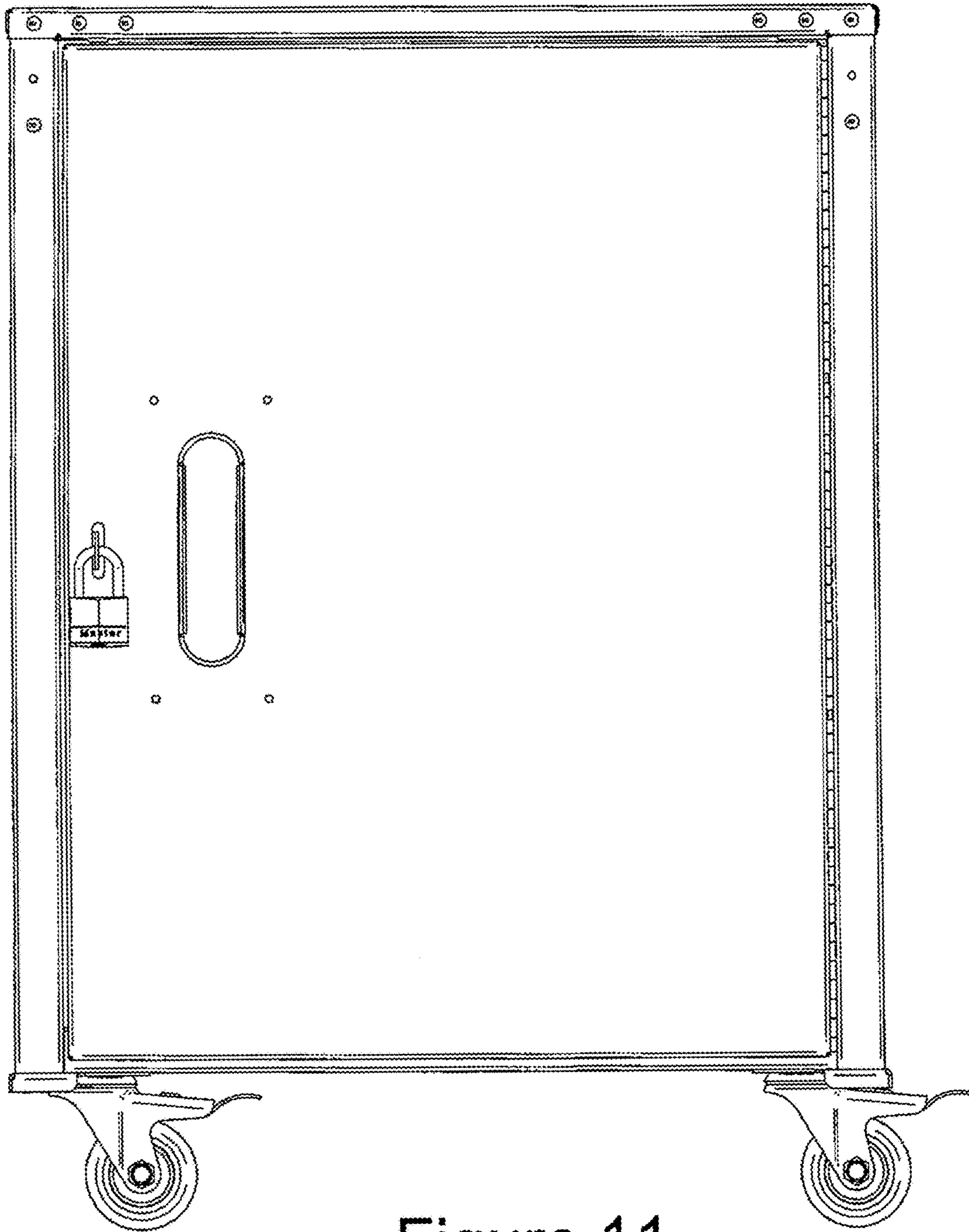


Figure 11

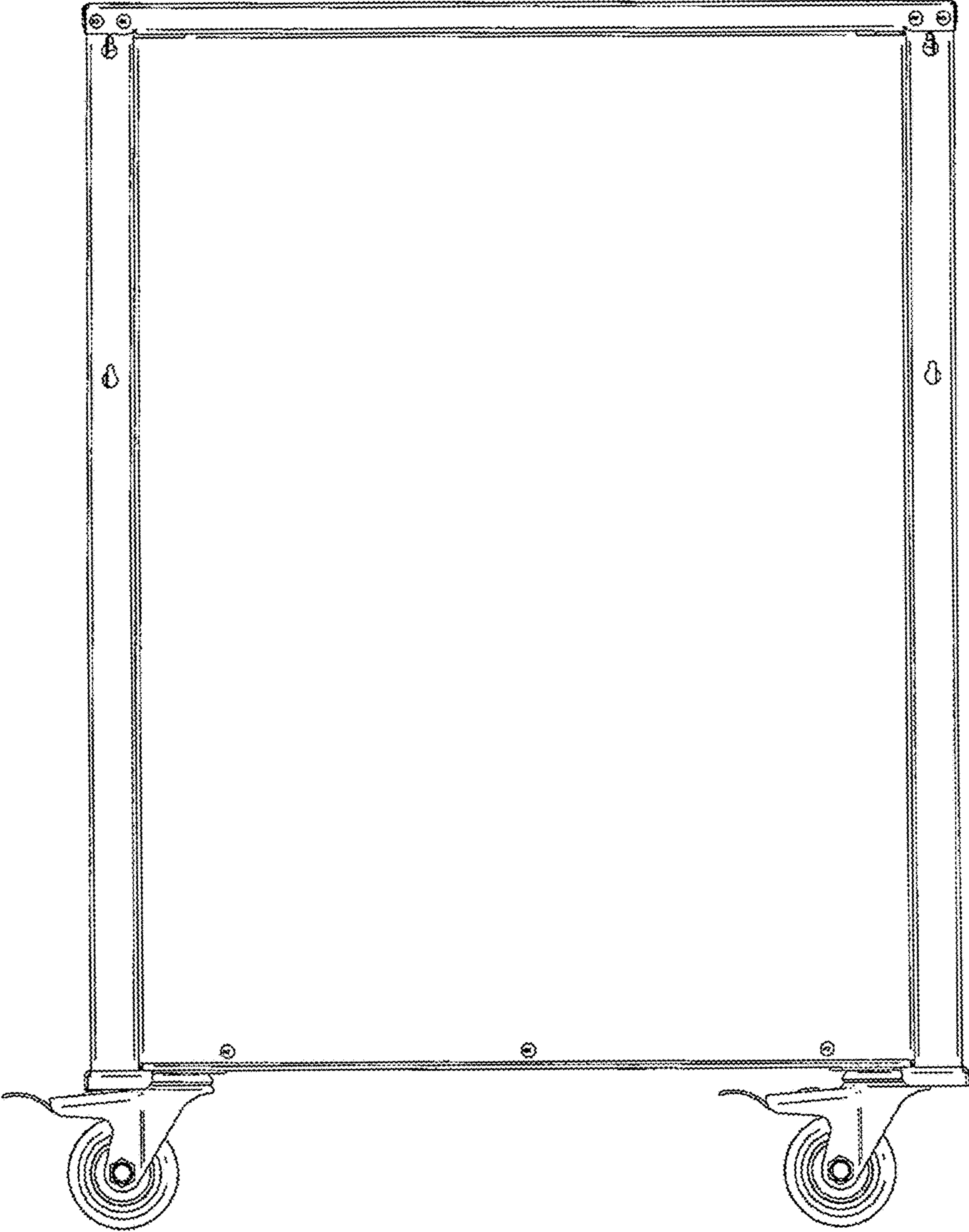


Figure 12

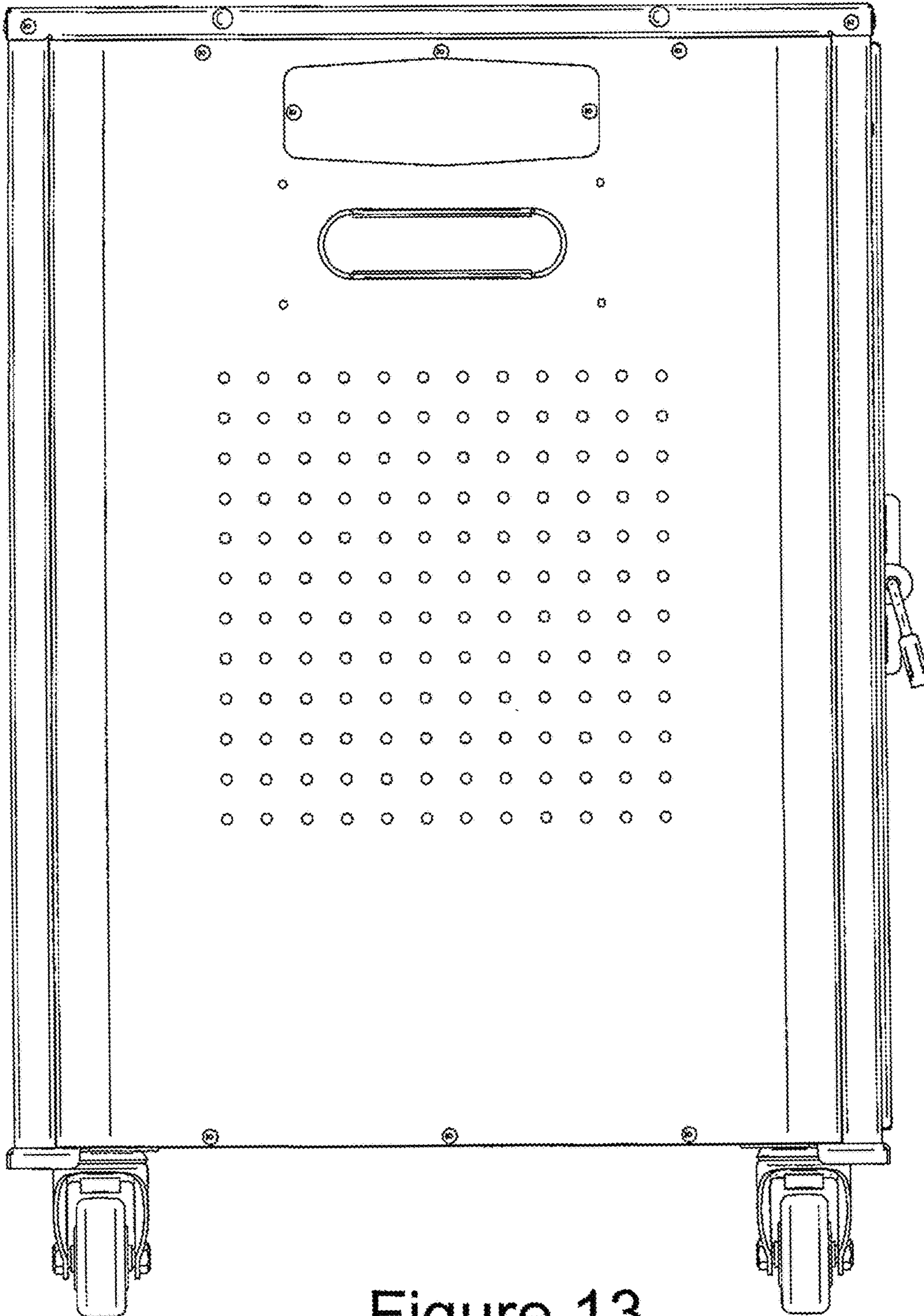


Figure 13

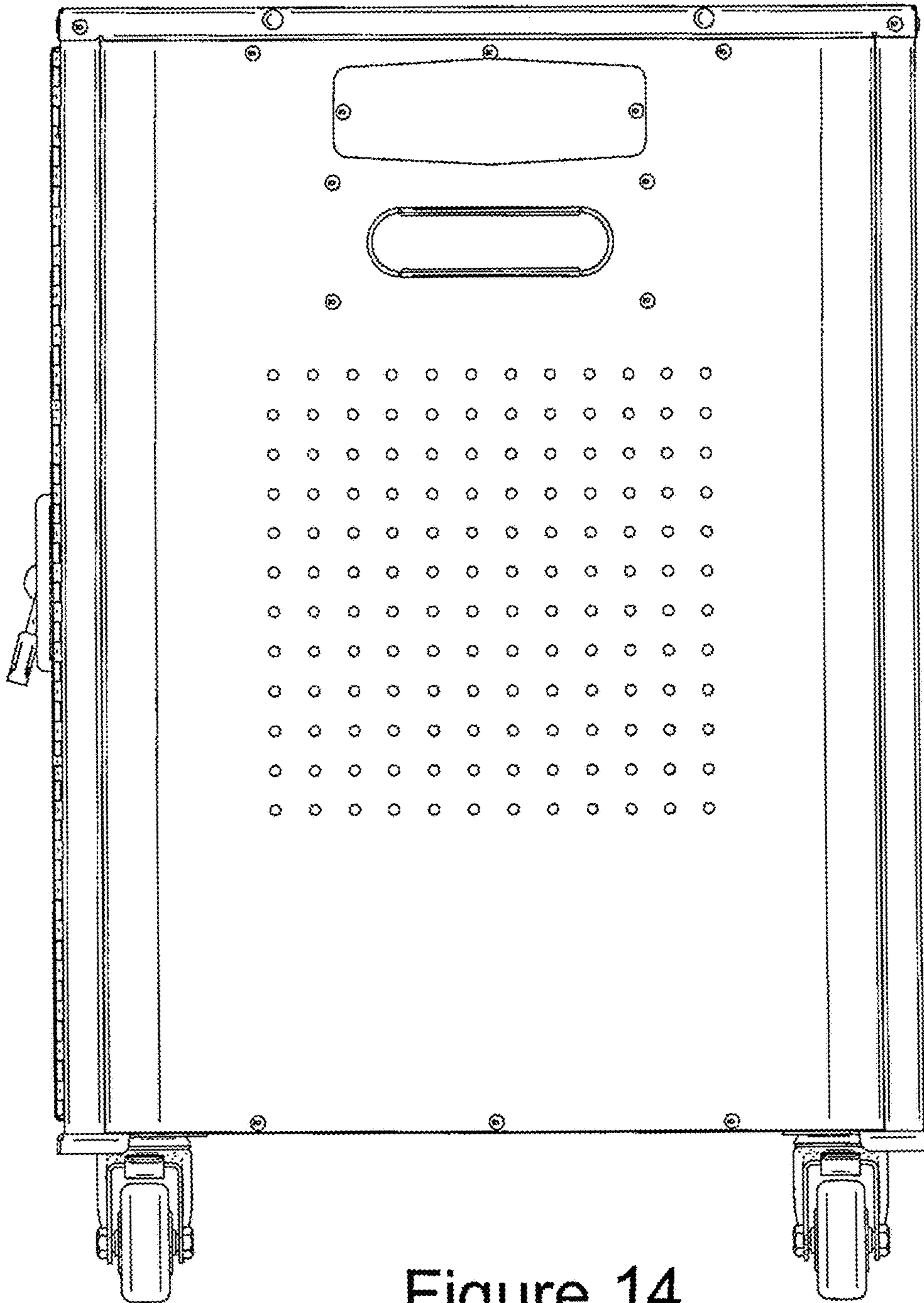


Figure 14

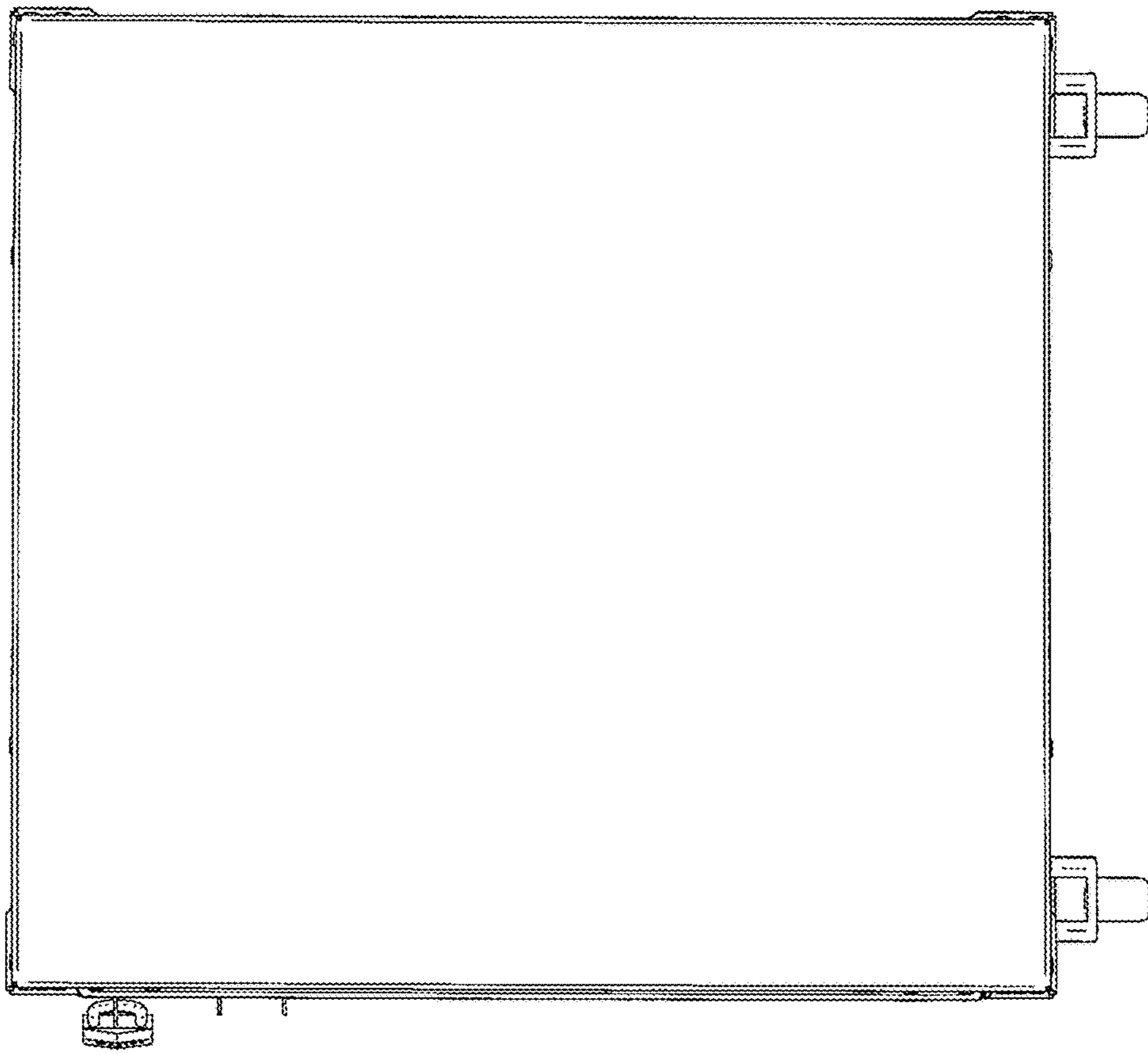


Figure 15

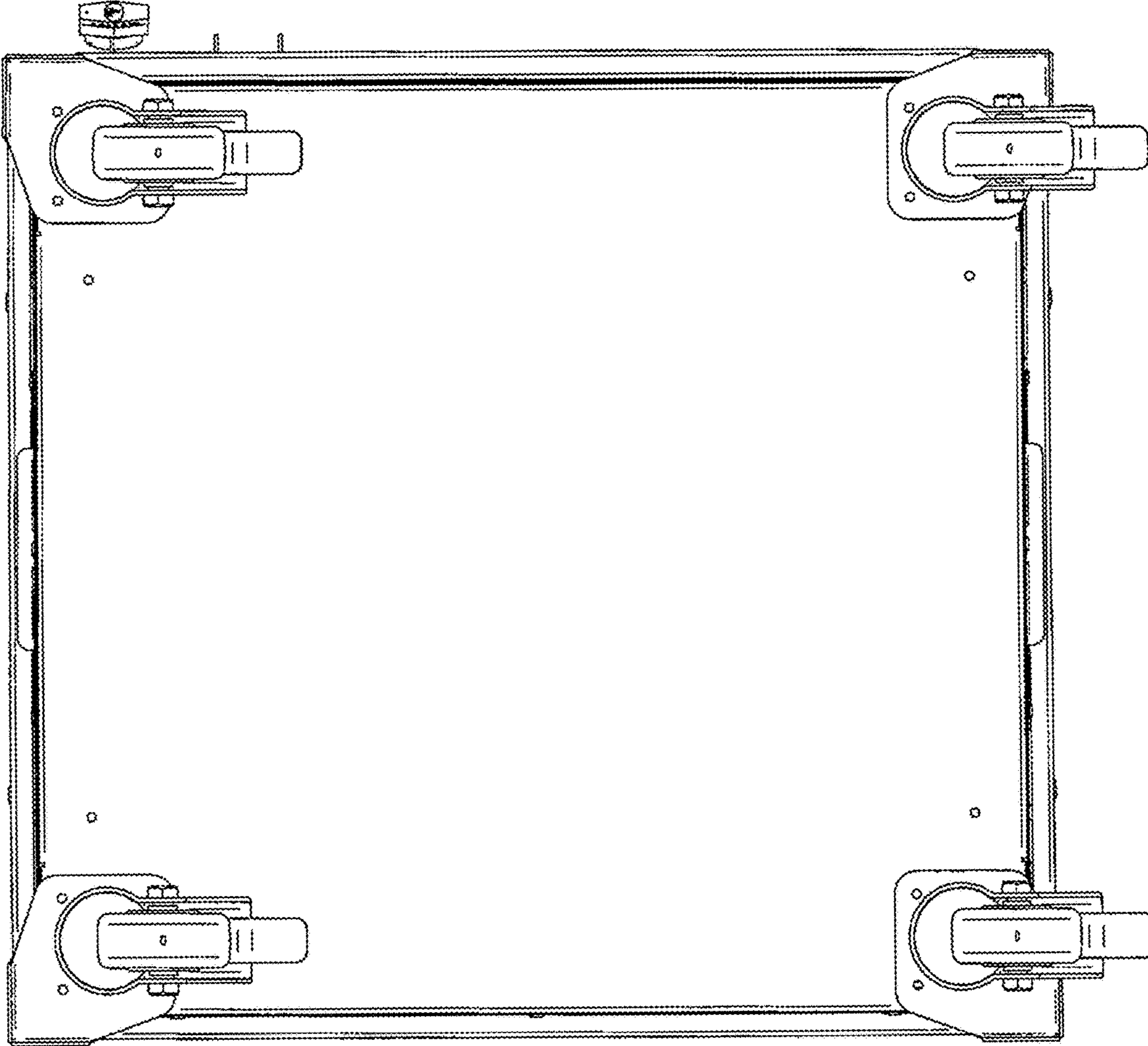


Figure 16