



US00D850748S

(12) **United States Design Patent**
Steinhobel

(10) **Patent No.:** **US D850,748 S**

(45) **Date of Patent:** **** Jun. 4, 2019**

(54) **CART**

(71) Applicant: **STEINHOBEL DESIGN (PTY) LTD,**
Bryanston (ZA)

(72) Inventor: **Brian Arthur Steinhobel,** Bryanston
(ZA)

(73) Assignee: **STEINHOBEL DESIGN (PTY) LTD,**
Bryanston (ZA)

(**) Term: **15 Years**

(21) Appl. No.: **29/550,435**

(22) Filed: **Jan. 4, 2016**

(51) **LOC (11) Cl.** **12-02**

(52) **U.S. Cl.**
USPC **D34/17**

(58) **Field of Classification Search**

USPC D34/12, 16-18, 20-24, 26, 27;
280/47.34, 33.993, 33.992
CPC .. B62B 5/06; B62B 3/02; B62B 11/00; B62B
3/14; B62B 3/144; B62B 3/022; B62B
3/18

See application file for complete search history.

(56) **References Cited**

U.S. PATENT DOCUMENTS

4,046,394 A * 9/1977 Thompson, Jr. B62B 3/14
280/33.991
5,613,696 A * 3/1997 de Luna B62B 3/14
280/33.991

D550,423 S * 9/2007 Splain D34/12
7,407,169 B2 * 8/2008 Splain B62B 3/144
280/33.991
9,682,719 B2 * 6/2017 Stauff B62B 3/18
D796,769 S * 9/2017 Stauff D34/17
2003/0057666 A1 * 3/2003 Murar B62B 3/14
280/33.991
2007/0063463 A1 * 3/2007 Splain B62B 5/06
280/33.992

* cited by examiner

Primary Examiner — Cynthia Ramirez

Assistant Examiner — Gino Colan

(74) *Attorney, Agent, or Firm* — Tutunjian & Bitetto, P.C.

(57) **CLAIM**

The ornamental design for a cart, as shown and described.

DESCRIPTION

FIG. 1 is a first perspective view of the cart showing my new design;

FIG. 2 is a second perspective view thereof;

FIG. 3 is a front view thereof;

FIG. 4 is a rear view thereof;

FIG. 5 is bottom view thereof;

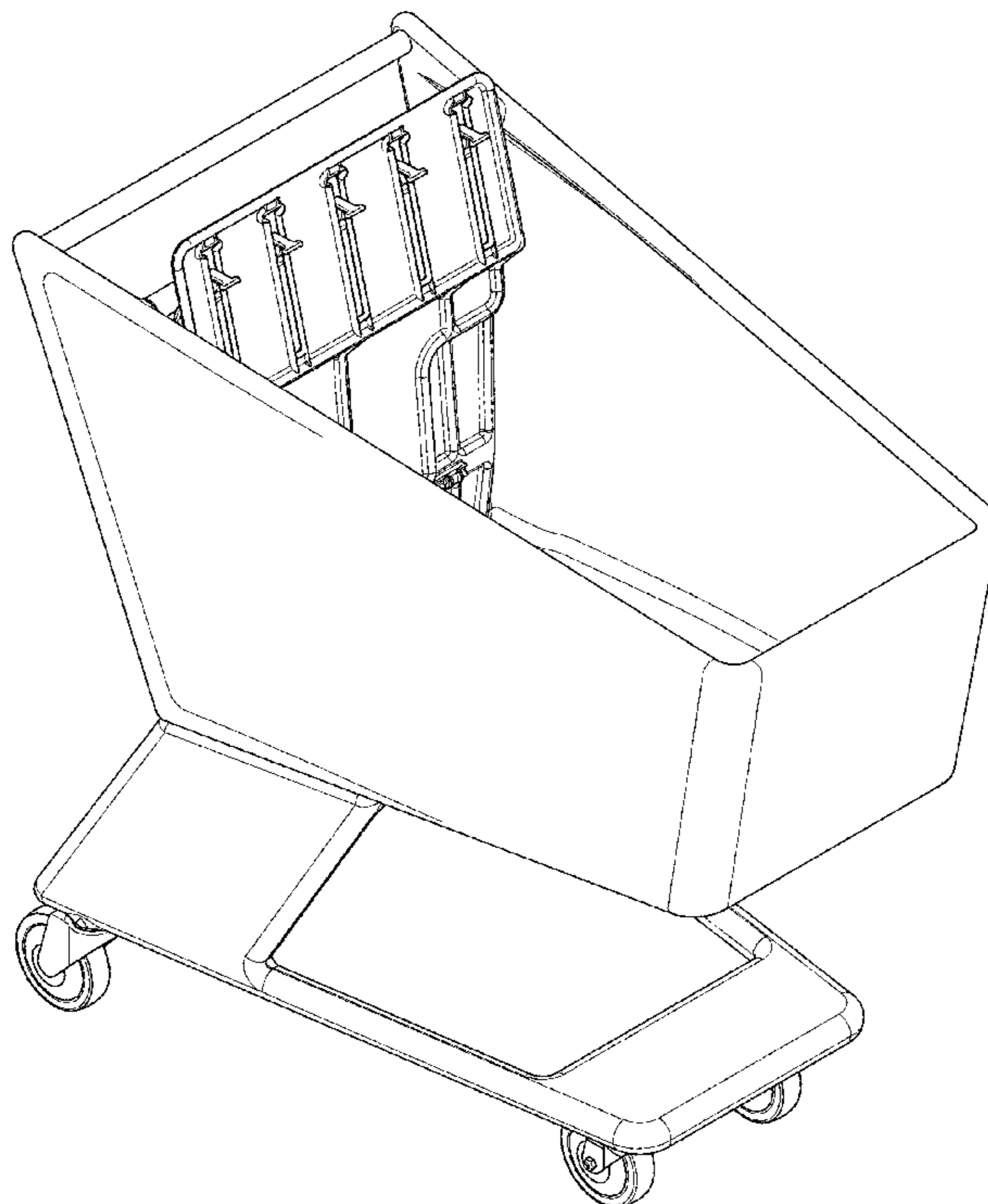
FIG. 6 is a top view thereof;

FIG. 7 is a left side view thereof; and,

FIG. 8 is a right side view thereof.

The broken lines shown in the figures are included for the purpose of illustrating portions of the cart and form no part of the claimed design.

1 Claim, 8 Drawing Sheets



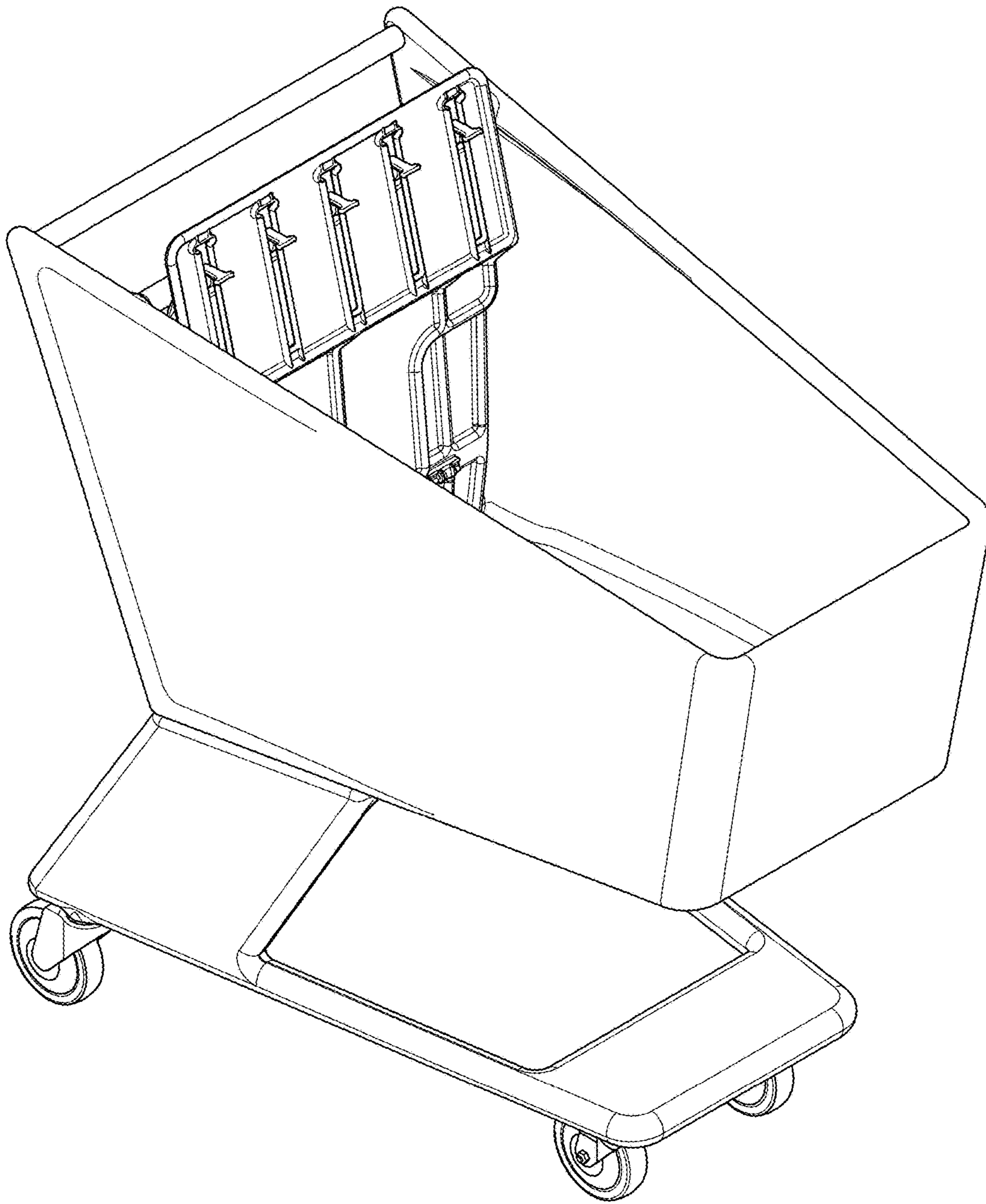


FIG. 1

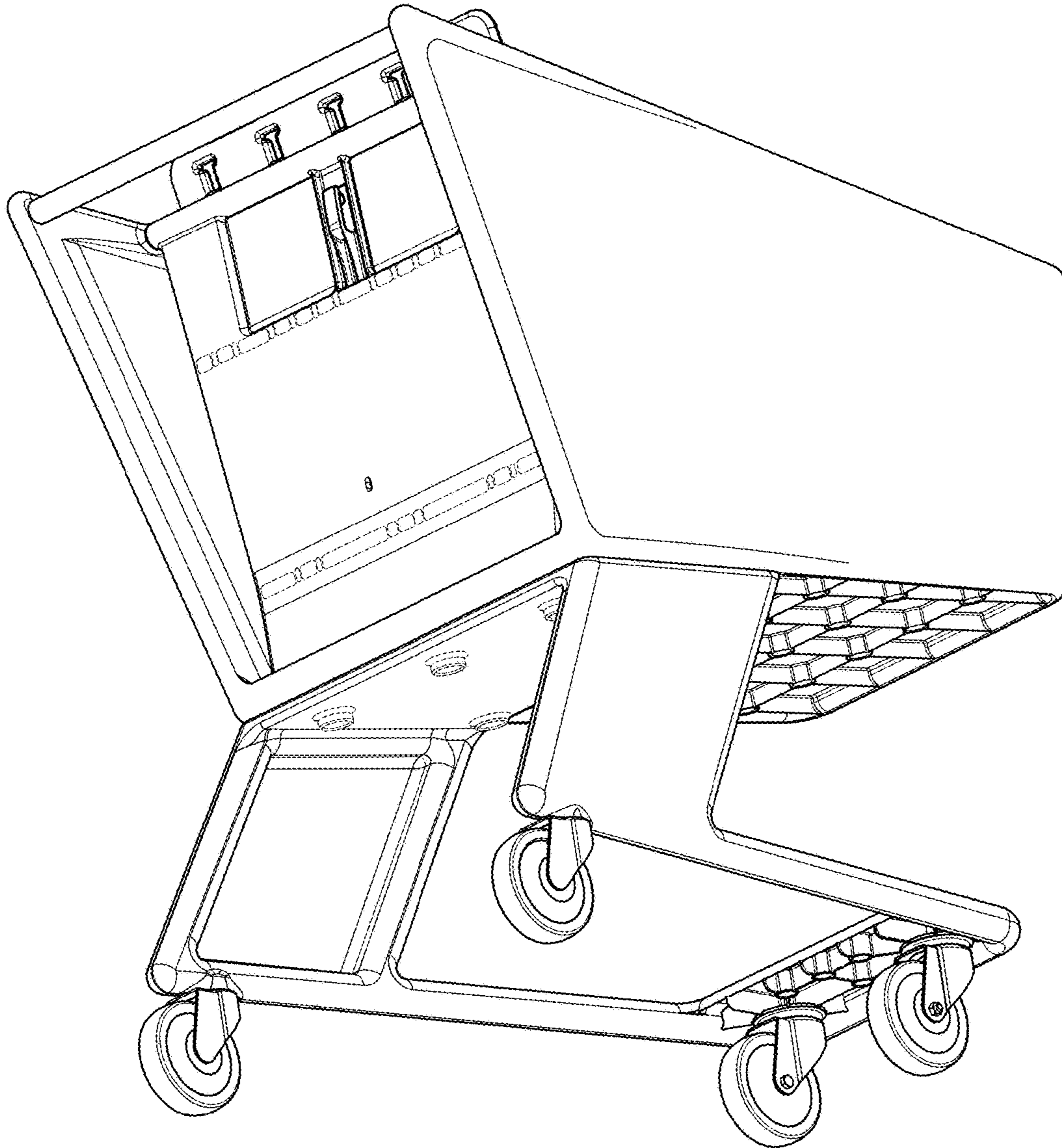


FIG. 2

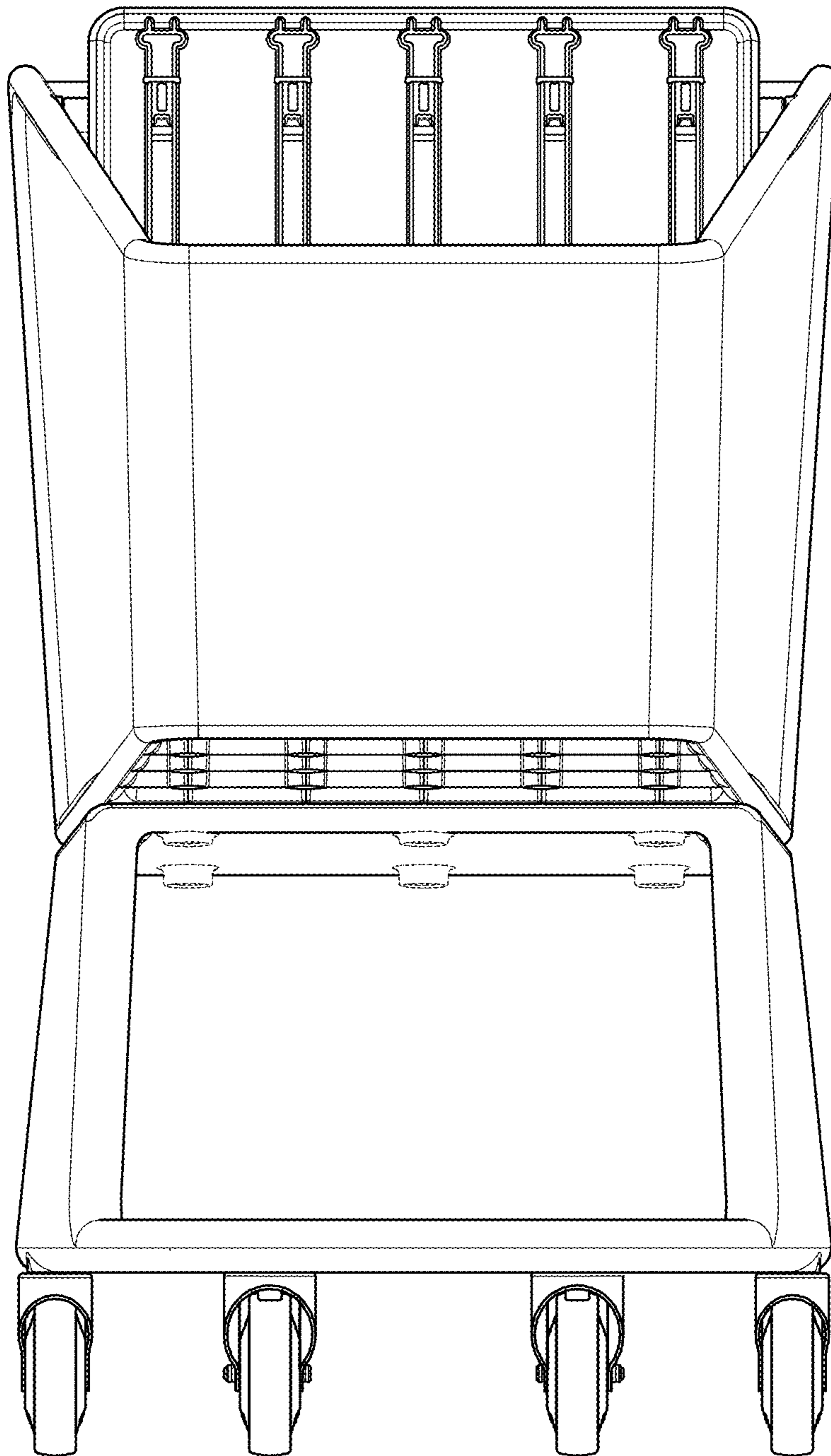


FIG. 3

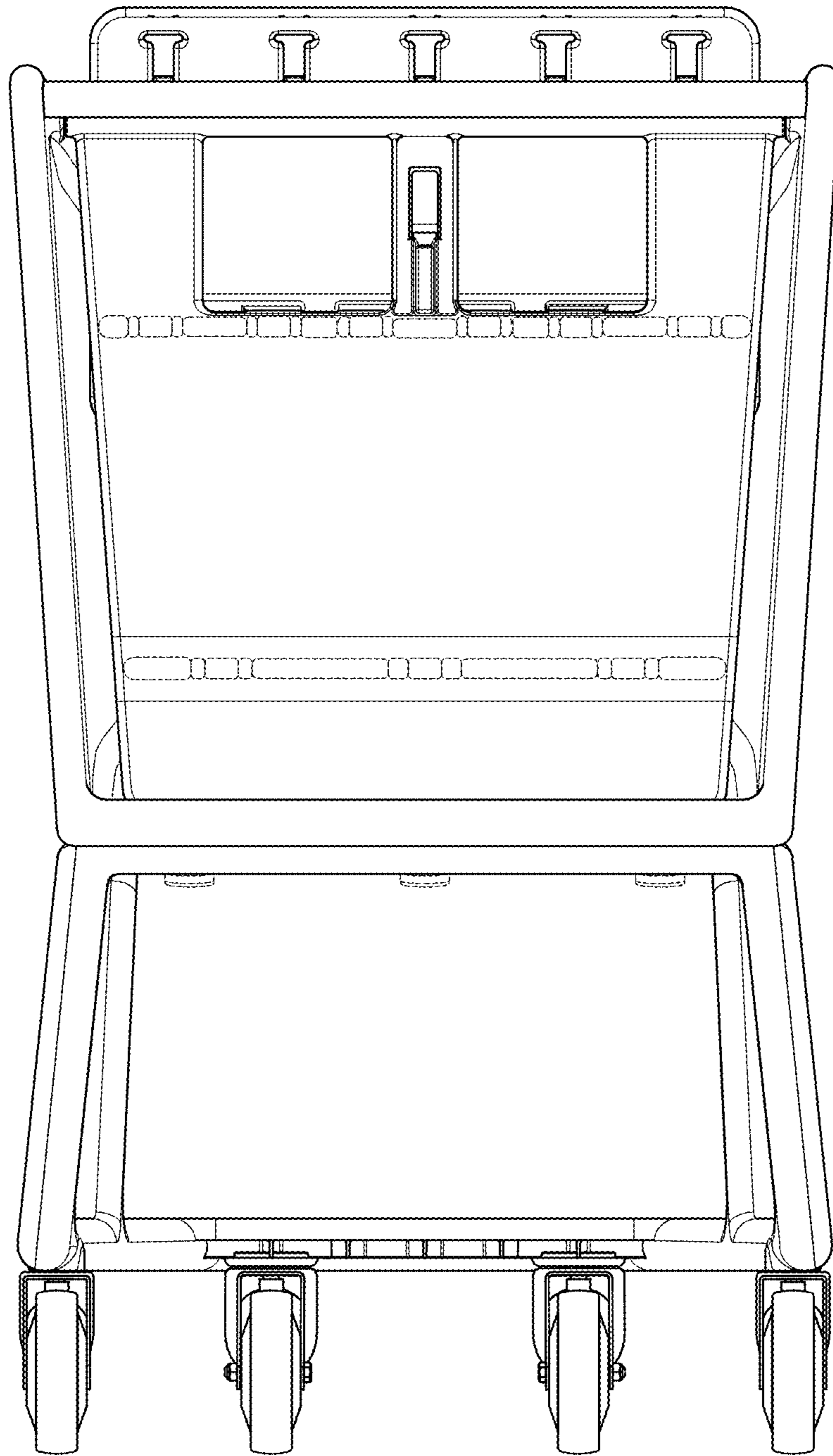


FIG. 4

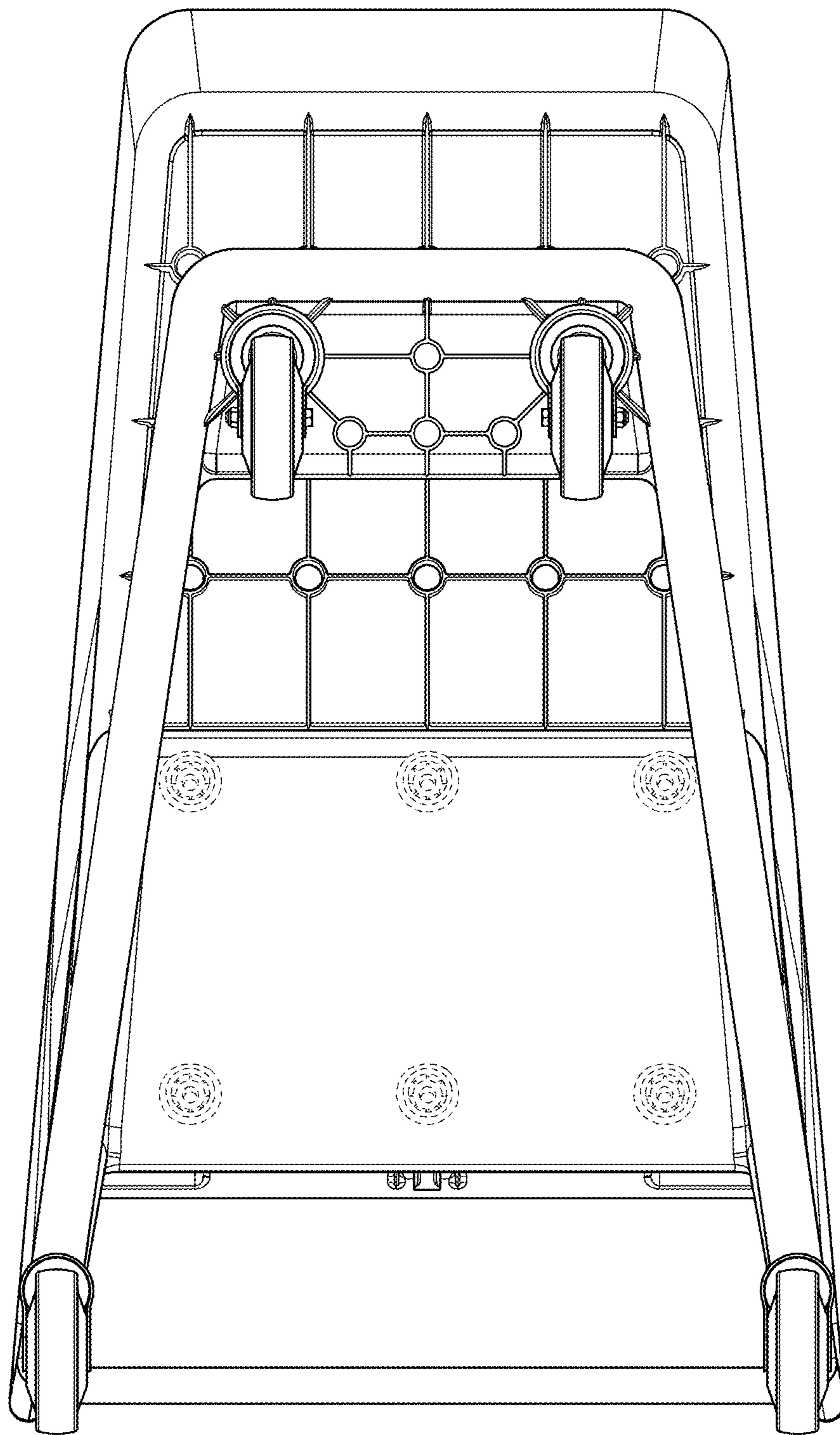


FIG. 5

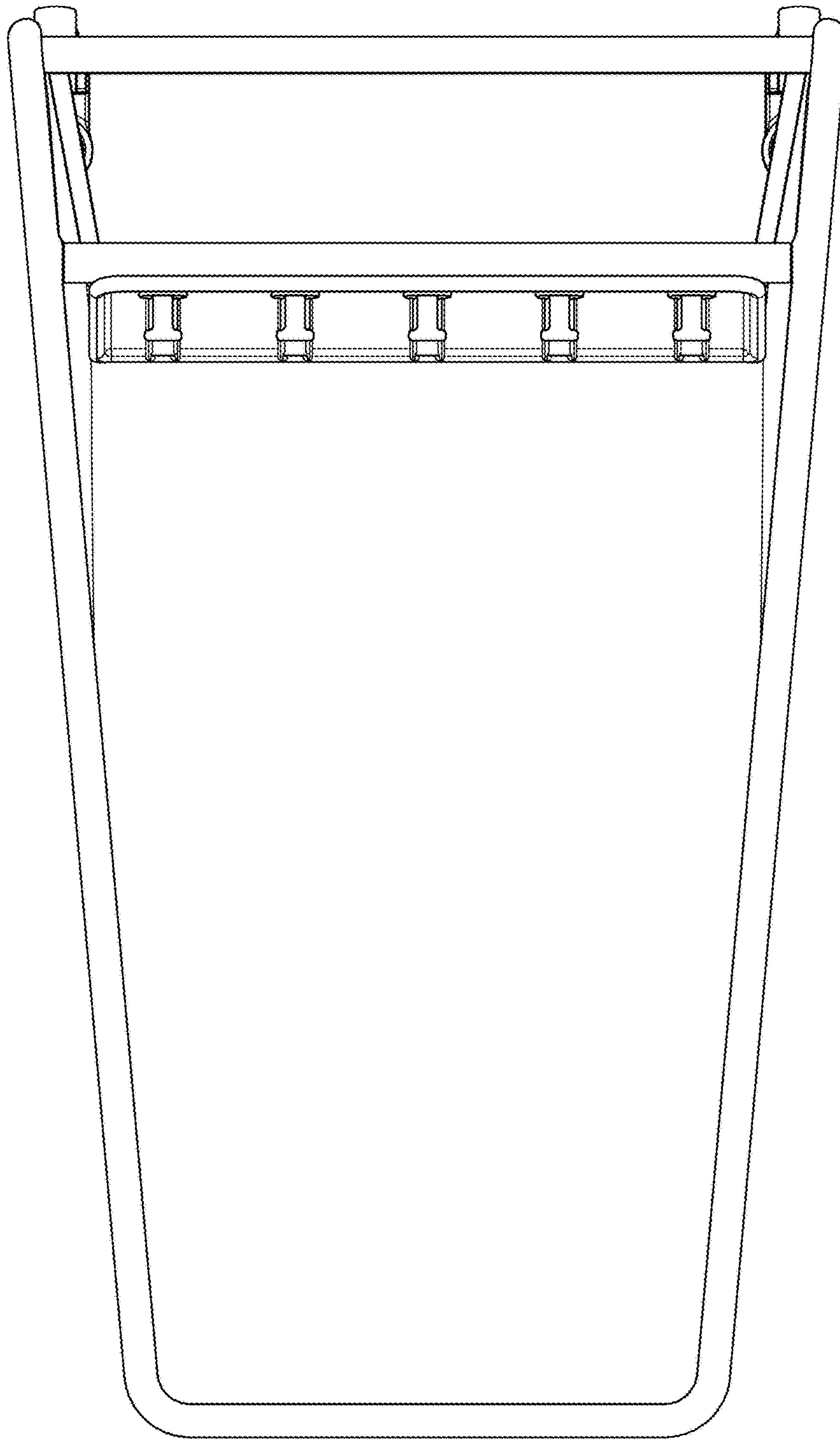


FIG. 6

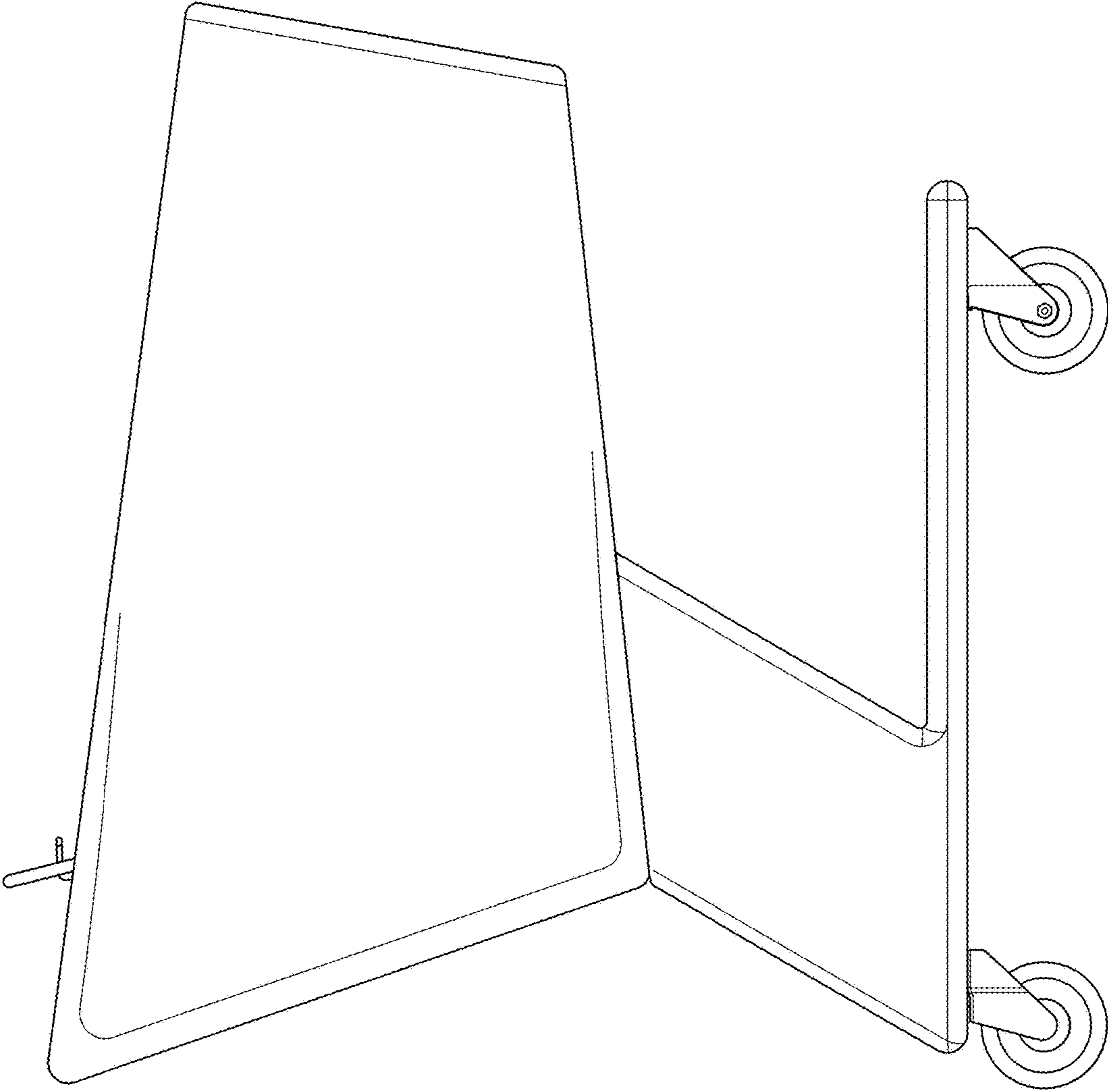


FIG. 7

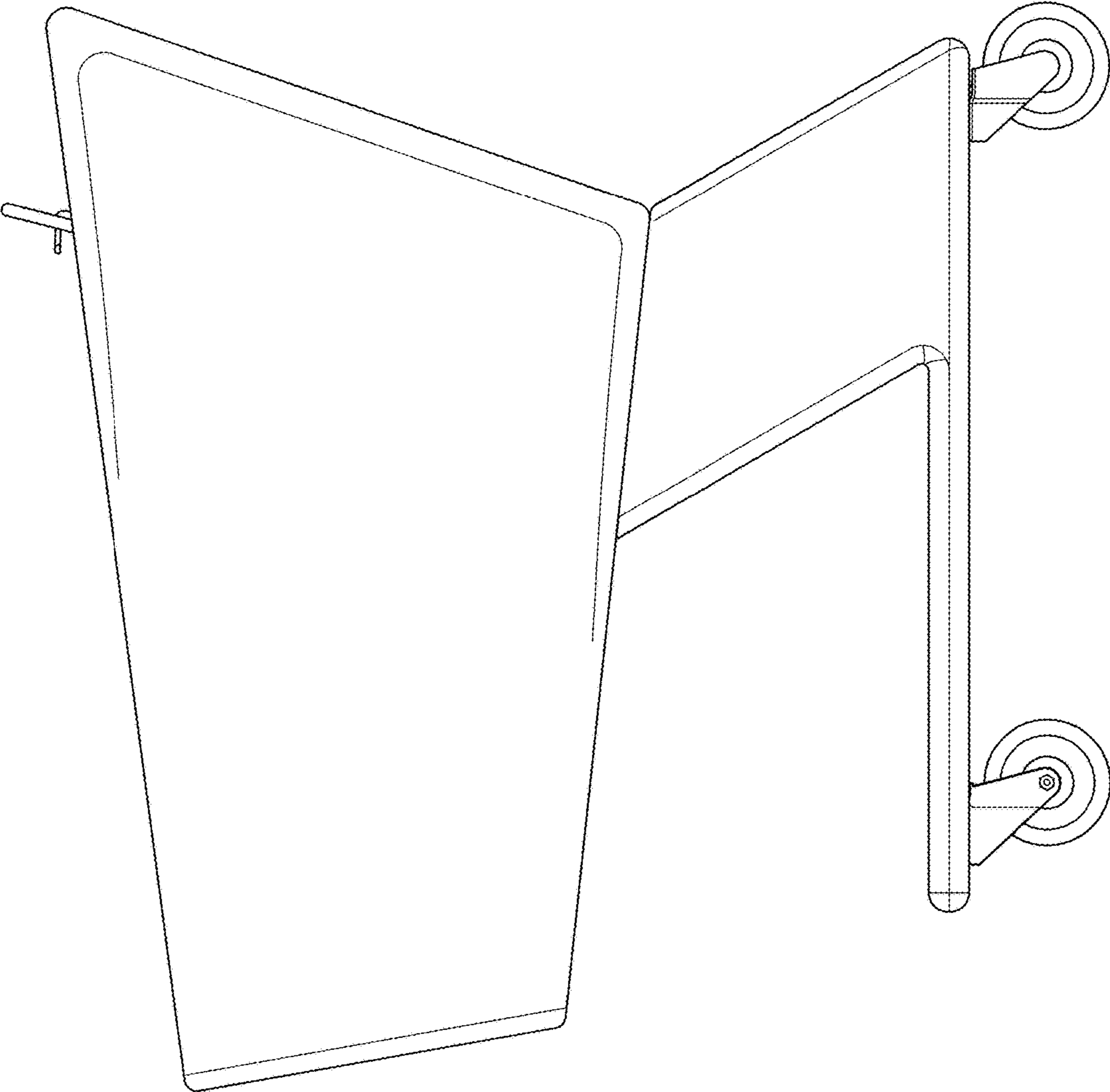


FIG. 8