



US00D850747S

(12) **United States Design Patent**
Zhang et al.

(10) **Patent No.:** **US D850,747 S**
(45) **Date of Patent:** **** Jun. 4, 2019**

(54) **GARDEN COMPOSTER ASSEMBLY**

(71) Applicants: **Jing Zhang**, Houston, TX (US); **Siqi Zhang**, Beijing (CN)

(72) Inventors: **Jing Zhang**, Houston, TX (US); **Siqi Zhang**, Beijing (CN)

(**) Term: **15 Years**

(21) Appl. No.: **29/630,953**

(22) Filed: **Dec. 25, 2017**

(51) **LOC (11) Cl.** **09-09**

(52) **U.S. Cl.**
USPC **D34/1**

(58) **Field of Classification Search**
USPC D34/1-11; D15/10, 199; D22/146;
D23/204; D21/781, 782; 220/908-911,
220/422, 628
CPC B65F 1/1473; B65F 1/1452; B65F
2001/1489; C05F 17/02; C05F 17/0205;
C05F 17/0223; C05F 17/0258; C12M
1/10; C12M 1/00; Y02P 20/145; Y02W
30/43

See application file for complete search history.

(56) **References Cited**

U.S. PATENT DOCUMENTS

D307,434 S * 4/1990 Payack D15/199
D340,559 S * 10/1993 Taylor D34/1
D352,580 S * 11/1994 Cook D34/1
D362,524 S * 9/1995 Fink D34/1

D417,537 S * 12/1999 Livingston D34/5
D602,222 S * 10/2009 Stanford D34/1
7,625,749 B2 * 12/2009 Sundberg C05F 17/0205
366/226
D642,350 S * 7/2011 Messalem D34/1
D649,316 S * 11/2011 Emond D34/1
D799,135 S * 10/2017 Dror D34/1
D799,774 S * 10/2017 Dror D34/1
D817,577 S * 5/2018 Cronkhite D34/1
2009/0325281 A1 * 12/2009 Stanford C05F 17/0205
435/290.1
2013/0052726 A1 * 2/2013 Ashby C05F 17/0205
435/290.3

* cited by examiner

Primary Examiner — Mark A Goodwin

(57) **CLAIM**

The ornamental design for a garden composter assembly, as shown and described.

DESCRIPTION

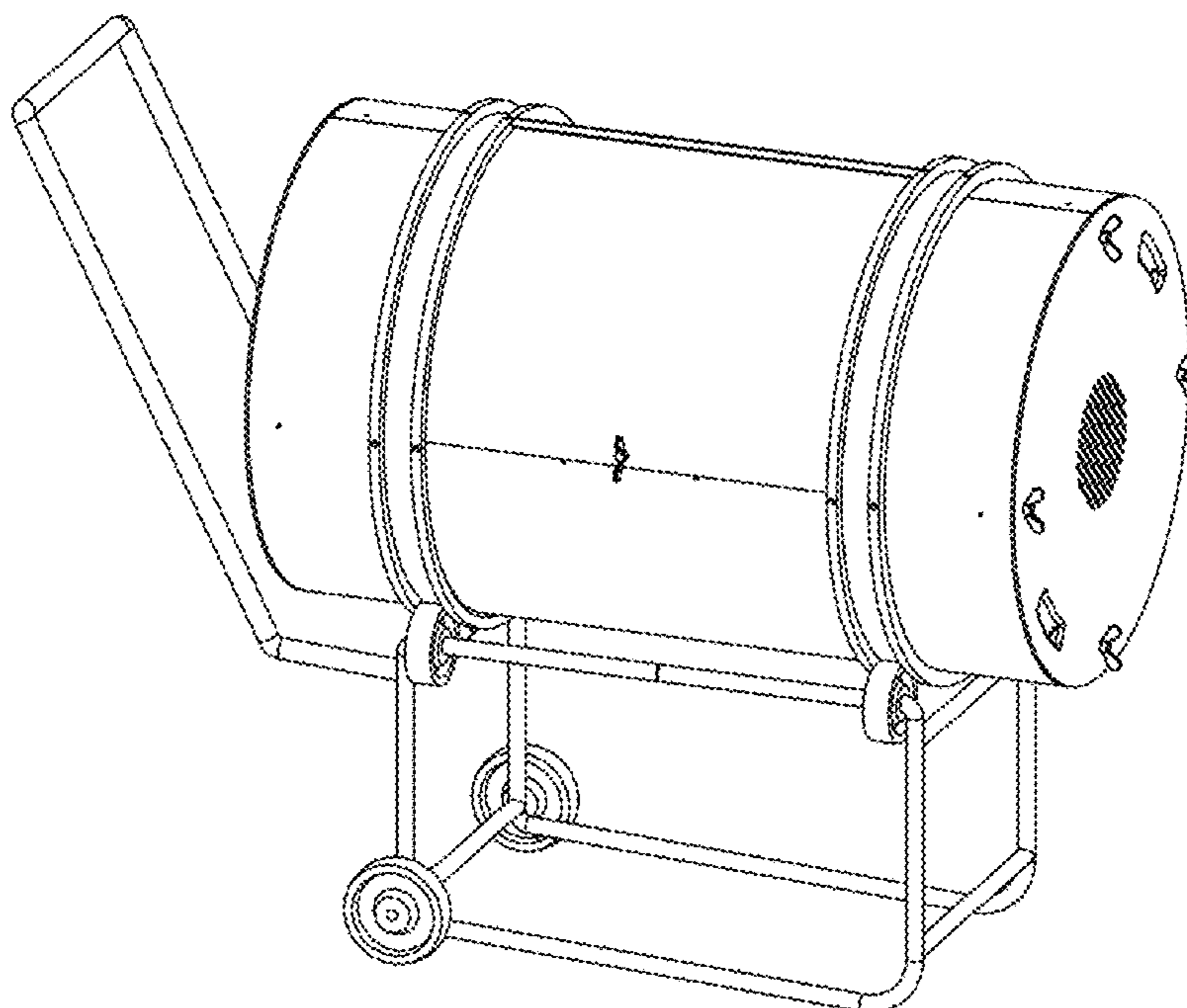
FIG. 1 shows a perspective view of the new garden composter (container and support frame and moving hank track). FIG. 2 shows a perspective view of the container of the new garden composter without an ending closure cap and with the middle door closed.

FIG. 3 shows a perspective view of the container of new garden composter with the middle door opened and the ending closure cap closed.

FIG. 4 shows a perspective view of the container of new garden composter from other side; and,

FIG. 5 shows a perspective view of the support frame and moving hand truck.

1 Claim, 3 Drawing Sheets



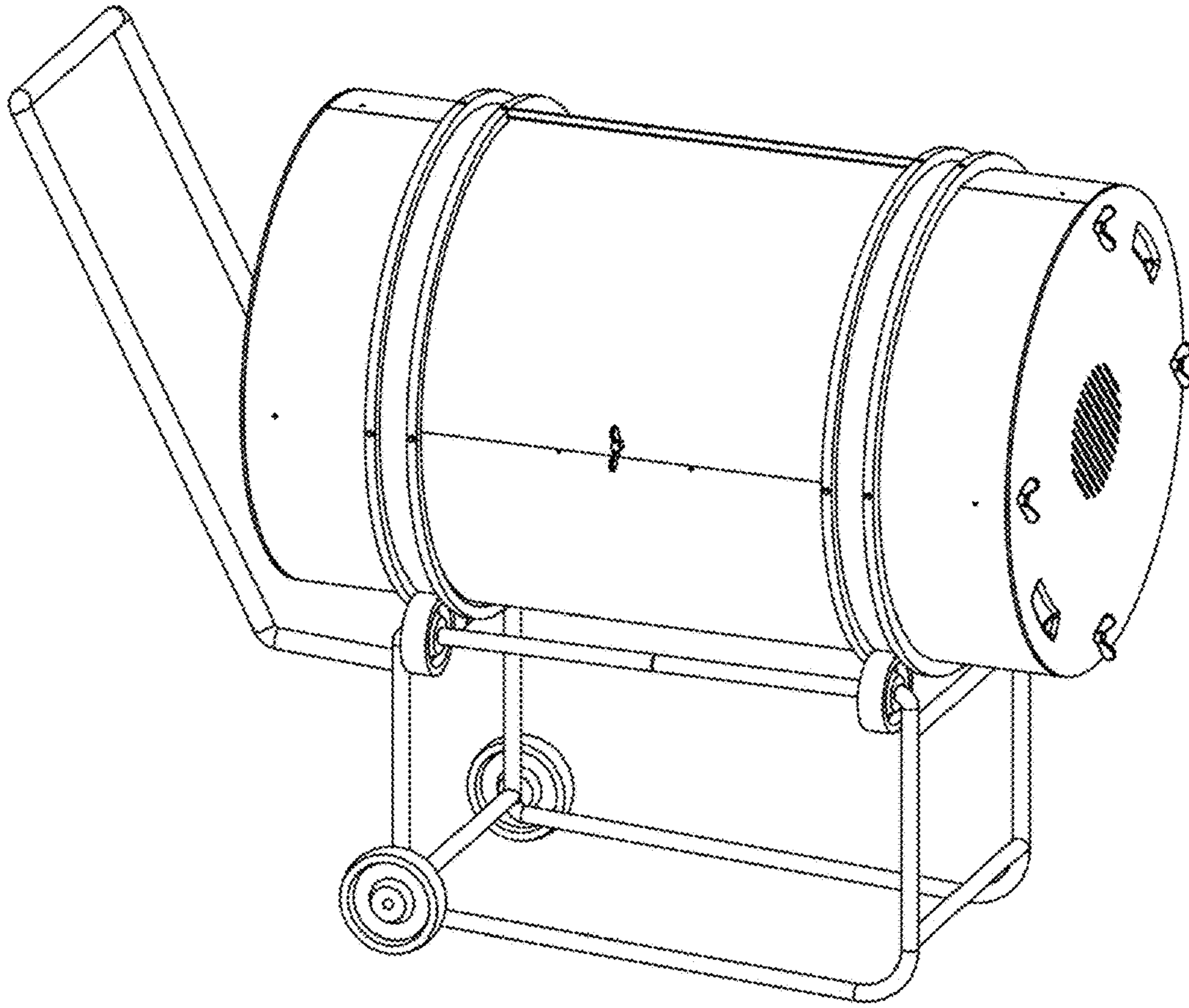


FIG. 1

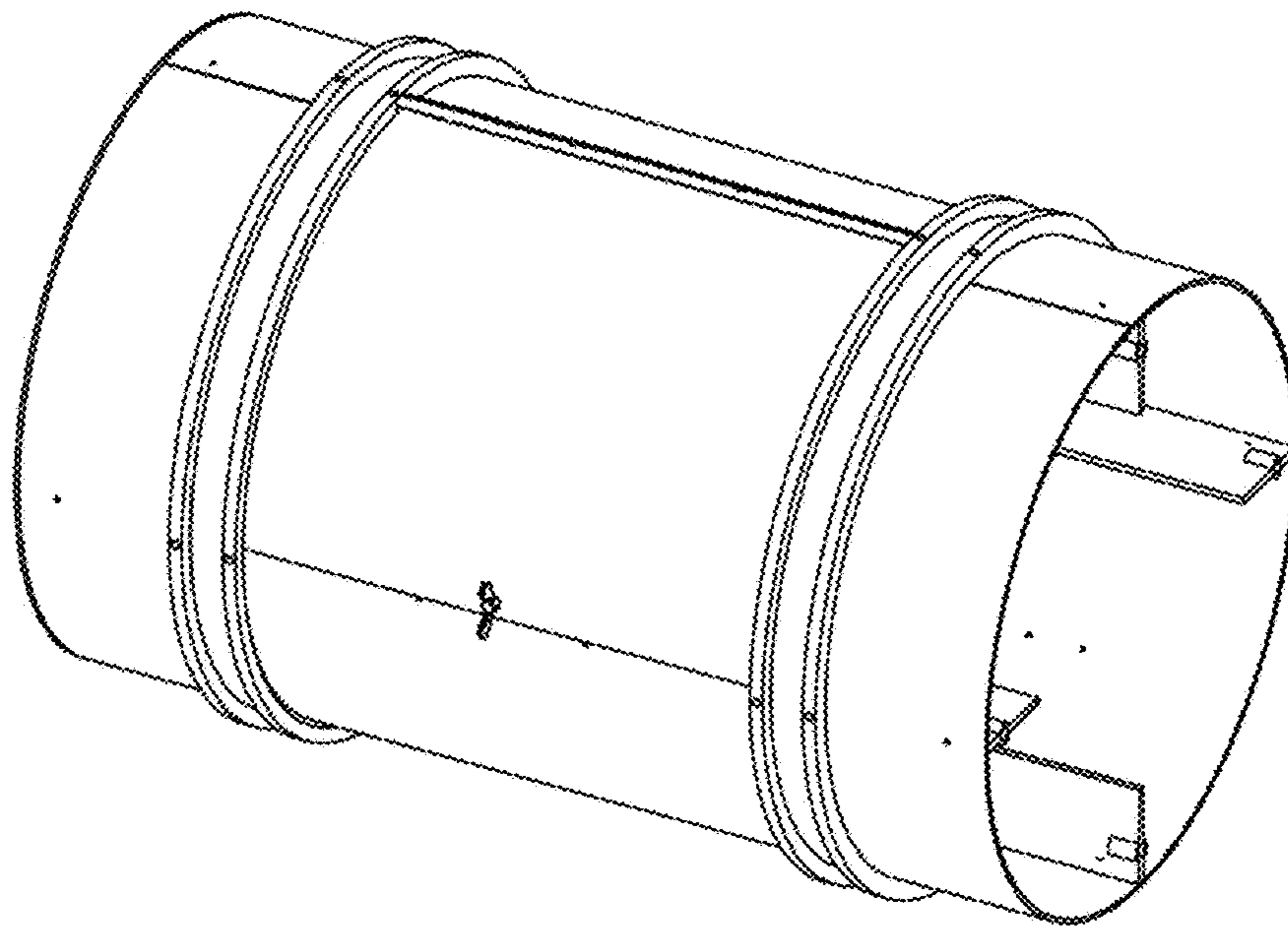


FIG. 2

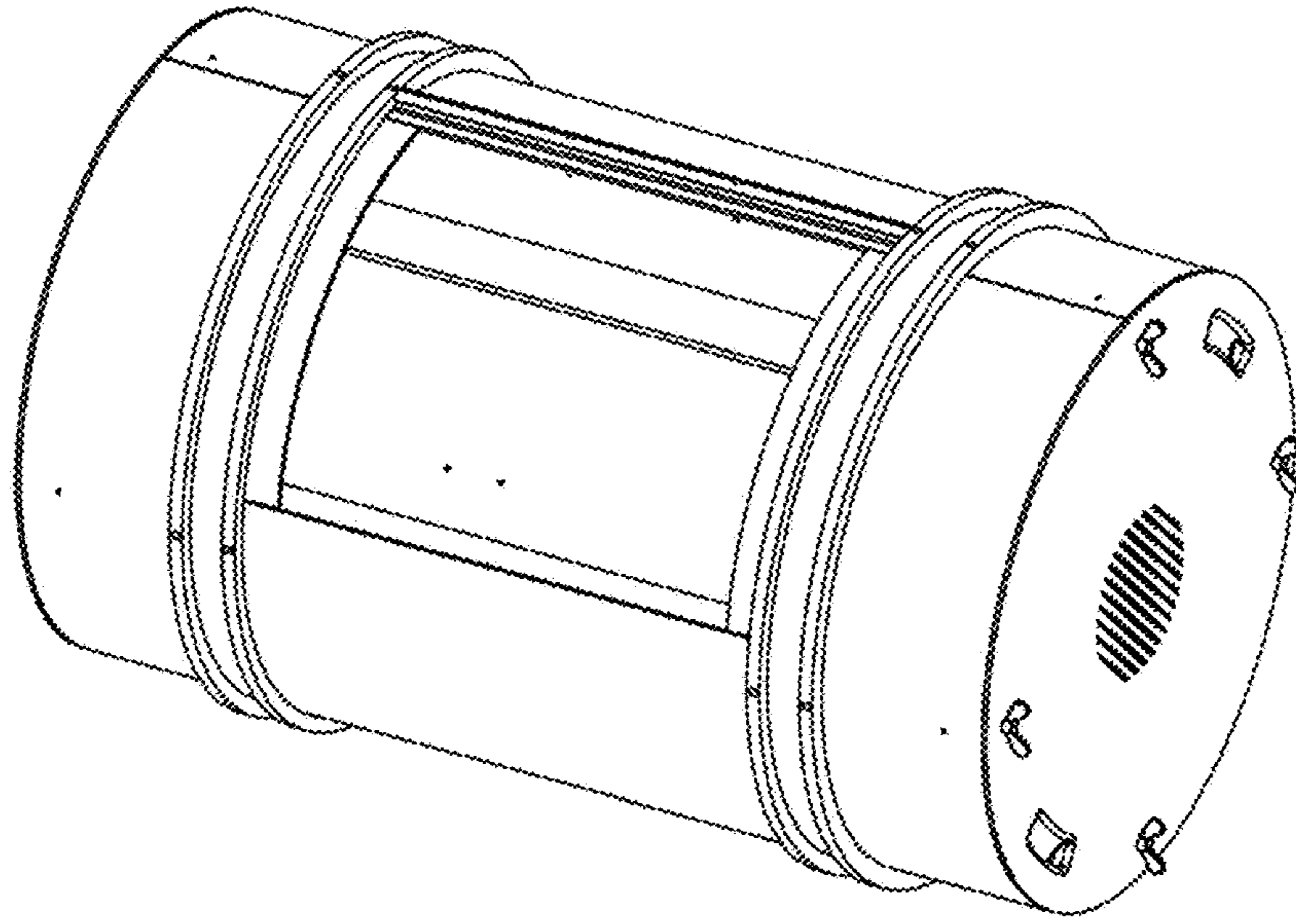


FIG. 3

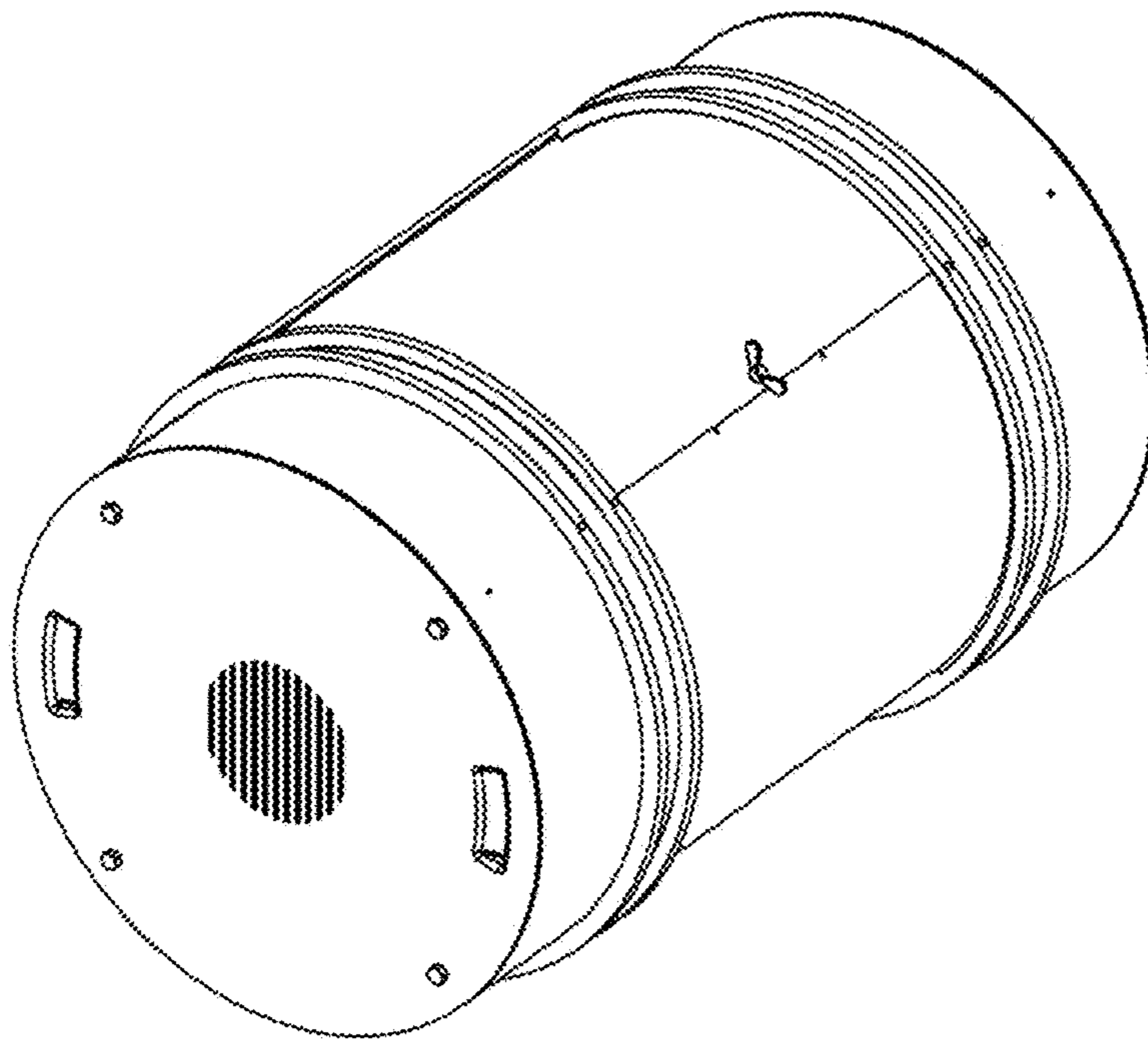


FIG. 4

