



US00D850741S

(12) **United States Design Patent**
Hooley et al.

(10) **Patent No.:** **US D850,741 S**

(45) **Date of Patent:** **** Jun. 4, 2019**

(54) **VACUUM CLEANER**

(71) Applicant: **TTI (MACAO COMMERCIAL OFFSHORE) LIMITED**, Macau (MO)

(72) Inventors: **Brad Hooley**, Charlotte, NC (US); **David Chaney**, Millersburg, OH (US); **Shawn M. Whetstone**, New Albany, OH (US); **Katherine M. Morgan**, Columbus, OH (US); **Michael D. Young**, Westerville, OH (US); **Steven M. Martise**, Gahanna, OH (US)

(73) Assignee: **TTi (Macao Commercial Offshore) Limited**, Praia Grande (MO)

(**) Term: **15 Years**

(21) Appl. No.: **29/607,824**

(22) Filed: **Jun. 16, 2017**

(51) **LOC (11) Cl.** **15-05**

(52) **U.S. Cl.**
USPC **D32/32**

(58) **Field of Classification Search**
USPC D32/17, 22, 31
CPC A47L 11/20; A47L 11/30; A47L 11/34;
A47L 7/0004; A47L 5/28; A47L 5/30;
A47L 5/32
See application file for complete search history.

(56) **References Cited**

U.S. PATENT DOCUMENTS

D730,001 S * 5/2015 Yun D32/22
D739,620 S * 9/2015 Johnson D32/22

9,307,881 B2 * 4/2016 Salo A47L 11/34
D768,944 S * 10/2016 Zhang D32/22
D769,557 S * 10/2016 Johnson D32/22
D770,106 S * 10/2016 Johnson D32/22
D775,440 S * 12/2016 Kwon D32/22
9,591,951 B2 * 3/2017 Rukavina A47L 5/225
D783,912 S * 4/2017 Shin D32/22
D789,626 S * 6/2017 Bloemendaal D32/22
D794,880 S * 8/2017 Zhou D32/22

* cited by examiner

Primary Examiner — Ruth McInroy

(74) *Attorney, Agent, or Firm* — Michael Best & Friedrich LLP

(57) **CLAIM**

We claim the ornamental design for a vacuum cleaner, as shown and described.

DESCRIPTION

FIG. 1 is a perspective view of a vacuum cleaner showing our new design.
FIG. 2 is a right side view of the vacuum cleaner of FIG. 1.
FIG. 3 is a left side view of the vacuum cleaner of FIG. 1.
FIG. 4 is a front view of the vacuum cleaner of FIG. 1.
FIG. 5 is a back view of the vacuum cleaner of FIG. 1; and, FIG. 6 is a top view of the vacuum cleaner of FIG. 1.
The elements shown in broken lines form no part of the claimed design and are included for the purpose of showing the environment of the claimed design.

1 Claim, 5 Drawing Sheets



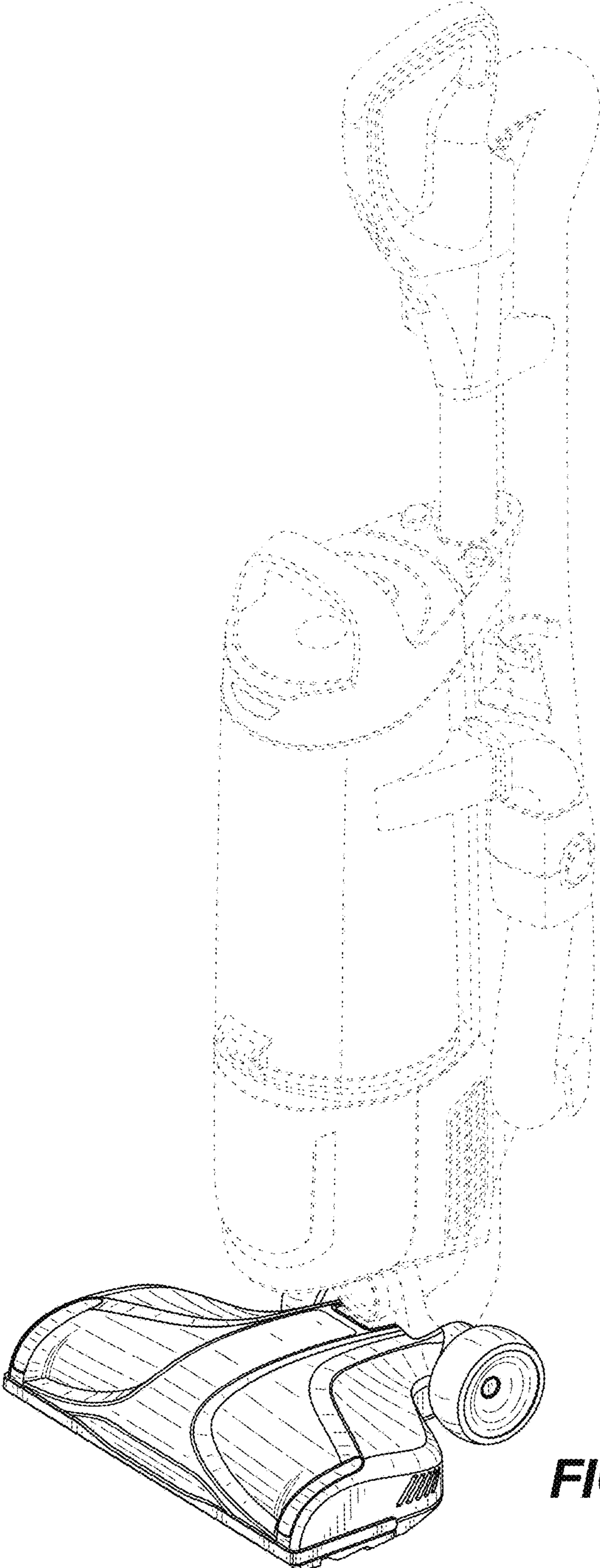


FIG. 1

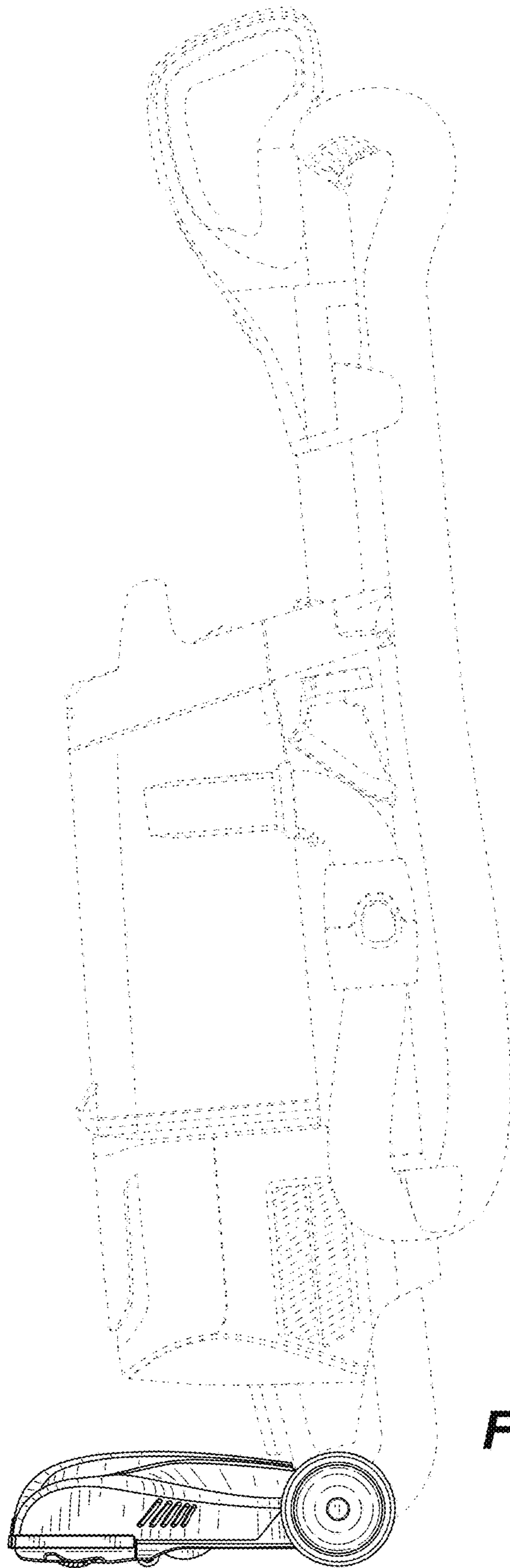


FIG. 2

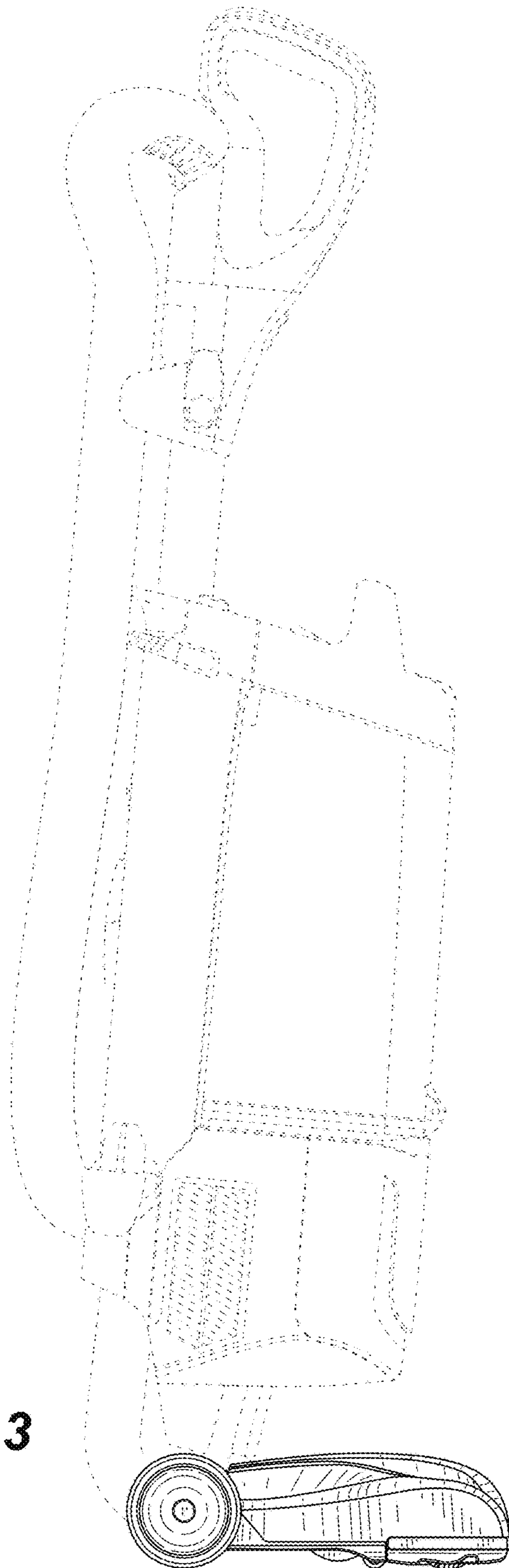


FIG. 3

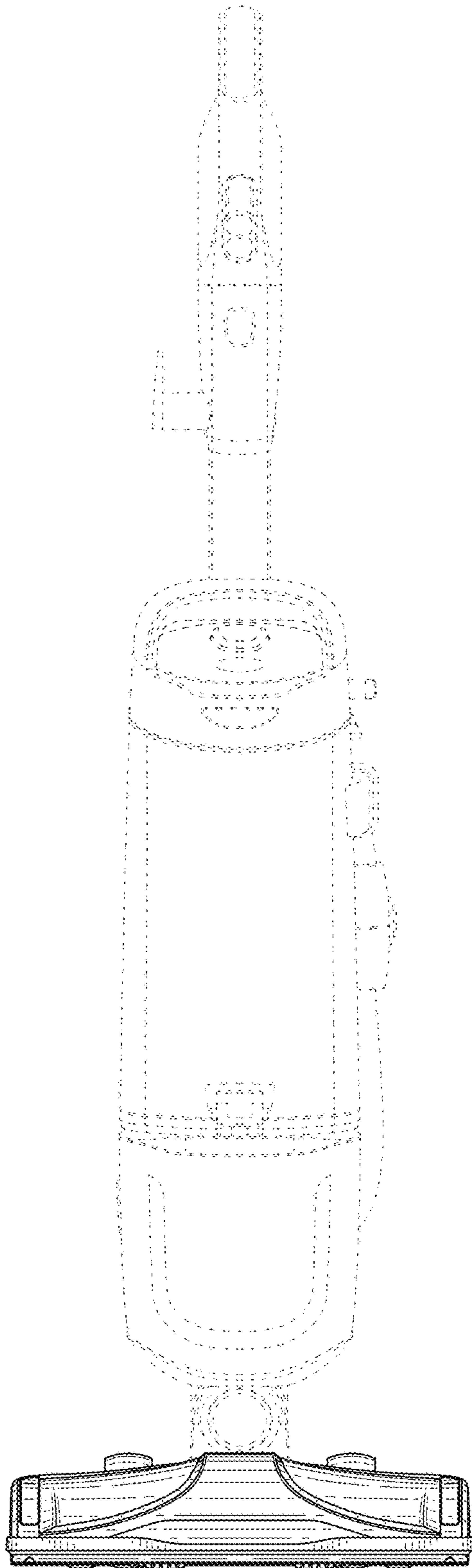


FIG. 4

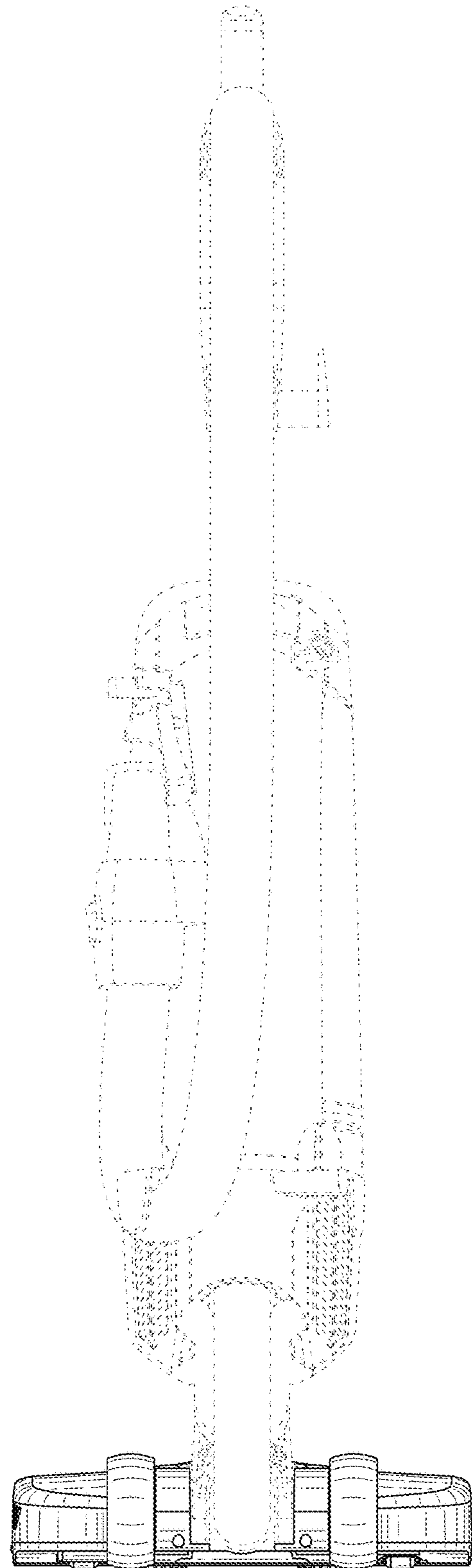


FIG. 5

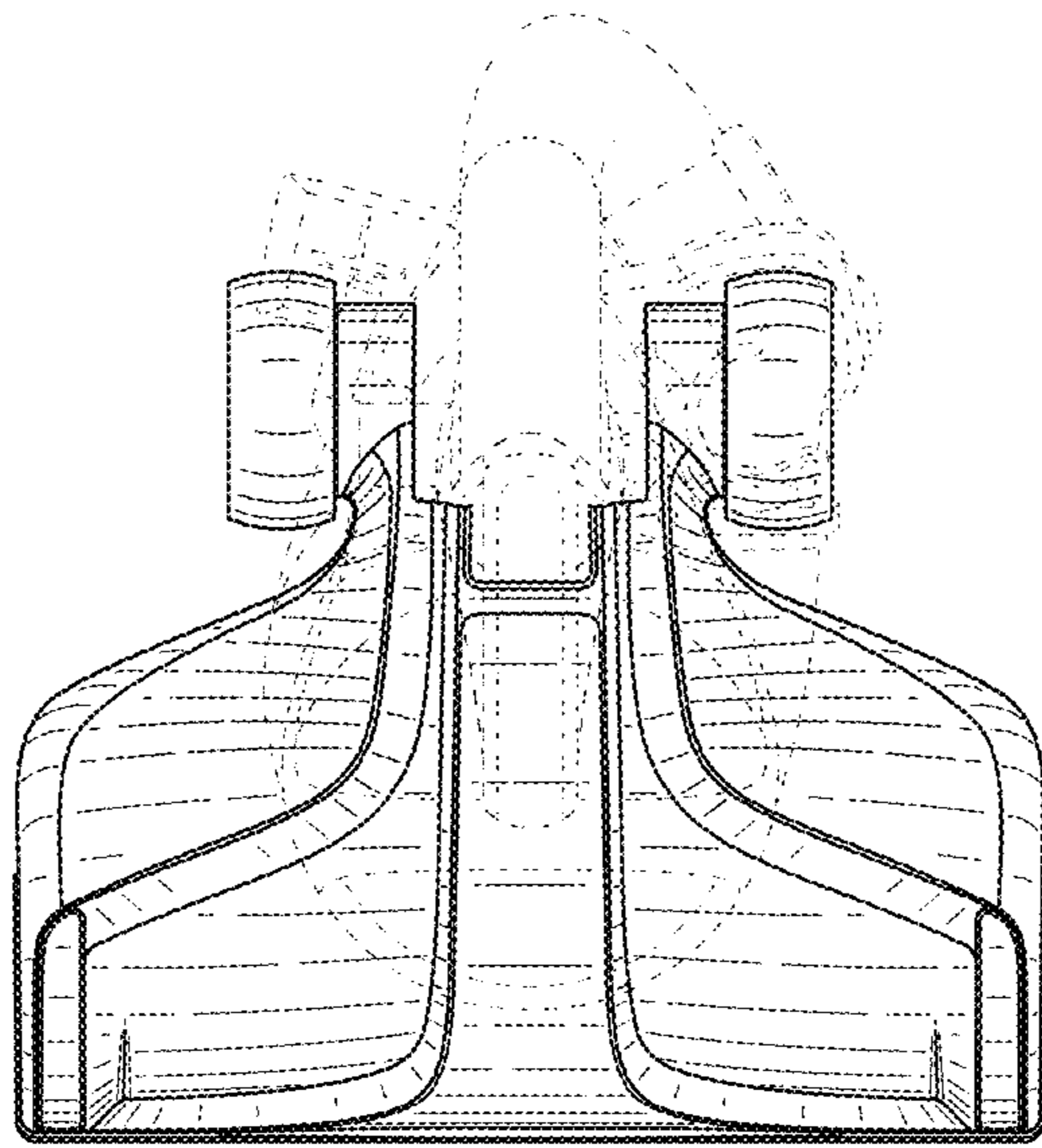


FIG. 6