



US00D850740S

(12) **United States Design Patent**
Taniguchi et al.

(10) **Patent No.:** **US D850,740 S**
(45) **Date of Patent:** **** Jun. 4, 2019**

(54) **ENGINE BLOWER**

(71) Applicant: **Hitachi Koki Co., Ltd.**, Minato-Ku,
Tokyo (JP)

(72) Inventors: **Takeshi Taniguchi**, Hitachinaka (JP);
Rui Akiba, Hitachinaka (JP); **Keisuke Ikeda**, Hitachinaka (JP)

(73) Assignee: **Hitachi Koki Co., Ltd.**, Minato-Ku,
Tokyo (JP)

(**) Term: **15 Years**

(21) Appl. No.: **29/636,660**

(22) Filed: **Feb. 9, 2018**

(30) **Foreign Application Priority Data**

Oct. 6, 2017 (JP) 2017-022227

(51) **LOC (11) Cl.** **15-05**

(52) **U.S. Cl.**
USPC **D32/15; D15/12**

(58) **Field of Classification Search**
USPC D15/11, 12; D12/2, 231, 340-343;
D32/15, 16, 17, 18, 21, 25, 1, 5, 12;
D23/383, 370, 213; 15/300.1, 344, 345,
15/405, 414-415.1
CPC A47L 5/14; A47L 9/32; F04B 35/04; F04B
17/00
See application file for complete search history.

D426,354 S * 6/2000 Ohi D32/15
D431,697 S * 10/2000 Hayakawa D32/15
D473,024 S * 4/2003 Griffin D32/15
D498,885 S * 11/2004 Robson D32/15
6,834,413 B2 * 12/2004 Sanders A47L 5/14
15/405
D526,750 S * 8/2006 Ito D32/15
D556,395 S * 11/2007 Martin D32/15
D558,939 S * 1/2008 Yuasa D32/15
D584,460 S * 1/2009 Sweeney D32/15
D584,461 S * 1/2009 Sweeney D32/15
D605,819 S * 12/2009 Tinius D32/15
D615,716 S * 5/2010 Tinius D32/15
7,735,188 B2 * 6/2010 Shaffer E01H 1/0809
15/405
D637,774 S * 5/2011 Li D32/15
D640,846 S * 6/2011 Tinius D32/15
D711,056 S * 8/2014 Crawley D15/12
D711,057 S * 8/2014 Crawley D15/12
D719,307 S * 12/2014 Carl D15/12
D729,999 S * 5/2015 Aoi D15/12
D735,960 S * 8/2015 Zhang D32/15

(Continued)

Primary Examiner — Mark A Goodwin
(74) *Attorney, Agent, or Firm* — Banner & Witcoff, Ltd.

(57) **CLAIM**

The ornamental design for an engine blower, as shown and described.

DESCRIPTION

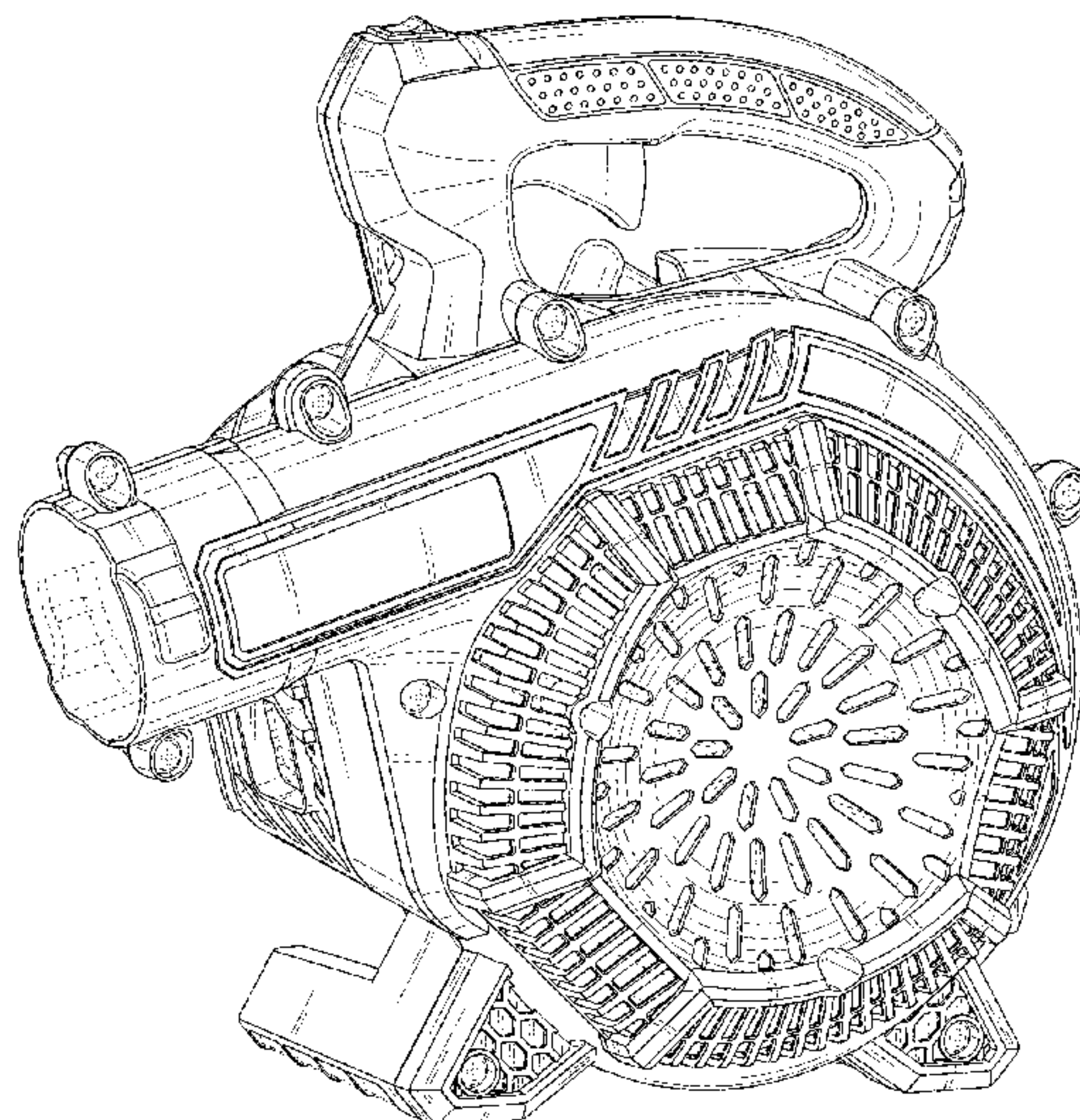
FIG. 1 is a front, left, upper perspective view of a portable electric driver body showing our new design;
FIG. 2 is a front view thereof;
FIG. 3 is a rear side view thereof;
FIG. 4 is a left side view thereof;
FIG. 5 is a right side view thereof;
FIG. 6 is a top plan view thereof; and,
FIG. 7 is a bottom side view thereof.
The broken lines in the figures represent features that form no part of the claimed design.

1 Claim, 7 Drawing Sheets

(56) **References Cited**

U.S. PATENT DOCUMENTS

D304,510 S * 11/1989 Baker D32/15
D358,912 S * 5/1995 Baker D32/15
D368,341 S * 3/1996 Pink D32/15
D400,322 S * 10/1998 Webster D32/15
D416,360 S * 11/1999 Enkyo D32/15



(56)

References Cited

U.S. PATENT DOCUMENTS

D741,917 S * 10/2015 Tinius D15/15
D742,603 S * 11/2015 Tschopp D15/12
D746,004 S * 12/2015 Murray D15/12
D748,876 S * 2/2016 Carl D15/12
D748,877 S * 2/2016 Tirone D15/12
D812,825 S * 3/2018 Smith D32/15
D834,270 S * 11/2018 Naslund D32/15
D834,271 S * 11/2018 Naslund D32/15
2008/0127448 A1* 6/2008 Kreamler A47L 5/14
15/330
2008/0152487 A1* 6/2008 Shaffer F04D 25/084
415/208.1
2012/0138717 A1* 6/2012 Svoboda E01H 1/0809
241/56
2013/0239357 A1* 9/2013 Hoffman B65H 75/42
15/323

* cited by examiner

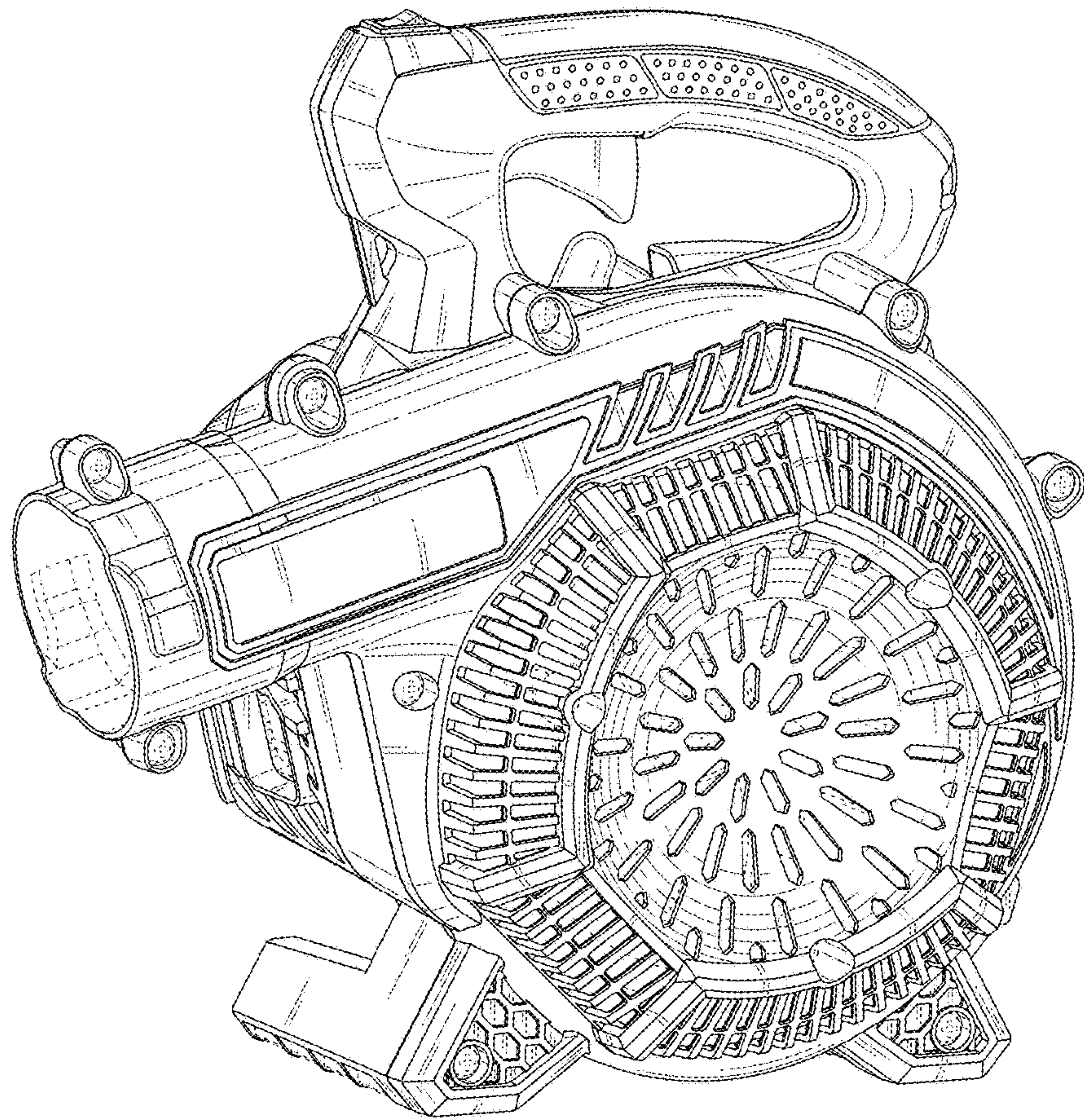


FIG. 1

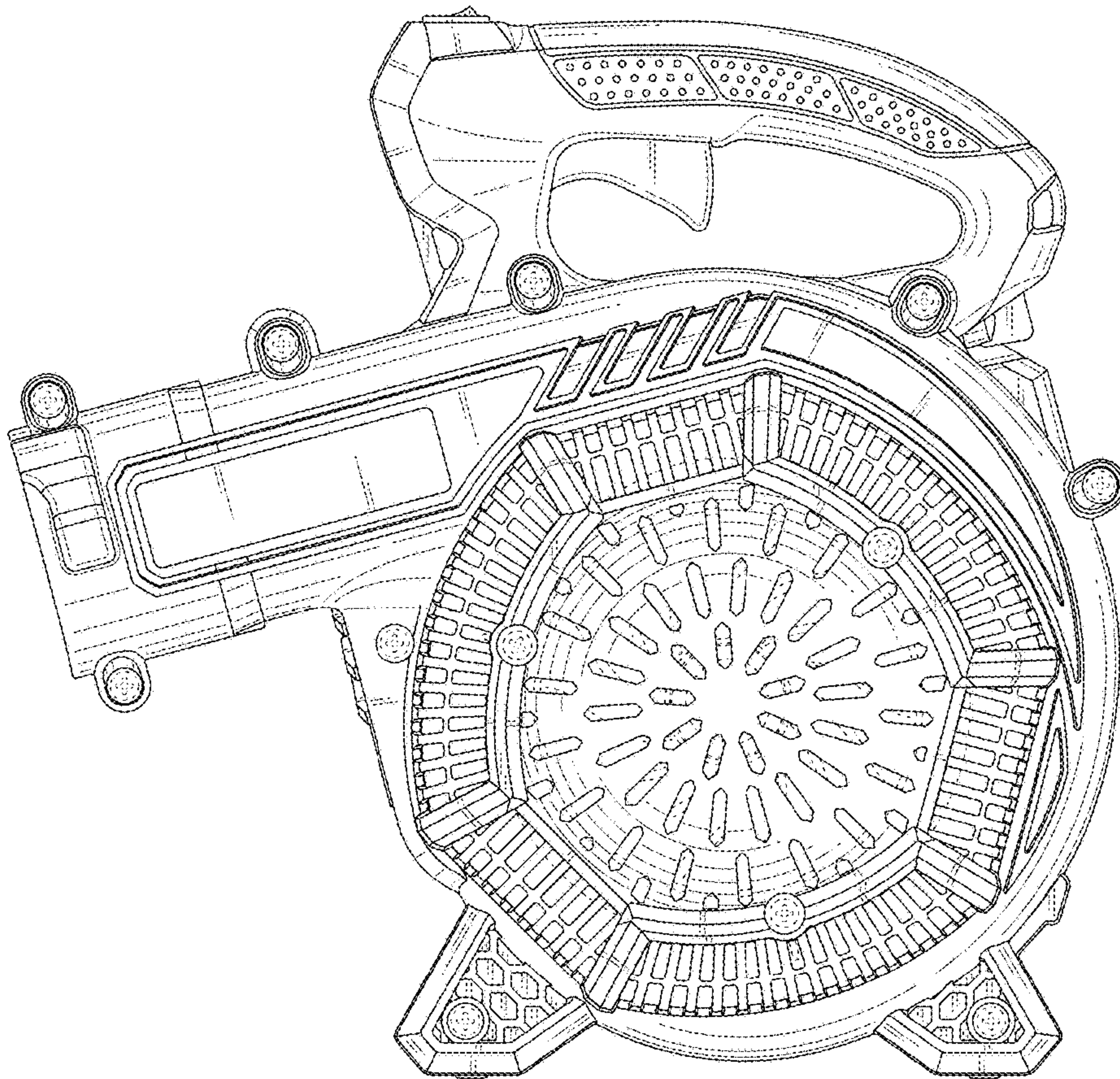


FIG. 2

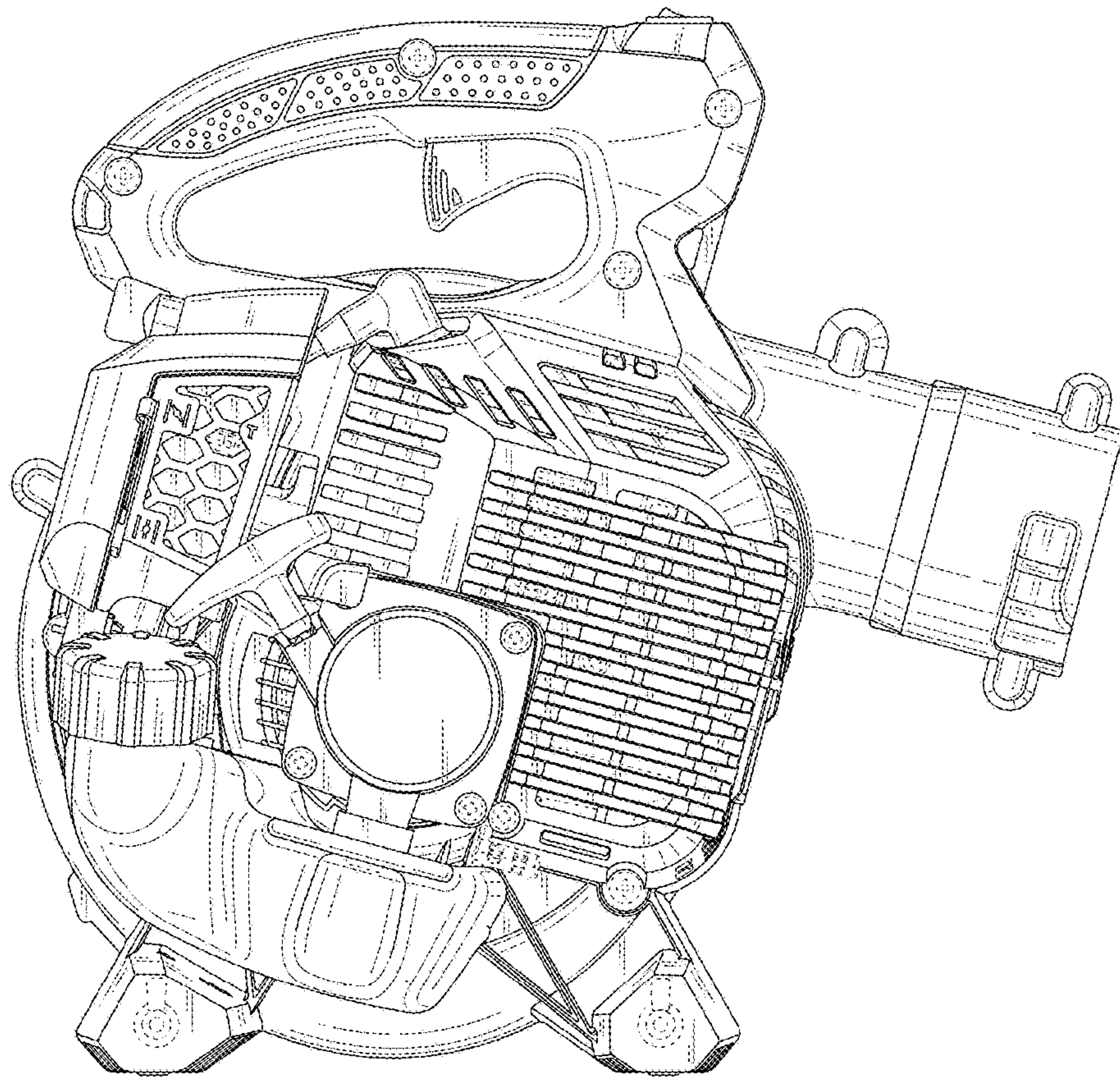


FIG. 3

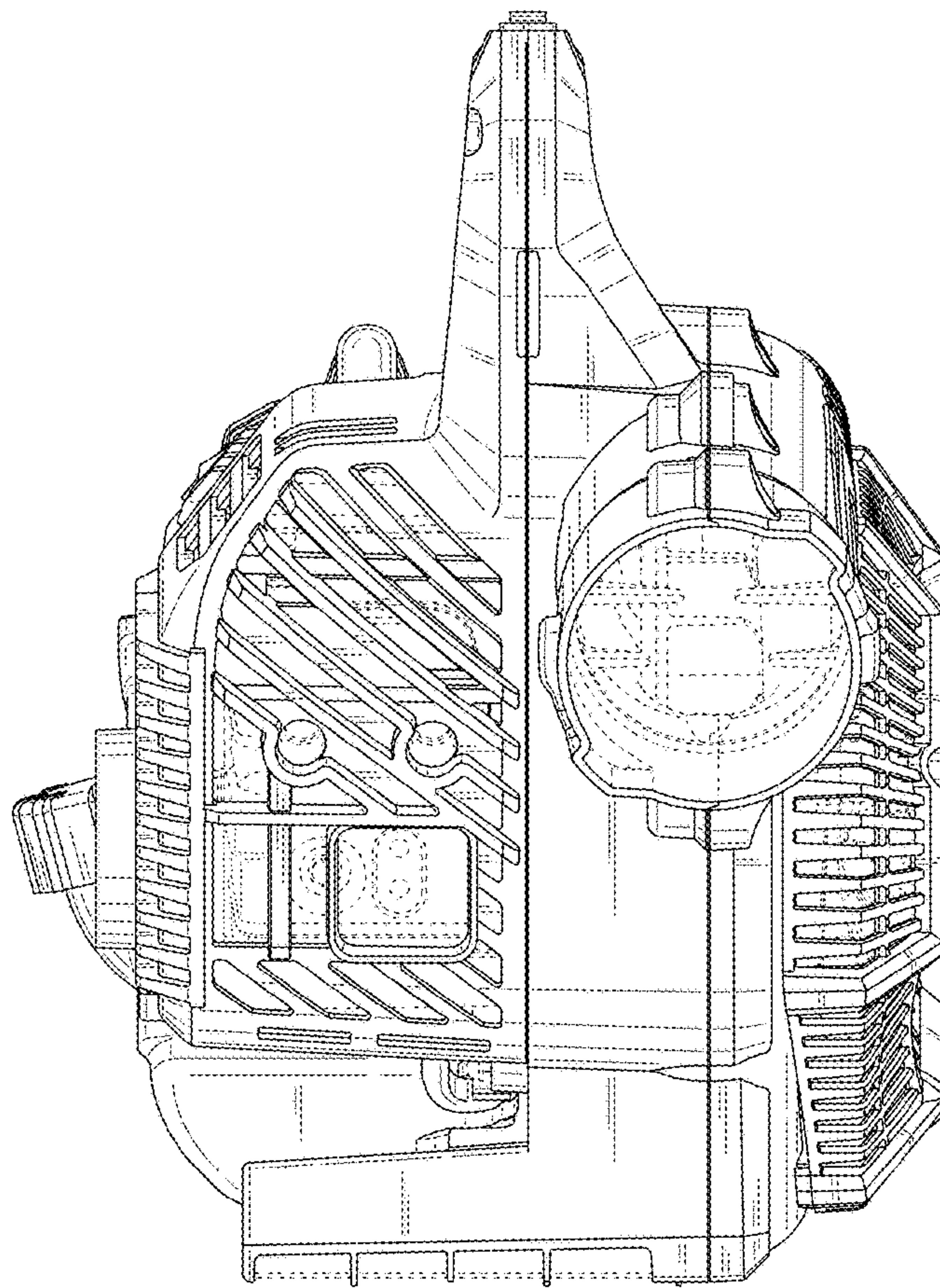


FIG. 4

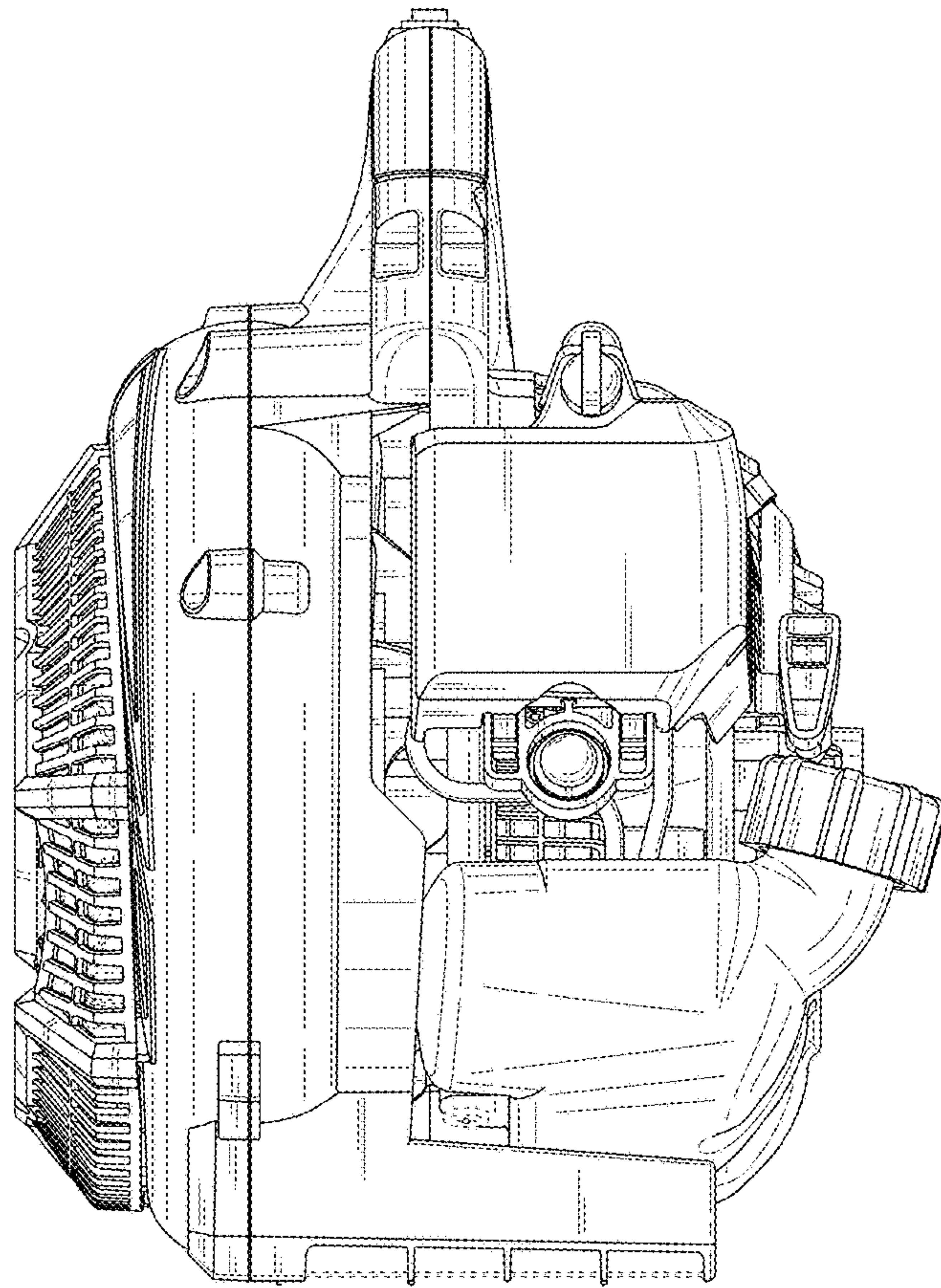


FIG. 5

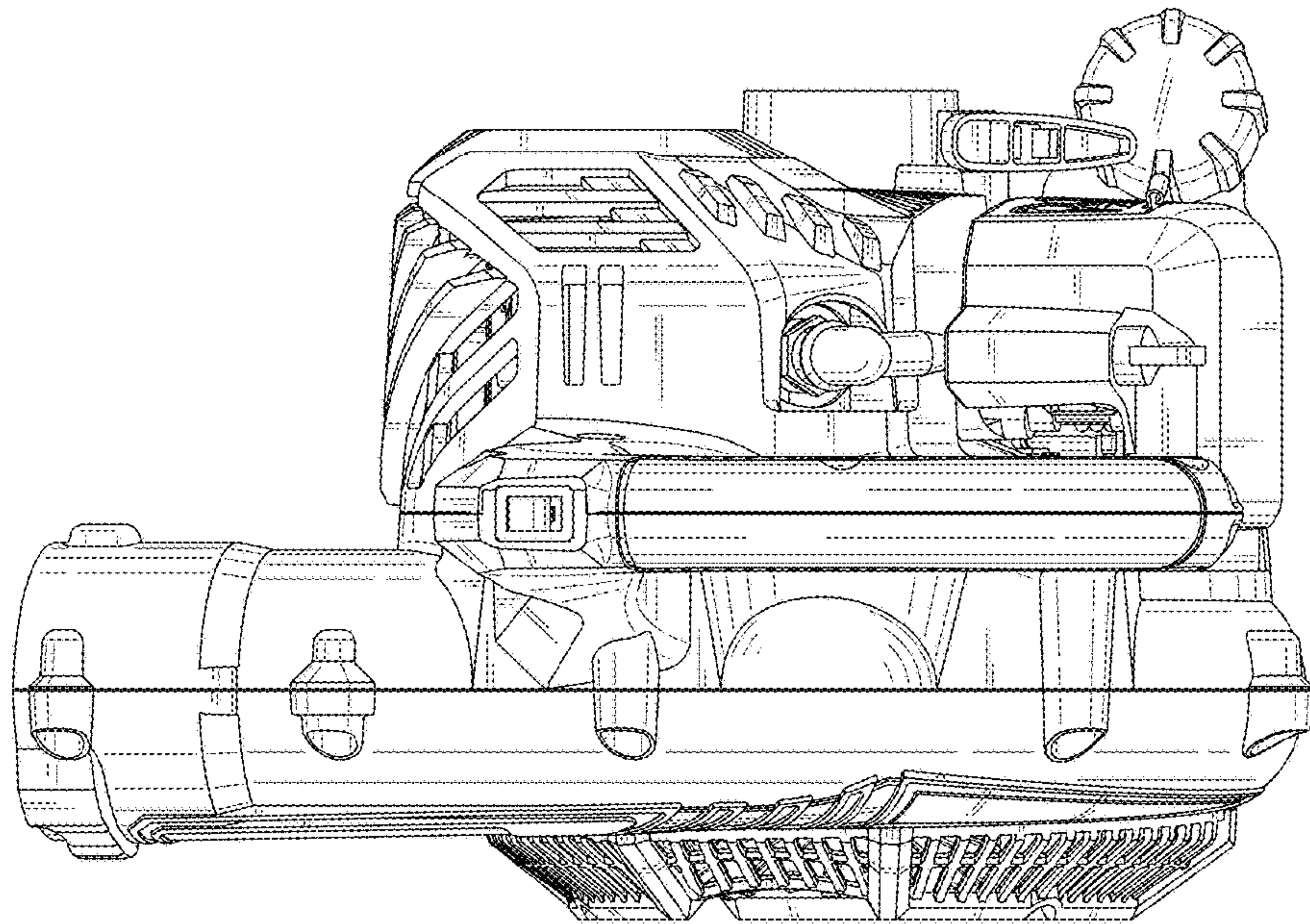


FIG. 6

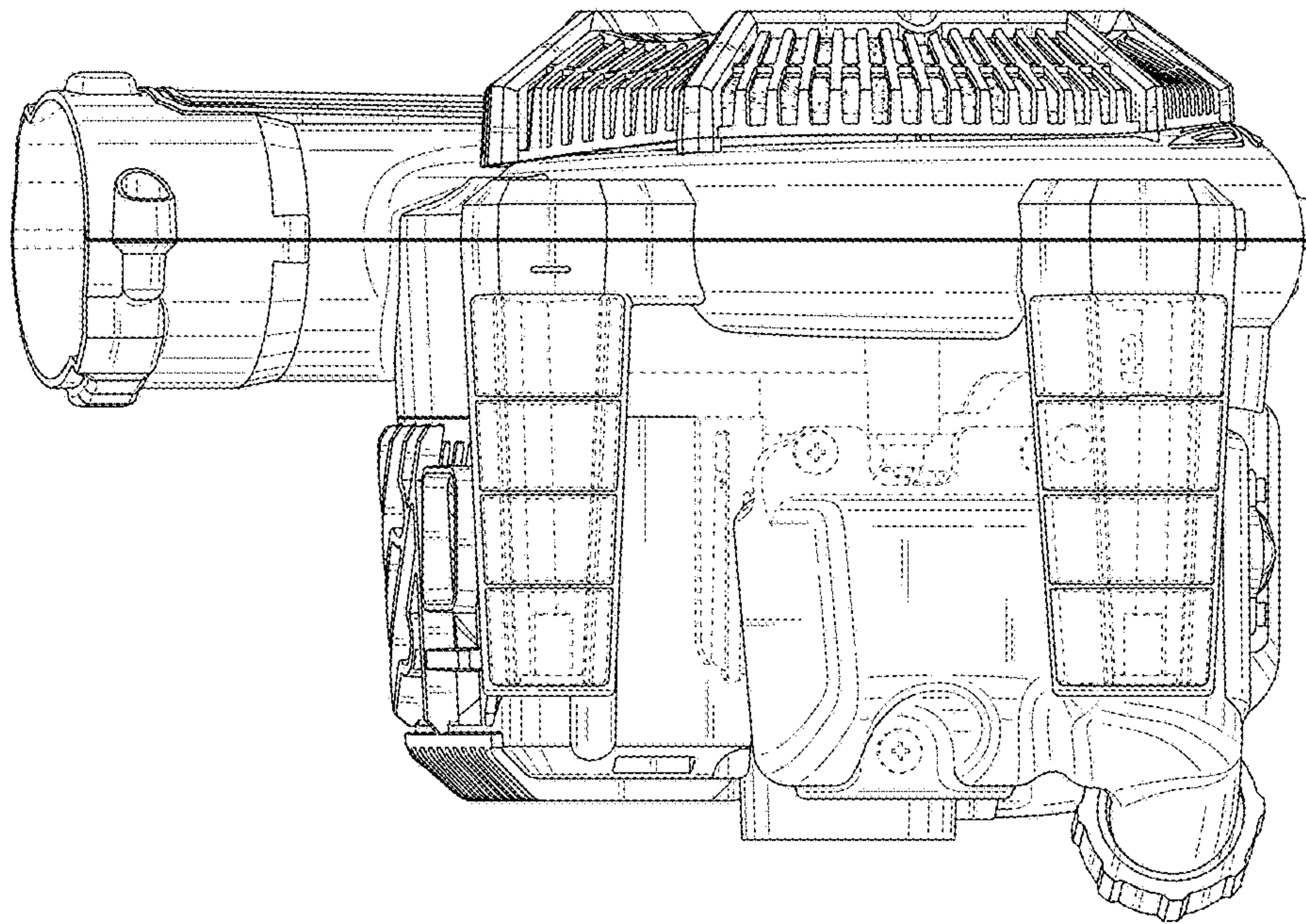


FIG. 7