



US00D850739S

(12) **United States Design Patent**
Fan

(10) **Patent No.:** **US D850,739 S**

(45) **Date of Patent:** **** Jun. 4, 2019**

(54) **PIPE DREDGE**

5,265,301 A * 11/1993 Irwin E03F 9/005
15/104.33

(71) Applicant: **SHANGHAI KUNJEK HANDTOOLS
AND HARDWARE CO., LTD.,**
Shanghai (CN)

9,670,656 B2 * 6/2017 Rutkowski E03C 1/302
2008/0244816 A1 * 10/2008 Babb B08B 9/045
4/255.01

(72) Inventor: **Yeyi Fan, Shanghai (CN)**

(73) Assignee: **SHANGHAI KUNJEK HANDTOOLS
AND HARDWARE CO., LTD.,**
Shanghai (CN)

FOREIGN PATENT DOCUMENTS

CN 303132400 * 3/2015
CN 303284483 * 7/2015
CN 303365643 * 9/2015

(Continued)

(**) Term: **15 Years**

OTHER PUBLICATIONS

(21) Appl. No.: **29/615,594**

Plumbing Snake posted by Tani League posted date Oct. 9, 2017, ©
YouTube, [online], [site visited Nov. 7, 2018]. Available from
Internet, https://www.youtube.com/watch?v=SvZg_gQnaZo (Year:
2017).*

(22) Filed: **Aug. 30, 2017**

(Continued)

(30) **Foreign Application Priority Data**

Mar. 3, 2017 (CN) 2017 3 0059730

(51) **LOC (11) Cl.** **15-05**

(52) **U.S. Cl.**
USPC **D32/14**

(58) **Field of Classification Search**
USPC D32/1, 14, 25, 34, 35; D23/223, 224;
D6/524; D28/7; 4/255.05, 255.01,
4/255.12, 255.09, 255.11; 15/406,
15/104.05, 104.31, 104.32, 104.33;
D8/51, 70

CPC .. E03D 9/00; E03C 1/30; E03C 1/308; A47K
11/10; E03F 9/005; B08B 9/045

See application file for complete search history.

Primary Examiner — Cynthia Ramirez

Assistant Examiner — Laura H Yu

(74) *Attorney, Agent, or Firm* — Muncy, Geissler, Olds &
Lowe, P.C.

(57) **CLAIM**

The ornamental design for a pipe dredge, as shown and
described.

DESCRIPTION

FIG. 1 is a perspective view of a pipe dredge showing my
new design;

FIG. 2 is a front elevational view thereof;

FIG. 3 is a rear elevational view thereof;

FIG. 4 is a left side view thereof;

FIG. 5 is a right side view thereof;

FIG. 6 is a top plan view thereof; and,

FIG. 7 is a bottom plan view thereof.

The broken lines surrounding the light gray in the figures are
included for the purpose of illustrating portions of the pipe
dredge that form no form of the claimed design.

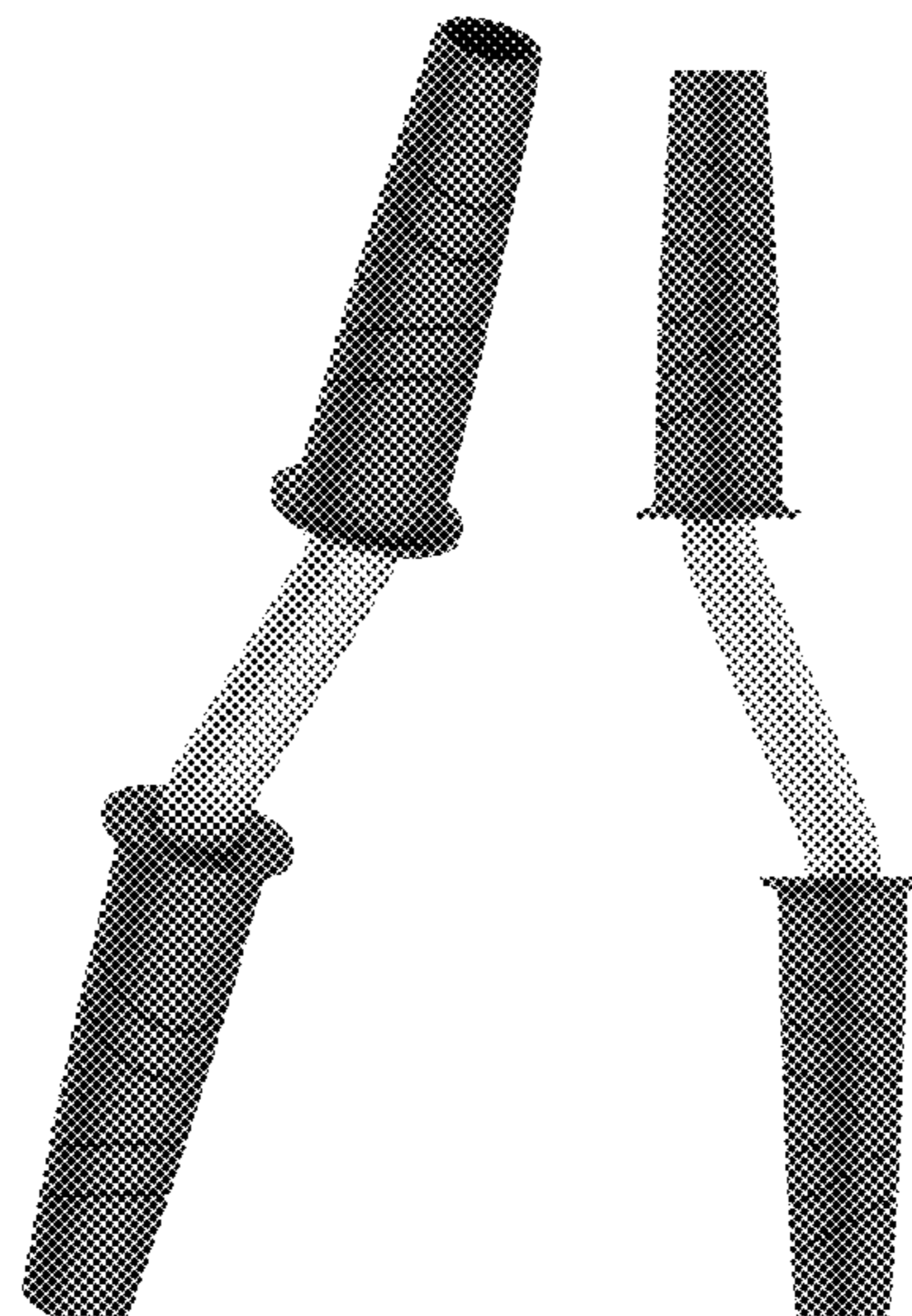
(56) **References Cited**

U.S. PATENT DOCUMENTS

984,473 A * 2/1911 Cornelius E03F 9/005
15/104.33

D237,678 S * 11/1975 Spencer D22/108

1 Claim, 7 Drawing Sheets



(56)

References Cited

FOREIGN PATENT DOCUMENTS

CN	303485920	* 12/2015
CN	304199960	* 7/2017
CN	304216161	* 7/2017

OTHER PUBLICATIONS

Drain Auger posted by Husky posted date Oct. 5, 2017, © Home Depot, [online], [site visited Nov. 7, 2018]. Available from Internet, <https://www.homedepot.com/p/Husky-1-4-in-x-15-ft-Drain-Auger-82-970-111> (Year: 2017).*

* cited by examiner

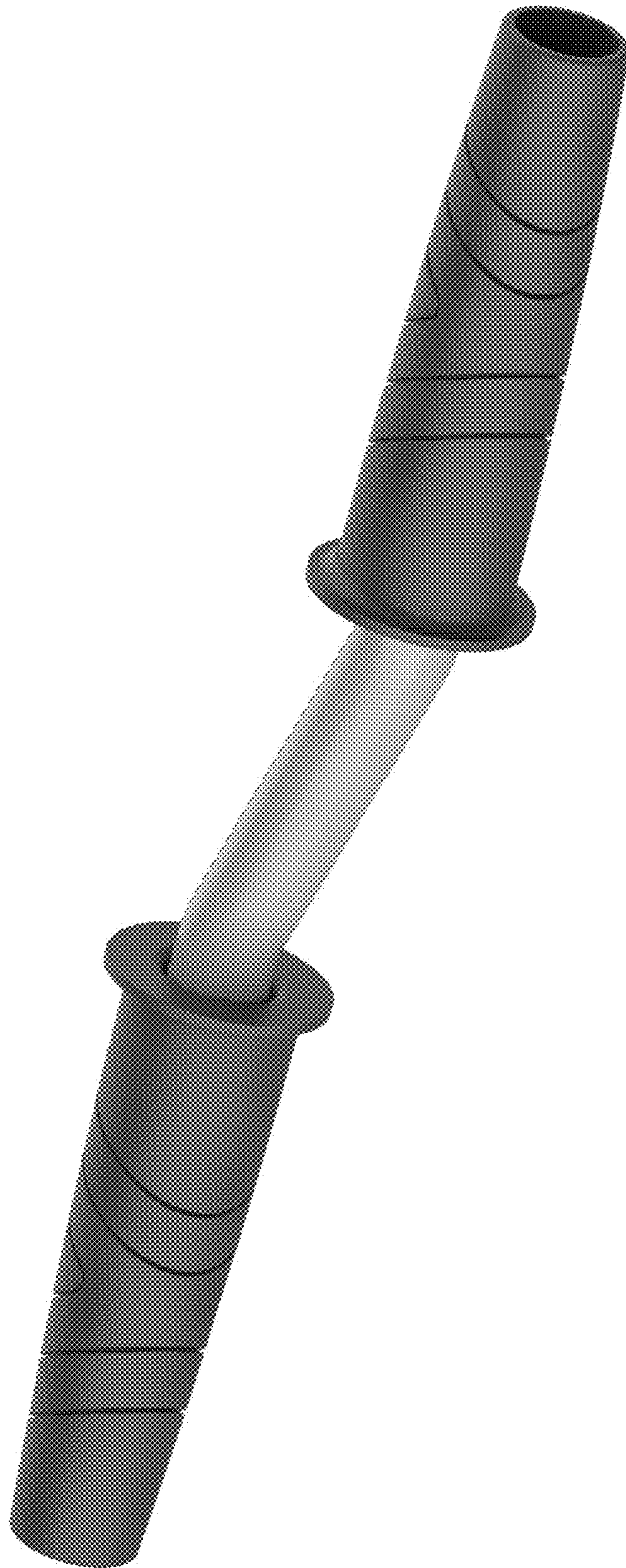


Fig. 1

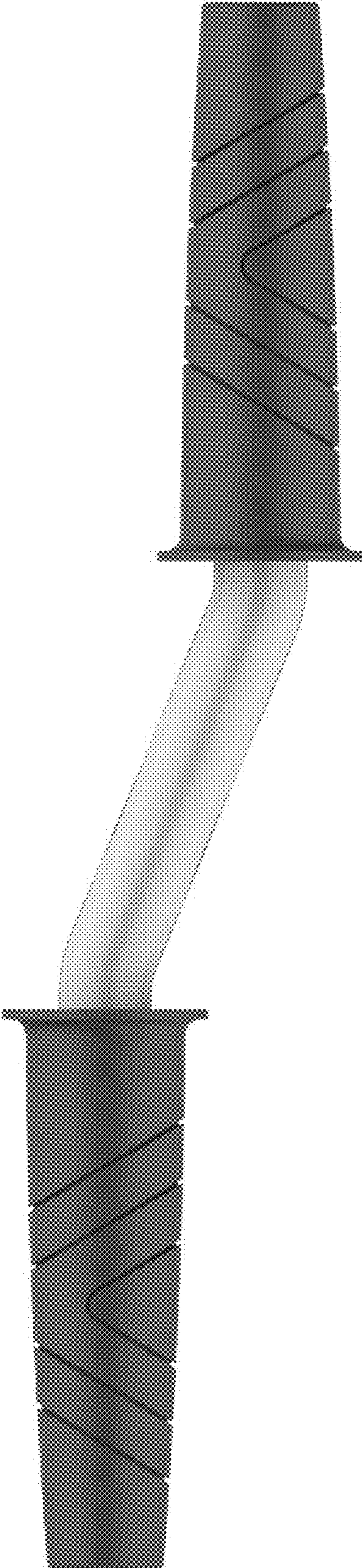


Fig. 2

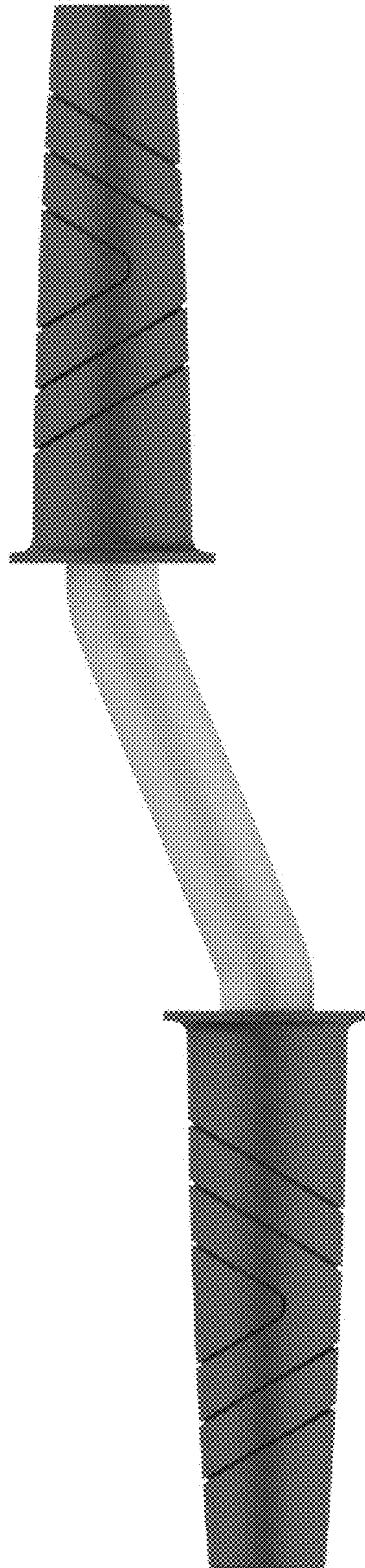


Fig. 3

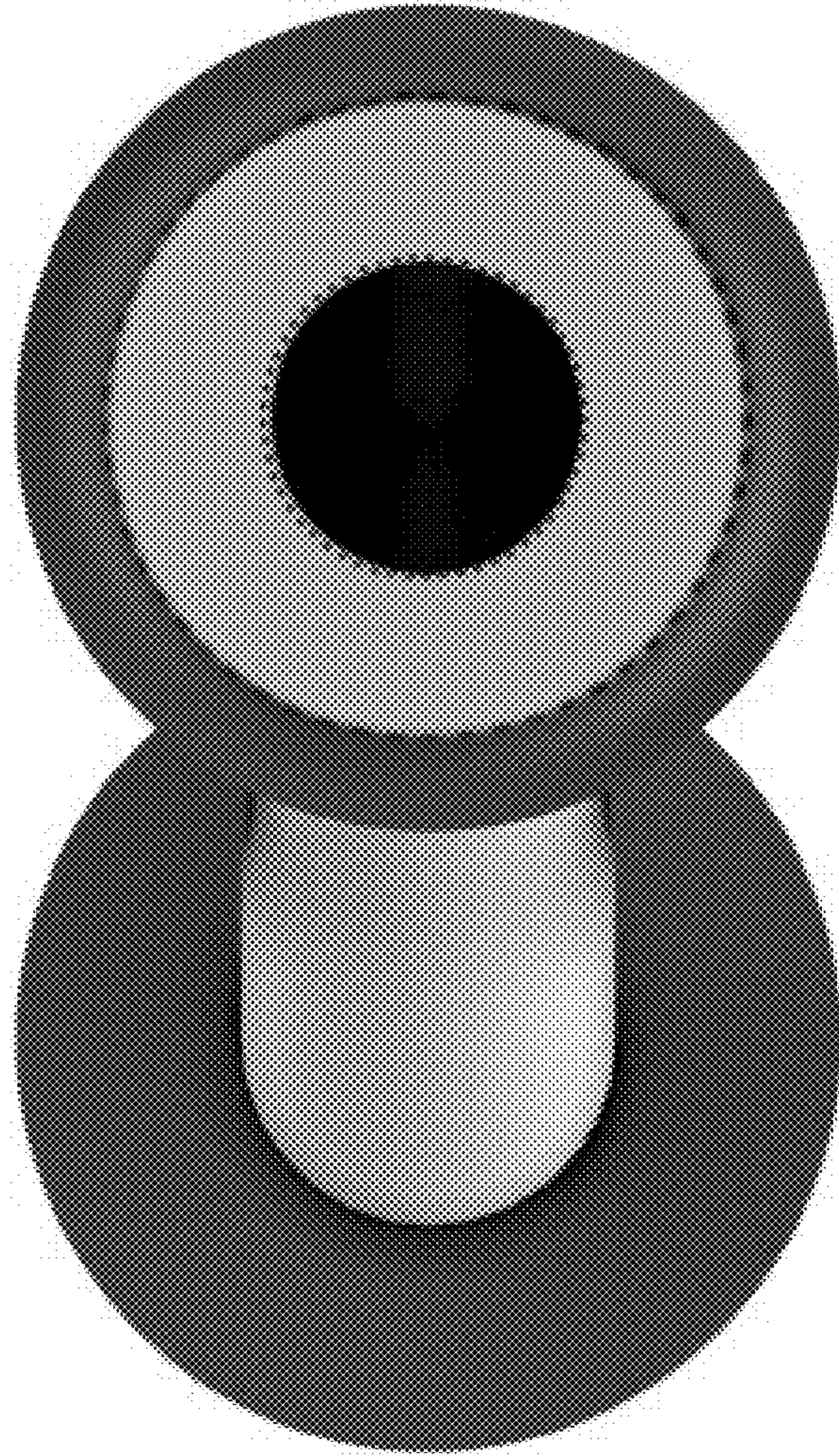


Fig. 4

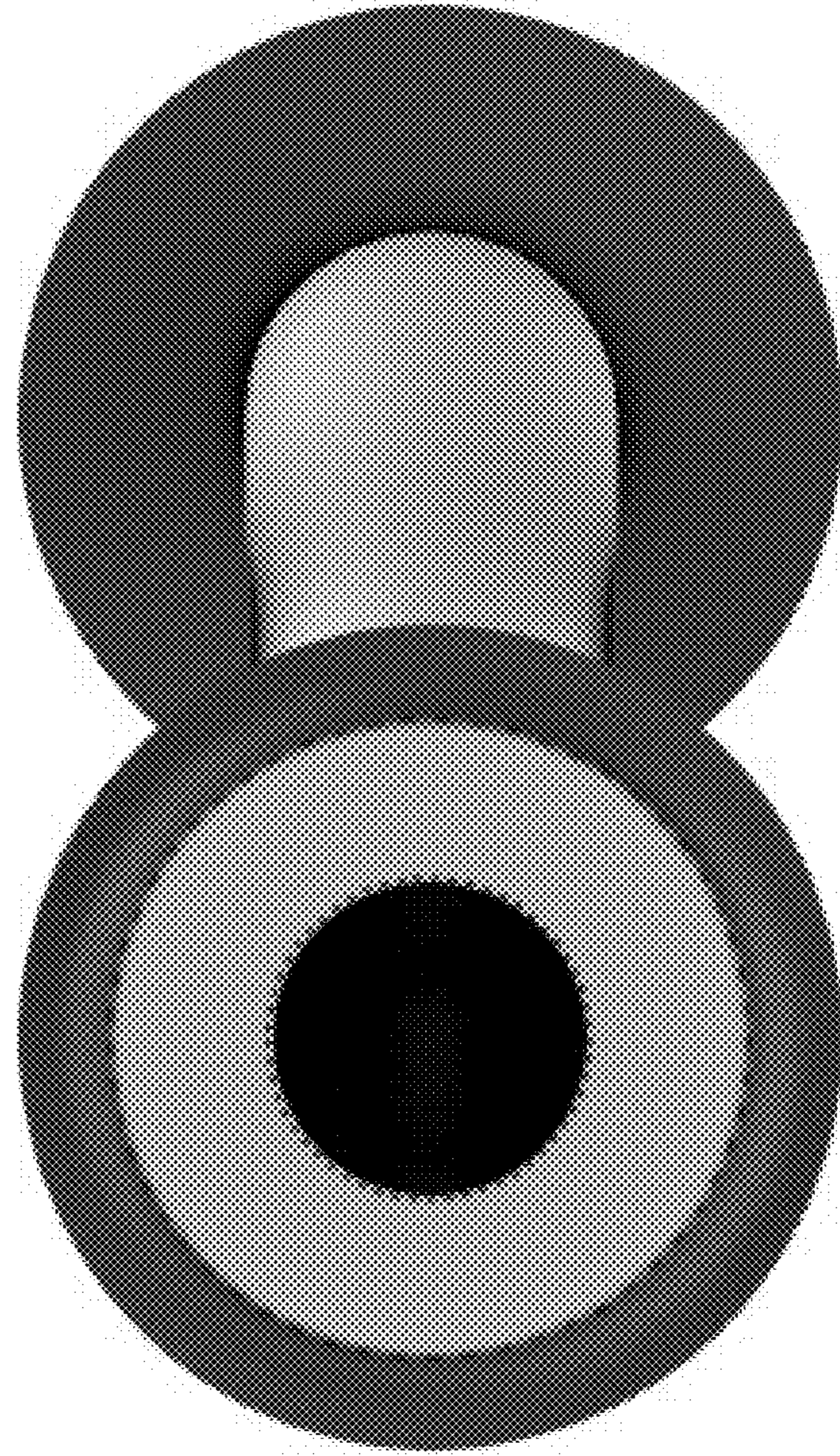


Fig. 5



Fig. 6



Fig. 7