



US00D850738S

(12) **United States Design Patent**
Fan

(10) **Patent No.:** **US D850,738 S**
(45) **Date of Patent:** **** Jun. 4, 2019**

(54) **PIPE DREDGE**

FOREIGN PATENT DOCUMENTS

(71) Applicant: **SHANGHAI KUNJEK HANDTOOLS AND HARDWARE CO., LTD.**,
Shanghai (CN)

CN	300919610	*	5/2009
CN	303050976	*	12/2014
CN	304199960	*	7/2017
CN	304715046	*	7/2018

(72) Inventor: **Yeyi Fan**, Shanghai (CN)

OTHER PUBLICATIONS

(73) Assignee: **SHANGHAI KUNJEK HANDTOOLS AND HARDWARE CO., LTD.**,
Shanghai (CN)

Drain Auger posted by Husky posted review date Oct. 5, 2017, © Homedepot, [online], [site visited Nov. 7, 2018]. Available from Internet, <https://www.homedepot.com/p/Husky-1-4-in-x-15-ft-Drain-Auger-82-970-111/301879196> (Year: 2017).*

(**) Term: **15 Years**

* cited by examiner

(21) Appl. No.: **29/615,588**

(22) Filed: **Aug. 30, 2017**

Primary Examiner — Cynthia Ramirez
Assistant Examiner — Laura H Yu

(30) **Foreign Application Priority Data**

(74) *Attorney, Agent, or Firm* — Muncy, Geissler, Olds & Lowe, P.C.

Mar. 3, 2017 (CN) 2017 3 0059729

(51) **LOC (11) Cl.** **15-05**

(52) **U.S. Cl.**
USPC **D32/14**

(58) **Field of Classification Search**
USPC D32/1, 14, 25, 34, 35; D23/223, 224;
D6/524; D28/7; 4/255.05, 255.01,
4/255.12, 255.09, 255.11; 15/406,
15/104.05, 104.31, 104.32, 104.33;
D8/51, 70
CPC .. E03D 9/00; E03C 1/30; E03C 1/308; A47K
11/10; E03F 9/005; B08B 9/045
See application file for complete search history.

(57) **CLAIM**

The ornamental design for a pipe dredge, as shown and described.

DESCRIPTION

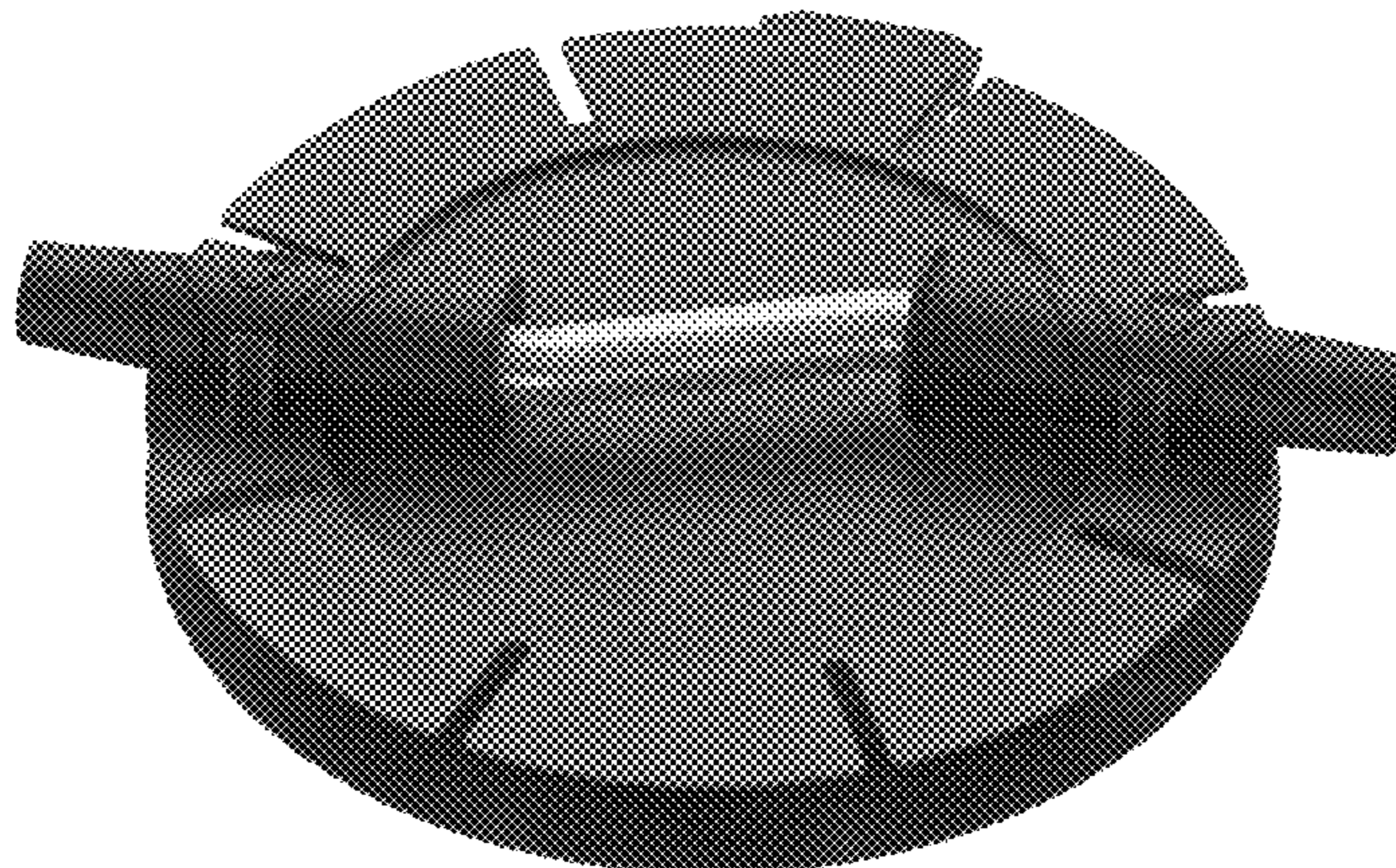
FIG. 1 is a perspective view of a pipe dredge showing my new design;
FIG. 2 is a front elevational view thereof;
FIG. 3 is a rear elevational view thereof;
FIG. 4 is a left side view thereof;
FIG. 5 is a right side view thereof;
FIG. 6 is a top plan view thereof; and,
FIG. 7 is a bottom plan view thereof.
The broken lines surrounding the light gray in FIG. 3 is included for the purpose of illustrating portions of the pipe dredge that form no form of the claimed design.

(56) **References Cited**

U.S. PATENT DOCUMENTS

D243,745 S *	3/1977	Youngblood	D8/359
D408,720 S *	4/1999	Sheng	D8/359
D755,726 S *	5/2016	Michas	D13/153
D792,756 S *	7/2017	Vanttila	D8/356
D815,244 S *	4/2018	Humphreys, Jr.	D22/140

1 Claim, 6 Drawing Sheets



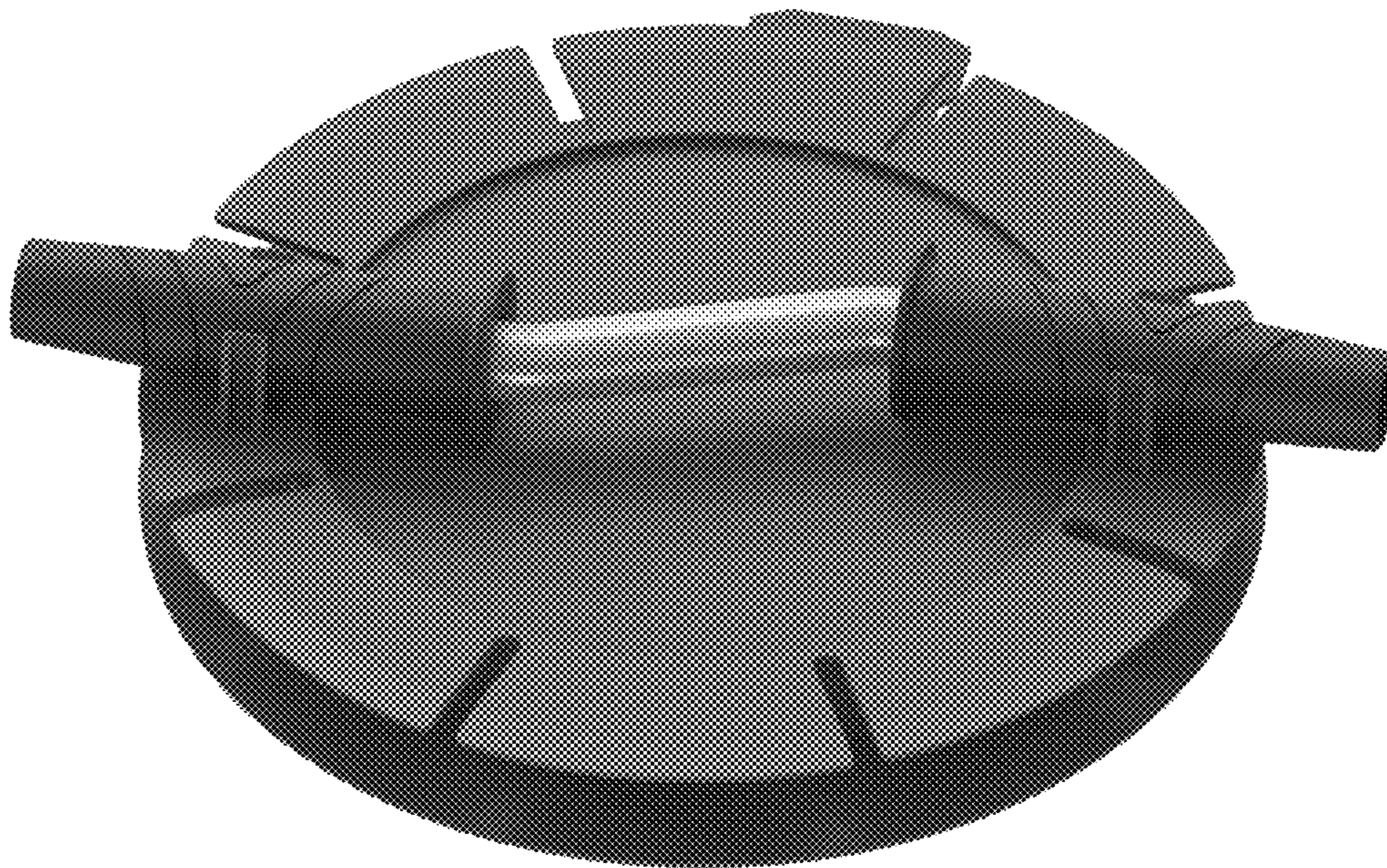


Fig. 1

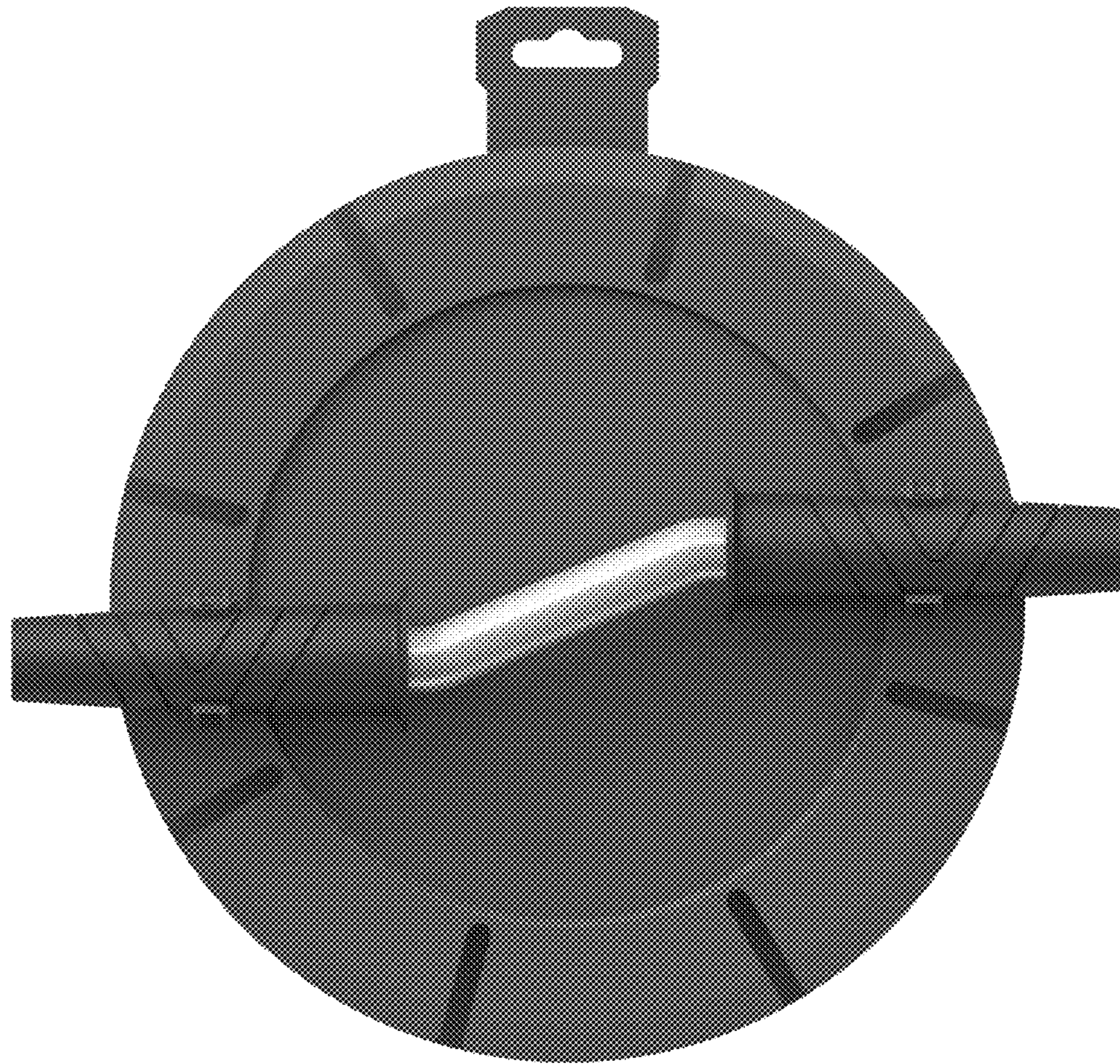


Fig. 2



Fig. 3

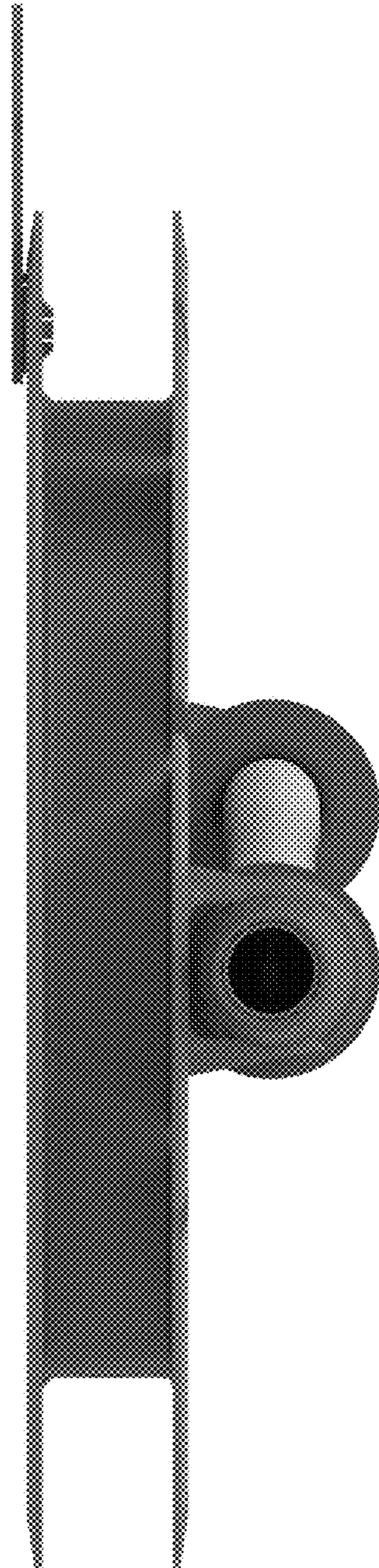


Fig. 4

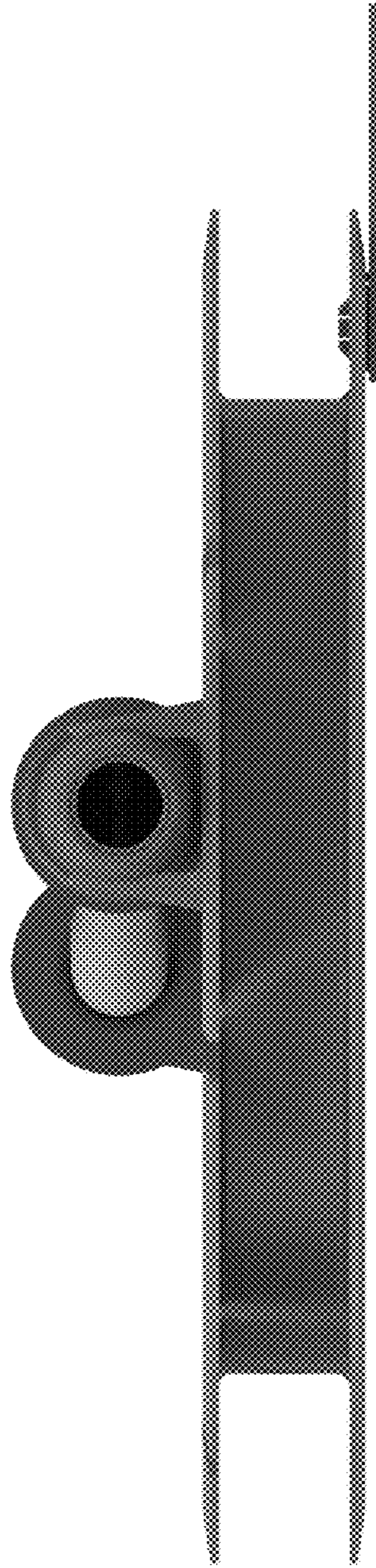


Fig. 5



Fig. 6

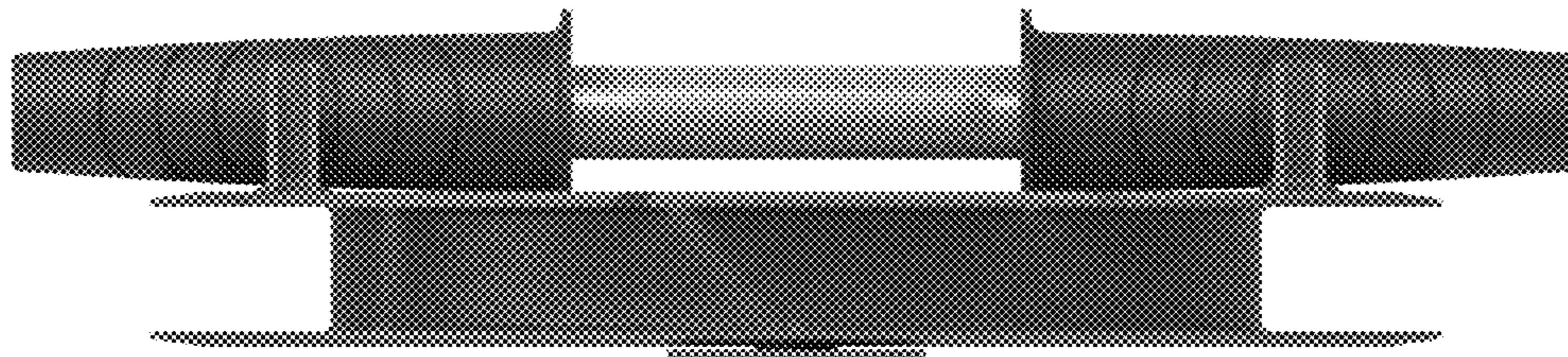


Fig. 7