



US00D850736S

(12) **United States Design Patent** (10) **Patent No.:** **US D850,736 S**  
**Williams** (45) **Date of Patent:** **\*\* Jun. 4, 2019**

- (54) **DRYER FOR BOOTS, GLOVES, FACE  
PIECES AND HELMETS**
- (71) Applicant: **Williams Boot & Glove Dryers Inc.,  
Surrey (CA)**
- (72) Inventor: **Gary Williams, Surrey (CA)**
- (73) Assignee: **WILLIAMS BOOT & GLOVE  
DRYERS, INC., Surrey BC (CA)**
- (\*\*) Term: **15 Years**
- (21) Appl. No.: **29/565,095**
- (22) Filed: **May 18, 2016**
- (51) **LOC (11) Cl.** ..... **15-05**
- (52) **U.S. Cl.**  
USPC ..... **D32/8**
- (58) **Field of Classification Search**  
USPC .... D2/979; D6/672, 680, 681, 681.1, 681.3;  
D32/8, 58, 59  
CPC ..... F26B 3/00; F26B 5/00; F26B 20/00  
See application file for complete search history.

(56) **References Cited**

U.S. PATENT DOCUMENTS

- 1,380,683 A \* 6/1921 Sanders ..... A47F 7/08  
211/181.1
- 2,295,886 A \* 9/1942 Beck ..... A47F 7/08  
12/53.7
- D136,003 S \* 7/1943 Aaronson et al. .... D32/58
- 2,845,182 A \* 7/1958 Atkinson ..... A47F 7/08  
211/182
- 3,069,020 A \* 12/1962 Sans ..... A47B 61/04  
211/162
- 3,798,788 A \* 3/1974 Kuntz ..... A47L 23/205  
34/104
- D253,274 S \* 10/1979 Boyd ..... D23/399
- D293,021 S \* 12/1987 McCartney ..... D23/314

- D303,445 S \* 9/1989 Ferguson ..... D34/21
- D310,742 S \* 9/1990 Johnson ..... D32/58
- D322,344 S \* 12/1991 Winkler ..... D32/58
- 5,222,308 A \* 6/1993 Barker ..... A47L 23/205  
34/104
- D349,788 S \* 8/1994 Laferriere ..... D32/1
- D355,734 S \* 2/1995 Goble ..... 15/161
- 5,412,928 A \* 5/1995 Reithel ..... A47L 23/205  
34/104
- 5,469,635 A \* 11/1995 Lamontagne ..... F26B 21/006  
34/104
- D367,382 S \* 2/1996 Tseng ..... D32/59
- D373,867 S \* 9/1996 Rask ..... D32/58
- D407,908 S \* 4/1999 Dickinson ..... D6/320
- D412,231 S \* 7/1999 Williams ..... D32/58
- 5,946,814 A \* 9/1999 Farrant ..... A47L 23/205  
34/103
- 6,098,815 A \* 8/2000 Nesser ..... A47B 61/04  
211/118

(Continued)

*Primary Examiner* — John Windmuller

*Assistant Examiner* — Steven J Czyz

(74) *Attorney, Agent, or Firm* — Fay Sharpe LLP

(57) **CLAIM**

I claim the ornamental design for a dryer for boots, gloves, face pieces and helmets, as shown and described.

**DESCRIPTION**

FIG. 1 is a perspective view of a dryer for boots, gloves, face pieces and helmets;

FIG. 2 is a front elevation view of the dryer of FIG. 1;

FIG. 3 is a right side elevation view of the dryer of FIG. 1;

FIG. 4 is a left side elevation view of the dryer of FIG. 1;

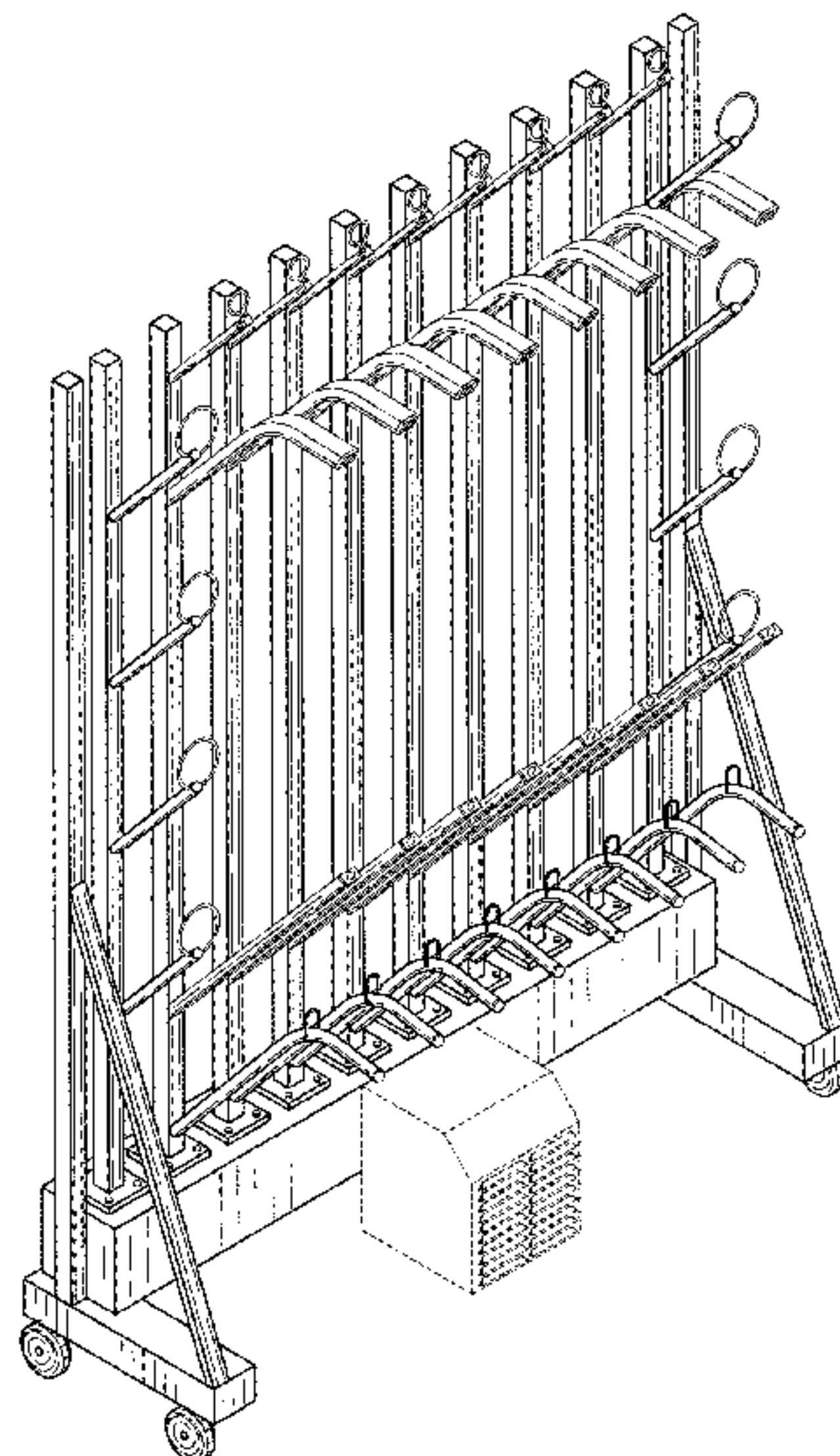
FIG. 5 is a top view of the dryer of FIG. 1;

FIG. 6 is a bottom view of the dryer of FIG. 1; and,

FIG. 7 is a rear elevation view of the dryer of FIG. 1.

The broken lines depict portions of the article that form no part of the claimed design.

**1 Claim, 5 Drawing Sheets**







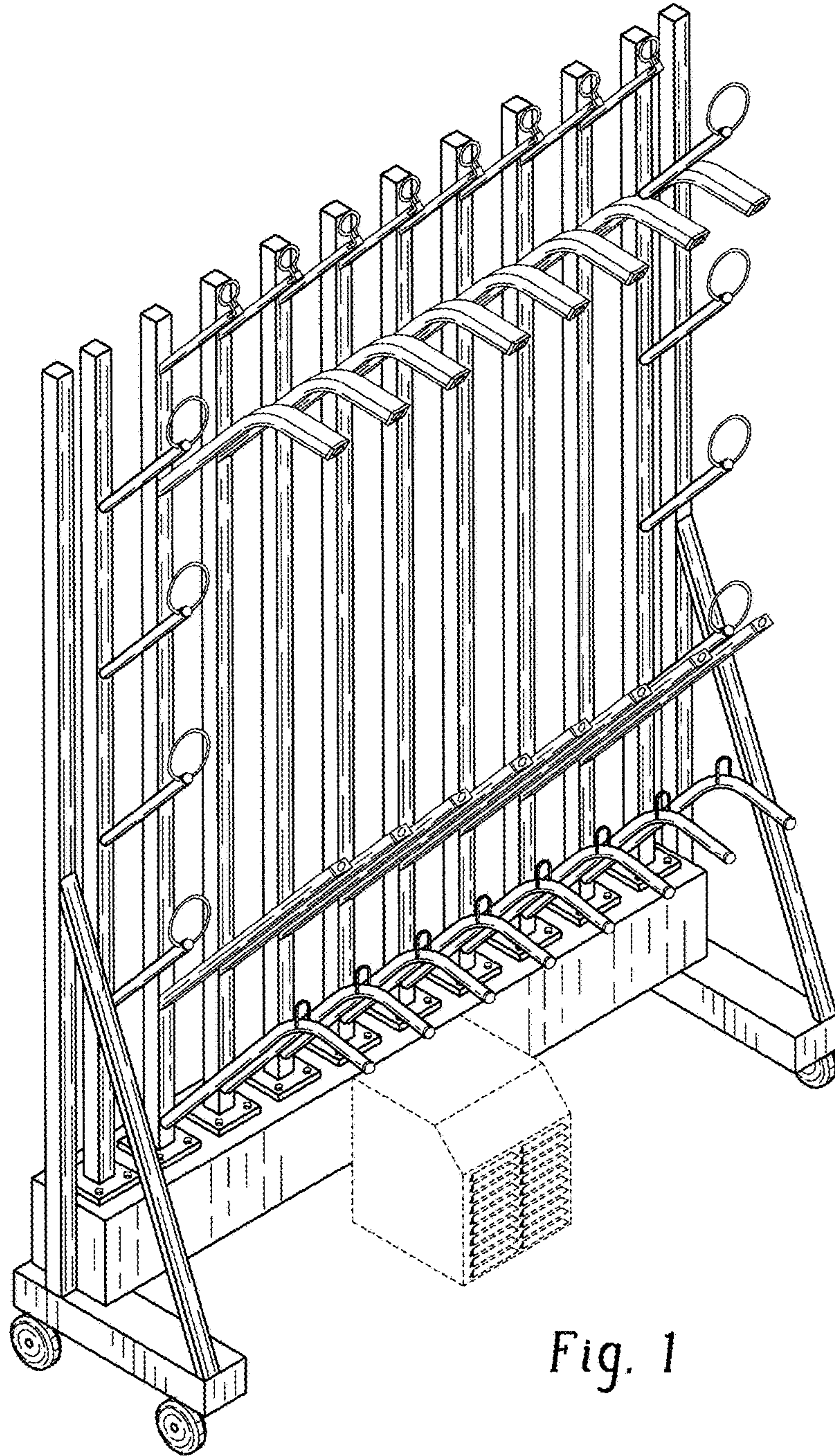


Fig. 1

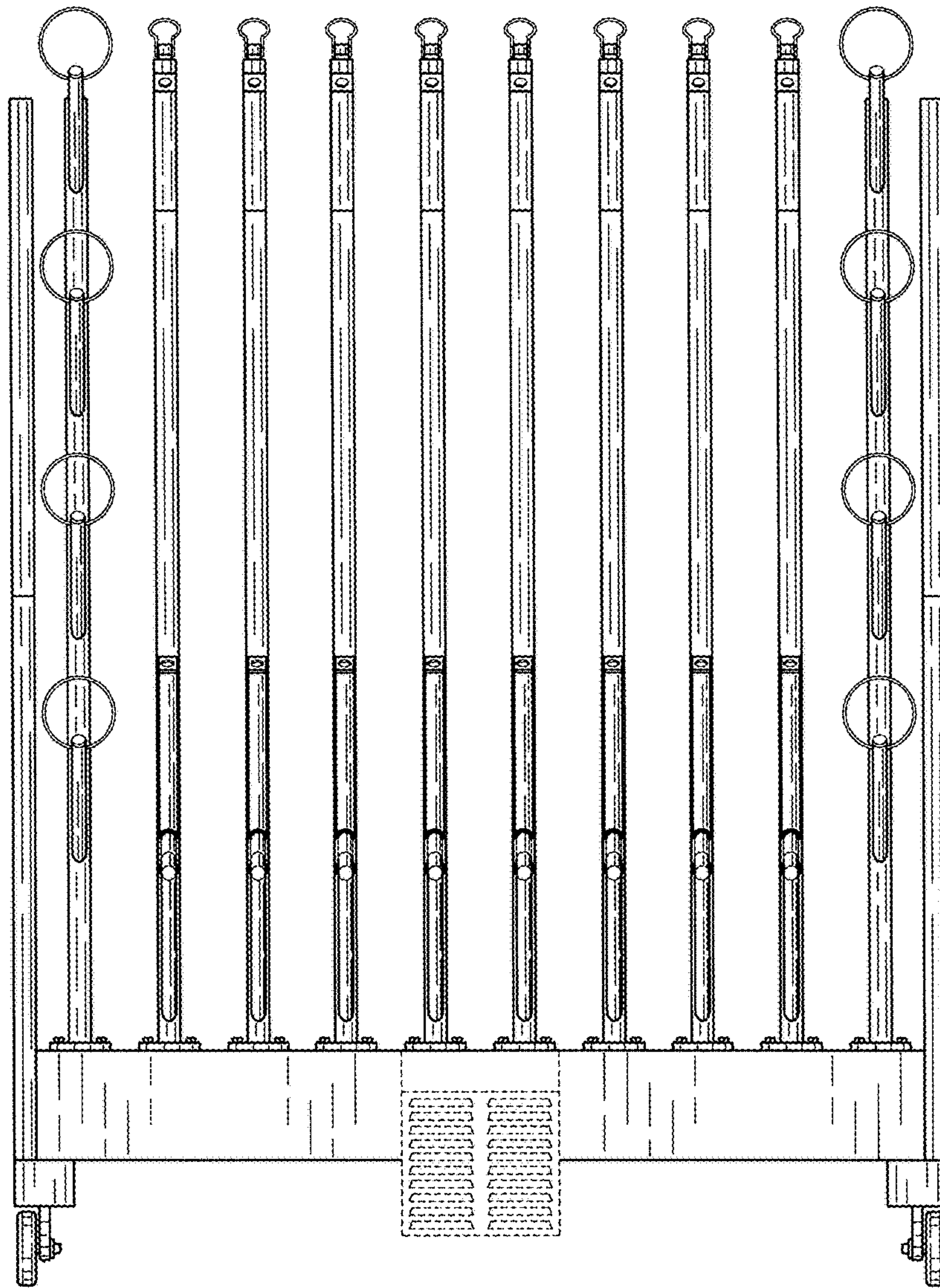


Fig. 2



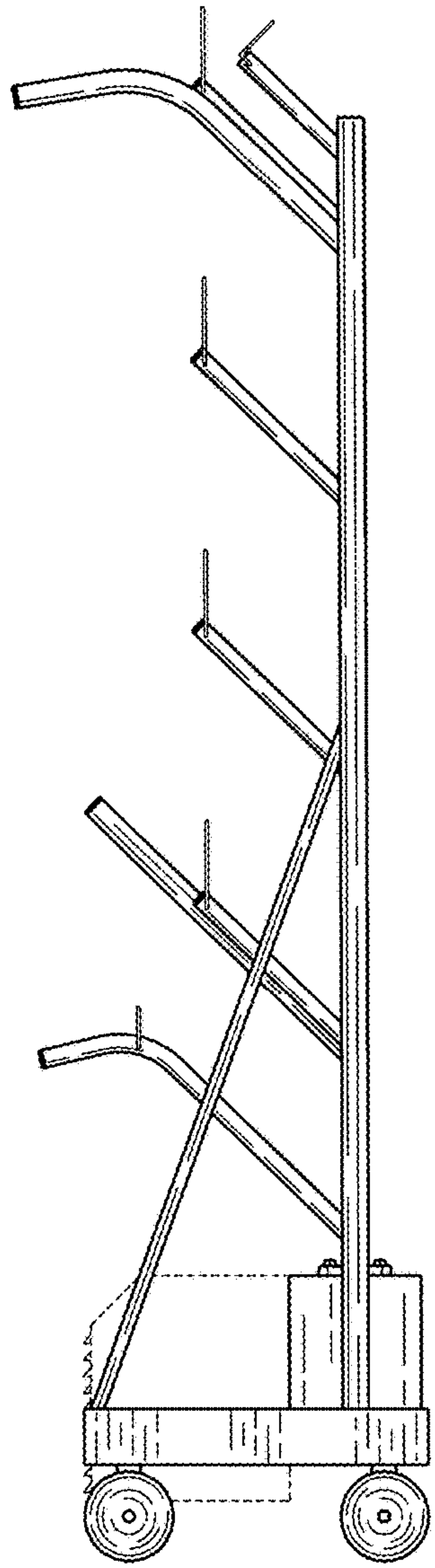


Fig. 3

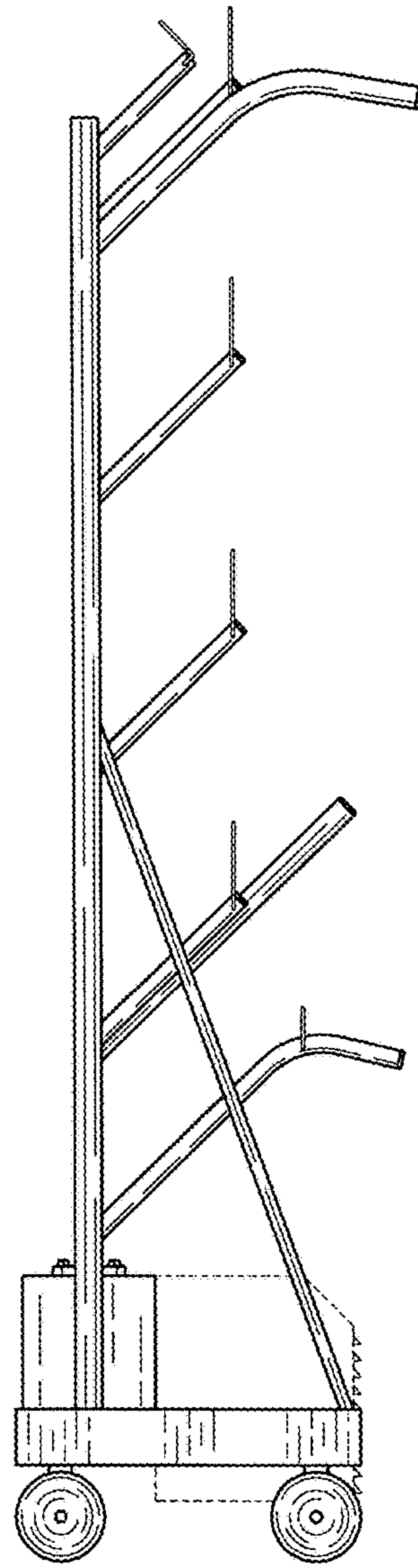


Fig. 4

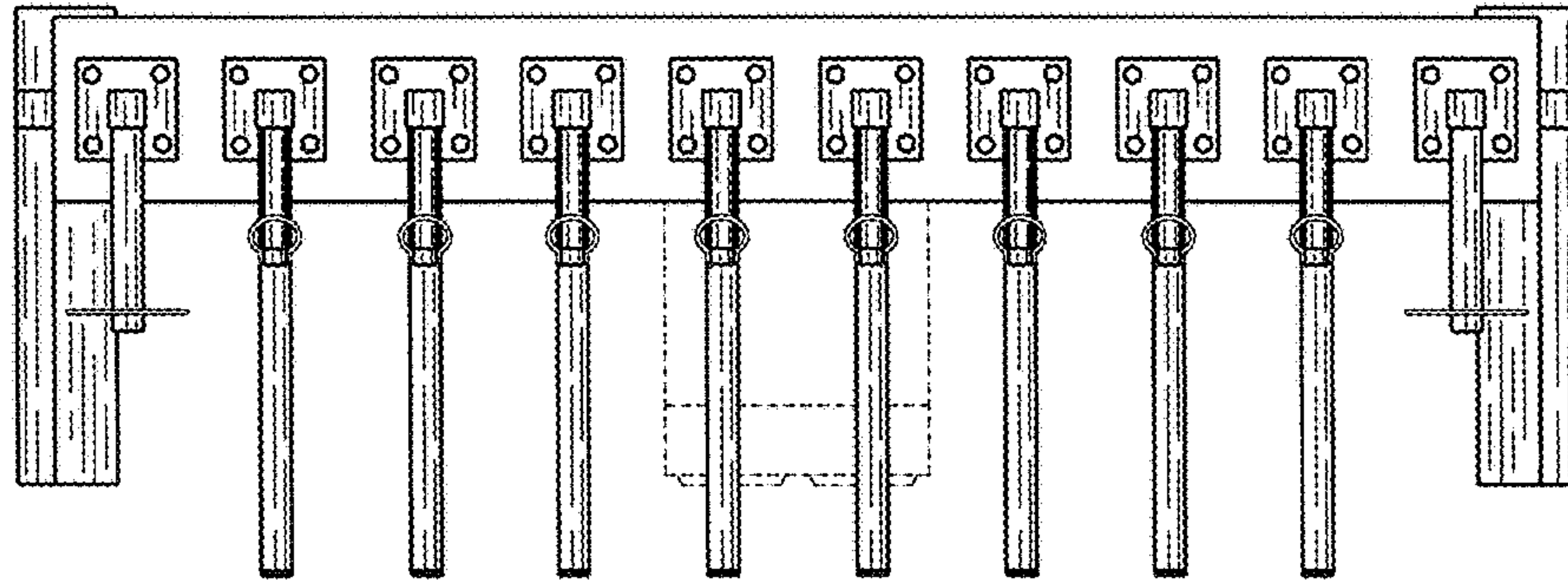


Fig. 5

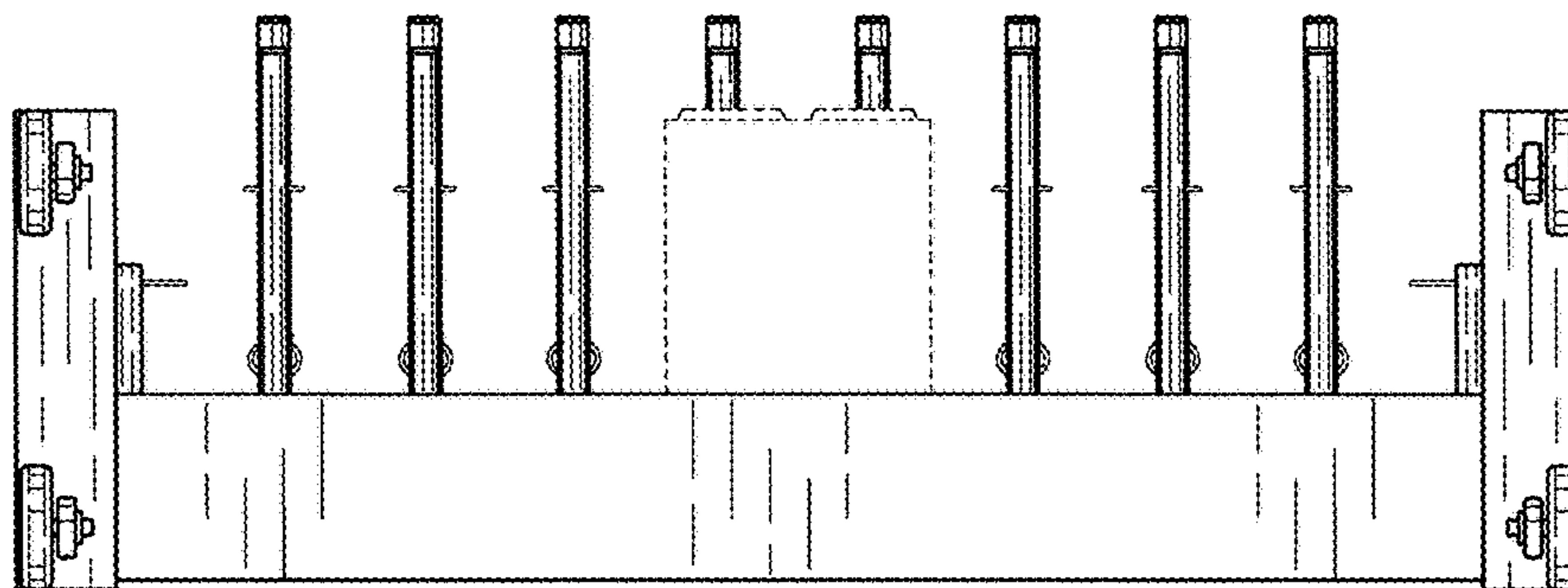


Fig. 6

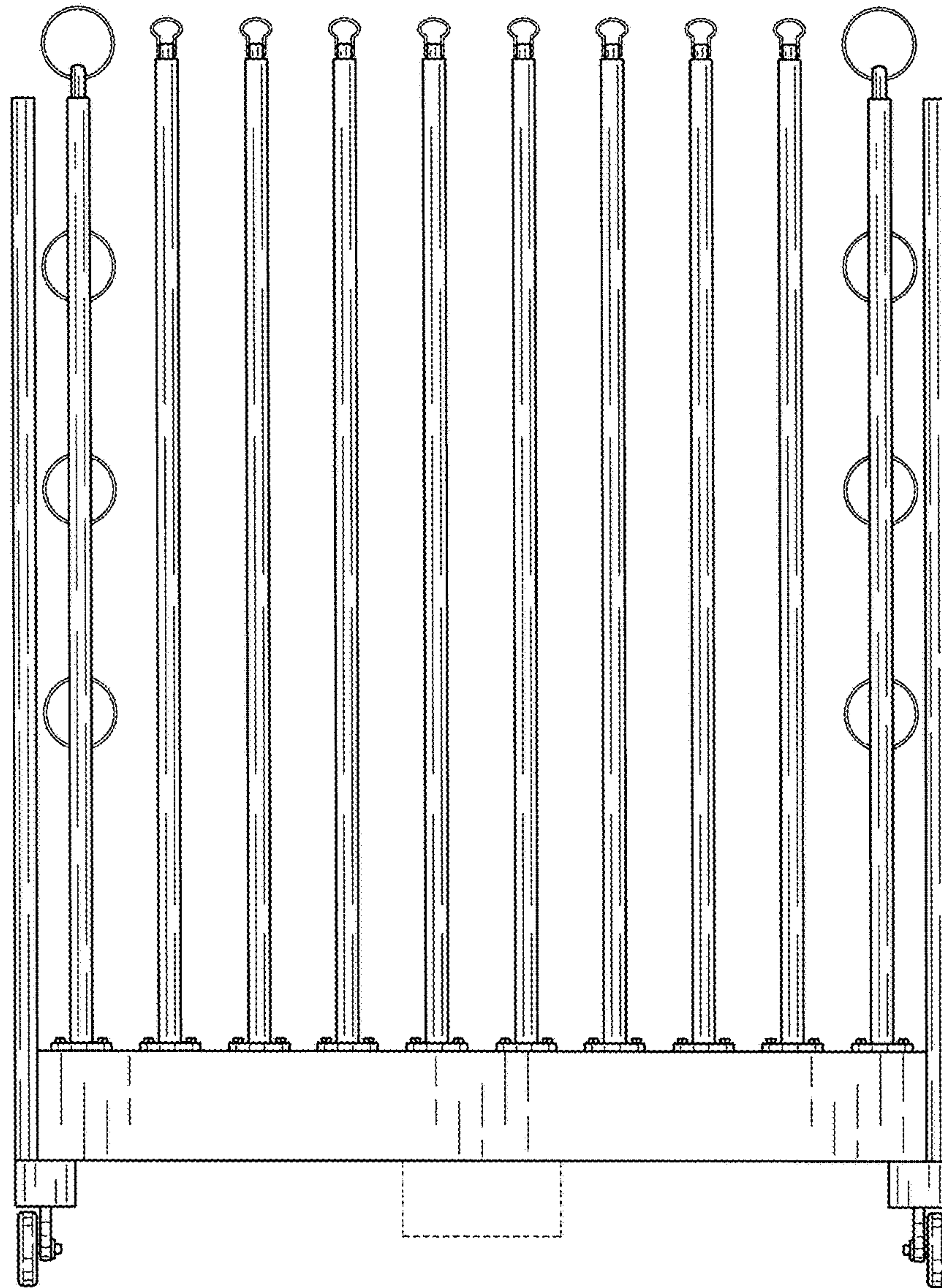


Fig. 7