



US00D850733S

(12) **United States Design Patent** (10) **Patent No.:** **US D850,733 S**
Dong (45) **Date of Patent:** **** Jun. 4, 2019**

(54) **STOP BARKING DEVICE**

(71) Applicant: **Fuliang Dong**, Shenzhen (CN)

(72) Inventor: **Fuliang Dong**, Shenzhen (CN)

(**) Term: **15 Years**

(21) Appl. No.: **29/636,756**

(22) Filed: **Feb. 11, 2018**

(51) **LOC (11) Cl.** **30-04**

(52) **U.S. Cl.**
USPC **D30/152**; D30/199

(58) **Field of Classification Search**
USPC D30/151–155, 144, 199, 160;

119/792–798, 850, 855–859, 863–865,
 119/654, 905, 907, 815, 712, 802, 784,
 119/769, 760, 776, 862, 908, 860,
 119/719–721; 242/381.1–381.2, 385.4,
 242/378.3, 376.1, 385.1, 916, 601, 570,
 242/405, 404, 371, 223, 170, 388.1,
 242/405.2, 377, 381.3, 381.6, 405.3,
 242/388.6, 384.7, 382, 396.1, 404.1, 380;
 362/108; 33/767, 769, 414; D12/400;
 D3/229, 230, 207, 208, 215; 40/1.5, 455,
 40/640, 303; 206/63.3, 459.5, 702, 408;
 D6/515; D8/358, 360, 347, 360.1, 359,
 D8/356, DIG. 1; D24/145; D10/57, 104,
 D10/72, 106, 104.1, 104.2, 32, 38;
 D20/28; 224/666, 678; 16/445; 283/74,
 283/70; D11/232, 200, 216, 1, 2, 3, 4,
 D11/86, 87, 201, 206–210, 212–215, 218;
 24/163 K, 122.3, 323, 702, 600.4–600.7,
 24/163 R, 169–171, 173, 177–179, 191,
 24/194, 195, 197, 200, 303, 616, 635,
 24/313, 615, 3, 6, 3 K, 599.2, 96, 221,
 24/237, 311, 312, 314, 321, 338, 339,
 24/309; 428/3, 4; 54/76, 1, 71; 63/29.1,
 63/3; 191/12.2 R, 12.4; D13/154, 153,
 D13/137.4, 155, 103; D19/69, 67;
 379/438; 446/26; 473/576; D22/140;
 174/135; 439/504, 13, 501; D34/33;

(Continued)

(56) **References Cited**

U.S. PATENT DOCUMENTS

3,983,483 A * 9/1976 Pando H01Q 1/273
 455/90.2
 4,612,719 A * 9/1986 de Jong A01K 11/006
 119/859
 5,434,759 A * 7/1995 Endo G09F 13/22
 362/103
 5,617,814 A * 4/1997 Bianco A01K 15/023
 119/720

(Continued)

Primary Examiner — Susan Moon Lee

(74) *Attorney, Agent, or Firm* — W&K IP

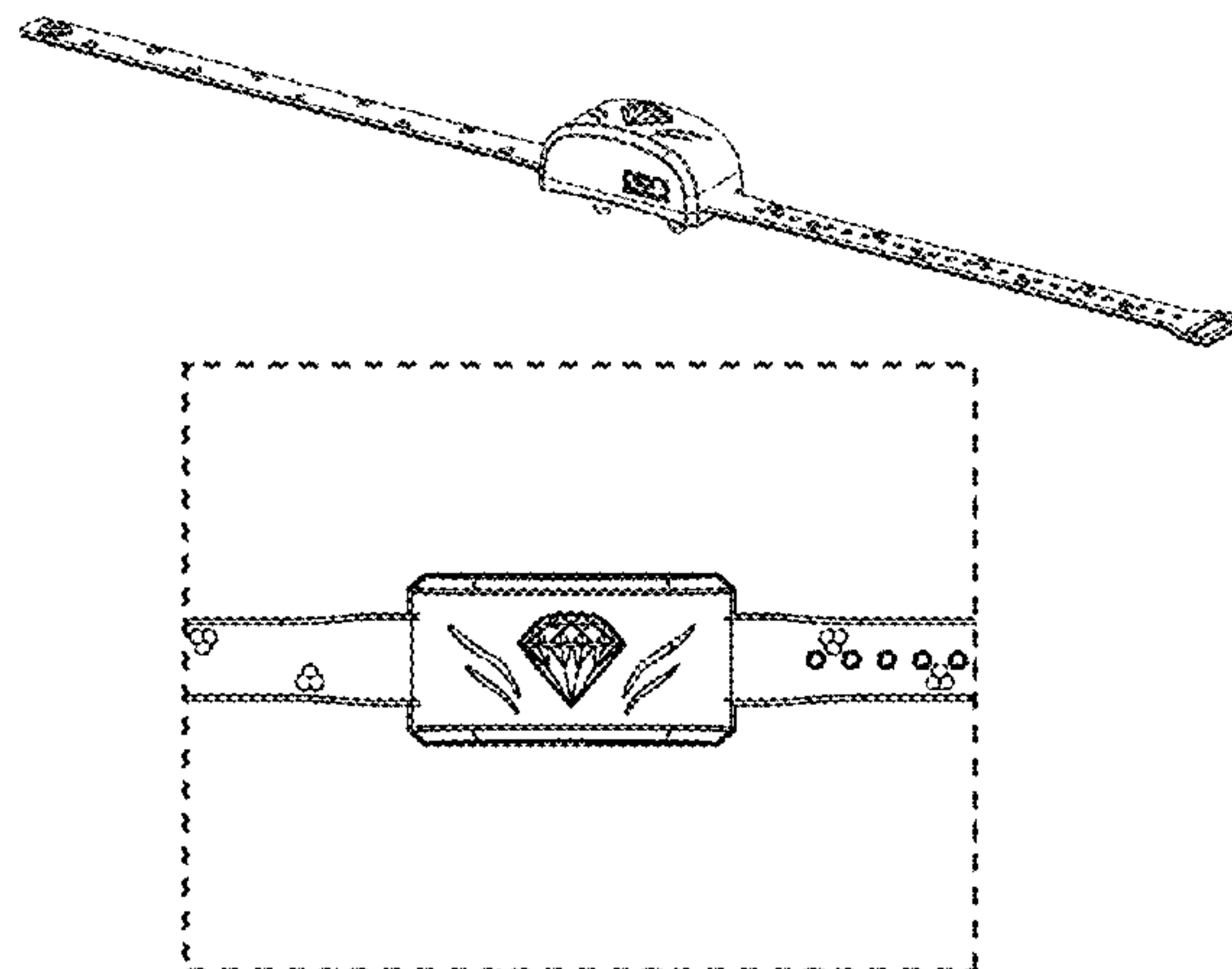
(57) **CLAIM**

The ornamental design for a stop barking device, as shown and described.

DESCRIPTION

FIG. 1 is a front view of a stop barking device;
 FIG. 2 is a back view thereof;
 FIG. 3 is a top plan view thereof;
 FIG. 4 is a bottom plan view thereof;
 FIG. 5 is a left side view thereof;
 FIG. 6 is a right side view thereof;
 FIG. 7 is a perspective view thereof;
 FIG. 8 is an enlarged partial front view of the device taken from the showing in FIG. 1;
 FIG. 9 is an enlarged partial rear view of the device taken from the showing in FIG. 2;
 FIG. 10 is an enlarged partial top view of the device taken from the showing in FIG. 3;
 FIG. 11 is an enlarged partial bottom view of the device taken from the showing in FIG. 4;
 FIG. 12 is an enlarged partial left side view of the device taken from the showing in FIG. 5; and,
 FIG. 13 is an enlarged partial right side view of the device taken from the showing in FIG. 6.

1 Claim, 13 Drawing Sheets



(58) **Field of Classification Search**

USPC 188/83, 82.1, 65.1; 254/134.3 FT;
 D29/124; D2/627, 624, 633, 625;
 132/145, 146, 148; 2/314; 59/79.1;
 340/573.3, 573.1, 573; 343/895;
 278/8 AES; 231/7; 361/232; D14/344
 CPC A01K 15/021; A01K 15/02; A01K 15/022;
 A01K 15/023; A01K 15/029; A01K
 15/04; A01K 15/00; A01K 15/006; A01K
 27/009; A01K 27/001; A01K
 27/005-27/008; A01K 29/005; A01K
 29/00; A01K 27/00; A01K 11/006; A01K
 11/008

See application file for complete search history.

(56) **References Cited**

U.S. PATENT DOCUMENTS

D379,252 S * 5/1997 McIntosh D30/152
 5,815,077 A * 9/1998 Christiansen A01K 15/021
 119/712
 D400,458 S * 11/1998 Titus D10/104.1
 D410,206 S * 5/1999 Slater D10/104.1
 6,079,367 A * 6/2000 Stapelfeld A01K 15/021
 119/719
 D445,352 S * 7/2001 So D30/199
 6,474,269 B2 * 11/2002 So A01K 15/021
 119/719
 6,830,012 B1 * 12/2004 Swan A01K 27/009
 119/720
 6,907,844 B1 * 6/2005 Crist A01K 15/022
 119/718
 D520,894 S * 5/2006 Zakharyan D30/199
 D522,187 S * 5/2006 Nottingham D30/152
 D571,684 S * 6/2008 Kim D11/2
 7,382,328 B2 * 6/2008 Lee, IV A01K 27/009
 343/718
 7,559,291 B2 * 7/2009 Reinhart A01K 15/021
 119/720
 7,574,979 B2 * 8/2009 Nottingham A01K 27/005
 119/859
 D636,686 S * 4/2011 Cobbett D10/38
 D637,365 S * 5/2011 Li D30/155
 D657,098 S * 4/2012 So D30/152
 D661,846 S * 6/2012 Miller D30/152
 D665,952 S * 8/2012 Guo D30/152
 D666,367 S * 8/2012 Miller D30/152
 8,296,983 B2 * 10/2012 Padgett A44C 5/0015
 40/633
 D673,334 S * 12/2012 Guo D30/152
 D706,159 S * 6/2014 Ma D11/3
 8,757,098 B2 * 6/2014 So A01K 15/021
 119/719
 D708,797 S * 7/2014 MacDonald D30/199
 D709,047 S * 7/2014 Jennings D14/167
 D713,103 S * 9/2014 Sproviero D30/199
 D715,675 S * 10/2014 Ma D11/3
 8,881,686 B2 * 11/2014 So A01K 15/021
 119/712
 D720,074 S * 12/2014 Suvilaakso D24/167
 D720,249 S * 12/2014 Park D11/3
 D725,841 S * 3/2015 So D30/152
 D735,587 S * 8/2015 Squires D10/32
 D761,499 S * 7/2016 Pulliam D30/199
 9,449,487 B1 * 9/2016 Spitalny A01K 15/023
 D772,745 S * 11/2016 Henne D10/70
 D794,261 S * 8/2017 Pulliam D30/152
 D798,003 S * 9/2017 Dong D30/199
 D819,280 S * 5/2018 Li D30/199
 D822,516 S * 7/2018 Van Curen D10/104.1
 D822,921 S * 7/2018 Wen D30/199
 D822,922 S * 7/2018 Wen D30/199
 D829,120 S * 9/2018 Mitchell D10/104.1

D834,769 S * 11/2018 Wen D30/199
 2002/0050250 A1 * 5/2002 Peterson A01K 15/023
 119/721
 2003/0122678 A1 * 7/2003 Duncan A01K 15/021
 340/573.3
 2004/0162875 A1 * 8/2004 Brown G08B 5/223
 709/203
 2005/0145196 A1 * 7/2005 Crist A01K 15/022
 119/718
 2005/0145197 A1 * 7/2005 Crist A01K 15/022
 119/718
 2005/0145198 A1 * 7/2005 Crist A01K 15/022
 119/718
 2005/0145199 A1 * 7/2005 Napolez A01K 15/022
 119/718
 2005/0145200 A1 * 7/2005 Napolez A01K 15/022
 119/718
 2005/0211187 A1 * 9/2005 Harman A01K 15/023
 119/721
 2005/0277855 A1 * 12/2005 Tanaka A01K 15/022
 601/46
 2006/0169222 A1 * 8/2006 Gerig A01K 15/021
 119/859
 2006/0207520 A1 * 9/2006 Moore A01K 15/021
 119/720
 2007/0209604 A1 * 9/2007 Groh A01K 15/021
 119/858
 2007/0221138 A1 * 9/2007 Mainini A01K 15/021
 119/720
 2007/0227465 A1 * 10/2007 Gerig A01K 15/021
 119/859
 2008/0061990 A1 * 3/2008 Milnes A01K 15/023
 340/573.1
 2009/0289844 A1 * 11/2009 Palsgrove A01K 15/021
 342/357.55
 2010/0050954 A1 * 3/2010 Lee, IV A01K 15/022
 119/718
 2011/0232585 A1 * 9/2011 Rich A01K 15/023
 119/721
 2012/0160183 A1 * 6/2012 So A01K 15/021
 119/720
 2013/0027207 A1 * 1/2013 Goetzl A01K 11/008
 340/573.3
 2013/0112153 A1 * 5/2013 So A01K 15/021
 119/720
 2013/0180467 A1 * 7/2013 Wong A01K 15/022
 119/718
 2013/0233252 A1 * 9/2013 Bellon A01K 15/021
 119/720
 2014/0116356 A1 * 5/2014 Balenzano A01K 27/006
 119/858
 2014/0123912 A1 * 5/2014 Menkes A61B 5/1105
 119/859
 2014/0196673 A1 * 7/2014 Menkes A01K 27/009
 119/859
 2014/0261233 A1 * 9/2014 So A01K 27/009
 119/720
 2014/0331942 A1 * 11/2014 Sarazyn A01K 29/005
 119/719
 2015/0033794 A1 * 2/2015 Ma A44C 15/0015
 63/1.13
 2015/0040839 A1 * 2/2015 Goetzl A01K 15/023
 119/720
 2015/0250143 A1 * 9/2015 Klossner A01K 27/009
 119/719
 2017/0196201 A1 * 7/2017 Kenney A01K 27/006
 2017/0265432 A1 * 9/2017 Anderton G01S 5/02
 2018/0125038 A1 * 5/2018 Hord A01K 27/009
 2018/0132450 A1 * 5/2018 Goetzl A01K 27/009
 2018/0153137 A1 * 6/2018 Goetzl A01K 15/022
 2018/0153138 A1 * 6/2018 Goetzl A01K 15/022
 2018/0184618 A1 * 7/2018 Gotts A01K 15/023

* cited by examiner

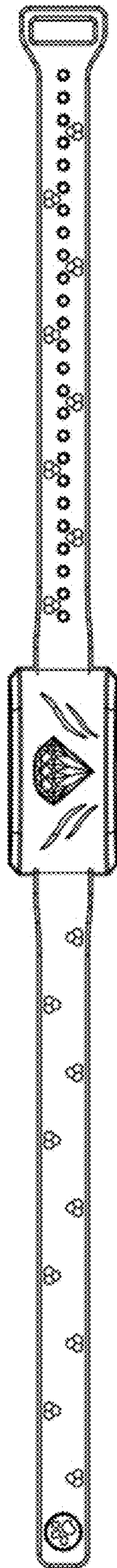


FIG. 1

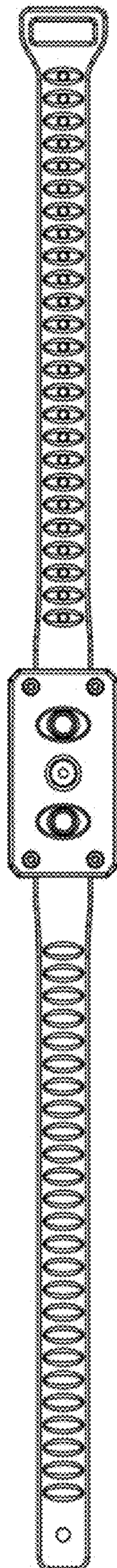


FIG. 2

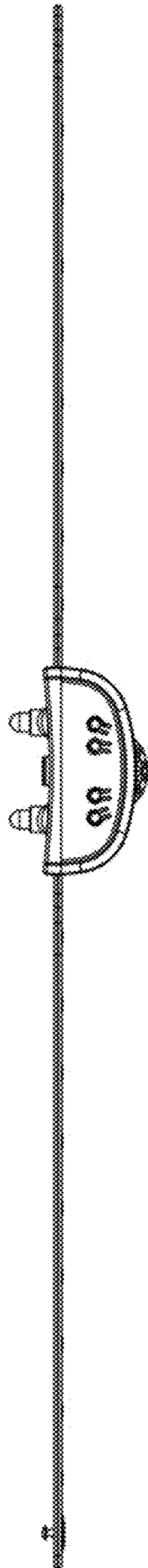


FIG. 3

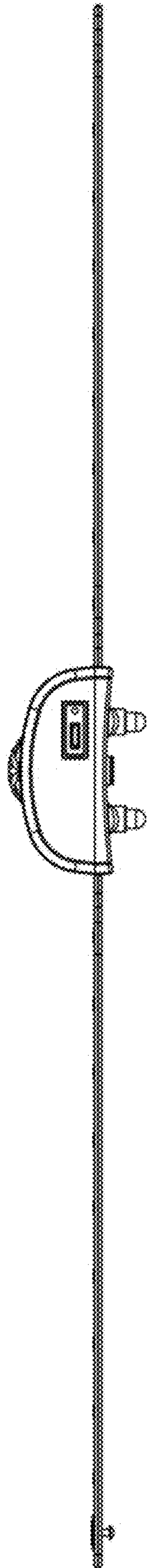


FIG. 4

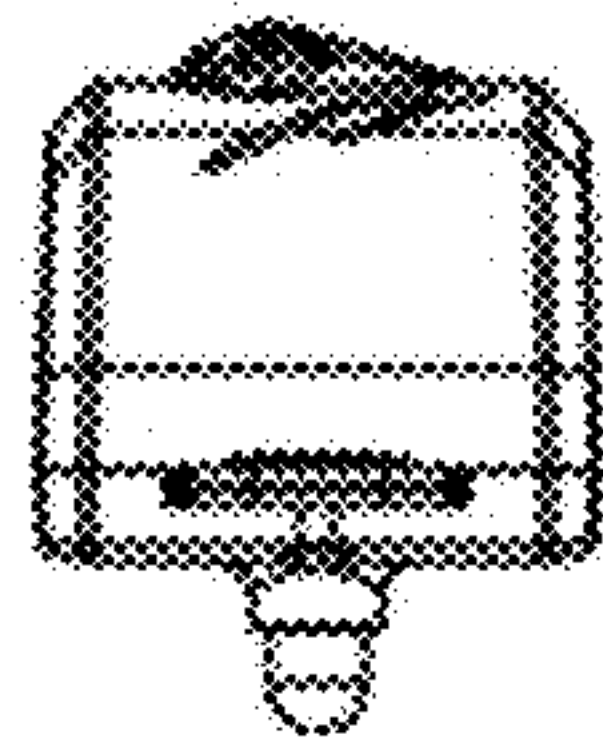


FIG. 5

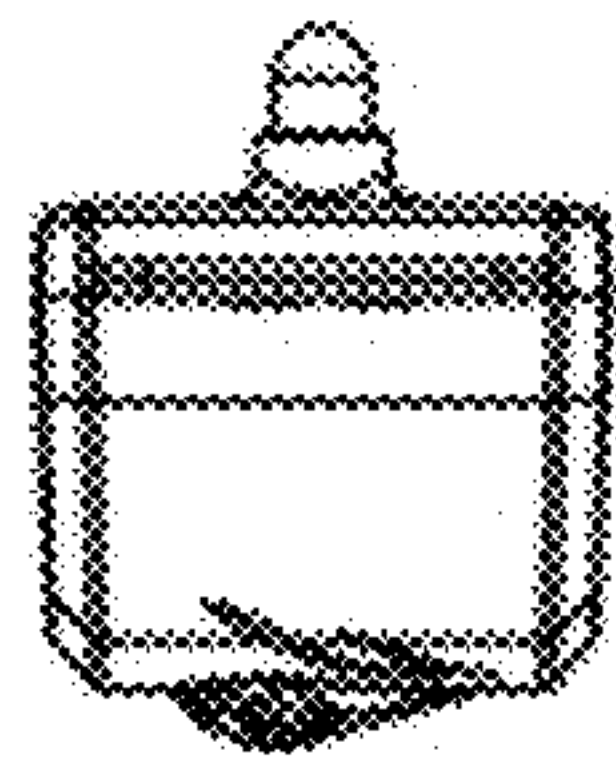


FIG. 6

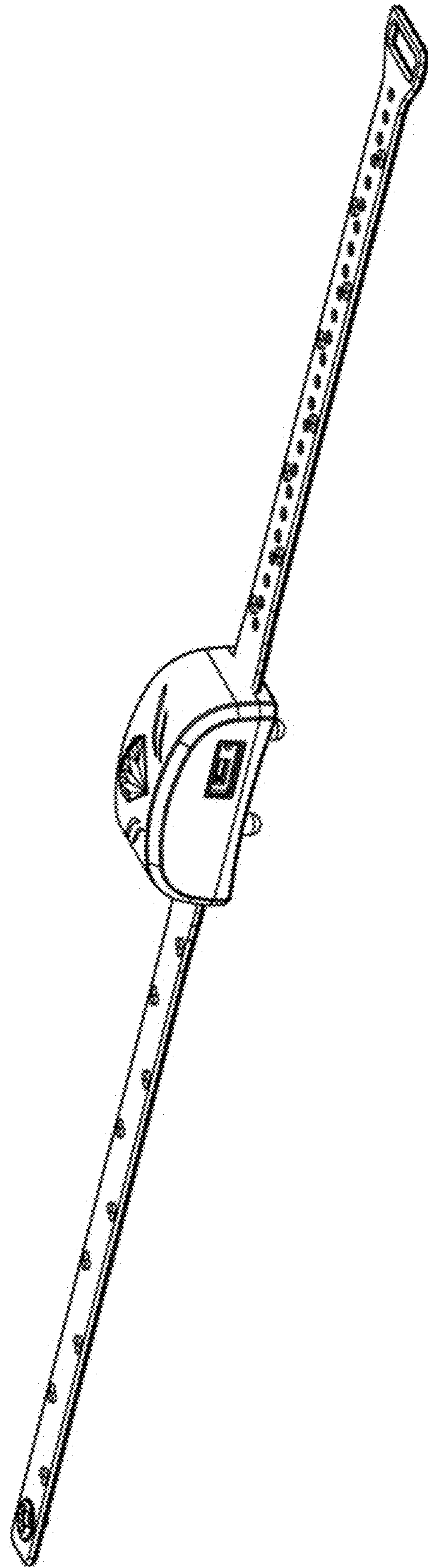


FIG. 7

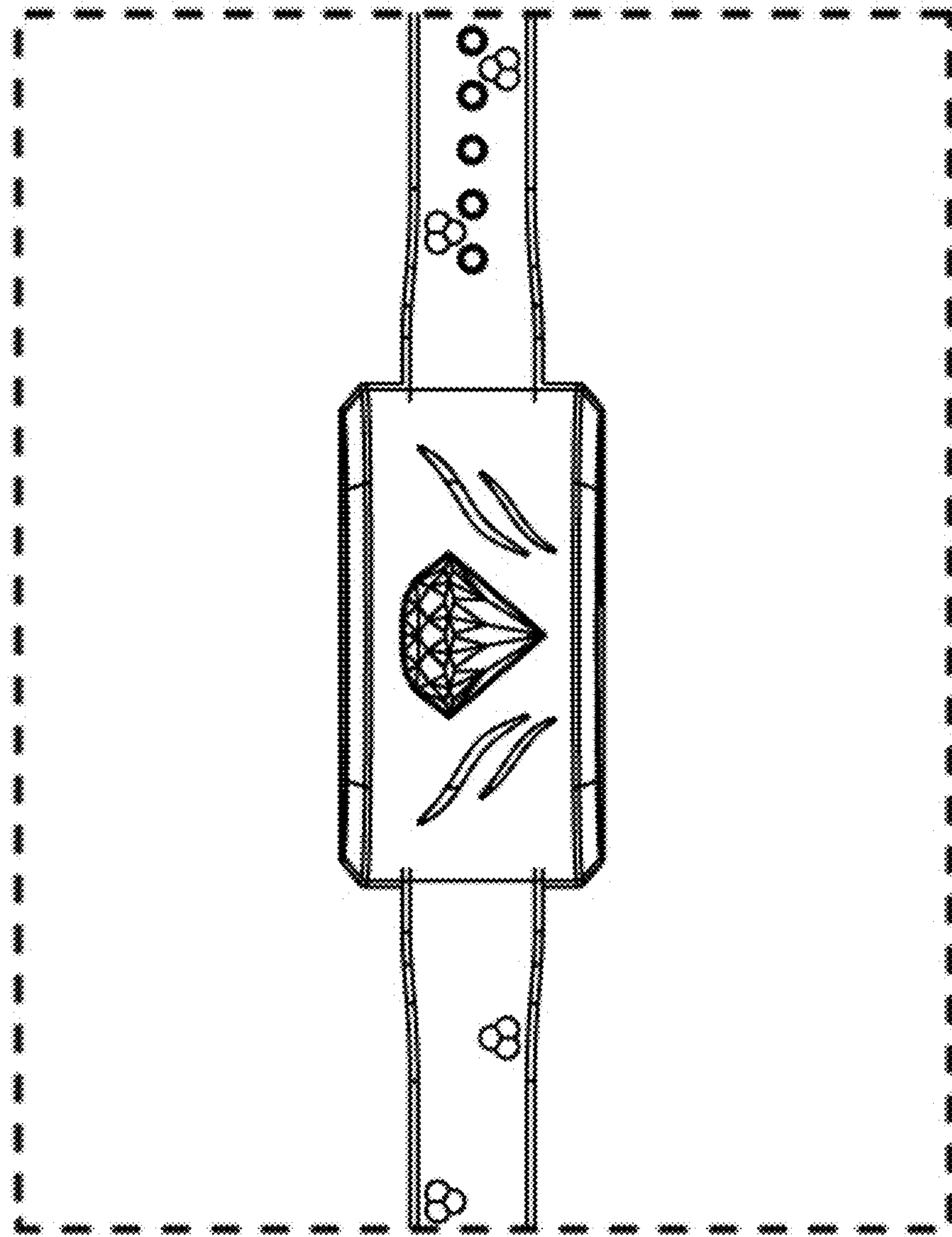


FIG. 8

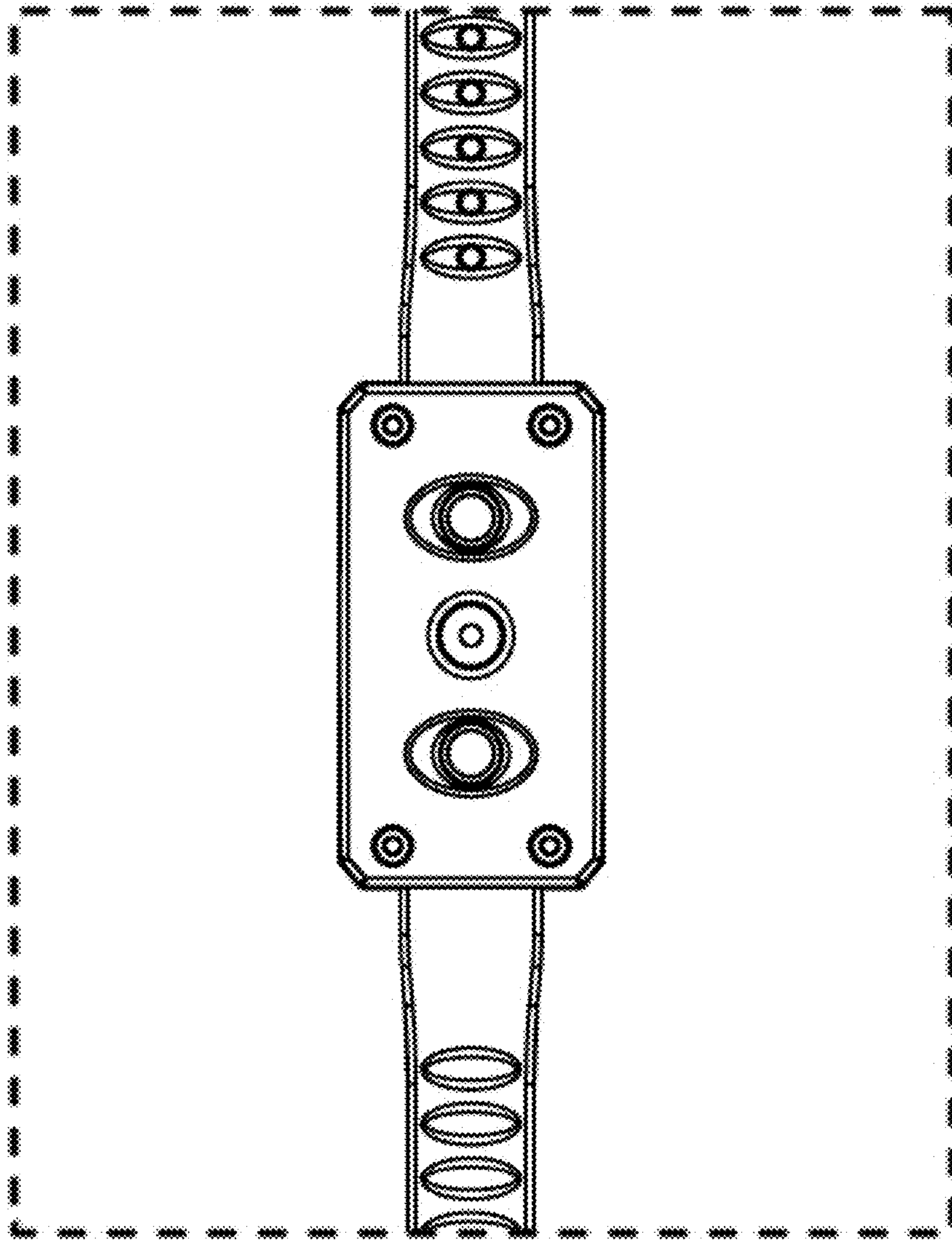


FIG. 9

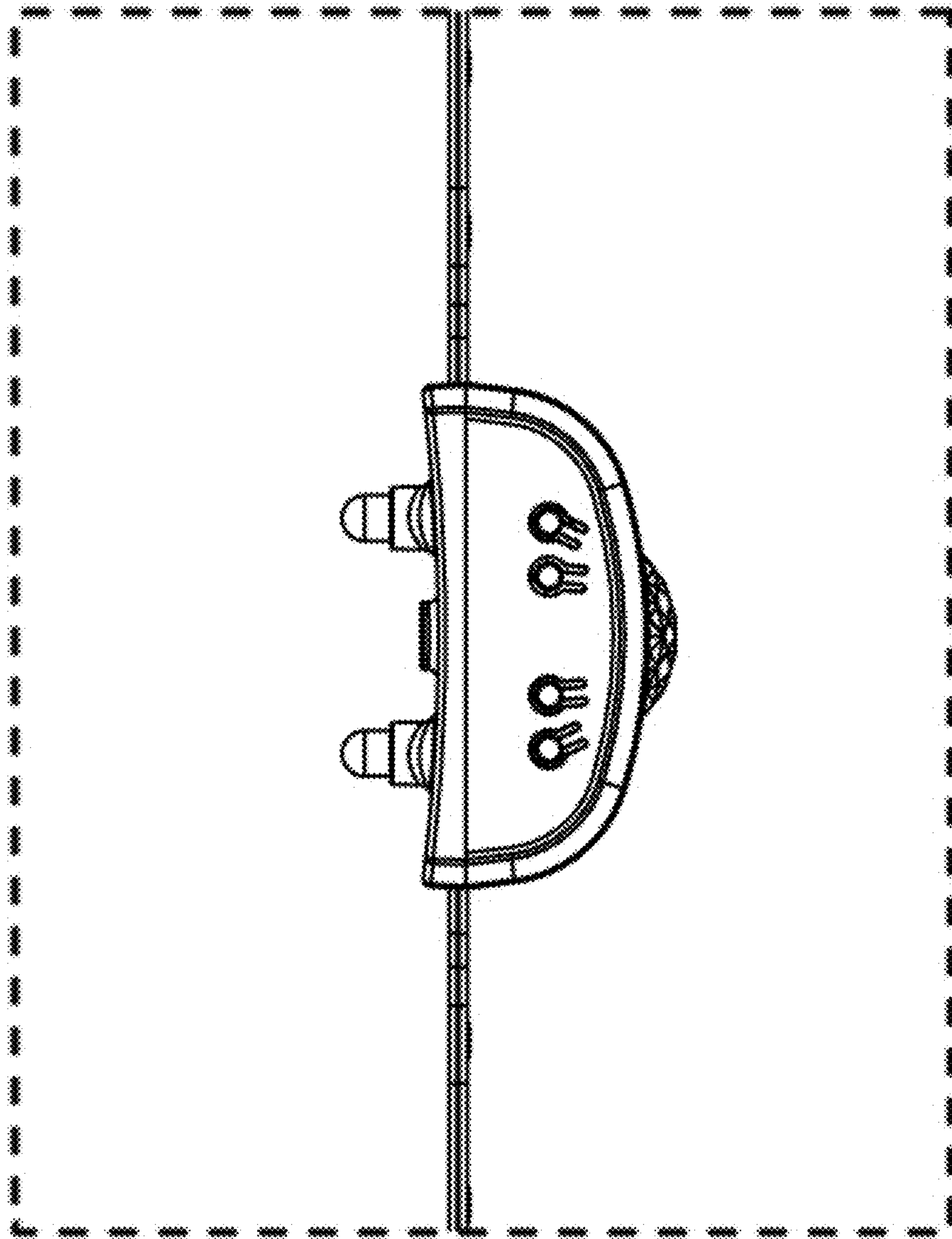


FIG. 10

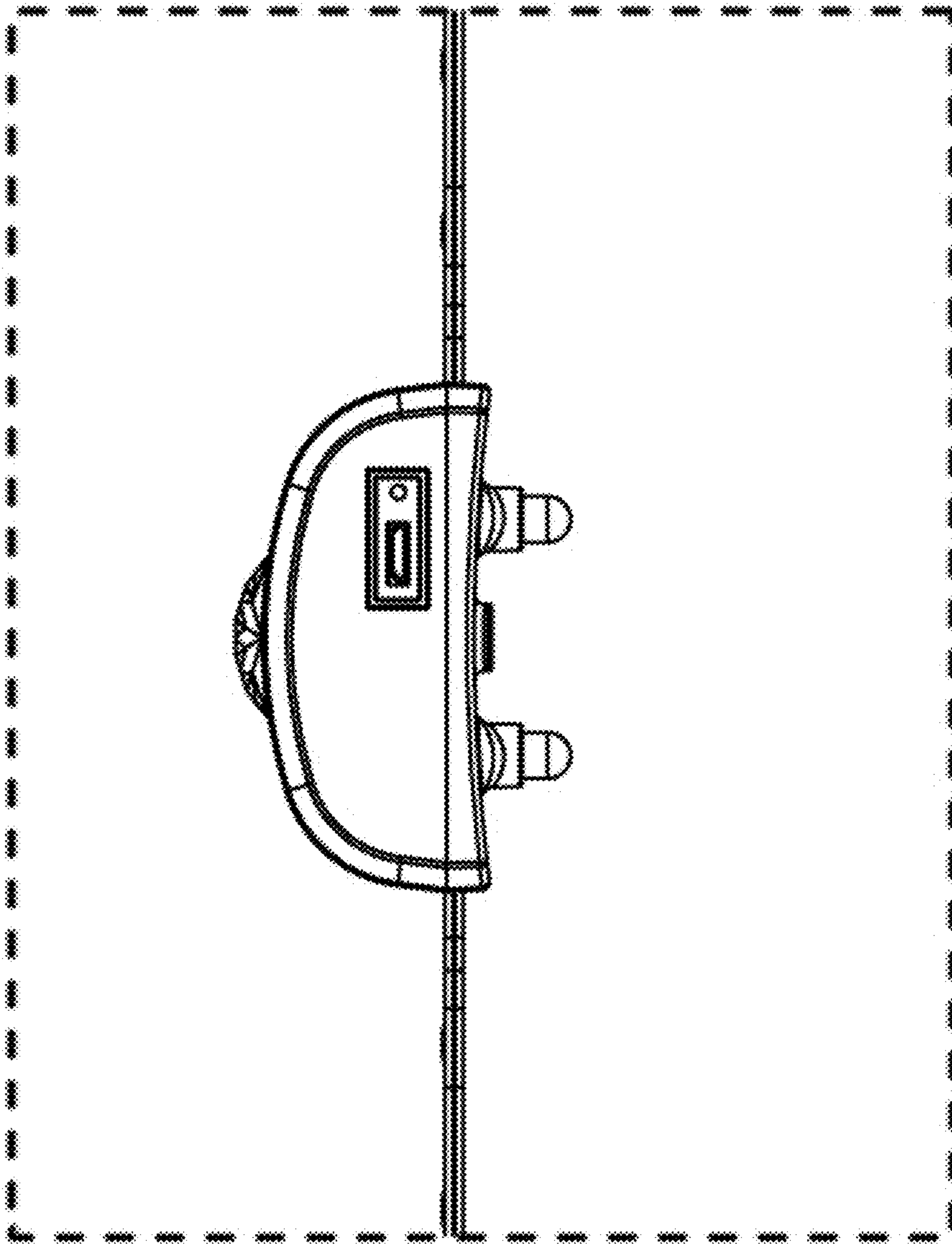


FIG. 11

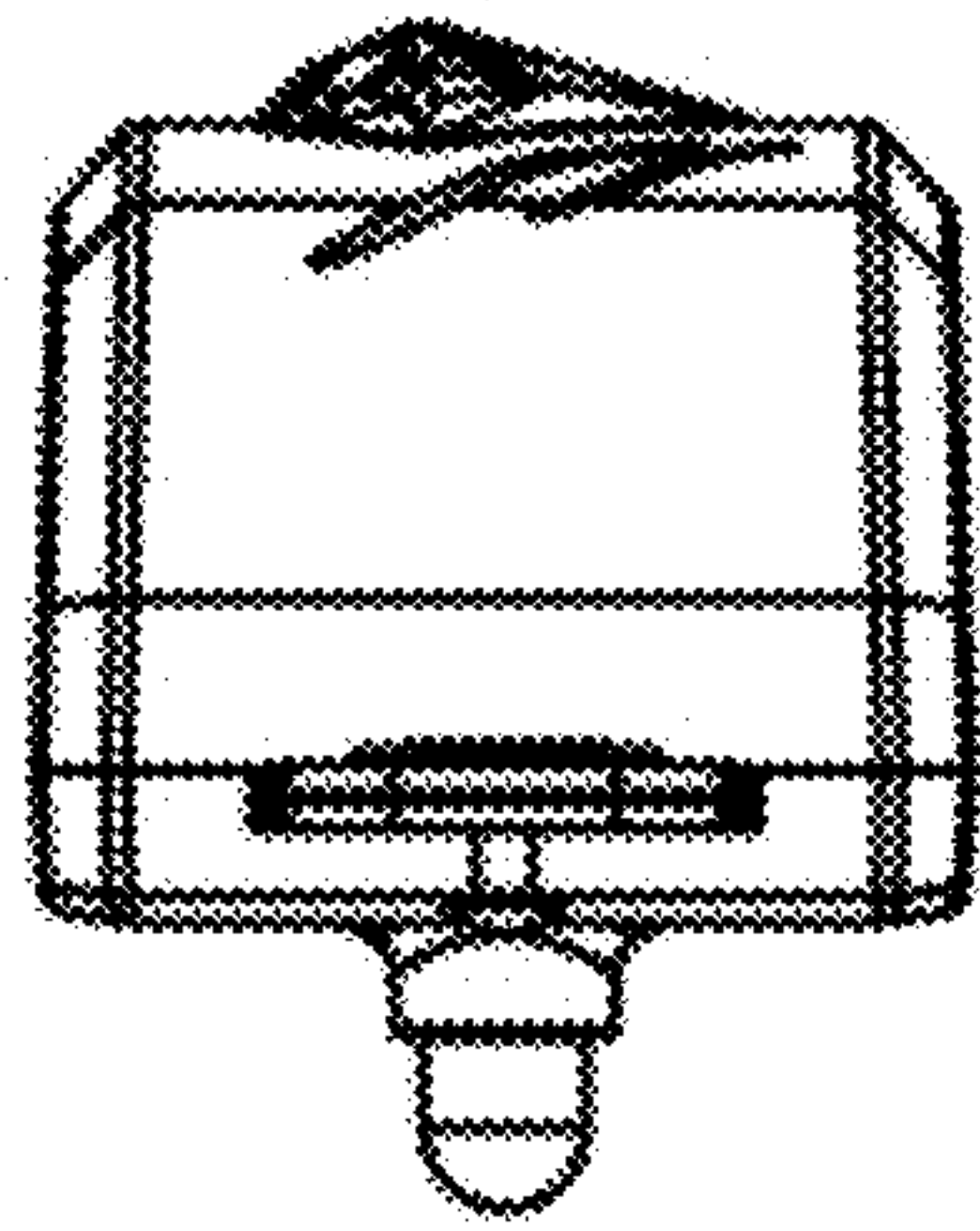


FIG. 12

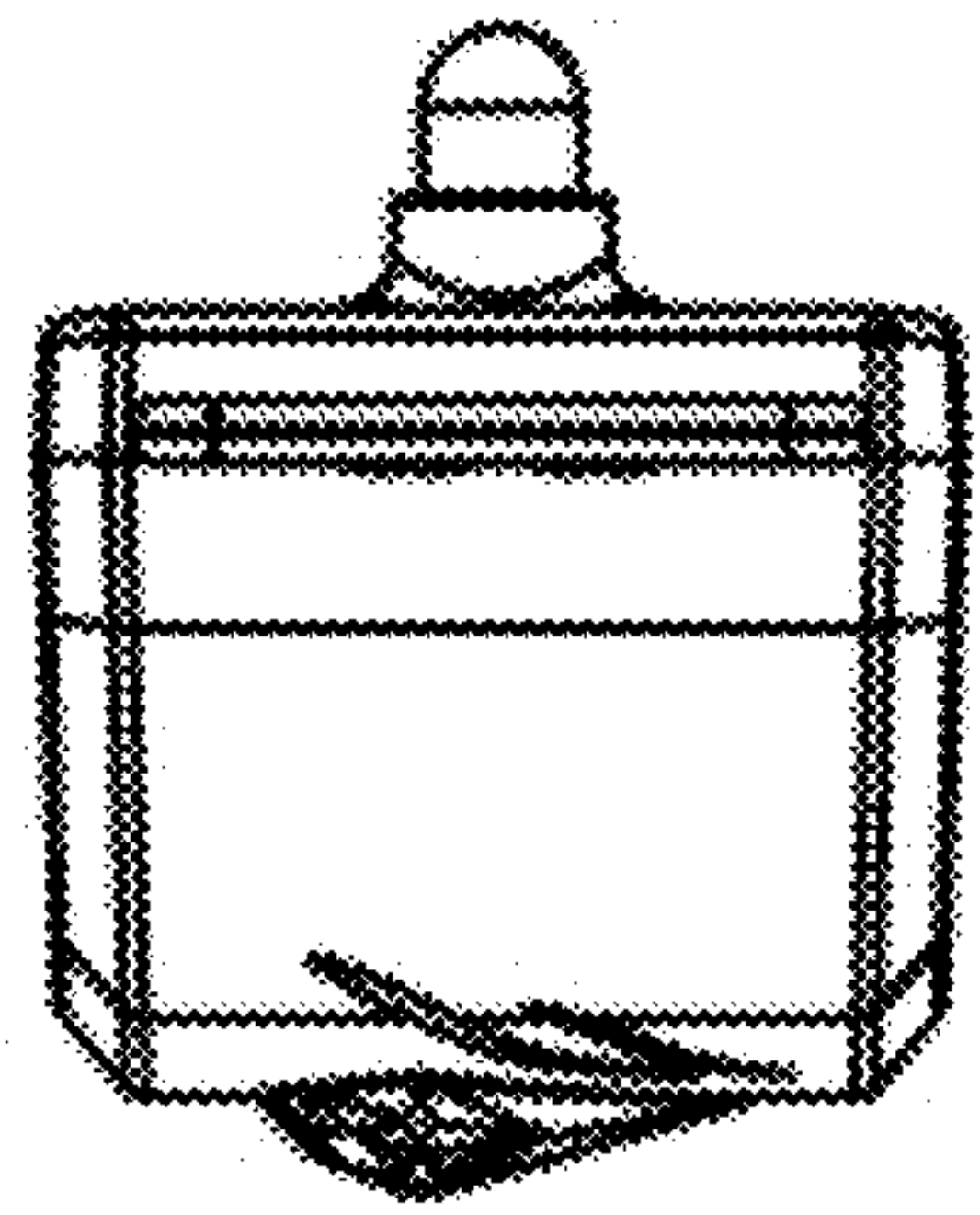


FIG. 13