



US00D850731S

(12) **United States Design Patent** (10) **Patent No.:** **US D850,731 S**
Wu (45) **Date of Patent:** **** Jun. 4, 2019**

(54) **WATERER FOR ANIMALS**

(71) Applicant: **Zijian Wu**, Shenzhen (CN)

(72) Inventor: **Zijian Wu**, Shenzhen (CN)

(**) Term: **15 Years**

(21) Appl. No.: **29/639,516**

(22) Filed: **Mar. 7, 2018**

(51) **LOC (11) Cl.** **30-03**

(52) **U.S. Cl.**
USPC **D30/132**

(58) **Field of Classification Search**

USPC D30/123, 129, 132, 121; 119/69.5, 673,
119/57.8, 68, 74, 61.57, 78-81, 61.4,
119/57.9, 51.5, 61.5, 72, 475; 47/66.6,
47/39, 67, 83; 239/280, 200, 281, 280.5,
239/273, 16-32, 211, 216, 288.5; 4/644,
4/627, 638; D7/558; D11/144, 145, 153;
D99/5, 24; 27/1; D23/201, 292, 204,
D23/205, 214-216, 221, 222, 228, 229,
D23/233, 200, 212, 213; 248/127, 132,
248/137, 138, 158, 910; 215/10;
D6/353, 352, 484, 360, 480, 488;
219/521; 329/442, 459; 99/452, 483;
40/406, 407; 261/29, 106, 73; 137/560,
137/563, 801; 55/385.2; 417/527, 313;
431/292-294, 289; 362/101; D26/6, 9;
D32/75; D8/1

CPC ... A01K 7/00; A01K 7/02; A01K 7/06; A01K
7/04; A01K 7/005; A01K 7/022; A01K
7/025; A01K 7/027; A01K 5/0216; A01K
39/02; F04B 23/00; F04B 23/02; F04B
23/021; F04B 23/026; B05B 17/08; B05B

17/085; B01D 35/30; Y10T 137/86035;
Y10T 137/8376; Y10T 137/85954-85978
See application file for complete search history.

(56) **References Cited**

U.S. PATENT DOCUMENTS

968,613	A *	8/1910	Ostrand	A01K 7/00 119/72
D153,334	S *	4/1949	Beaver	D23/215
2,568,534	A *	9/1951	Baker	A47B 3/12 108/150
2,611,645	A *	9/1952	Forman	B05B 3/00 239/211
D196,777	S *	11/1963	Evergreen	D27/133
D206,214	S *	11/1966	Erbe	D23/201
3,884,383	A *	5/1975	Burch	B65D 1/26 206/119
3,944,138	A *	3/1976	Easton	B05B 1/14 239/18
4,018,004	A *	4/1977	Soffer	A01G 27/00 261/91
4,026,067	A *	5/1977	Wengel	A01G 9/04 211/1.51
D254,453	S *	3/1980	Strong	D30/132

(Continued)

Primary Examiner — Susan Moon Lee

(74) *Attorney, Agent, or Firm* — Wayne & Ken, LLC;
Tony Hom

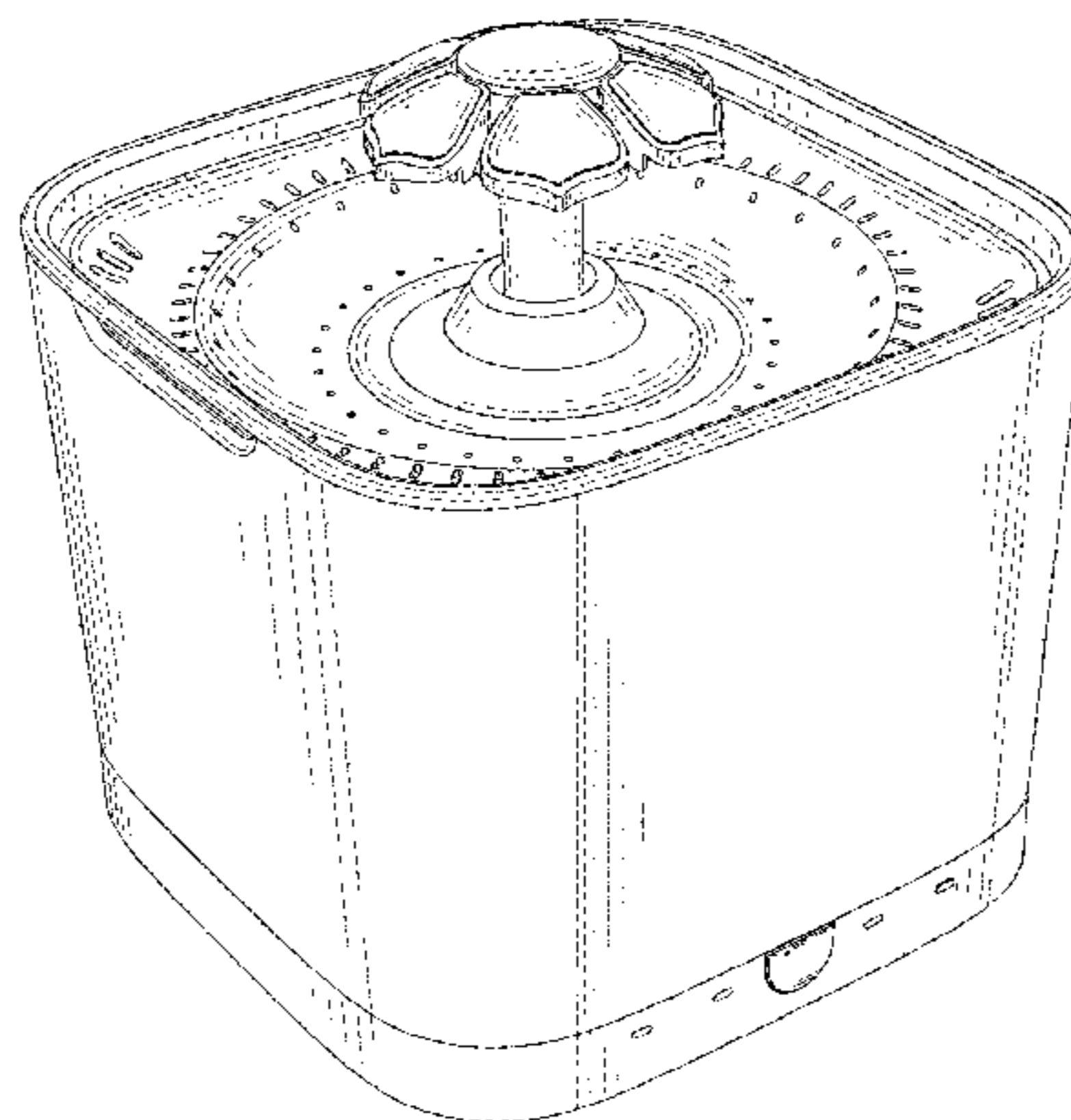
(57) **CLAIM**

I claim the ornamental design for a waterer for animals, as shown and described.

DESCRIPTION

FIG. 1 is a first perspective view of a waterer for animals showing my new design;
FIG. 2 is a second perspective view thereof;
FIG. 3 is a front elevational view thereof;
FIG. 4 is a rear elevational view thereof;
FIG. 5 is a left elevational view thereof;
FIG. 6 is a right elevational view thereof;
FIG. 7 is a top plan view thereof; and,
FIG. 8 is a bottom plan view thereof.

(Continued)



The broken lines in FIG. 2 and FIG. 8 illustrate four holes which form no part of the claimed design.

1 Claim, 8 Drawing Sheets

(56)

References Cited

U.S. PATENT DOCUMENTS

D255,920 S * 7/1980 Antonell D23/215
 4,286,546 A * 9/1981 Moore A01K 7/005
 119/61.54
 D285,498 S * 9/1986 Thibault D30/132
 4,833,999 A * 5/1989 Rhoades A22C 25/06
 108/150
 D315,193 S * 3/1991 Lach D23/213
 5,050,801 A * 9/1991 Ferrari B05B 3/00
 239/211
 D394,468 S * 5/1998 Leadbetter D21/496
 D394,827 S * 6/1998 Ruthenberg D11/155
 5,806,460 A * 9/1998 Klein A01K 39/00
 119/72
 5,823,431 A * 10/1998 Pierce B05B 17/08
 239/19
 5,862,984 A * 1/1999 Chang B05B 17/08
 239/16
 D412,297 S * 7/1999 Roach D11/152
 D413,156 S * 8/1999 Robinson D23/201
 5,931,382 A * 8/1999 Gross B01F 3/0473
 239/17
 D443,081 S * 5/2001 Klett D26/7
 6,345,466 B1 * 2/2002 Venanzi A01G 9/022
 47/39
 6,390,323 B1 * 5/2002 Alticosalian A01K 5/0128
 220/495.03

6,499,430 B2 * 12/2002 Garcia-Lucio A01K 7/00
 119/72
 6,526,916 B1 * 3/2003 Perlsweig A01K 7/06
 119/74
 D472,604 S * 4/2003 Fritze D23/209
 D475,116 S * 5/2003 Chan D23/201
 6,592,053 B2 * 7/2003 Ericksen B05B 17/08
 239/16
 D506,527 S * 6/2005 Chang D23/217
 6,981,652 B2 * 1/2006 Lin B05B 17/08
 239/16
 7,007,634 B1 * 3/2006 Pederson A01K 7/04
 119/78
 D572,415 S * 7/2008 Dye, Jr. D30/123
 D576,249 S * 9/2008 Camacho D23/201
 D584,430 S * 1/2009 Furner D26/9
 D591,863 S * 5/2009 Holtsnider D24/201
 7,699,603 B2 * 4/2010 Furner F21V 23/04
 431/289
 D631,128 S * 1/2011 Laporta D23/201
 D682,481 S * 5/2013 Krueger D30/124
 D698,097 S * 1/2014 Muhr D30/124
 D820,533 S * 6/2018 Huang D30/132
 10,165,753 B1 * 1/2019 Huang A01K 7/02
 2006/0027179 A1 * 2/2006 Welbourne A01K 7/06
 119/75
 2006/0174838 A1 * 8/2006 Plante A01K 7/02
 119/74
 2008/0087225 A1 * 4/2008 Lin A01K 39/02
 119/72
 2010/0095897 A1 * 4/2010 Rowe A01K 7/00
 119/72
 2013/0174790 A1 * 7/2013 Lipscomb A01K 7/02
 119/74
 2013/0291802 A1 * 11/2013 Carpentieri A01K 7/00
 119/72
 2014/0076242 A1 * 3/2014 Ho A01K 7/04
 119/74

* cited by examiner

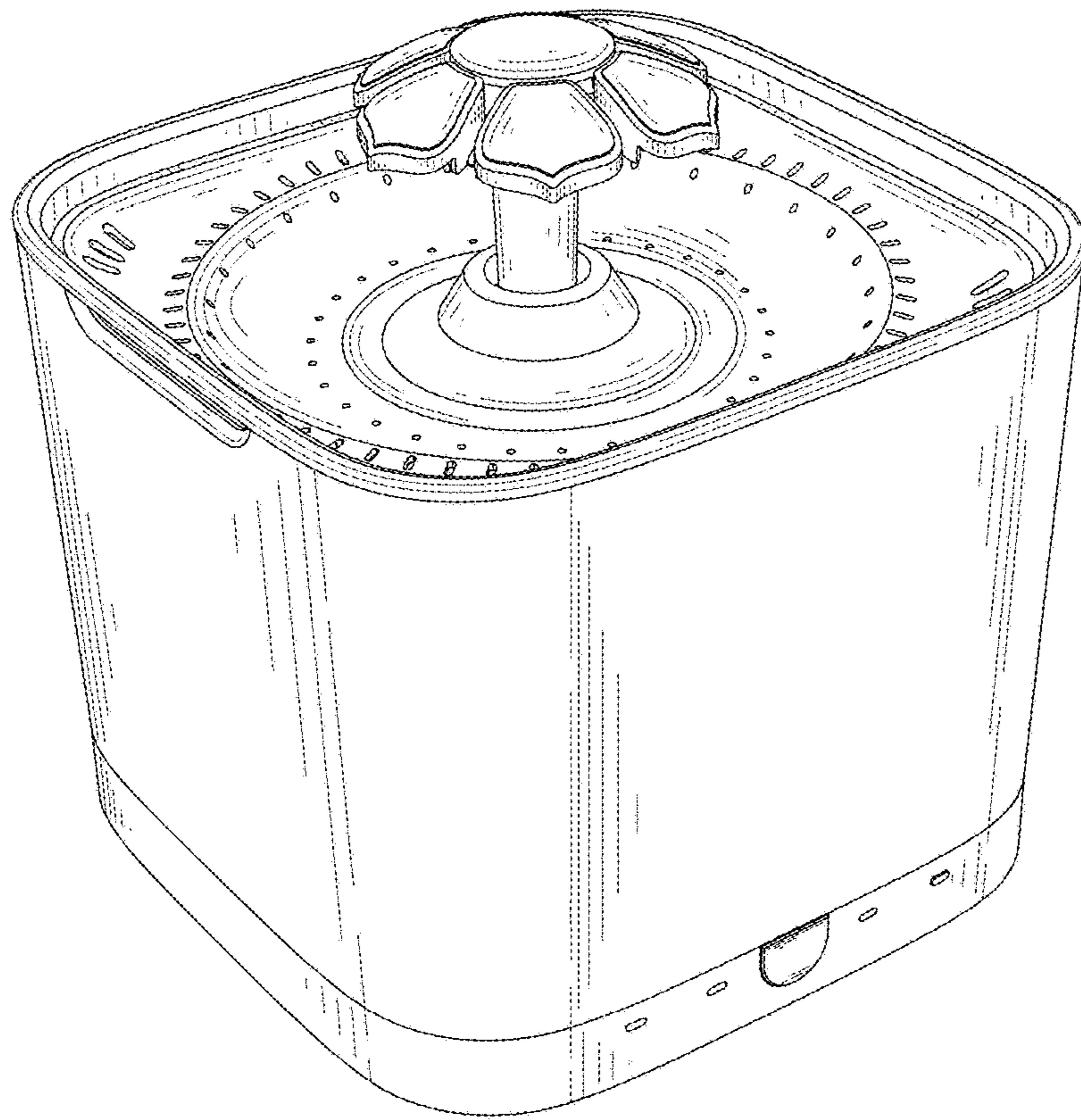


FIG. 1

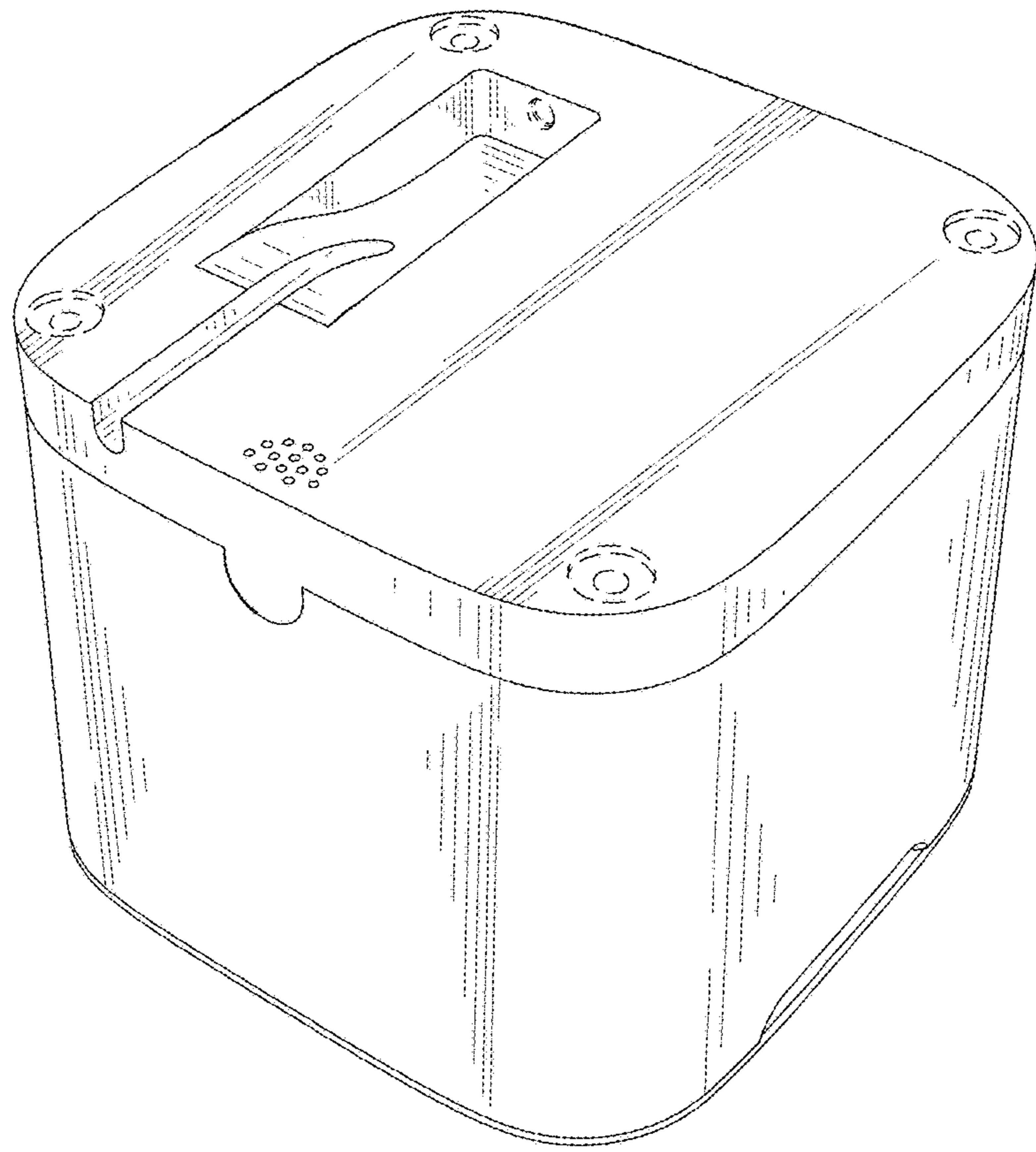


FIG. 2

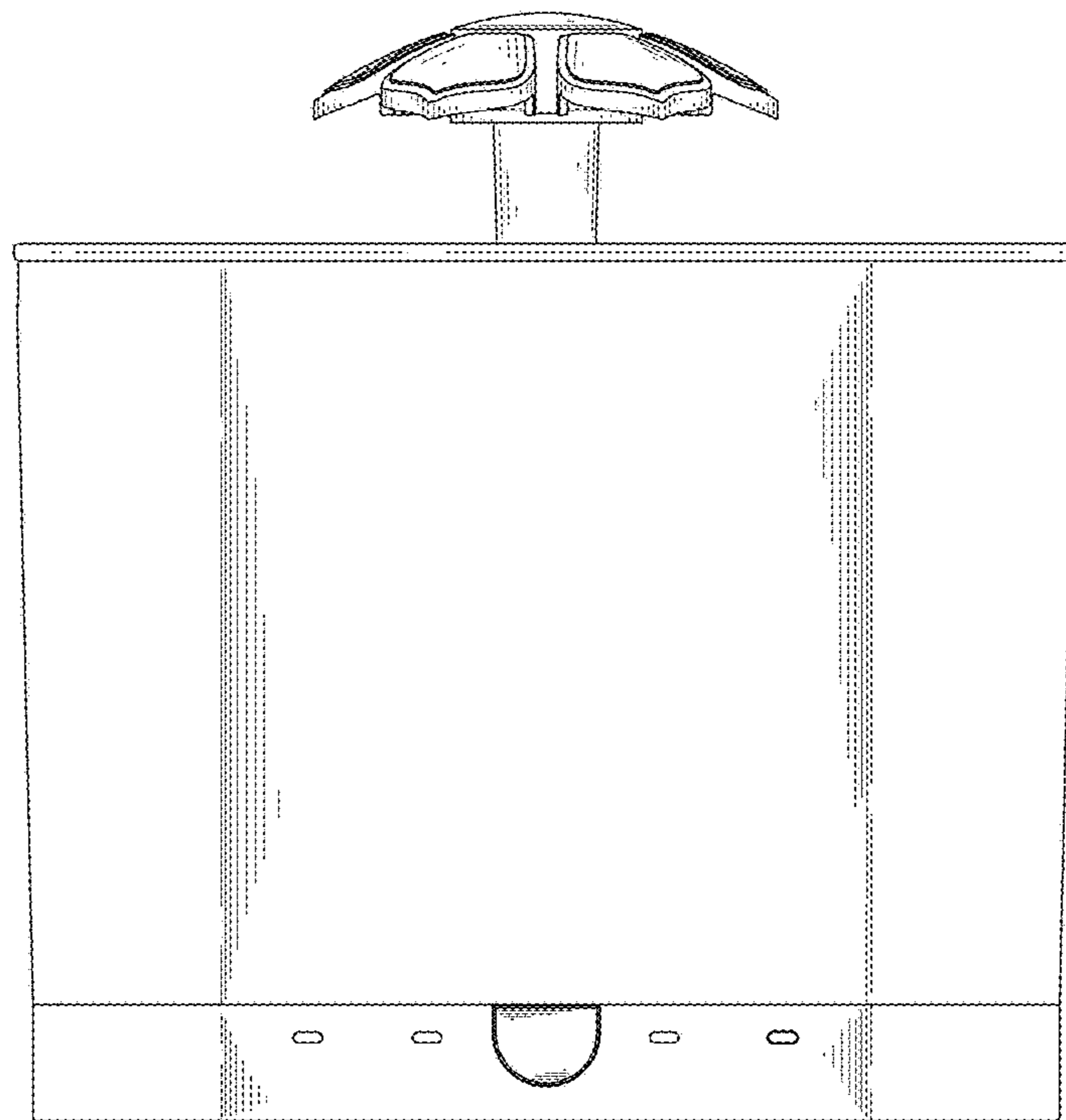


FIG. 3

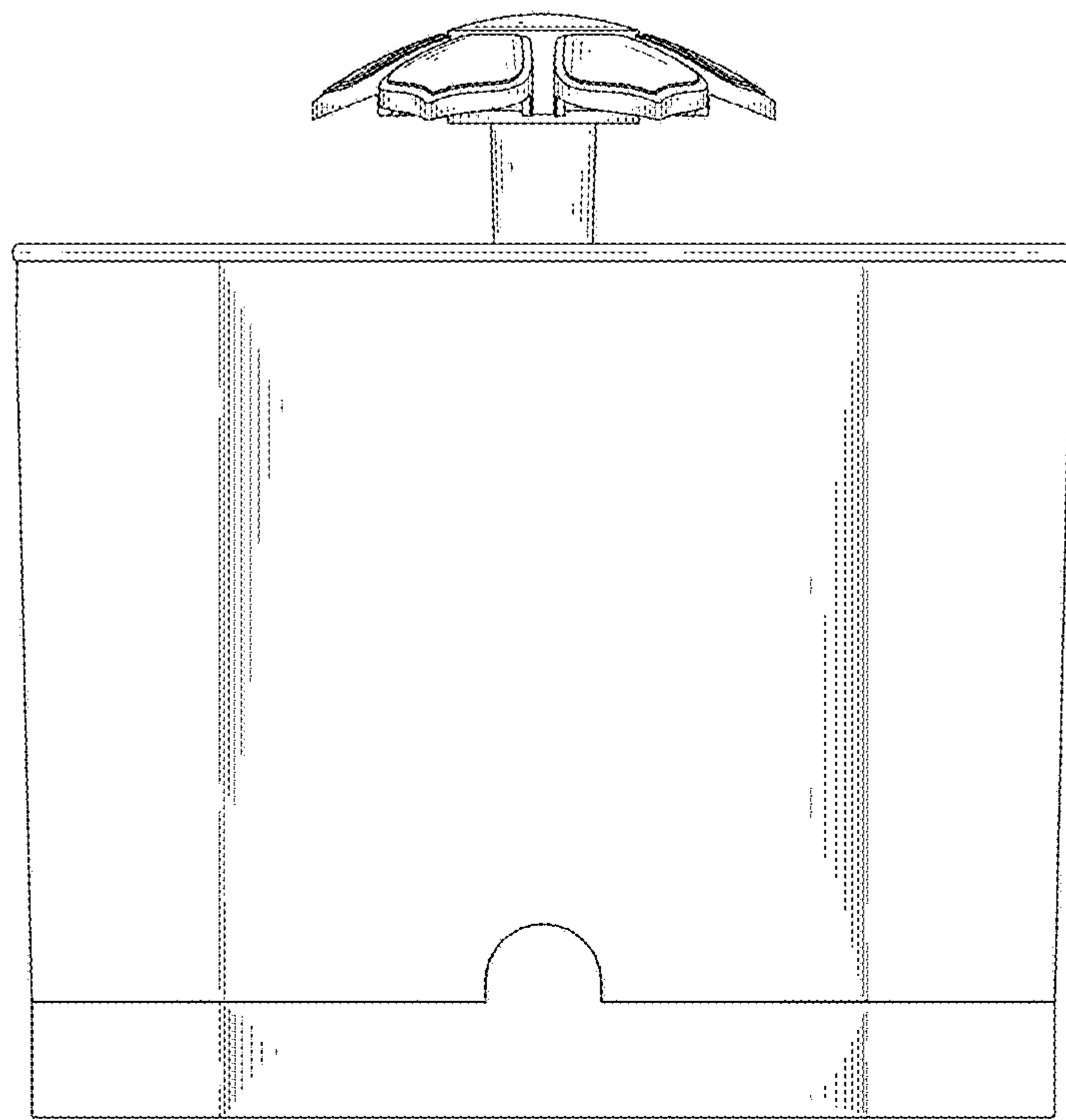


FIG. 4

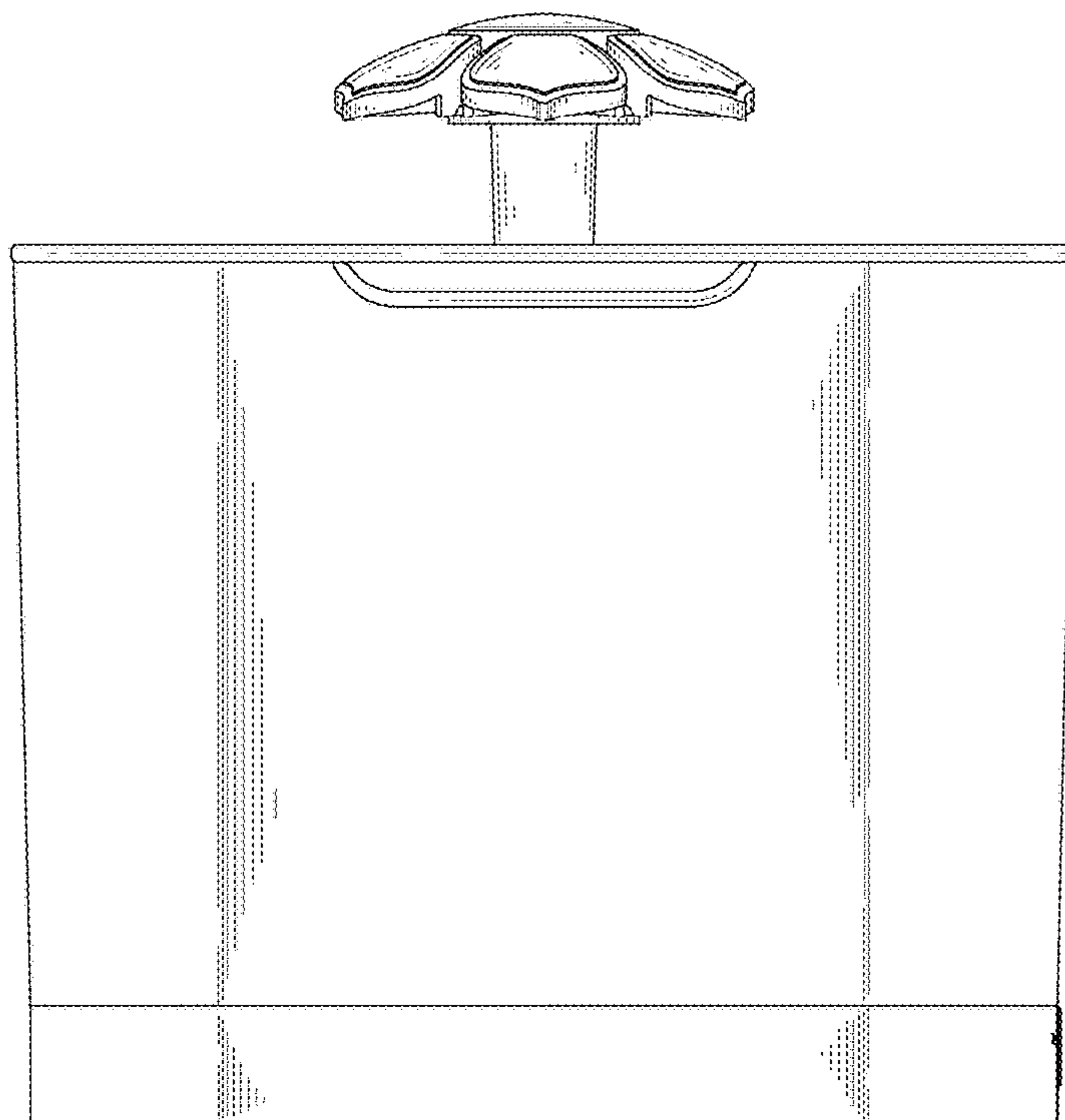


FIG. 5

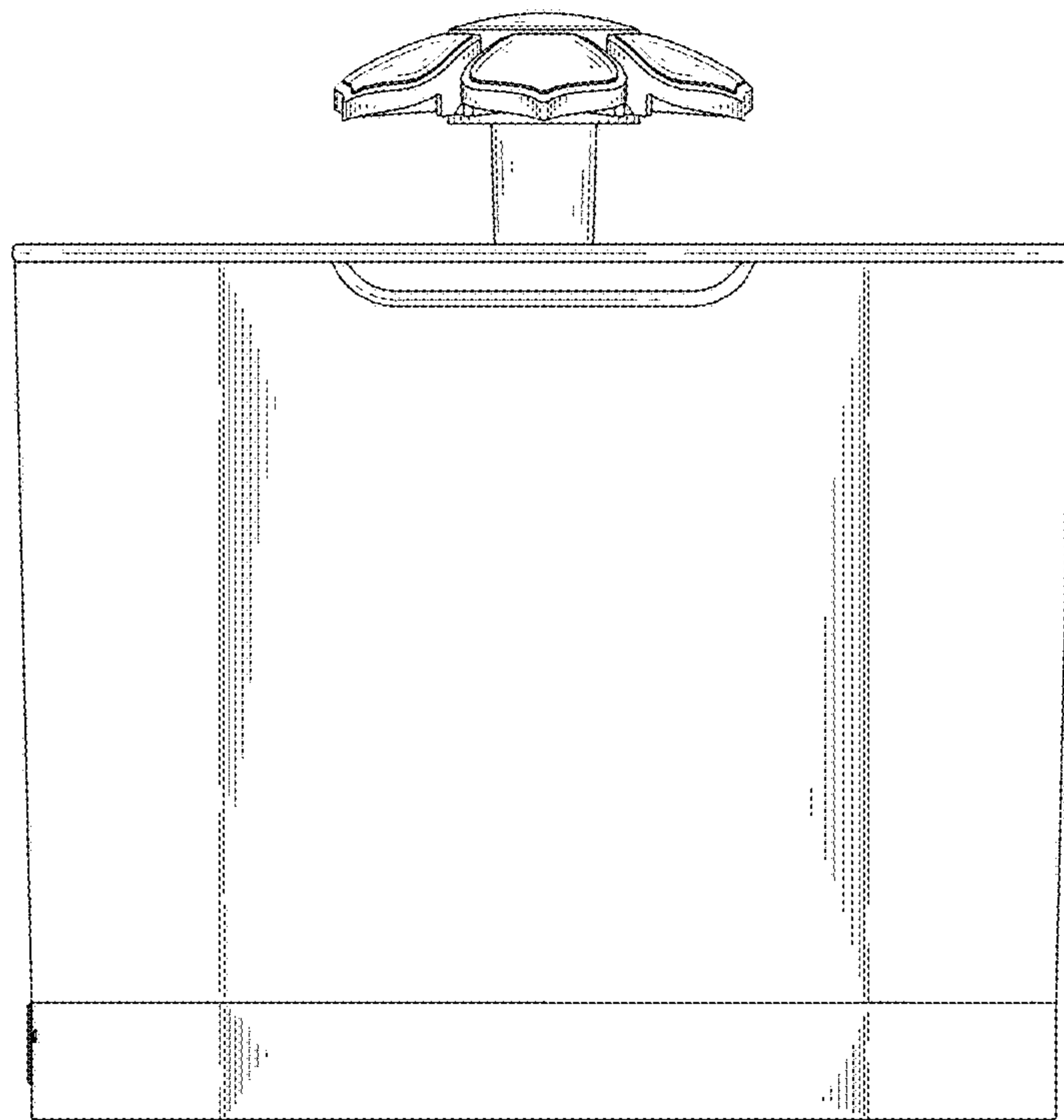


FIG. 6

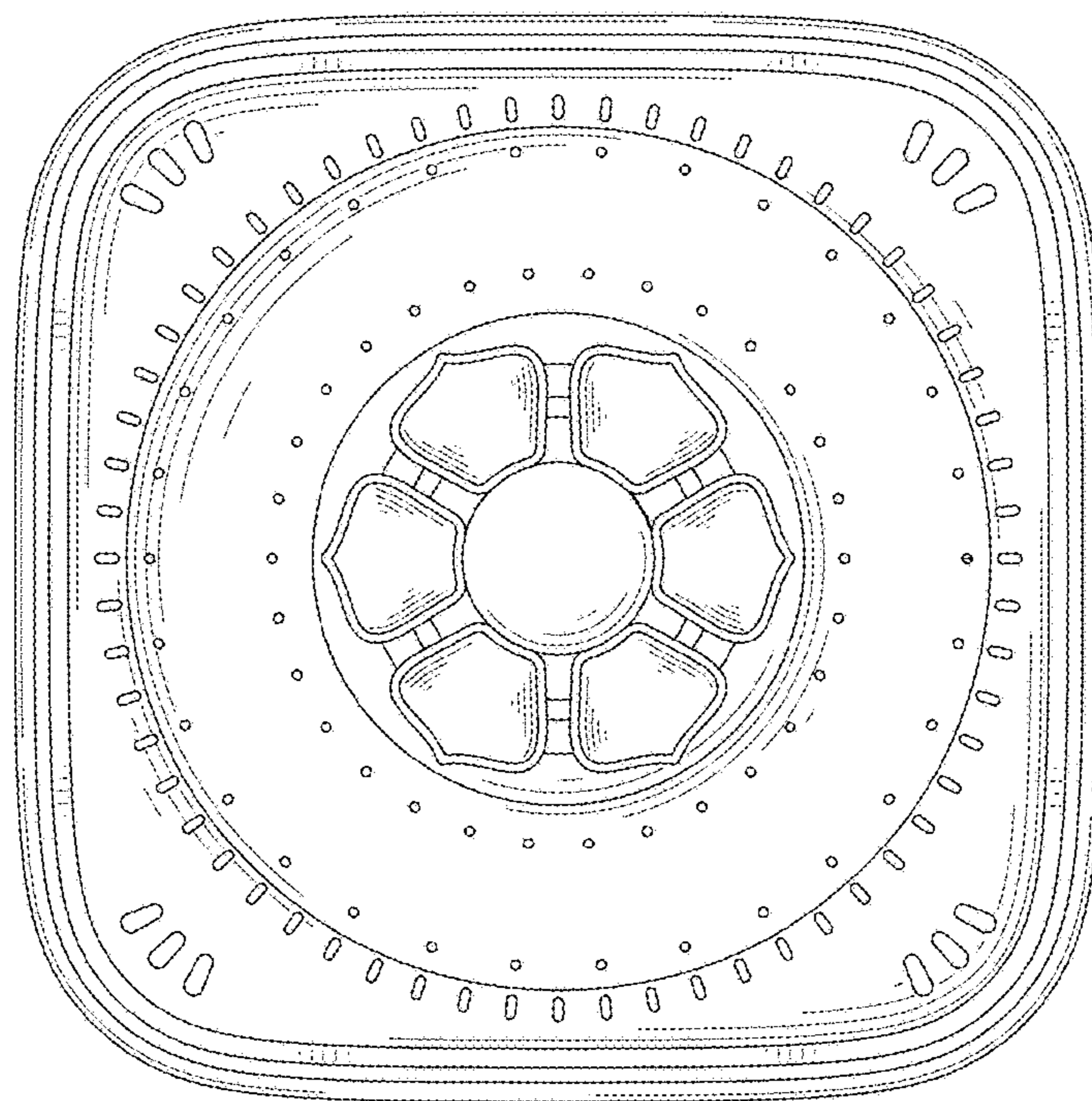


FIG. 7

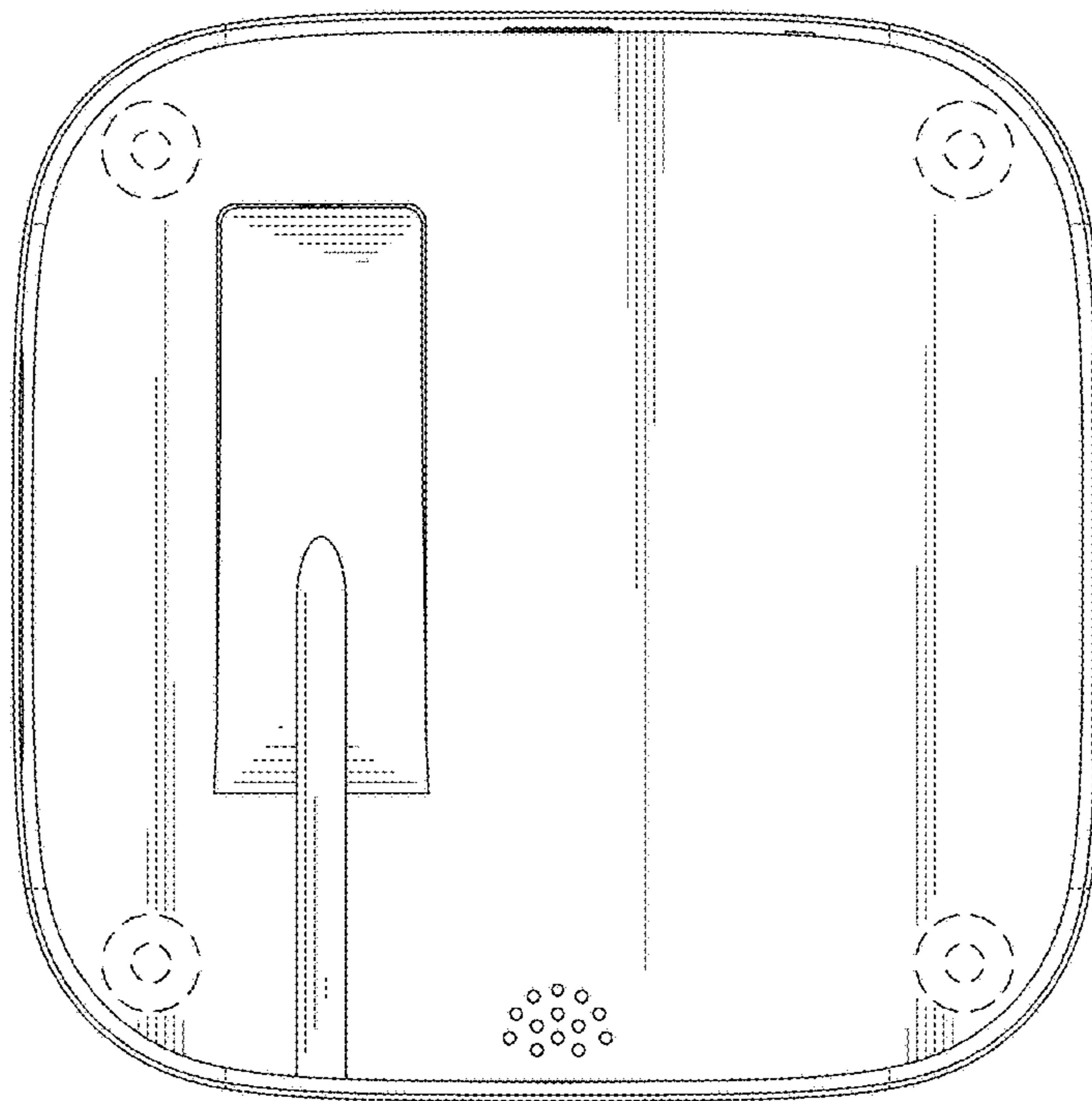


FIG. 8