



US00D850727S

(12) **United States Design Patent**
Petrucelli

(10) **Patent No.:** **US D850,727 S**

(45) **Date of Patent:** **** Jun. 4, 2019**

(54) **BRACKET WITH TUBES FOR HOLDING HAIR STYLING TOOLS**

(71) Applicant: **P.S. Pibbs, Inc.**, Flushing, NY (US)

(72) Inventor: **Giulio Petrucelli**, Flushing, NY (US)

(73) Assignee: **P.S. PIBBS, INC.**, Flushing, NY (US)

(**) Term: **15 Years**

(21) Appl. No.: **29/603,667**

(22) Filed: **May 11, 2017**

(51) **LOC (11) Cl.** **28-03**

(52) **U.S. Cl.**
USPC **D28/73**; D28/38

(58) **Field of Classification Search**
USPC D28/8.1, 38, 56, 57, 58, 59, 61, 62,
D28/73-75, 76-84; D19/75, 77; D6/513,
D6/525, 526, 531, 567, 570;
D7/600.1-600.4, 704
CPC A45C 11/00; A47B 81/00; A47G 29/08;
A45D 31/00; A45D 2033/001; A45D
33/003; A45D 33/006-33/008; A45D
33/22; A45D 33/24; A45D 33/26; A45D
(Continued)

(56) **References Cited**

U.S. PATENT DOCUMENTS

D293,651 S * 1/1988 Aeschliman 248/314
5,727,701 A * 3/1998 Rhoades A45D 1/00
211/70.6
D469,926 S * 2/2003 Petrucelli D28/73
(Continued)

OTHER PUBLICATIONS

Saloniture Tabletop Blow Dryer & Hair Iron Holder, Saloniture,
Oct. 2, 2014 on amazon.com, retrieved on Sep. 16, 2018, retrieved

from the Internet URL: <https://www.amazon.com/Saloniture-Tabletop-Blow-Dryer-Holder/dp/B00I4ZTDPQ>.*

Primary Examiner — Jennifer Rivard
Assistant Examiner — Alison M Ofstun

(74) *Attorney, Agent, or Firm* — Gerald E. Hespos;
Michael J. Porco; Matthew T. Hespos

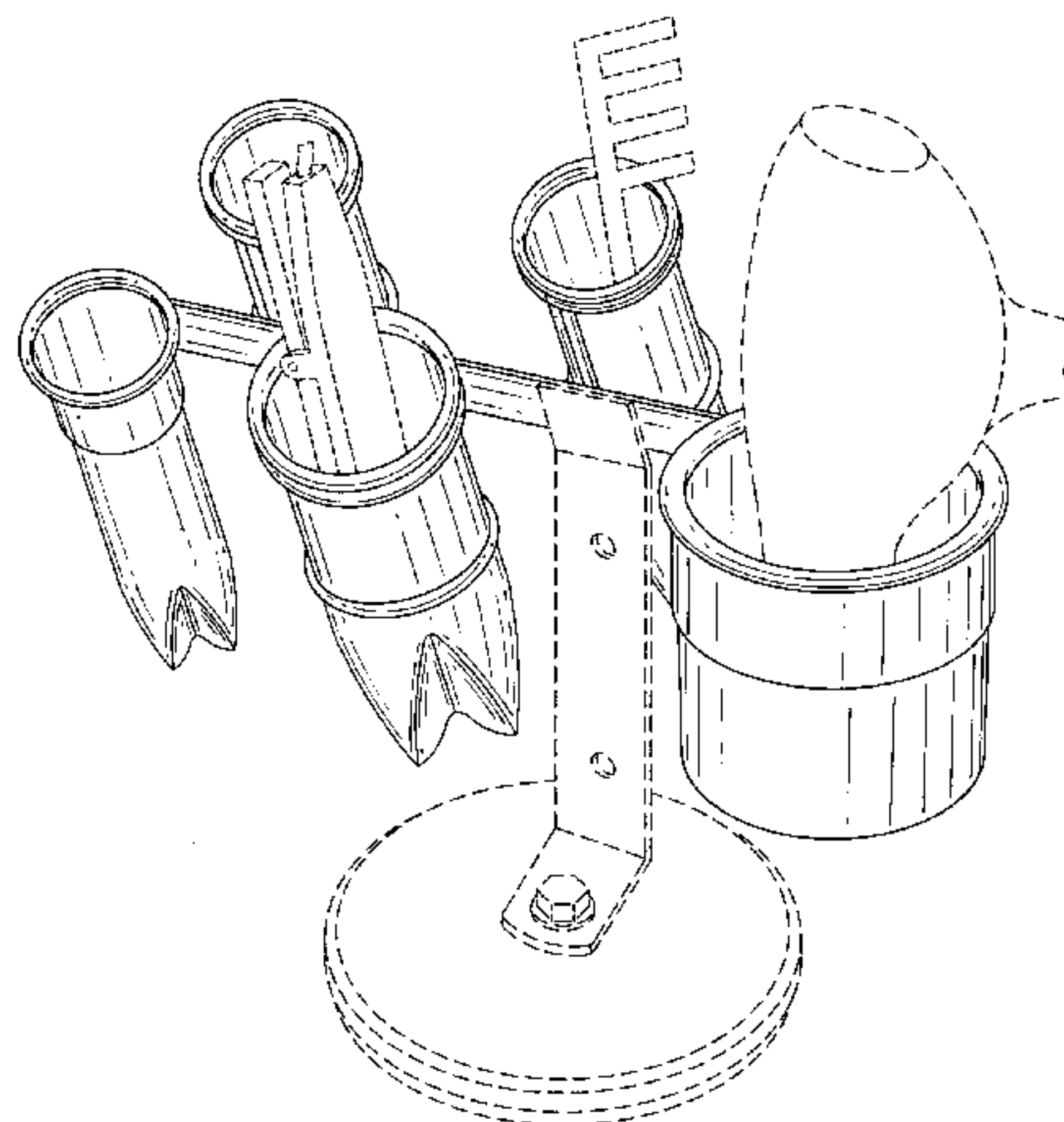
(57) **CLAIM**

The ornamental design for a bracket with tubes for holding hair styling tools, as shown and described.

DESCRIPTION

FIG. 1 is a perspective view of a bracket with tubes for holding hair styling tools showing my new design, in a condition of use with exemplary hair styling tools; FIG. 2 is a perspective view thereof, with the exemplary hair styling tools removed to show aspects of the design that are not visible when combined; FIG. 3 is a front elevational view thereof; FIG. 4 is a top plan view thereof; FIG. 5 is a side elevational view thereof as viewed from the right side of FIGS. 2 and 3; FIG. 6 is a side elevational view thereof as viewed from the left side of FIGS. 2 and 3; FIG. 7 is a rear elevational view thereof; FIG. 8 is a bottom plan view thereof. FIG. 9 is a perspective view thereof, with the tubes removed to show aspects of the design that are not visible when combined; FIG. 10 is a perspective view thereof, shown in an alternate environment of use; FIG. 11 is a front elevational view of one, shown separately, to show aspects of the design that are not visible when combined. FIG. 12 is a top plan view of the tube shown in FIG. 11; and, FIG. 13 is a bottom plan view of the tube shown in FIG. 11. In the drawings, the broken lines represent portions of the article and environmental subject matter, none of which form part of the claimed design.

1 Claim, 11 Drawing Sheets



(58) **Field of Classification Search**

CPC 33/28; A45D 34/00; A45D 34/06; A45D
40/24

See application file for complete search history.

(56) **References Cited**

U.S. PATENT DOCUMENTS

D525,657 S *	7/2006	Warren, III	D19/77
D702,887 S *	4/2014	Petruccelli	D28/38
D703,266 S *	4/2014	Larson	D19/77
D703,382 S *	4/2014	Petruccelli	D28/38
D703,383 S *	4/2014	Petruccelli	D28/38
D747,553 S *	1/2016	Osweiler	D28/38
D768,934 S *	10/2016	Osweiler	D28/38
D779,735 S *	2/2017	Petruccelli	D28/38
D792,651 S *	7/2017	Petruccelli	D28/38
D806,949 S *	1/2018	Cozzolino	D28/38
D827,341 S *	9/2018	Hertaus	D6/680.3
2013/0015149 A1 *	1/2013	Alexander	A45D 1/00 211/60.1

* cited by examiner

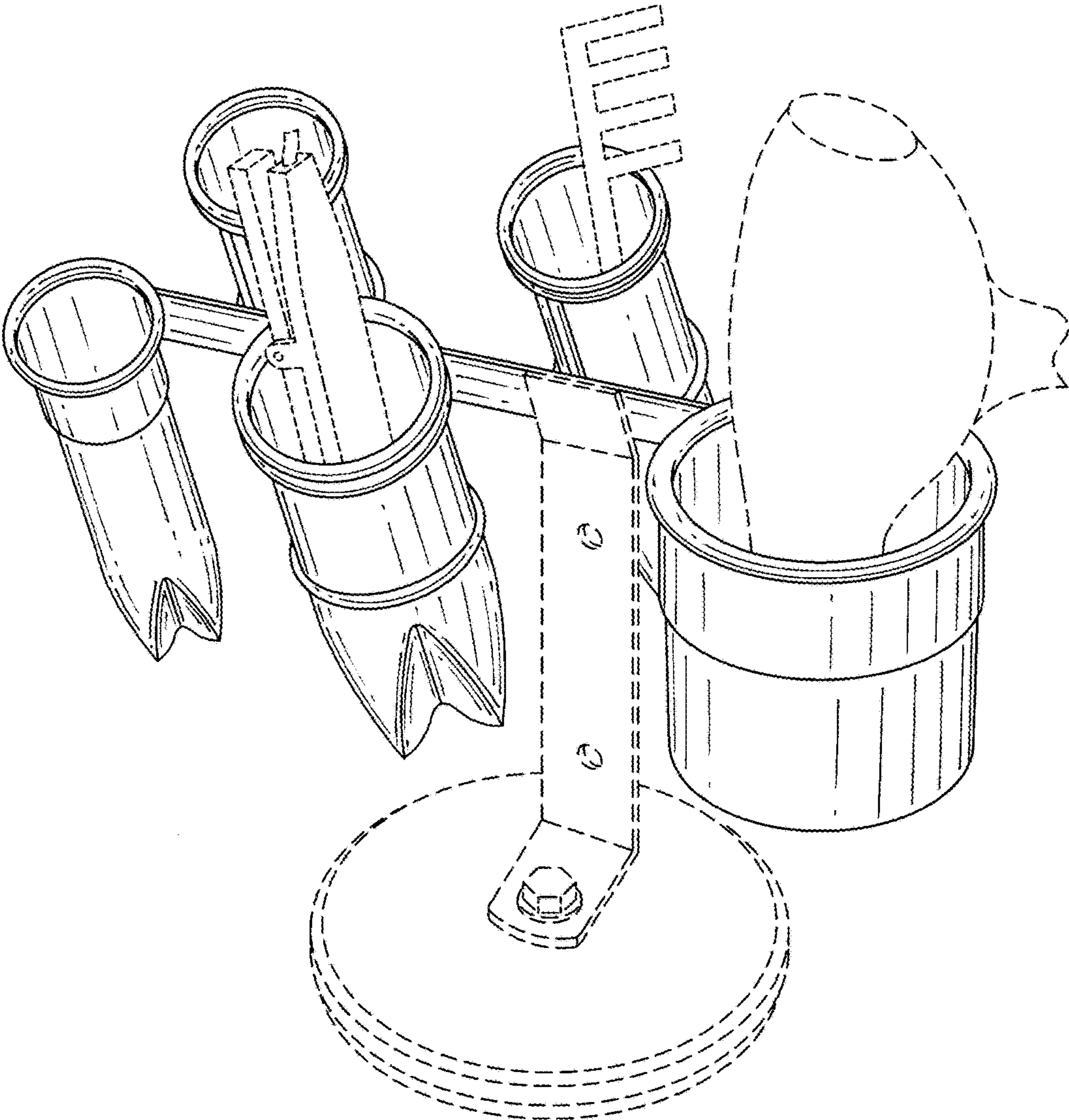


FIG. 1

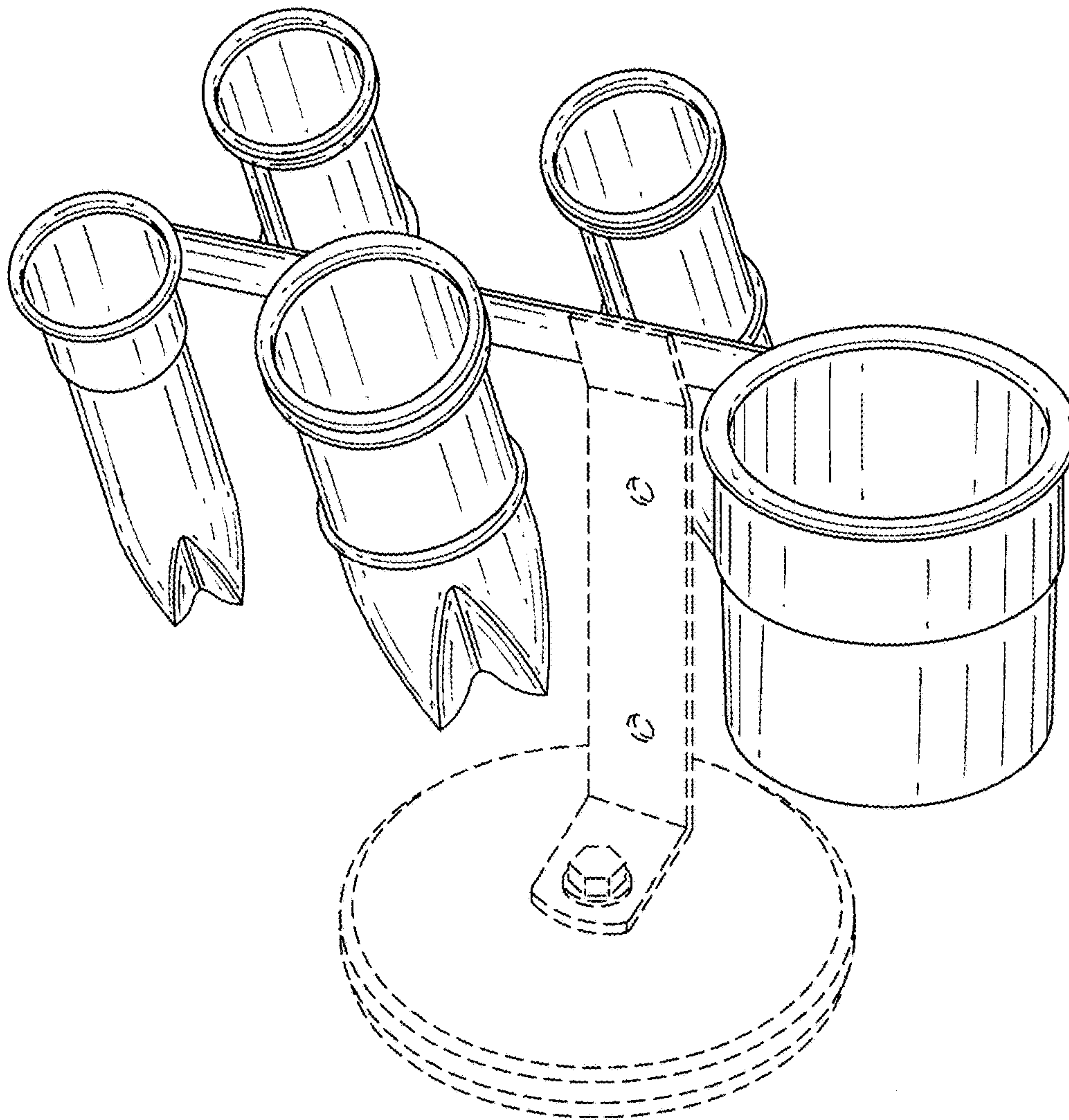


FIG.2

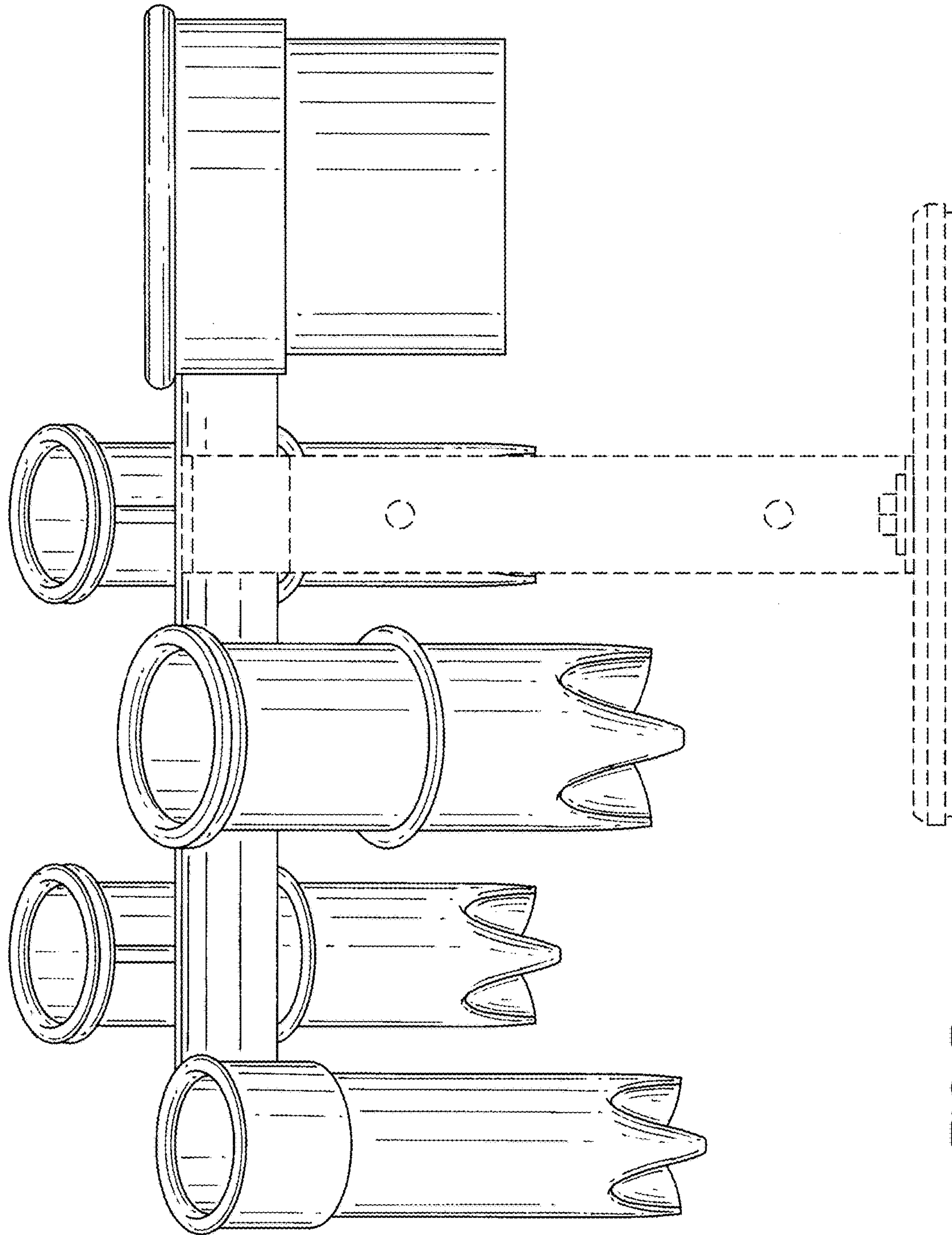


FIG. 3

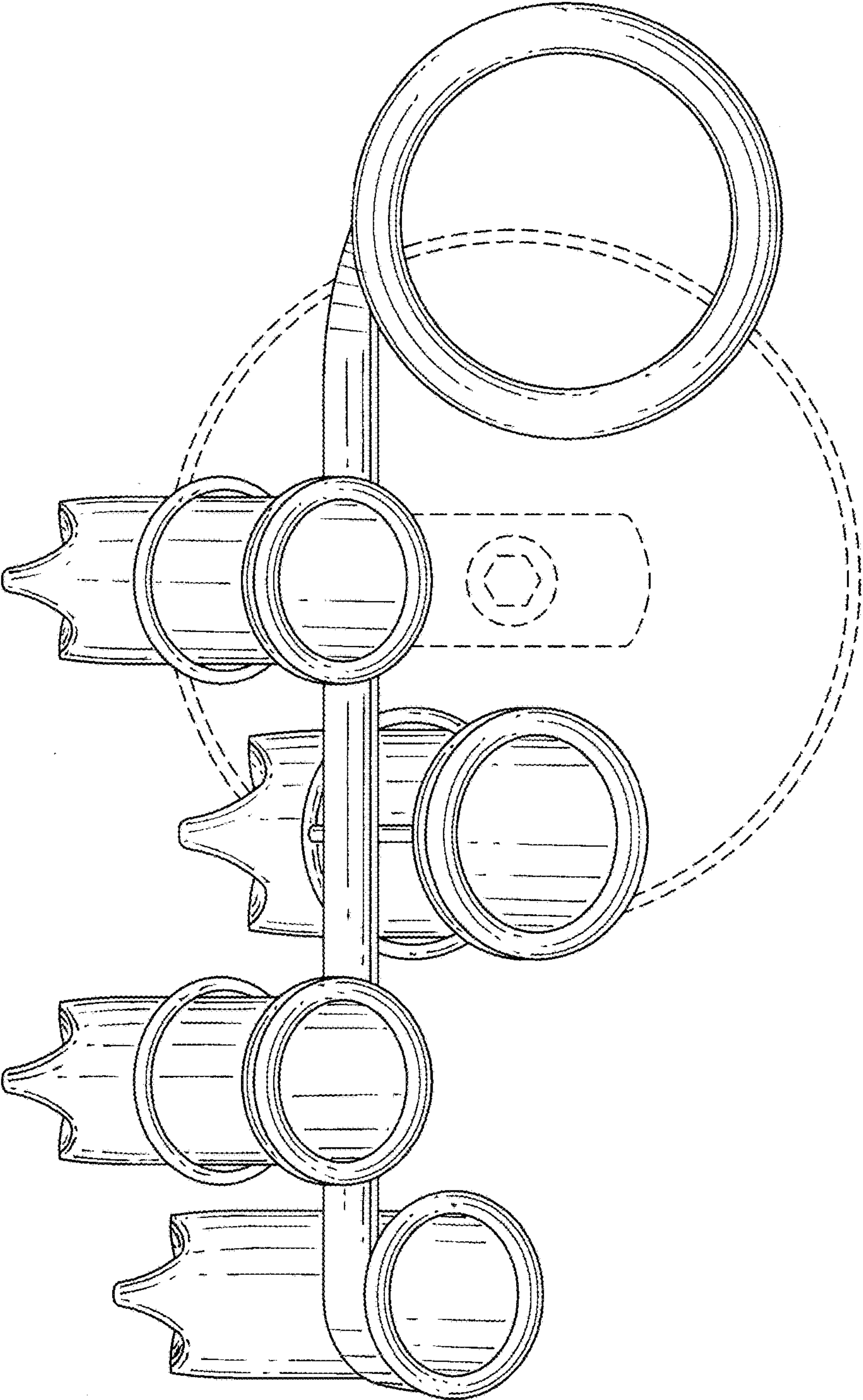


FIG.4

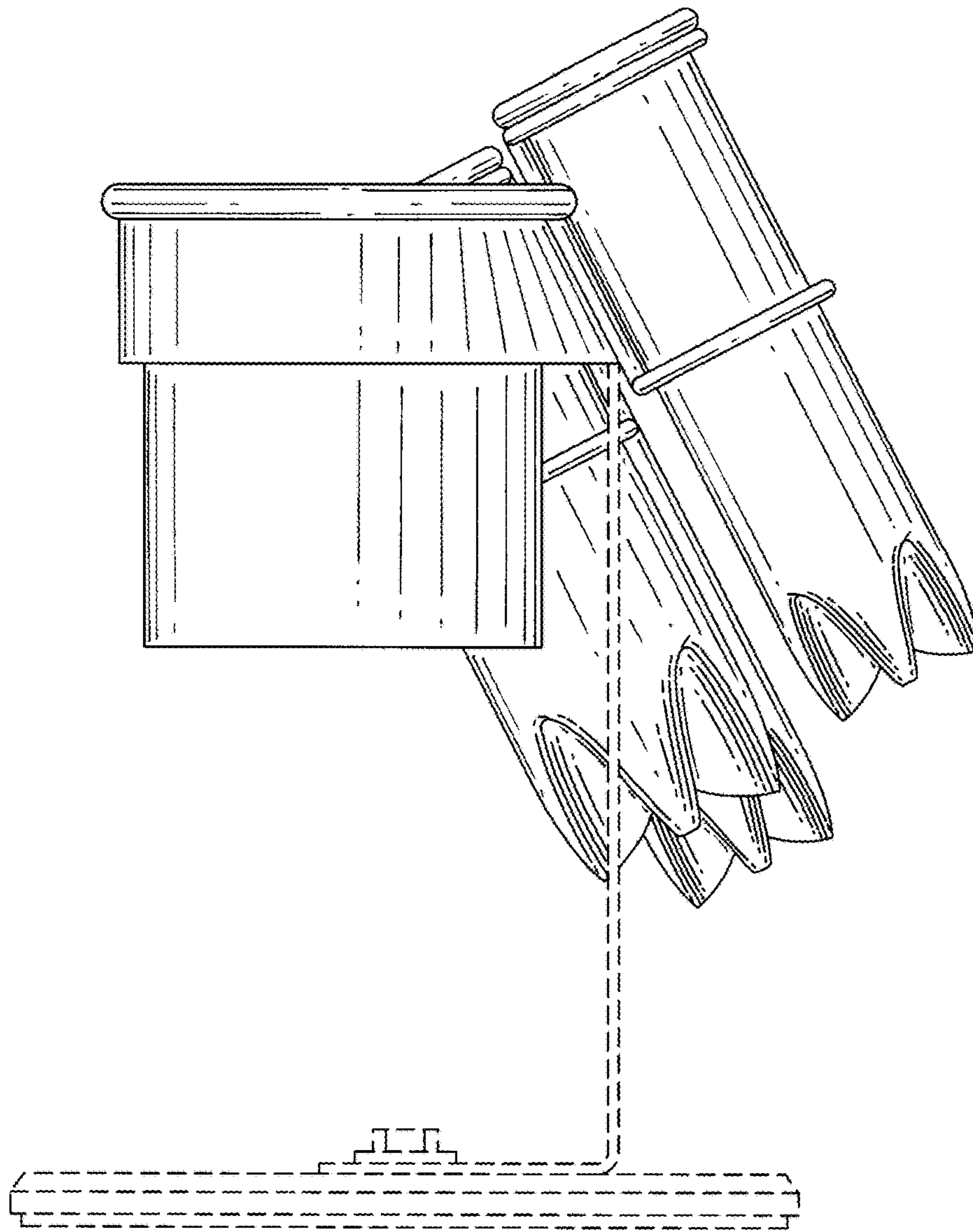


FIG.5

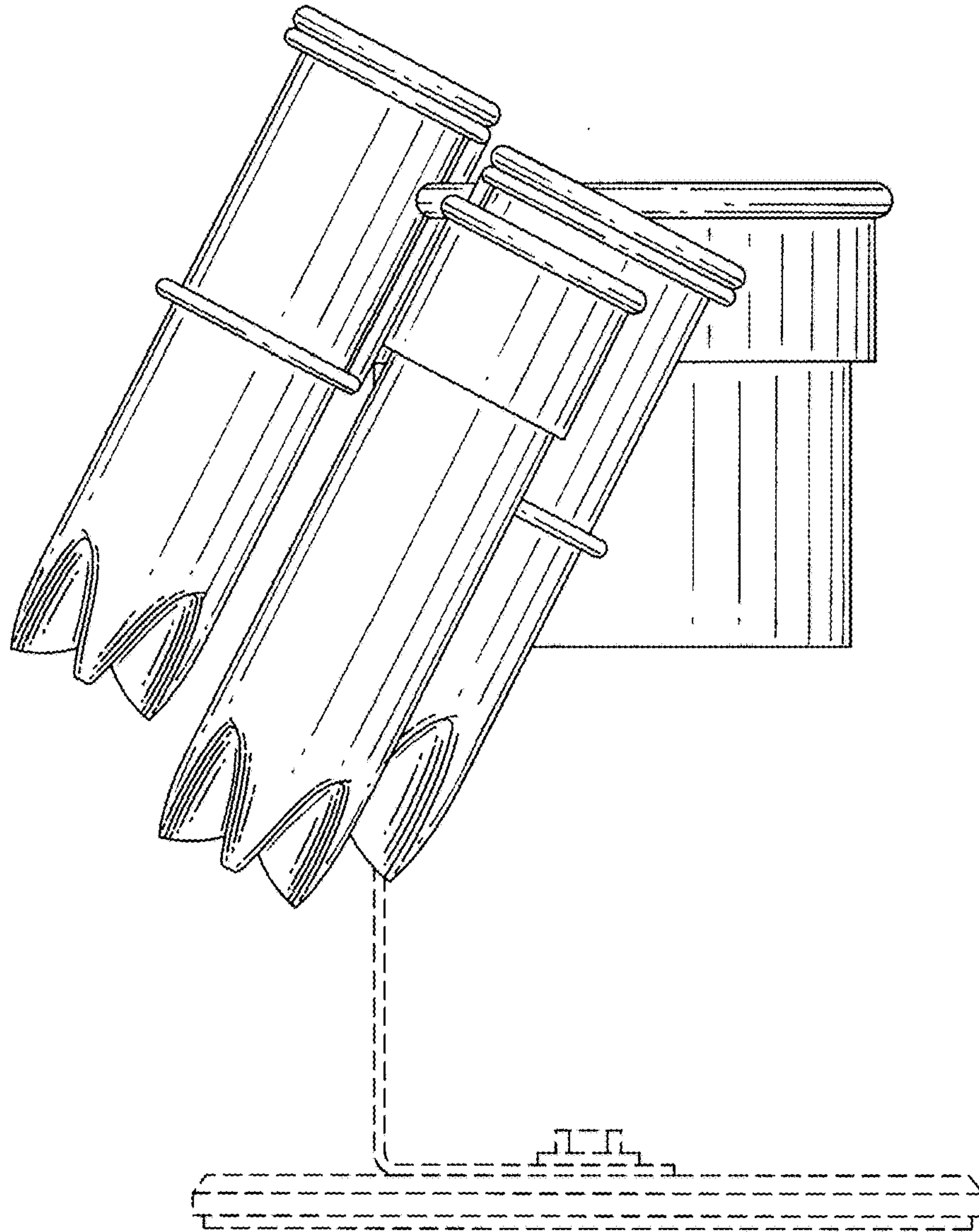


FIG.6

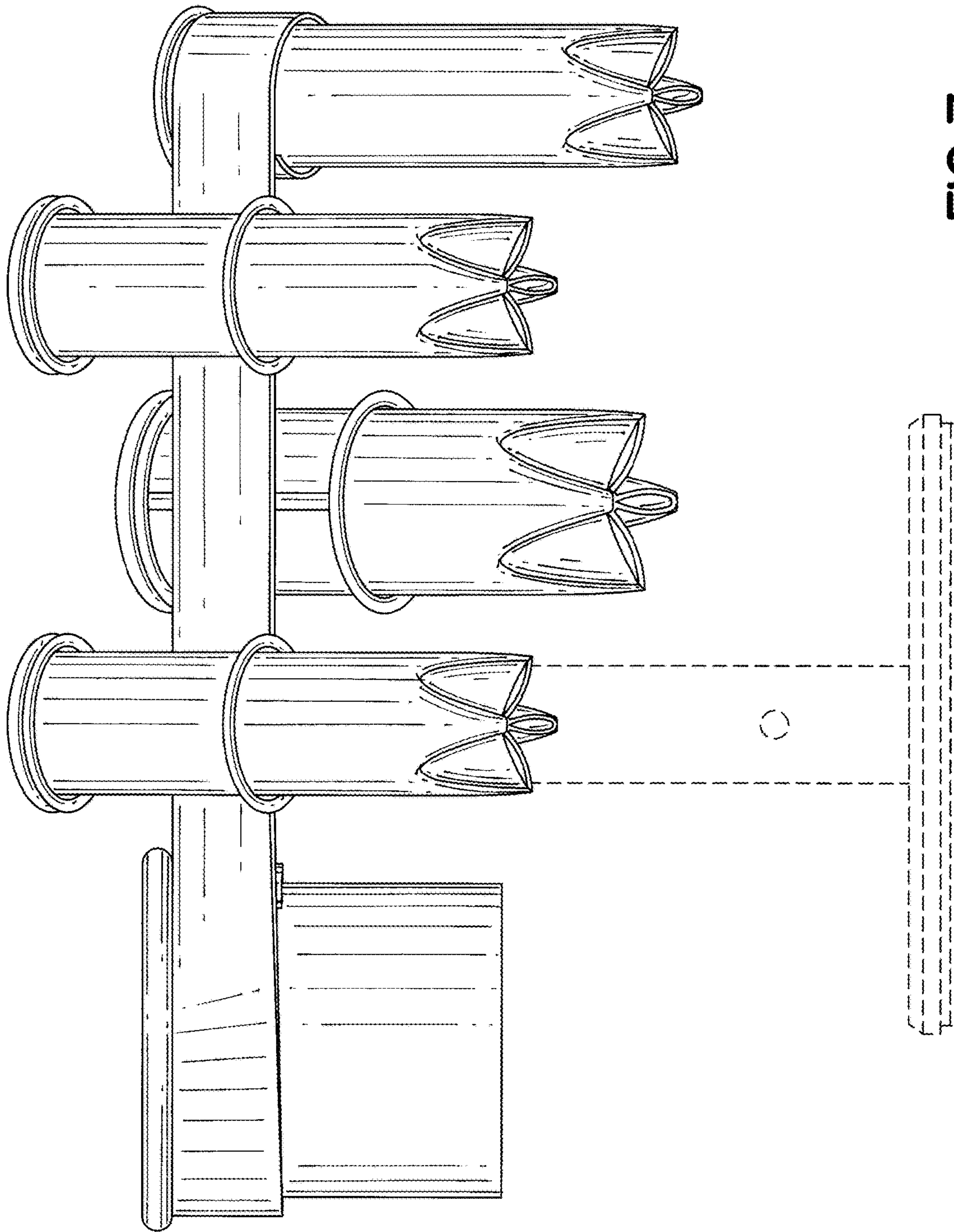


FIG. 7

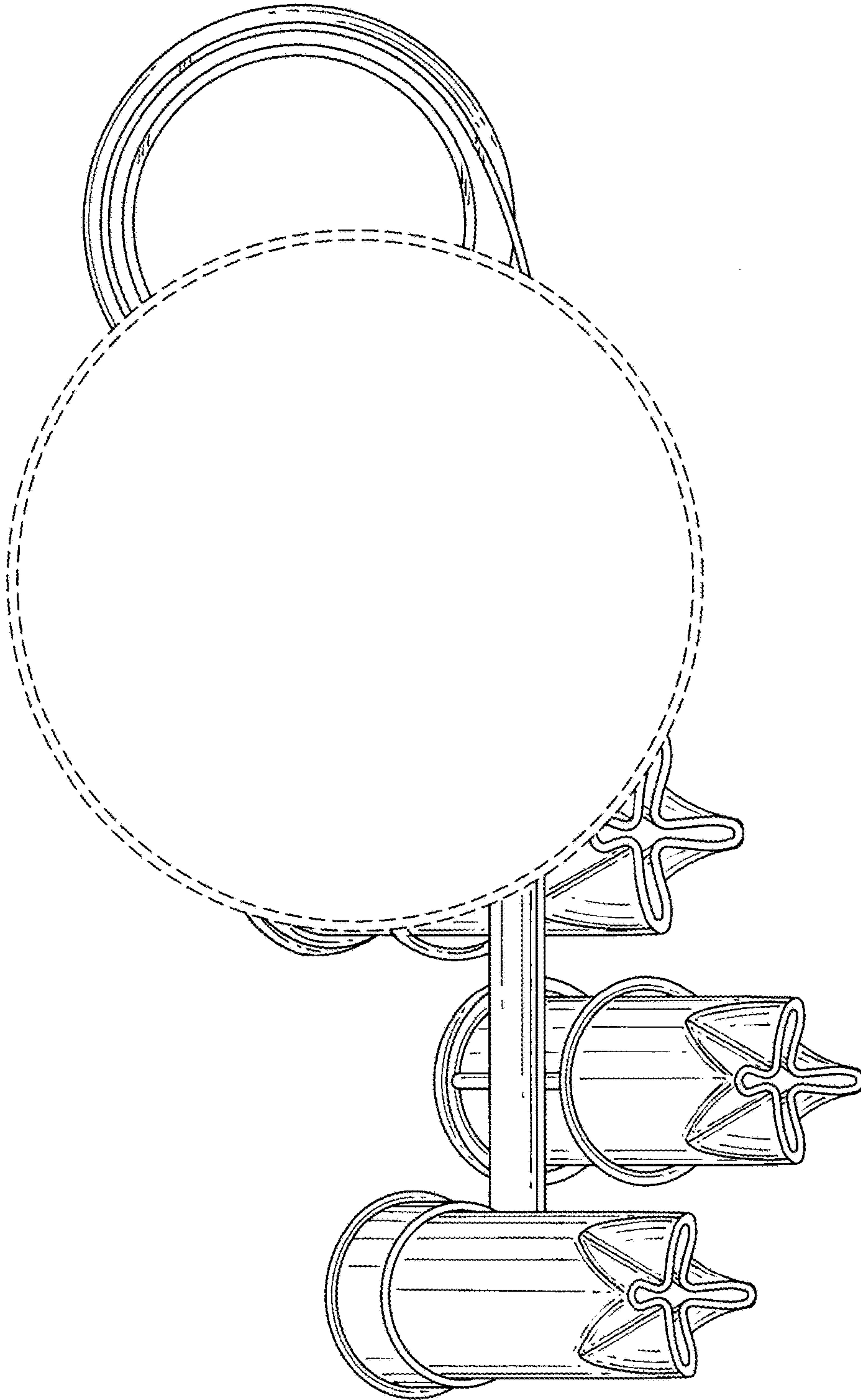


FIG.8

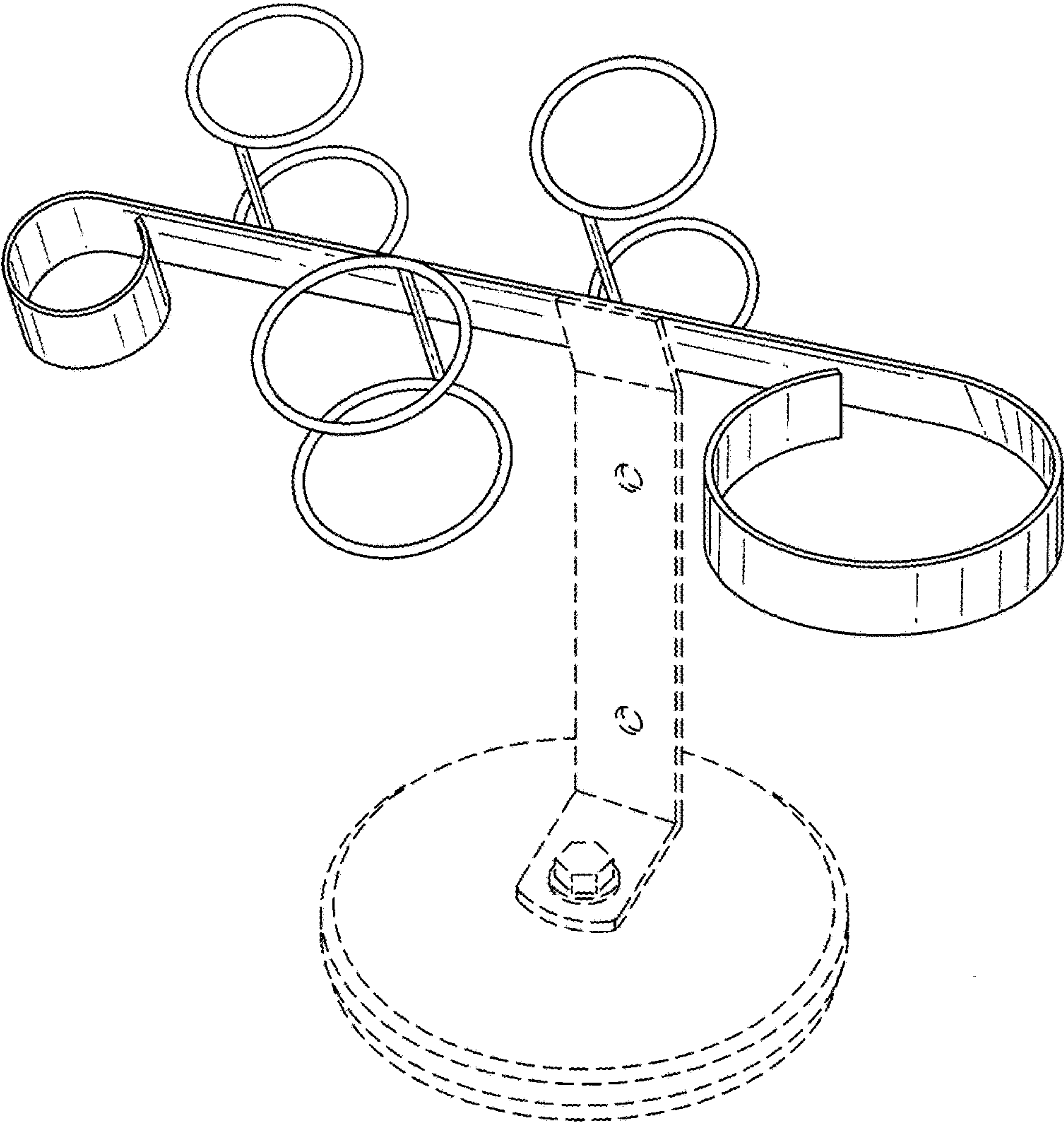


FIG.9

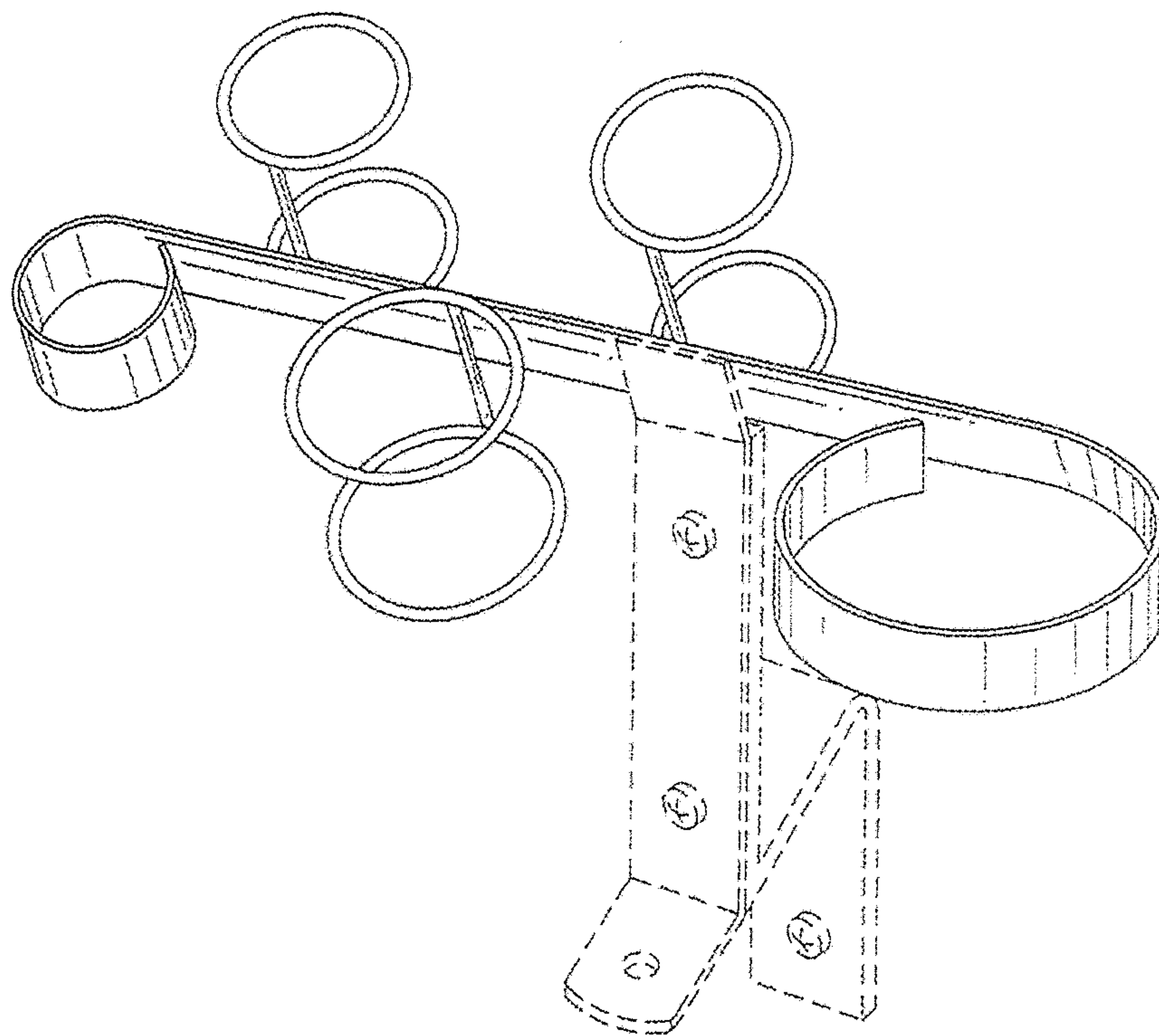


FIG. 10

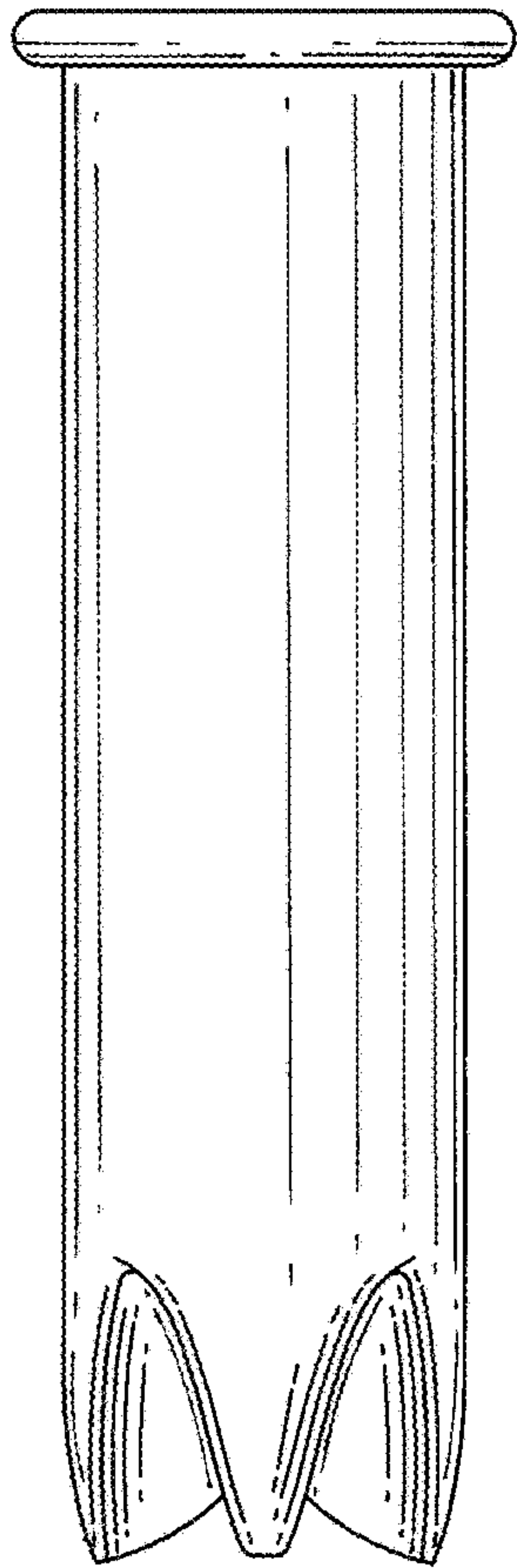


FIG. 11

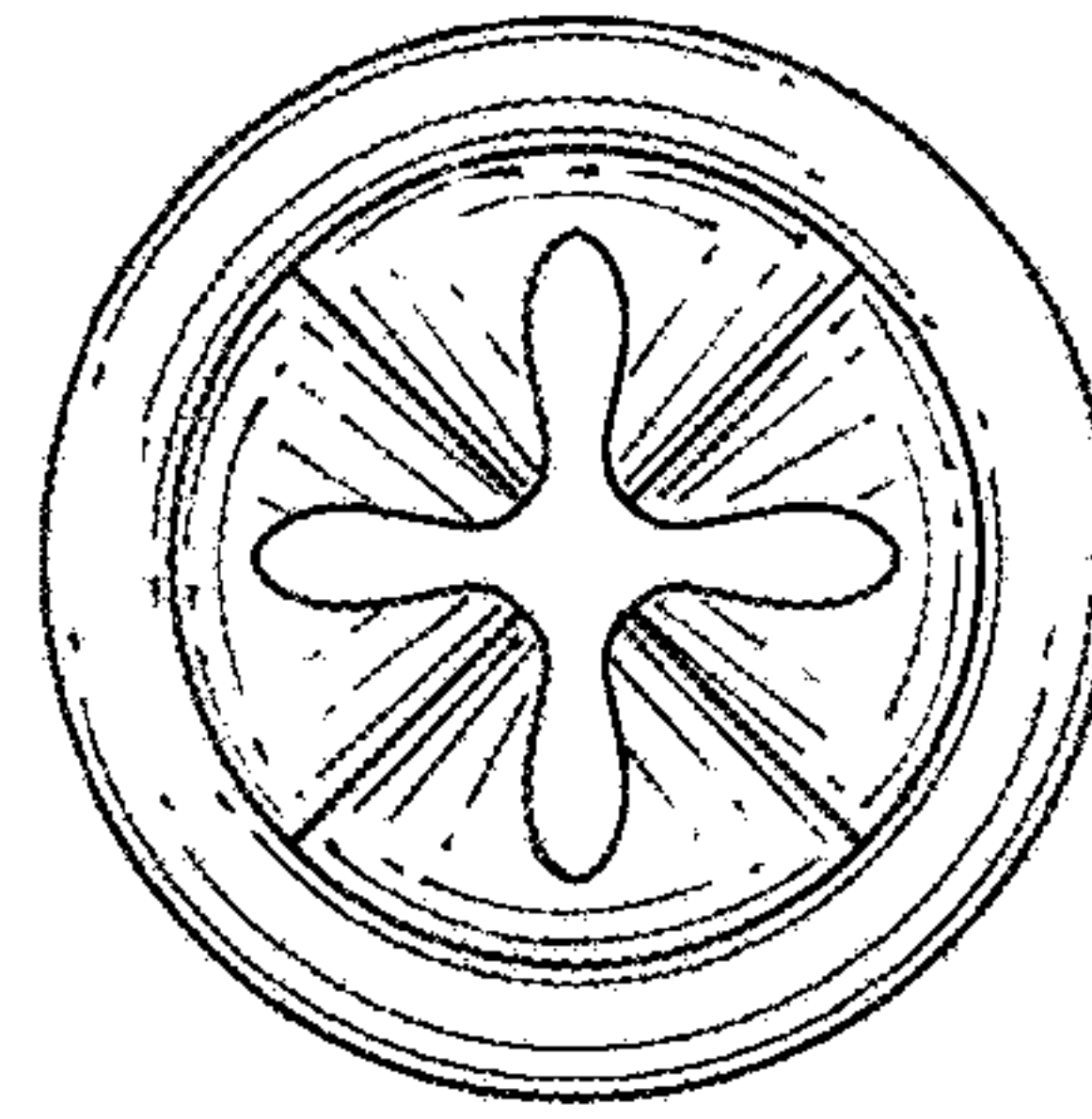


FIG. 12

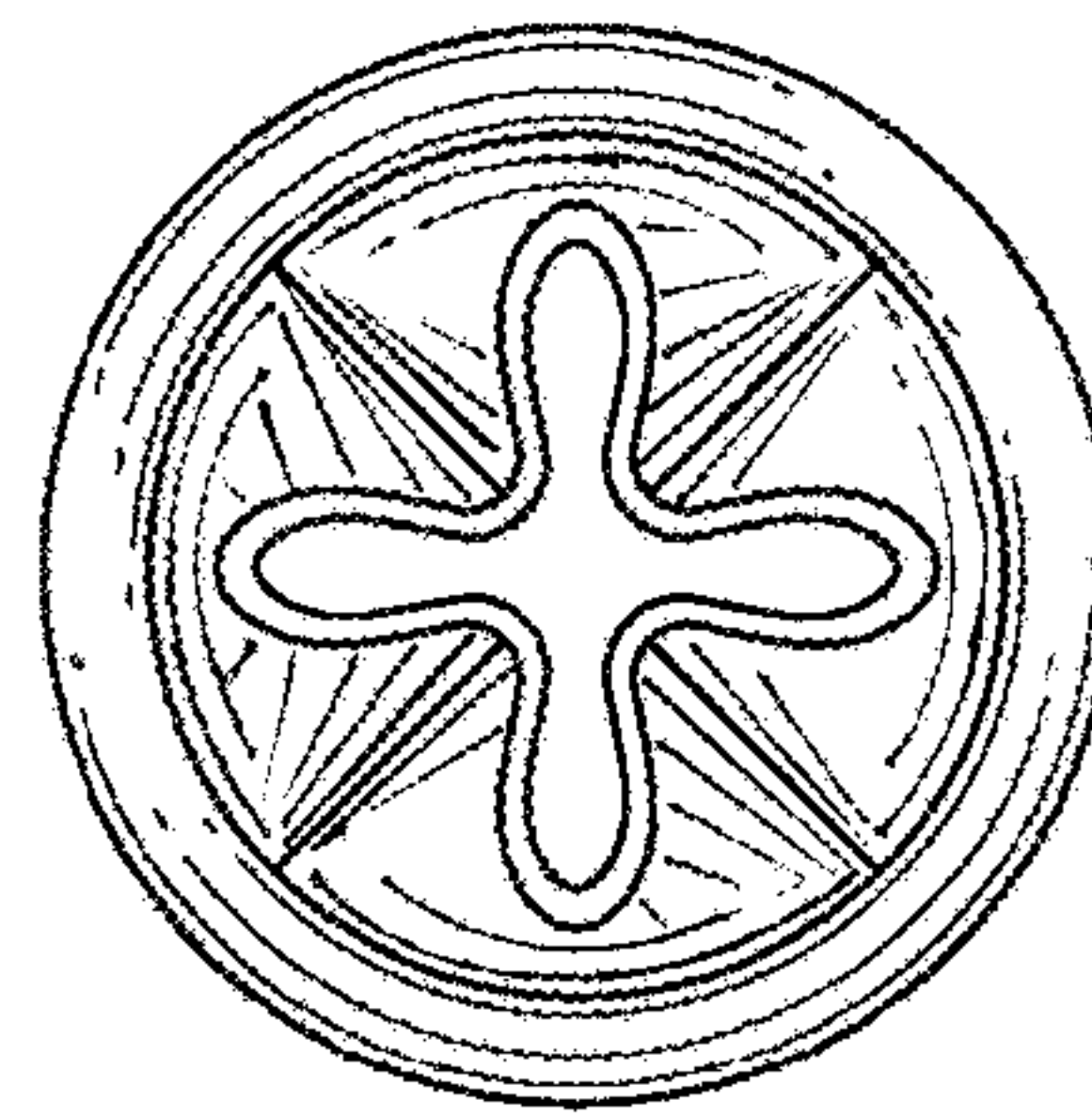


FIG. 13