



US00D850724S

(12) **United States Design Patent**
Luo

(10) **Patent No.:** **US D850,724 S**
(45) **Date of Patent:** **** Jun. 4, 2019**

(54) **FOOT FILE**
(71) Applicant: **Yujian Luo**, Chongqing (CN)
(72) Inventor: **Yujian Luo**, Chongqing (CN)
(**) Term: **15 Years**

D781,498 S * 3/2017 Pel D24/133
D781,499 S * 3/2017 Pel D24/133
D820,522 S * 6/2018 Colin D28/58
D824,596 S * 7/2018 Gobber A45D 29/00
D28/58

(21) Appl. No.: **29/614,757**
(22) Filed: **Aug. 22, 2017**

OTHER PUBLICATIONS

Amope Pedi Perfect Electronic File, www.amazon.com, reviewed as early as Oct. 2015, 1 page.*

* cited by examiner

(30) **Foreign Application Priority Data**

Primary Examiner — Jennifer Rivard

May 26, 2017 (CN) 2017 3 0206040

(51) **LOC (11) Cl.** **28-03**

(57) **CLAIM**

(52) **U.S. Cl.**
USPC **D28/58; D28/59; D24/133**

The ornamental design for a foot file, as shown and described.

(58) **Field of Classification Search**
USPC D28/57–59; D24/133, 146, 211–215
CPC .. A45D 29/00; A45D 29/04–05; A61B 17/54;
A61B 2017/00424
See application file for complete search history.

DESCRIPTION

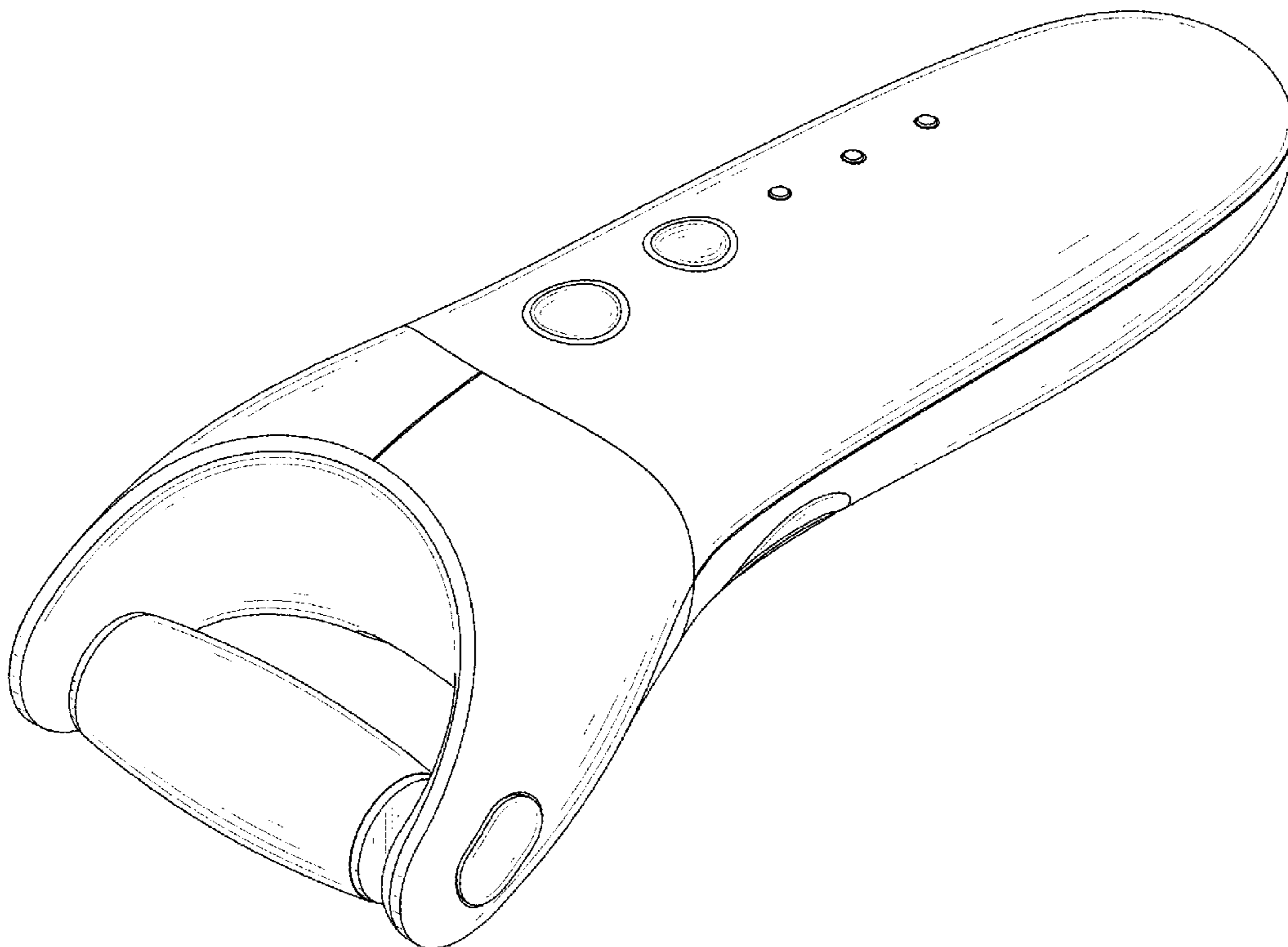
(56) **References Cited**

FIG. 1 is a top perspective view of the foot file showing my new design;
FIG. 2 is a bottom perspective view thereof;
FIG. 3 is a front elevational view thereof;
FIG. 4 is a rear elevational view thereof;
FIG. 5 is a left side elevational view thereof;
FIG. 6 is a right side elevational view thereof;
FIG. 7 is a top plan view thereof; and,
FIG. 8 is a bottom plan view thereof.

U.S. PATENT DOCUMENTS

D692,181 S * 10/2013 Yiu D28/49
D739,080 S * 9/2015 Yiu D28/54
D752,812 S * 3/2016 Sivan D28/58
D759,311 S * 6/2016 Khubani D28/58
D765,914 S * 9/2016 Khubani D24/133
D780,997 S * 3/2017 Leventhal D24/133

1 Claim, 8 Drawing Sheets



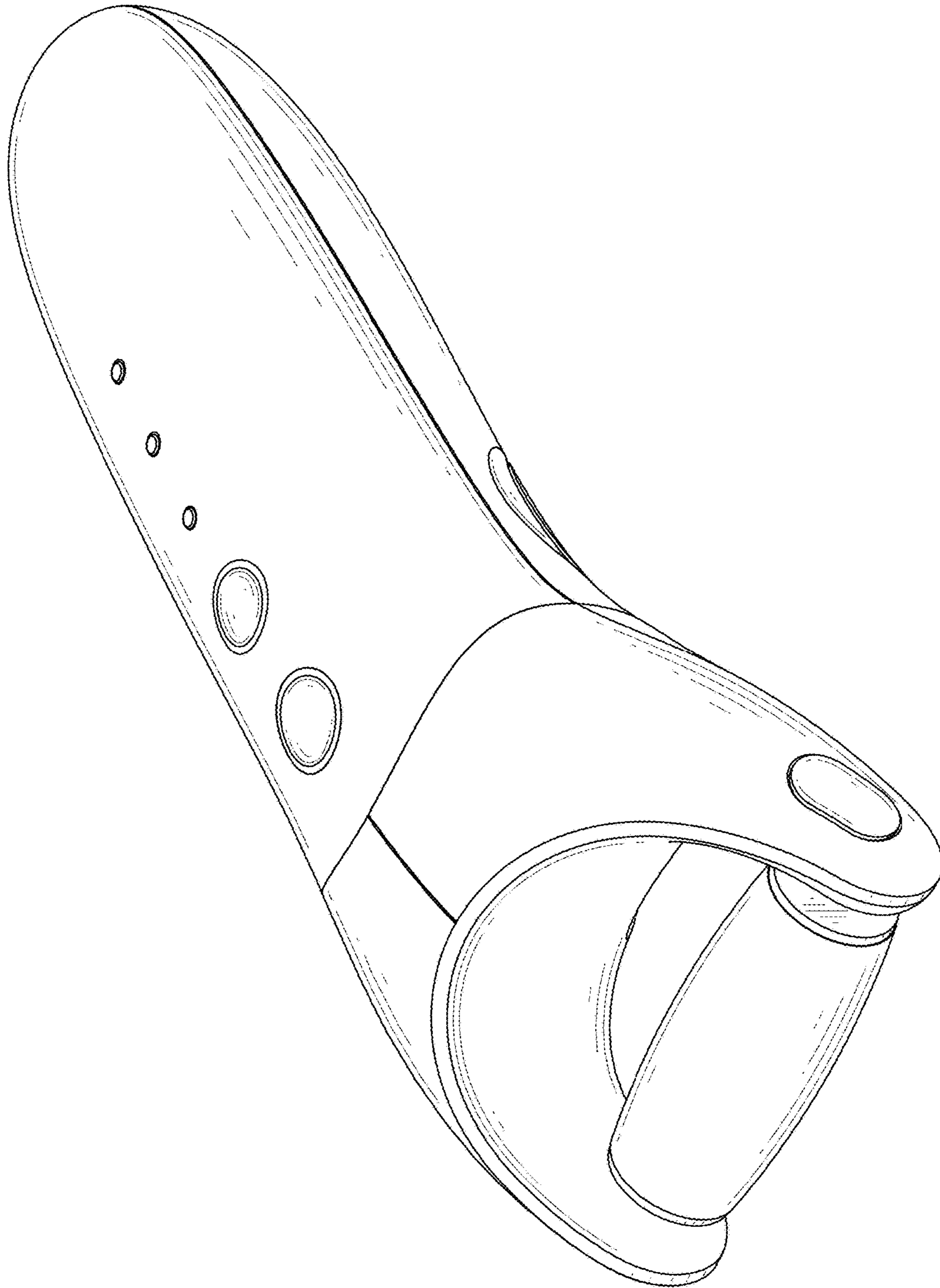


FIG. 1

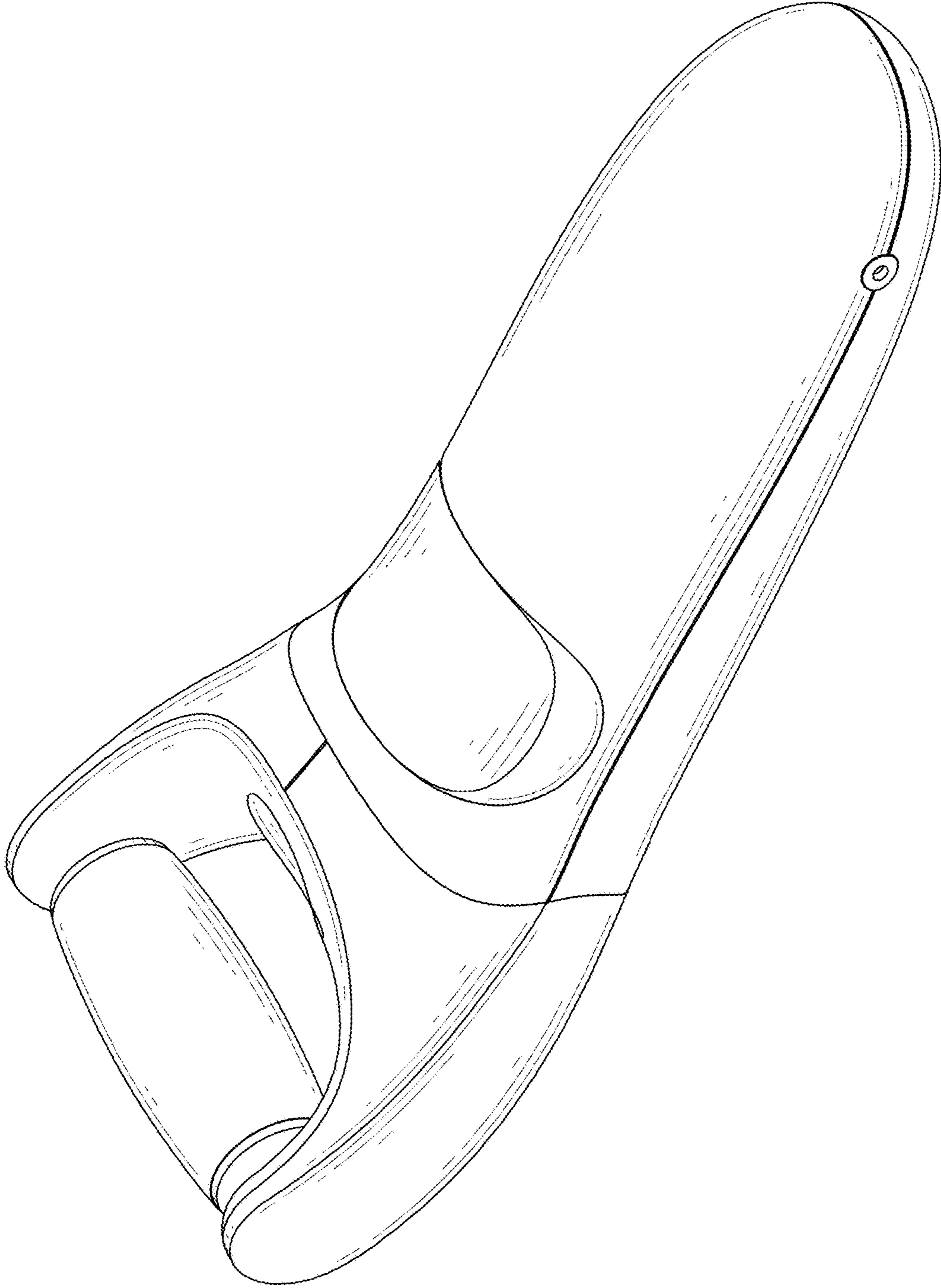


FIG. 2

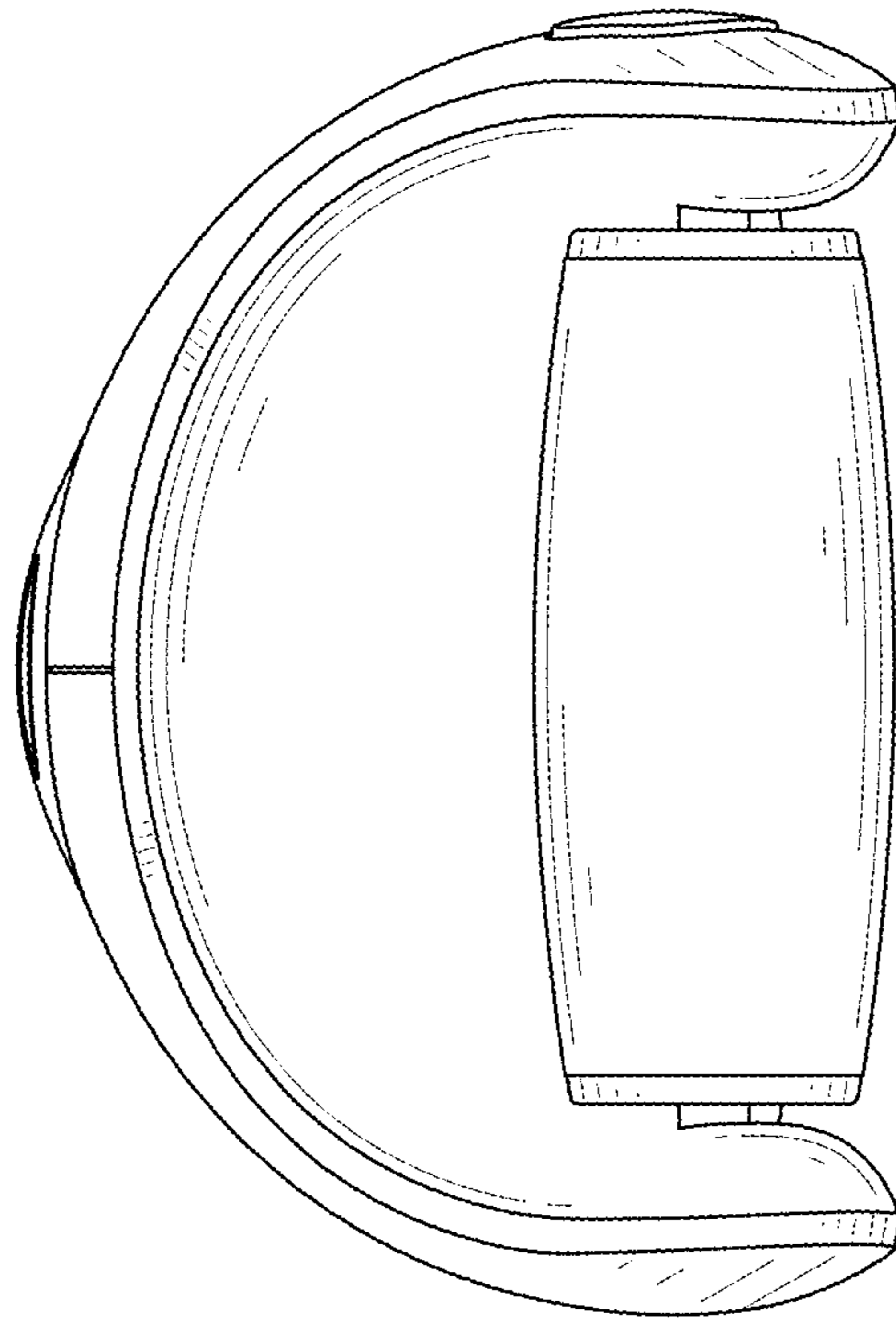


FIG. 3

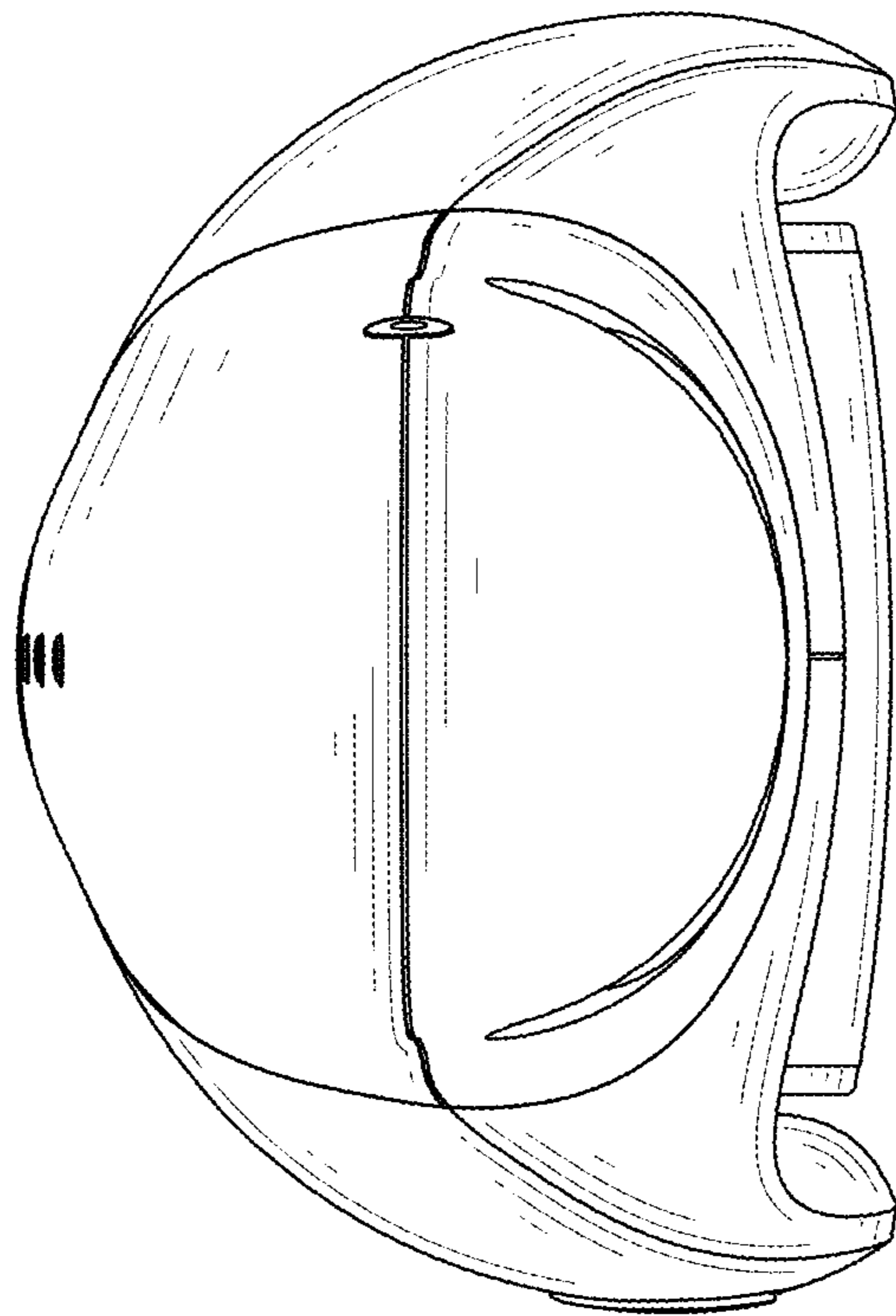


FIG. 4

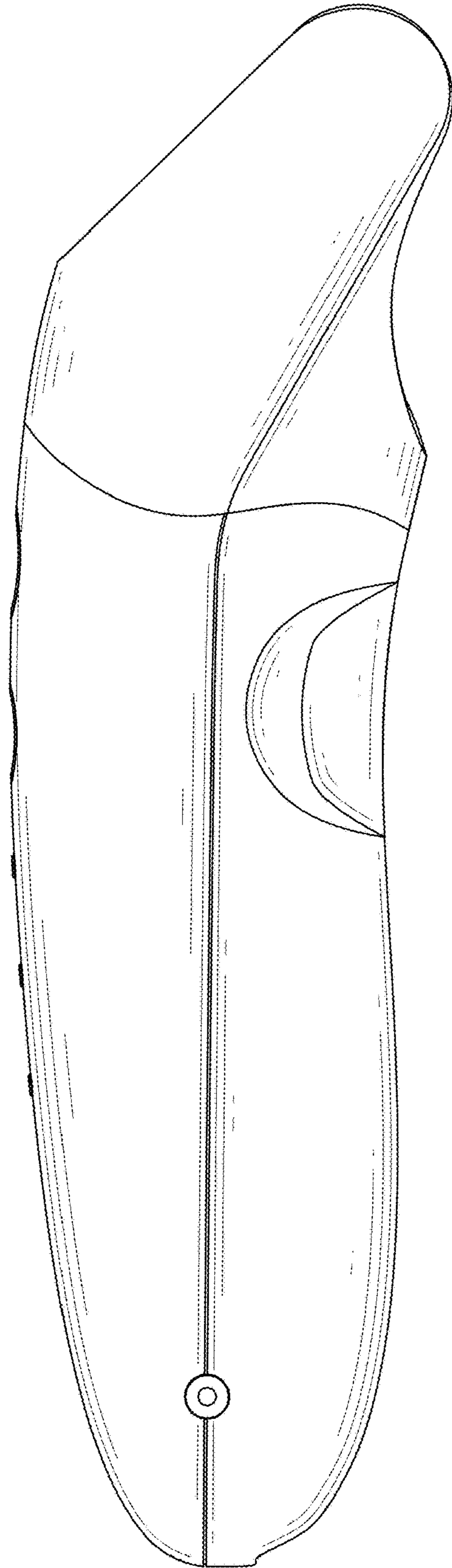


FIG. 5

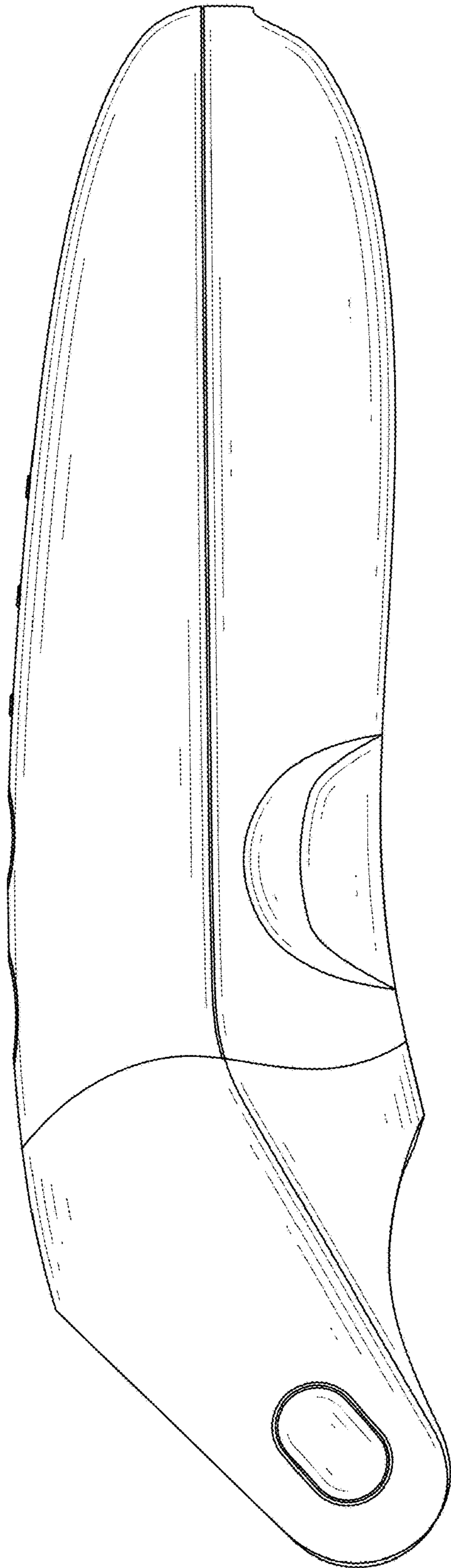


FIG. 6

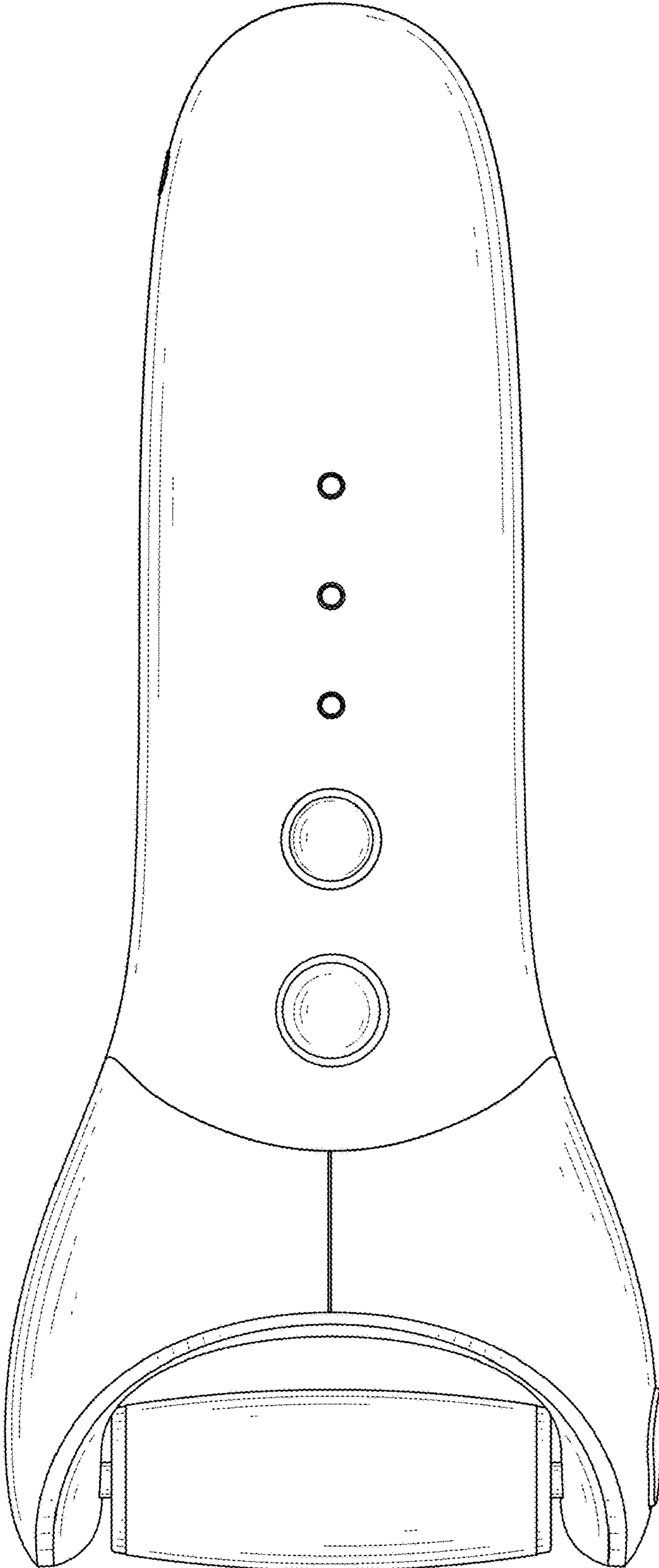


FIG. 7

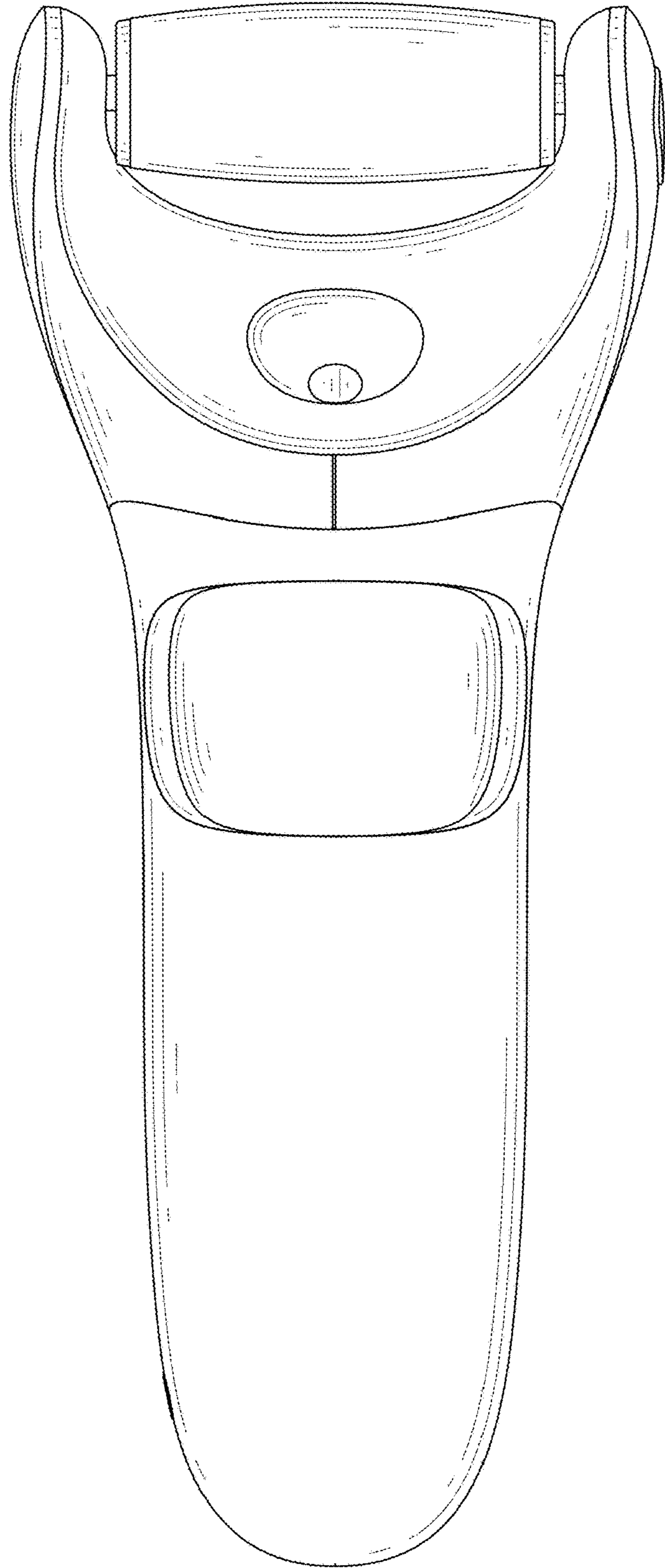


FIG. 8