



US00D850721S

(12) **United States Design Patent**
Liberatore

(10) **Patent No.:** **US D850,721 S**
(45) **Date of Patent:** **** Jun. 4, 2019**

(54) **RAZOR CARTRIDGE**

(71) Applicant: **Mack-Ray, Inc.**, Bentonville, AR (US)

(72) Inventor: **Raymond A. Liberatore**, Bentonville, AR (US)

(73) Assignee: **MACK-RAY, INC.**, Bentonville, AR (US)

(**) Term: **15 Years**

(21) Appl. No.: **29/577,229**

(22) Filed: **Sep. 10, 2016**

Related U.S. Application Data

(63) Continuation-in-part of application No. PCT/US2015/018872, filed on Mar. 5, 2015, and application No. PCT/US2016/015899, Feb. 1, 2016.

(51) **LOC (11) Cl.** **28-03**

(52) **U.S. Cl.**
USPC **D28/47**

(58) **Field of Classification Search**
USPC D28/44, 45-48
(Continued)

(56) **References Cited**

U.S. PATENT DOCUMENTS

5,784,790 A 7/1998 Carson et al.
5,787,586 A 8/1998 Apprille, Jr. et al.
(Continued)

FOREIGN PATENT DOCUMENTS

RU 63734 U1 6/2007
WO 99/04938 A1 2/1999
(Continued)

OTHER PUBLICATIONS

International Search Report with the Written Opinion issued for corresponding International Patent Application No. PCT/US 2015/018872 dated Jun. 4, 2015.

Primary Examiner — Jennifer Rivard

(74) *Attorney, Agent, or Firm* — Myers Wolin, LLC

(57) **CLAIM**

The ornamental design for a razor cartridge, as shown and described.

DESCRIPTION

FIG. 1 is a perspective view taken from the front of an embodiment of a razor cartridge of my new design;

FIG. 2 is a perspective view taken from the rear of the razor cartridge;

FIG. 3 is a front elevation view thereof, the rear elevation view being identical;

FIG. 4 is a top edge view thereof;

FIG. 5 is a bottom edge view thereof;

FIG. 6 is a side elevation thereof;

FIG. 7 is a perspective view taken from the front of an alternate embodiment of a razor cartridge of my new design;

FIG. 8 is a perspective view taken from the rear of the razor cartridge;

FIG. 9 is a front elevation view thereof, the rear elevation view being identical;

FIG. 10 is a top edge view thereof;

FIG. 11 is a bottom edge view thereof;

FIG. 12 is a side elevation thereof;

FIG. 13 is a perspective view taken from the front of an alternate embodiment of a razor cartridge of my new design;

FIG. 14 is a perspective view taken from the rear of the razor cartridge;

FIG. 15 is a front elevation view thereof, the rear elevation view being identical;

FIG. 16 is a top edge view thereof;

FIG. 17 is a bottom edge view thereof;

FIG. 18 is a side elevation thereof;

FIG. 19 is a perspective view taken from the front of an alternate embodiment of a razor cartridge of my new design;

FIG. 20 is a perspective view taken from the rear of the razor cartridge;

FIG. 21 is a front elevation view thereof, the rear elevation view being identical;

FIG. 22 is a top edge view thereof;

FIG. 23 is a bottom edge view thereof; and,

(Continued)

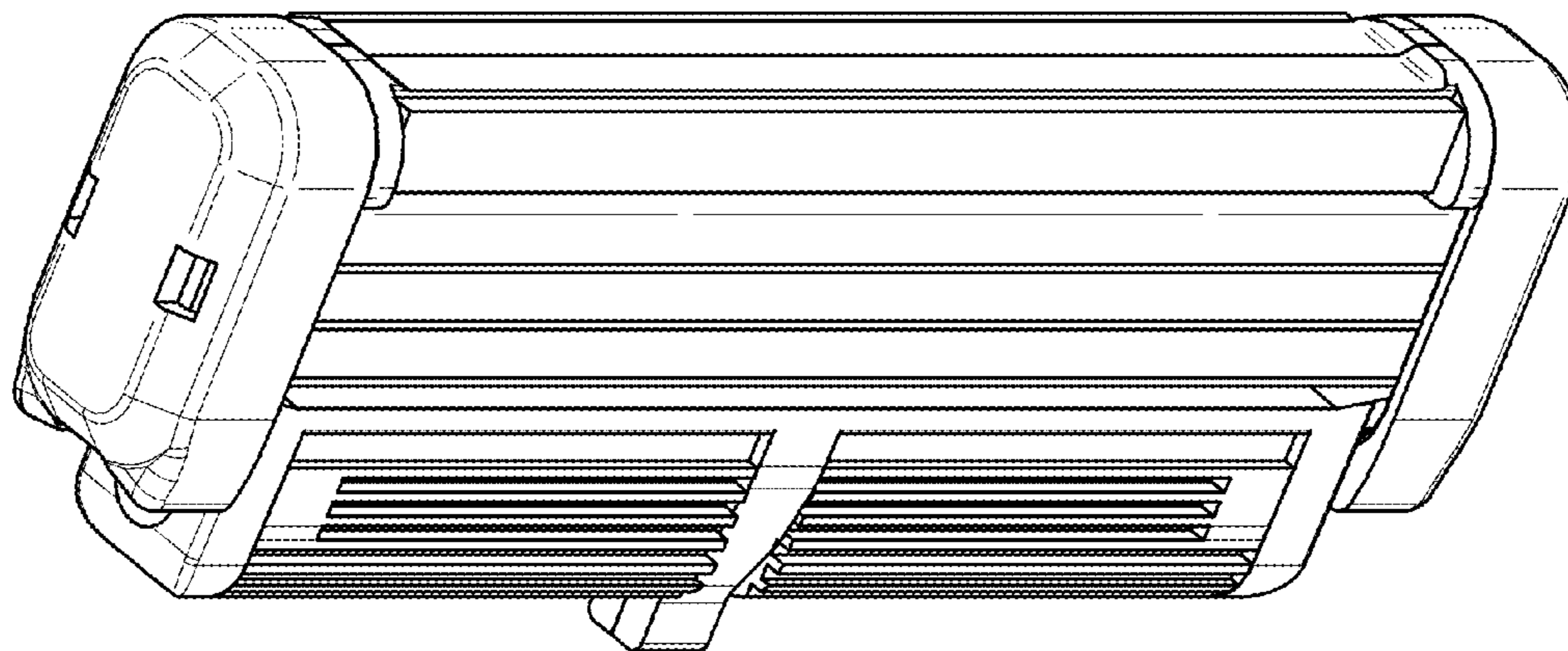


FIG. 24 is a side elevation thereof.
The broken lines shown in the drawings illustrate portions of the razor cartridge and form no part of the claimed design.

1 Claim, 8 Drawing Sheets

(58) **Field of Classification Search**

CPC B26B 21/54–21/60; B26B 21/00–21/06;
B26B 21/08–21/125; B26B 21/14–21/20;
B26B 21/22–21/24; B26B 21/28; B26B
21/30–21/32; B26B 21/34–21/38; B26B
21/40–21/4031; B26B 21/4043; B26B
21/4062; B26B 21/4068–21/4075; B26B
21/44–21/443; B26B 21/52–21/528

See application file for complete search history.

(56) **References Cited**

U.S. PATENT DOCUMENTS

5,813,293	A	9/1998	Apprille, Jr. et al.	
5,855,071	A	1/1999	Apprille, Jr. et al.	
5,918,369	A	7/1999	Apprille, Jr. et al.	
5,956,851	A	9/1999	Apprille, Jr. et al.	
6,026,577	A	2/2000	Ferraro	
6,029,354	A	2/2000	Apprille, Jr. et al.	
6,311,400	B1	11/2001	Hawes et al.	
6,317,990	B1	11/2001	Ferraro	
6,854,188	B1 *	2/2005	Wonderley	B26B 21/225 30/527
7,168,173	B2	1/2007	Worrick, III	
D550,400	S *	9/2007	Orloff	D28/47
D563,044	S *	2/2008	Ramm	D28/47
7,690,122	B2	4/2010	Worrick, III et al.	
D616,147	S *	5/2010	Adams	D28/46
7,770,294	B2	8/2010	Bruno et al.	
D630,378	S *	1/2011	Jung	D28/47
D631,198	S *	1/2011	Adams	D28/47

7,882,610	B2 *	2/2011	Gratsias	B26B 21/222 29/524.1
D638,580	S *	5/2011	Adams	D28/46
D640,415	S *	6/2011	Wonderley	D28/47
D653,395	S *	1/2012	Adams	D28/47
D659,287	S *	5/2012	Psimadas	D28/48
D698,998	S *	2/2014	Lukan	D28/46
D698,999	S *	2/2014	Otsuka	D28/47
D699,892	S *	2/2014	Wonderley	D28/47
8,726,518	B2 *	5/2014	Bruno	B26B 21/222 30/34.2
D741,008	S *	10/2015	Bruno	D28/47
D741,546	S *	10/2015	Witkus	D28/47
D744,165	S *	11/2015	Tucker	D28/47
D749,265	S *	2/2016	Cataudella	D28/47
D764,100	S *	8/2016	Park	D28/47
D764,101	S *	8/2016	Cataudella	D28/47
D772,484	S *	11/2016	Otsuka	D28/47
D776,875	S *	1/2017	Ren	D28/47
D778,498	S *	2/2017	Petratou	D28/47
2007/0180700	A9 *	8/2007	Sandor	A61K 8/361 30/41
2012/0124840	A1 *	5/2012	Iaccarino	B26B 21/225 30/50
2012/0151772	A1 *	6/2012	Moon	B26B 21/225 30/41
2015/0158191	A1 *	6/2015	Jeong	B26B 21/4018 30/41
2017/0021513	A1 *	1/2017	Liberatore	B26B 21/225
2017/0028577	A1 *	2/2017	Ntavos	B26B 21/4012
2017/0151684	A1 *	6/2017	Bozikis	B26B 21/227
2017/0217033	A1 *	8/2017	Tucker	B26B 21/4031
2017/0326744	A1 *	11/2017	Liberatore	B26B 21/521
2017/0341247	A1 *	11/2017	Zafiroopoulos	B26B 21/4012
2017/0348866	A1 *	12/2017	Psimadas	B26B 21/4043

FOREIGN PATENT DOCUMENTS

WO	2012/028413	A1	3/2012	
WO	2012/172381	A1	12/2012	
WO	WO-2016123599	A1 *	8/2016 B26B 21/225

* cited by examiner

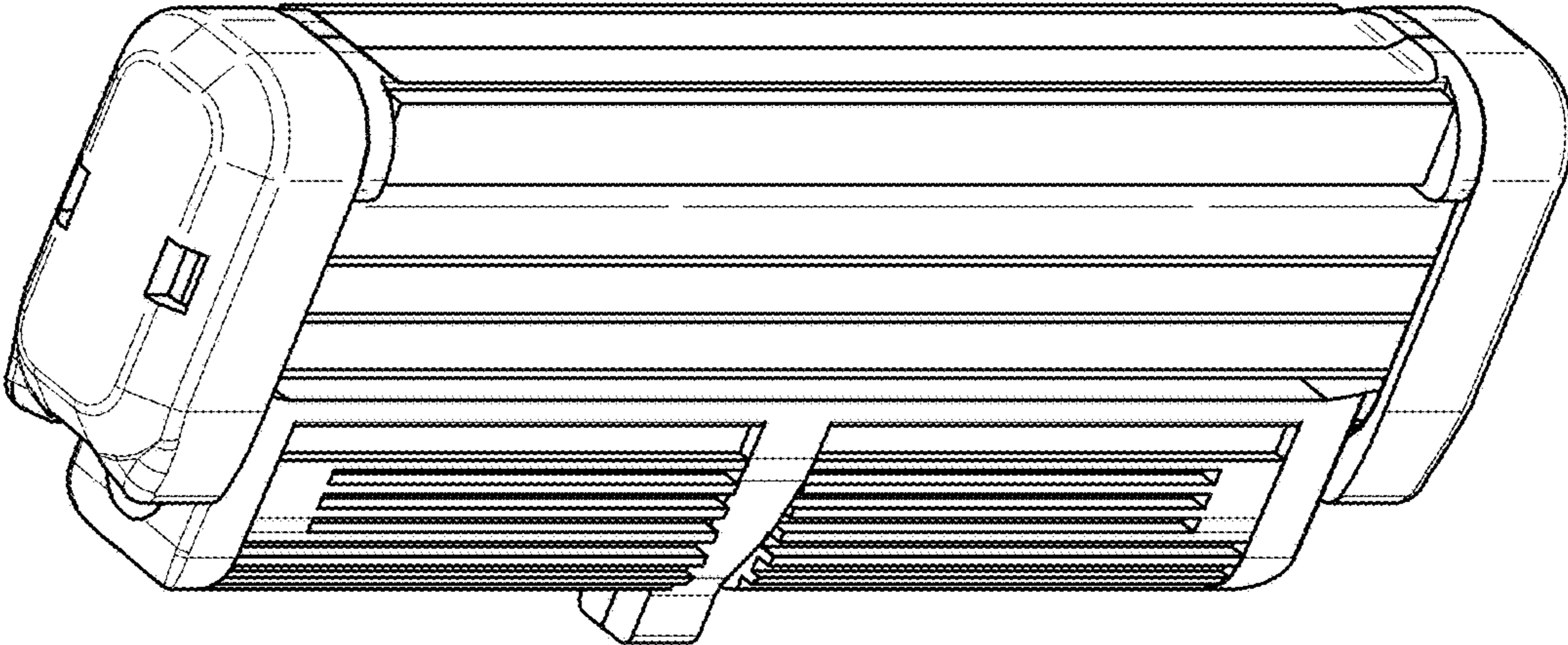


FIG. 1

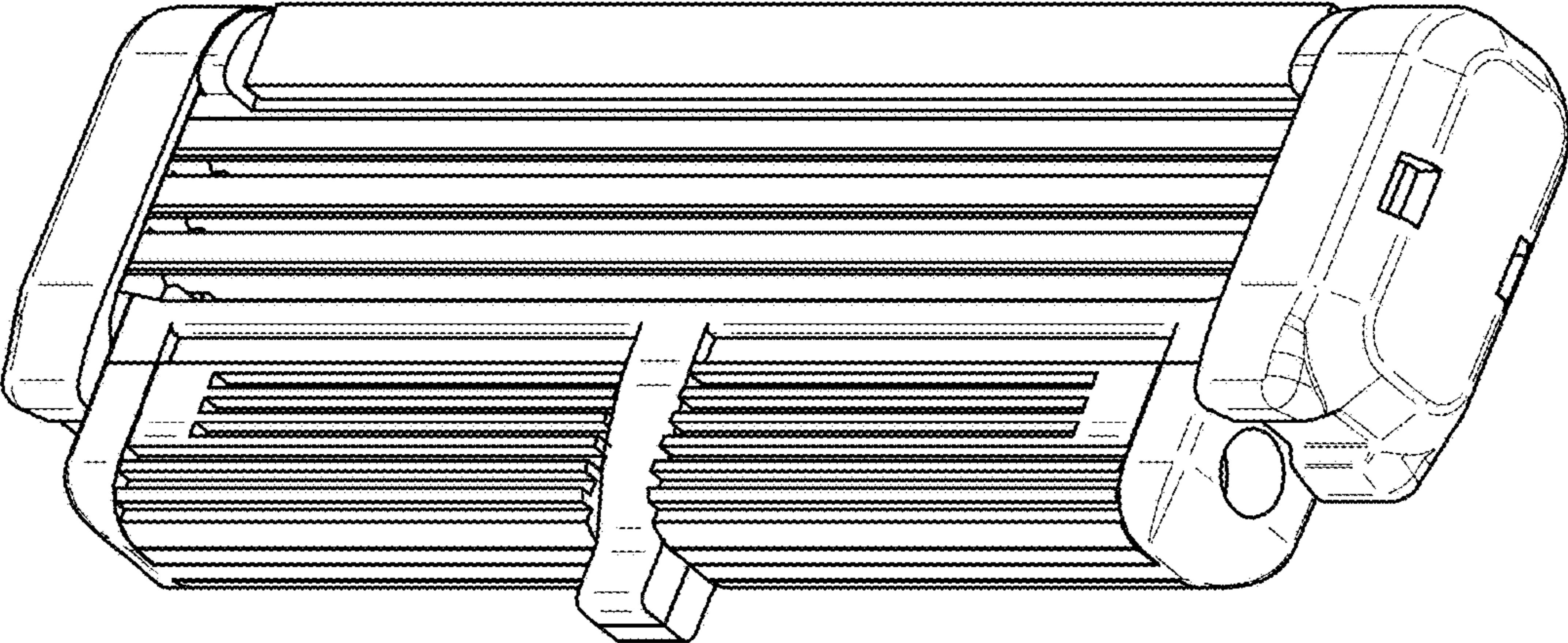


FIG. 2

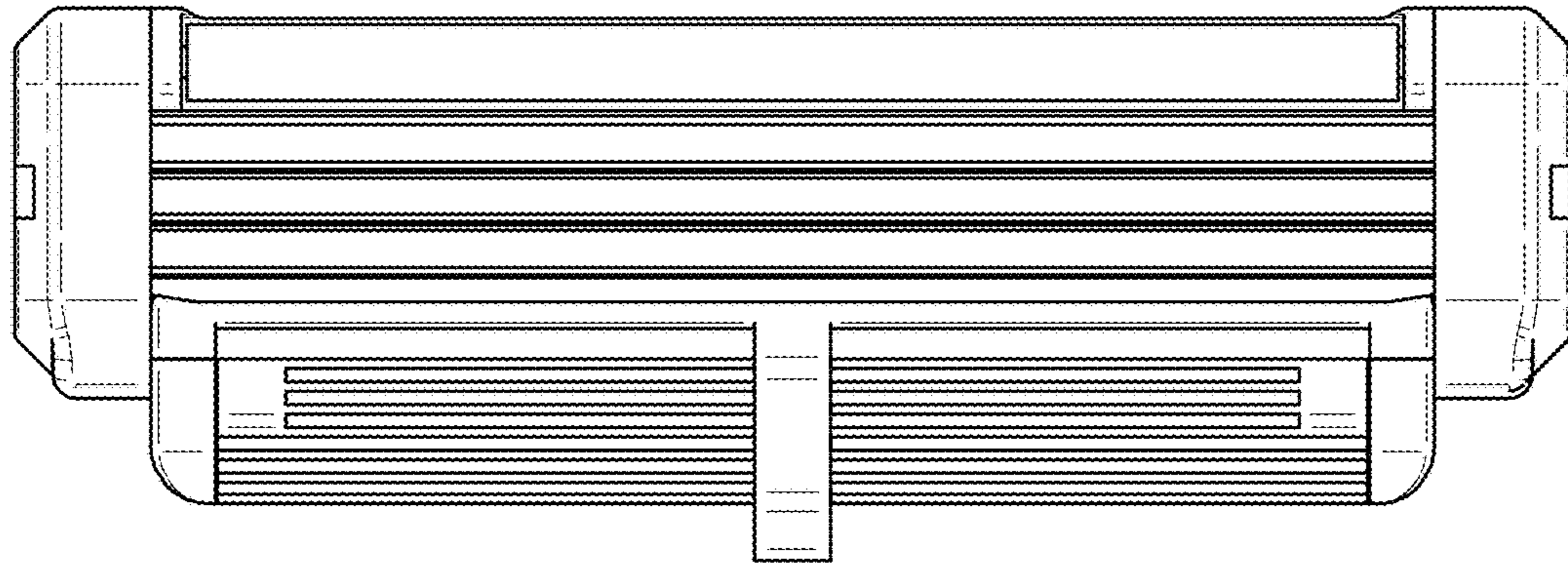


FIG. 3

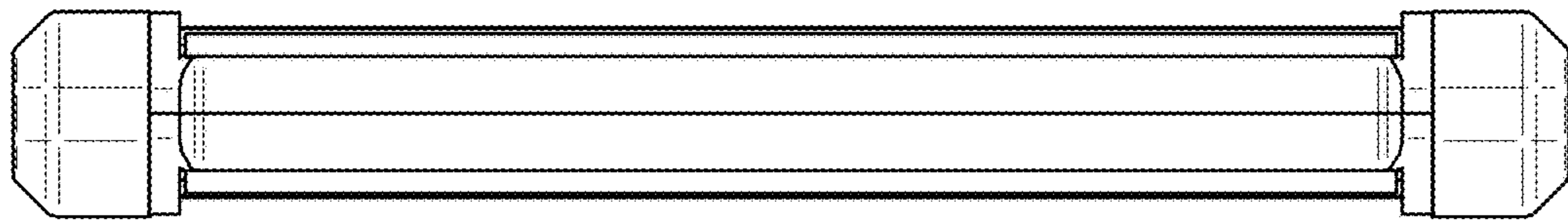


FIG. 4

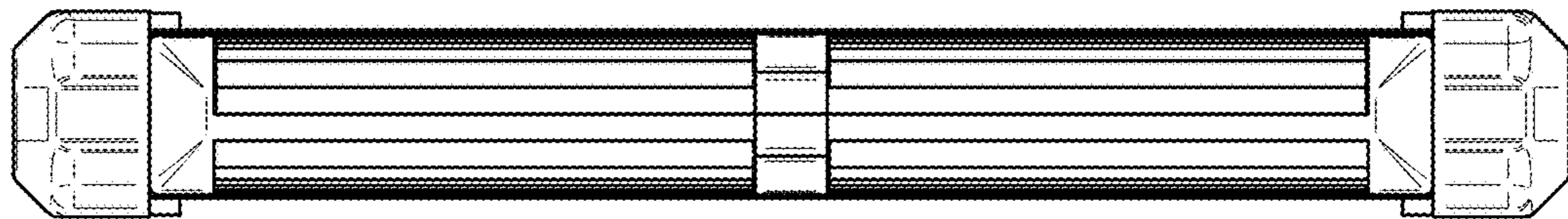


FIG. 5

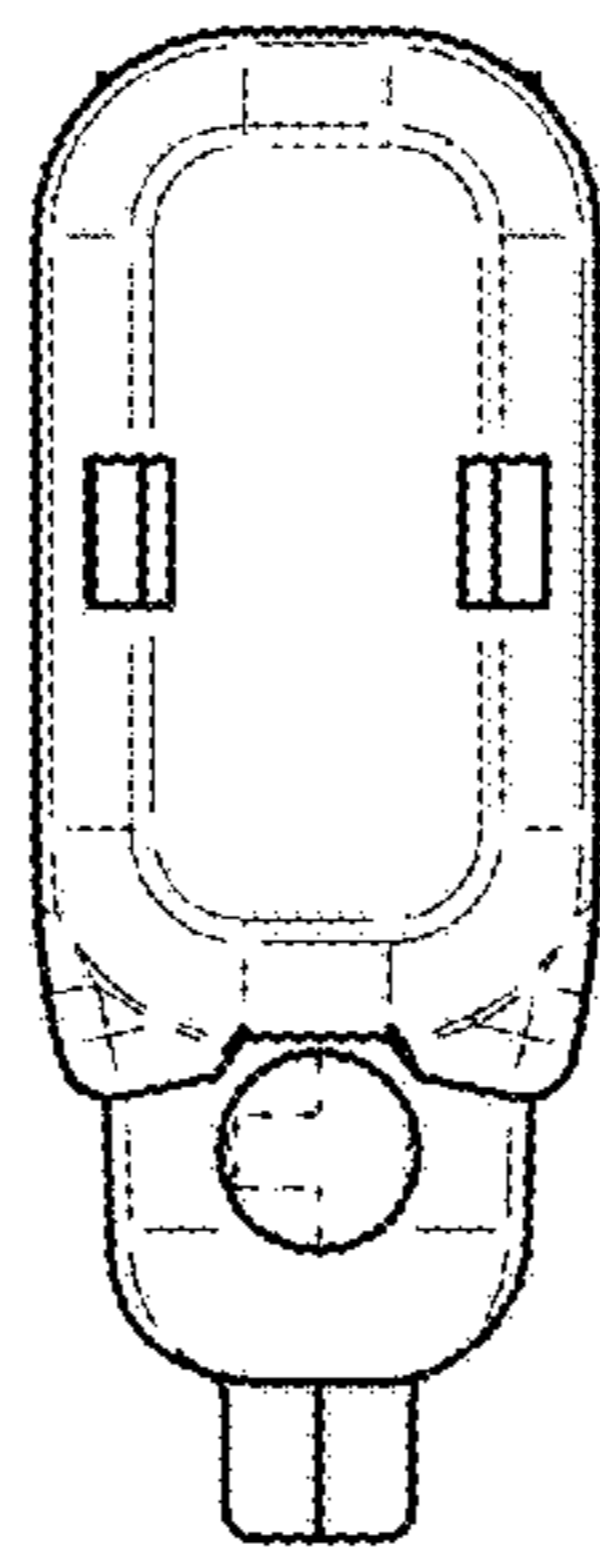


FIG. 6

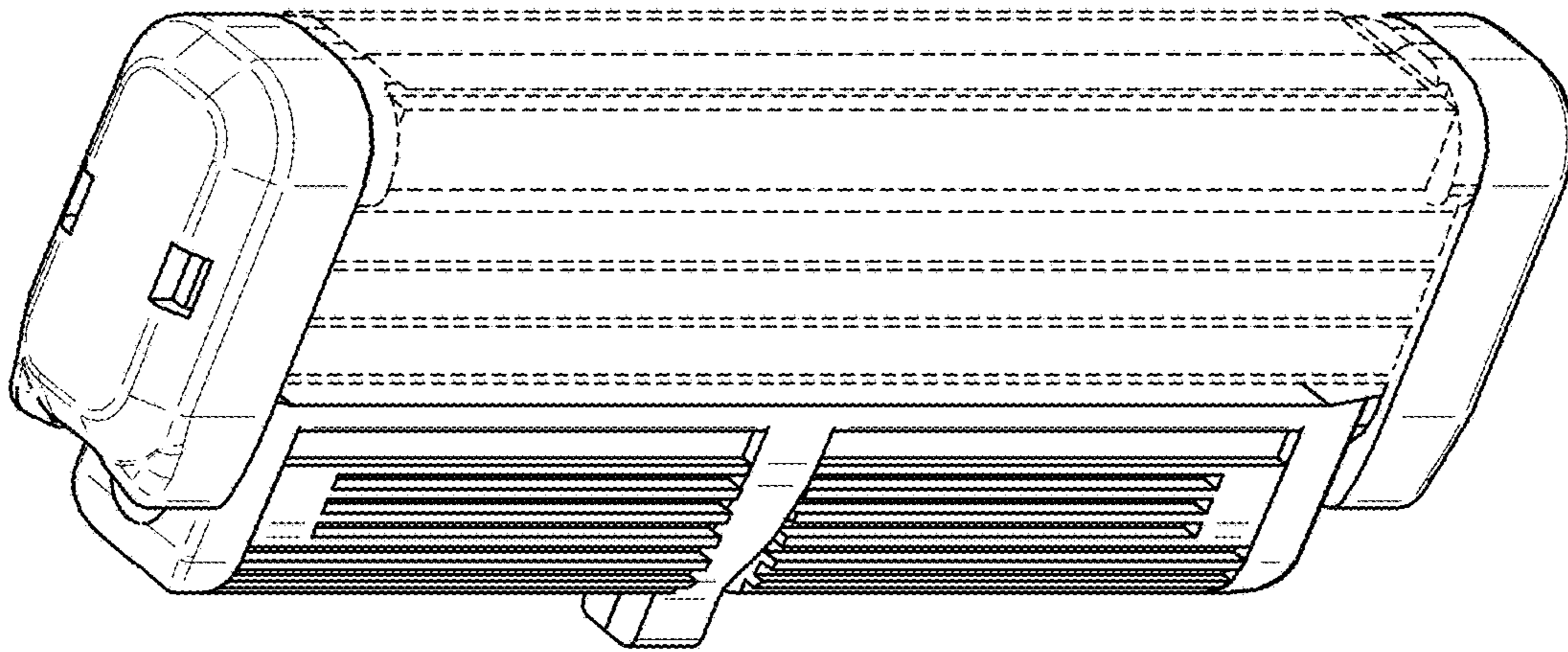


FIG. 7

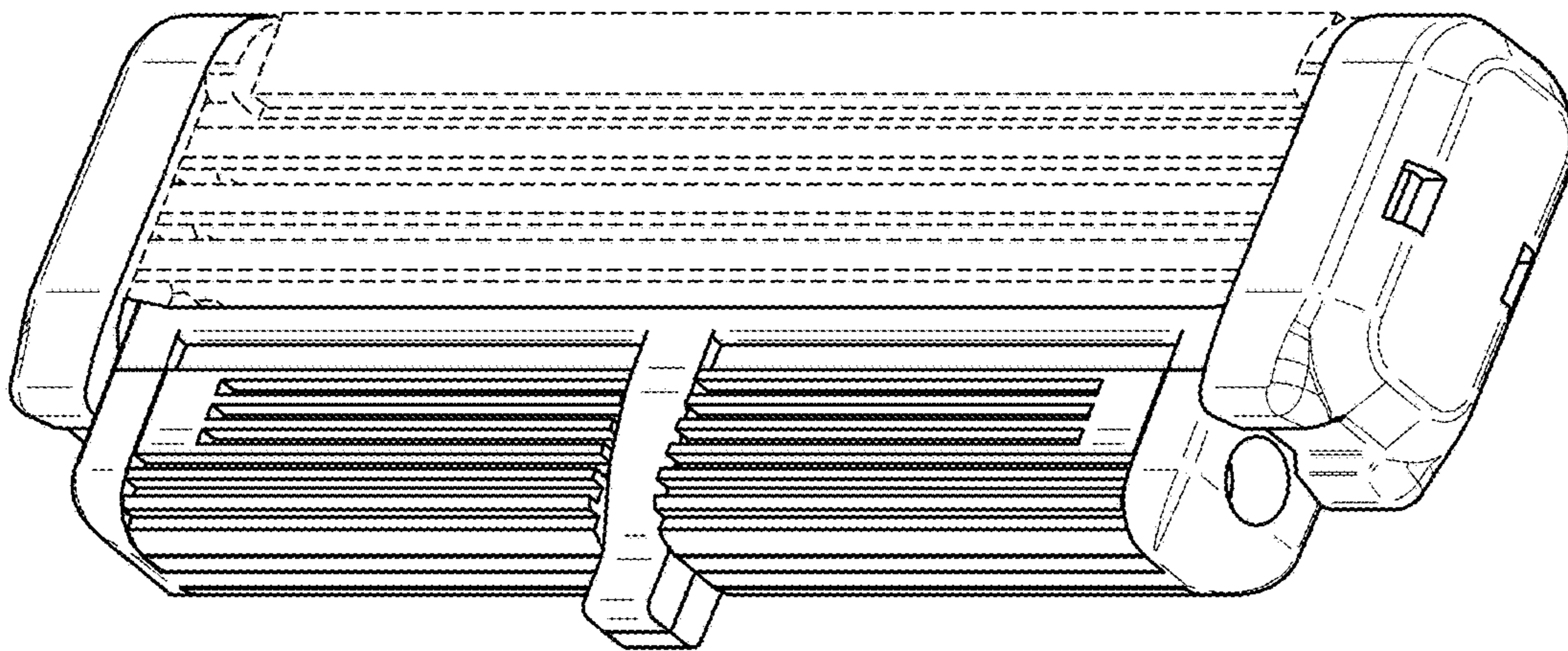


FIG. 8

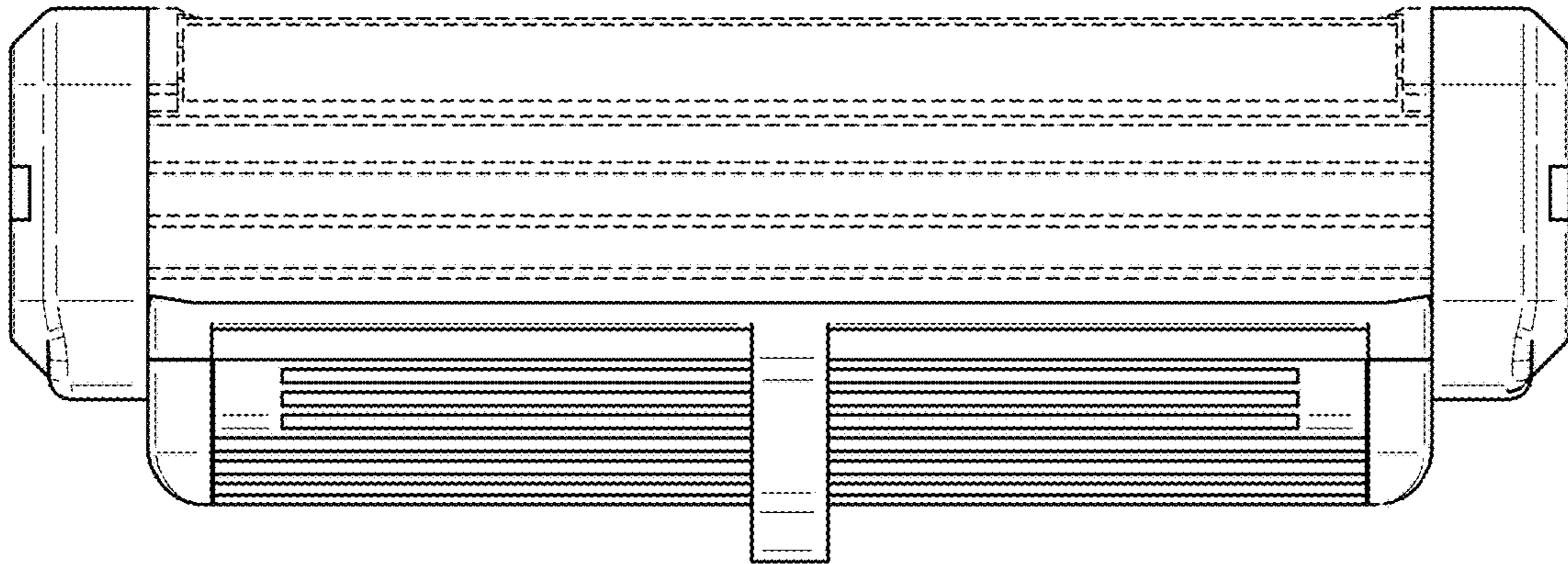


FIG. 9

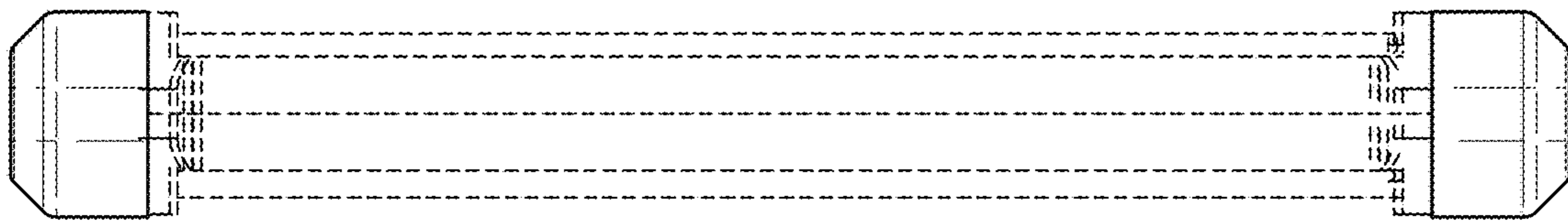


FIG. 10

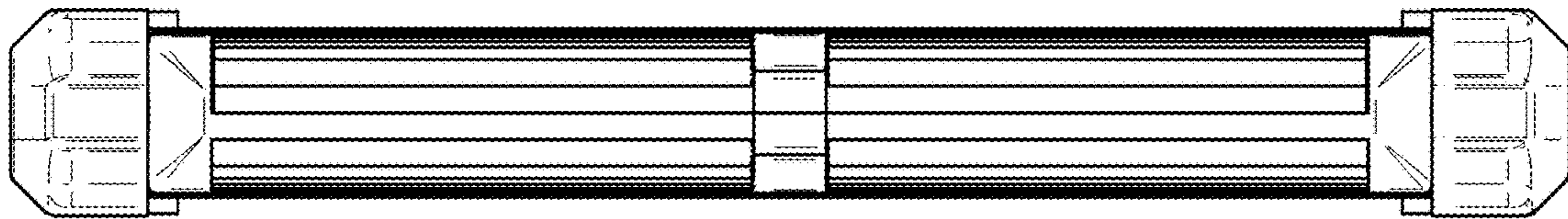


FIG. 11

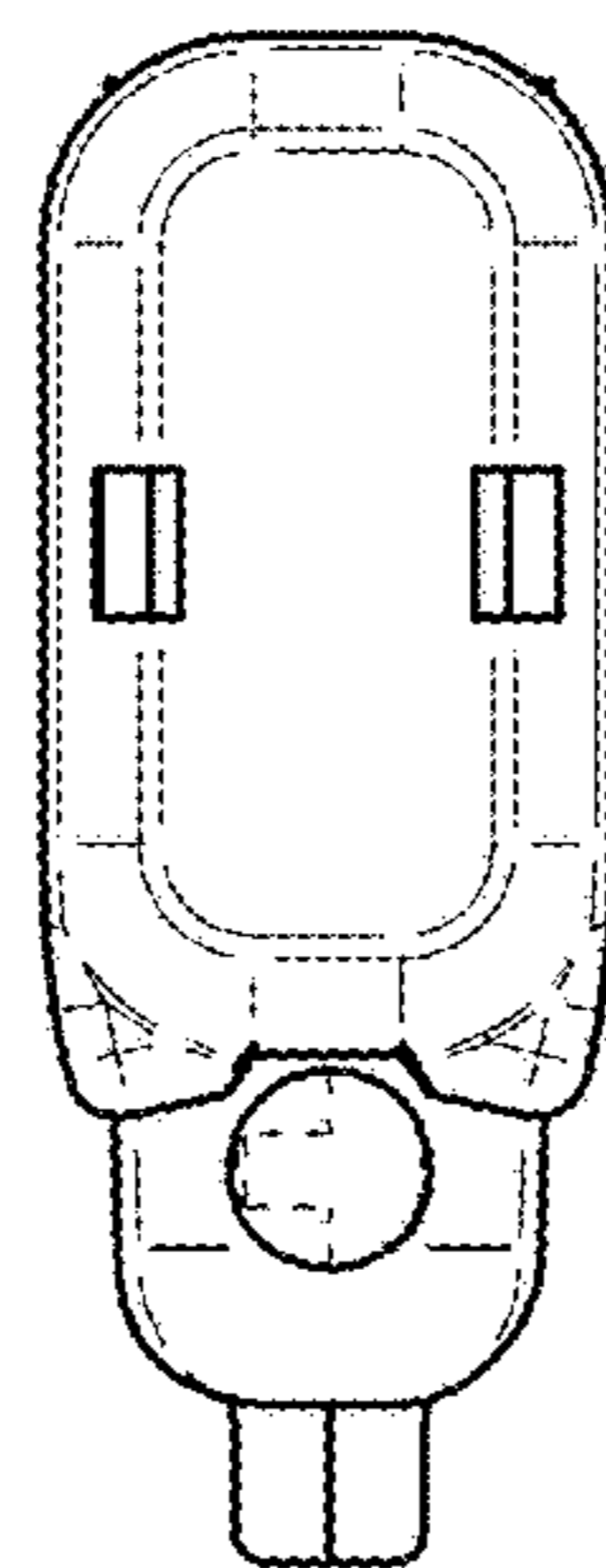


FIG. 12

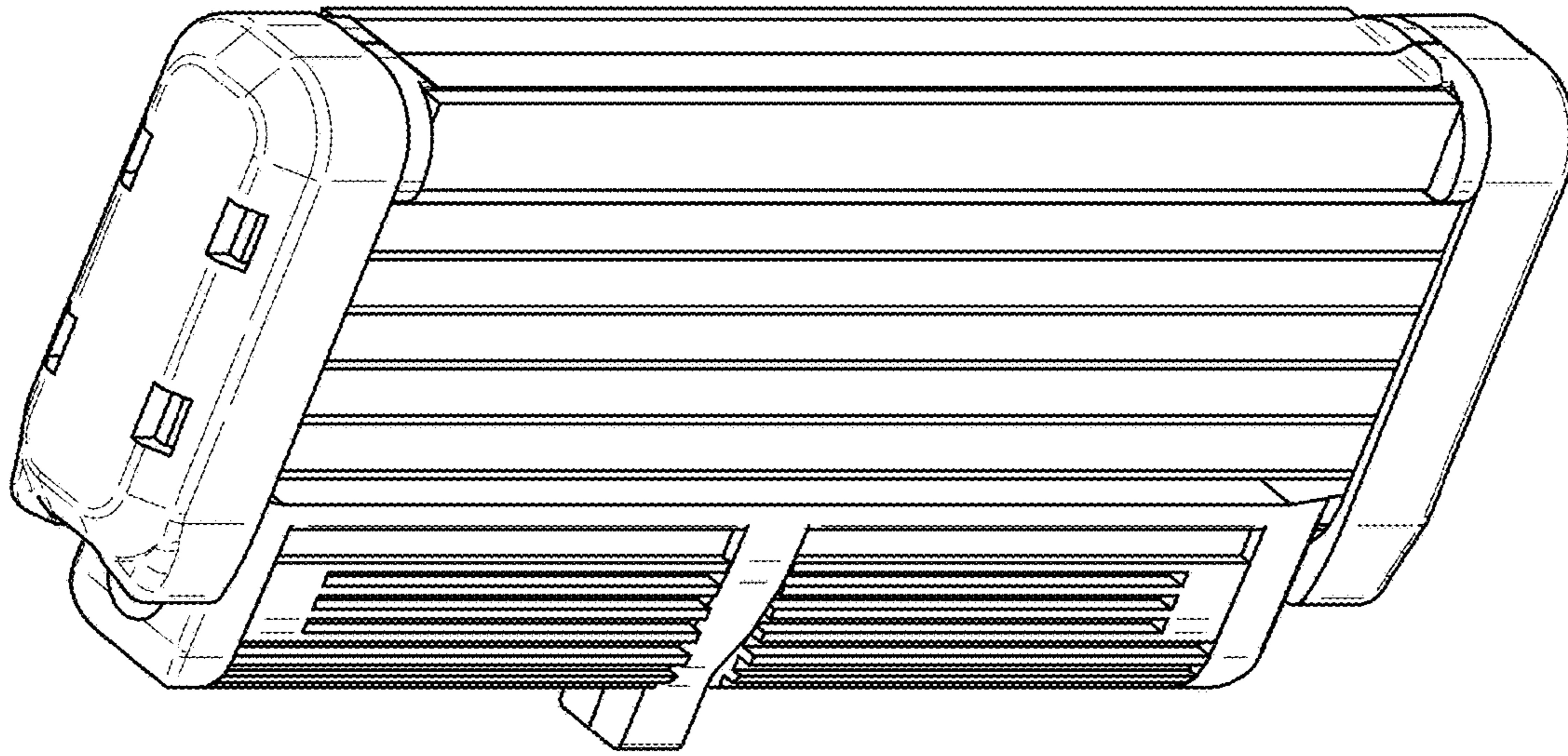


FIG. 13

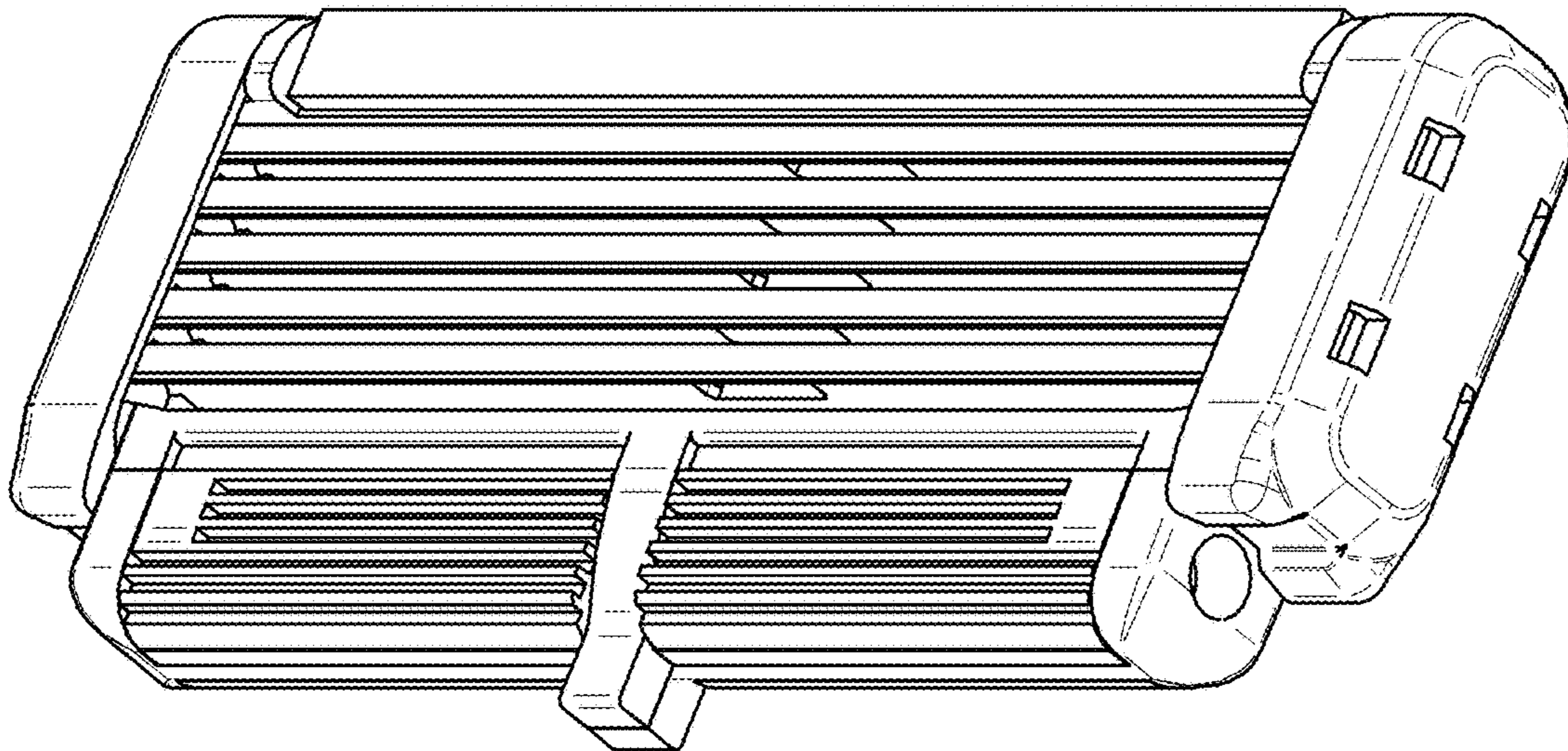


FIG. 14

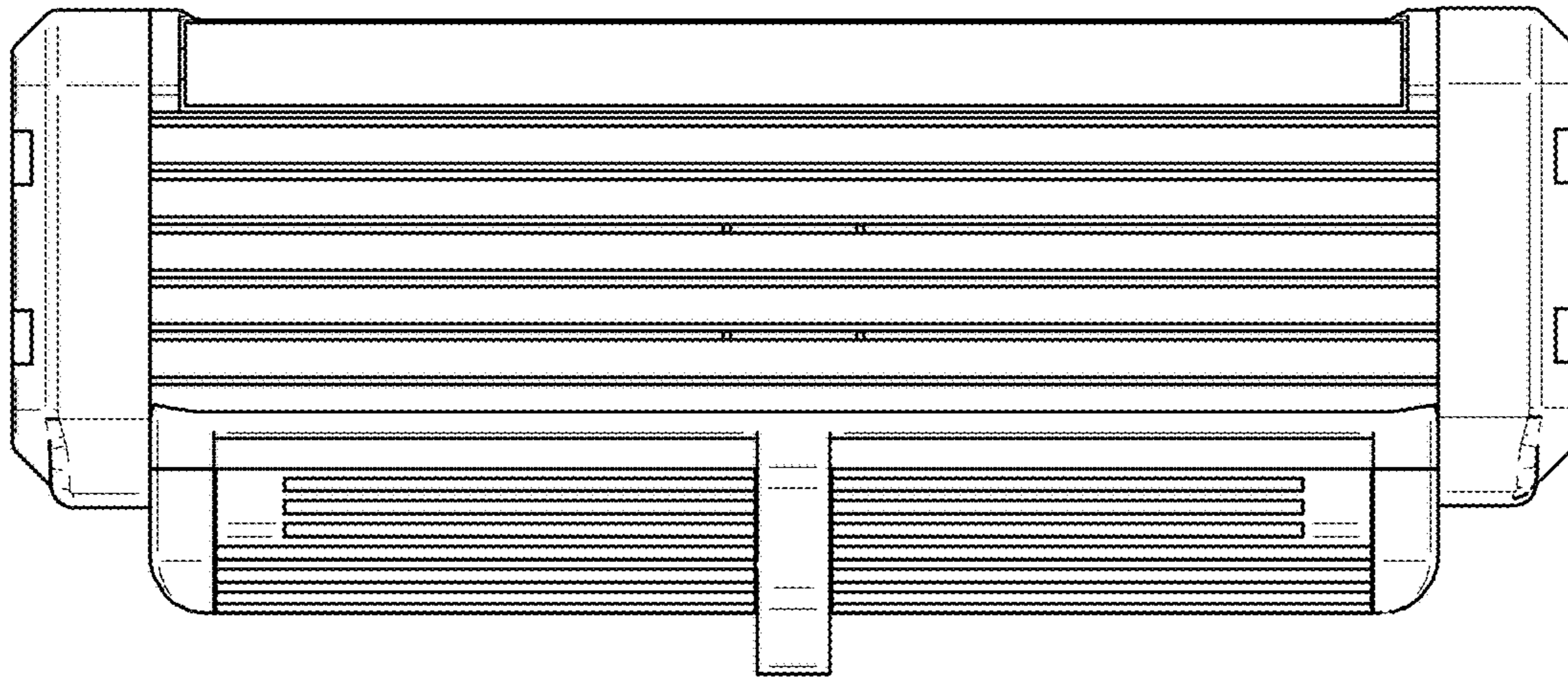


FIG. 15

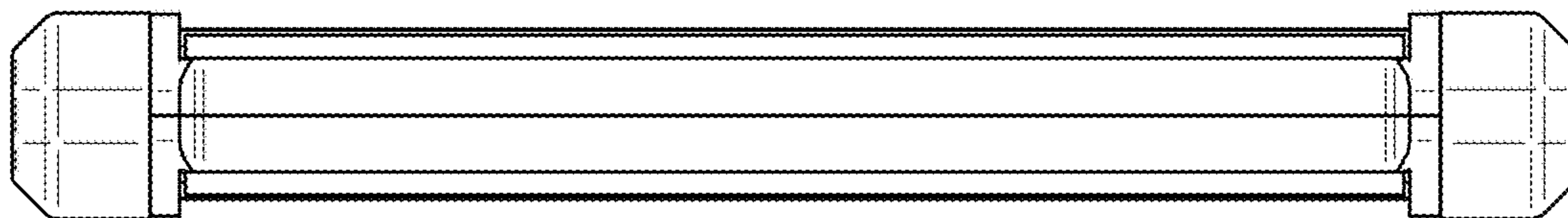


FIG. 16

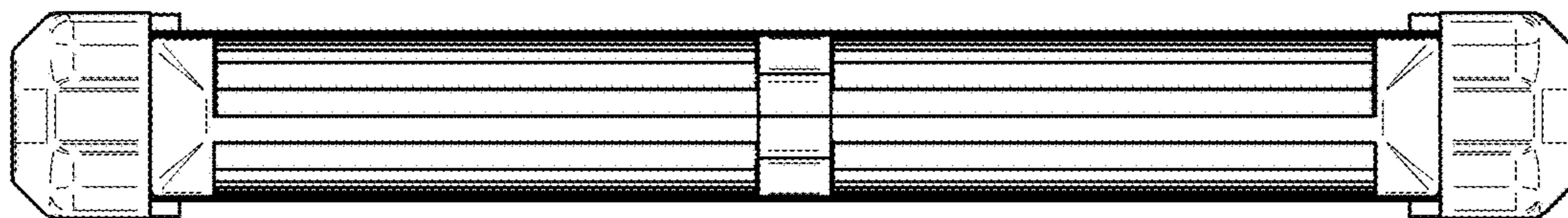


FIG. 17

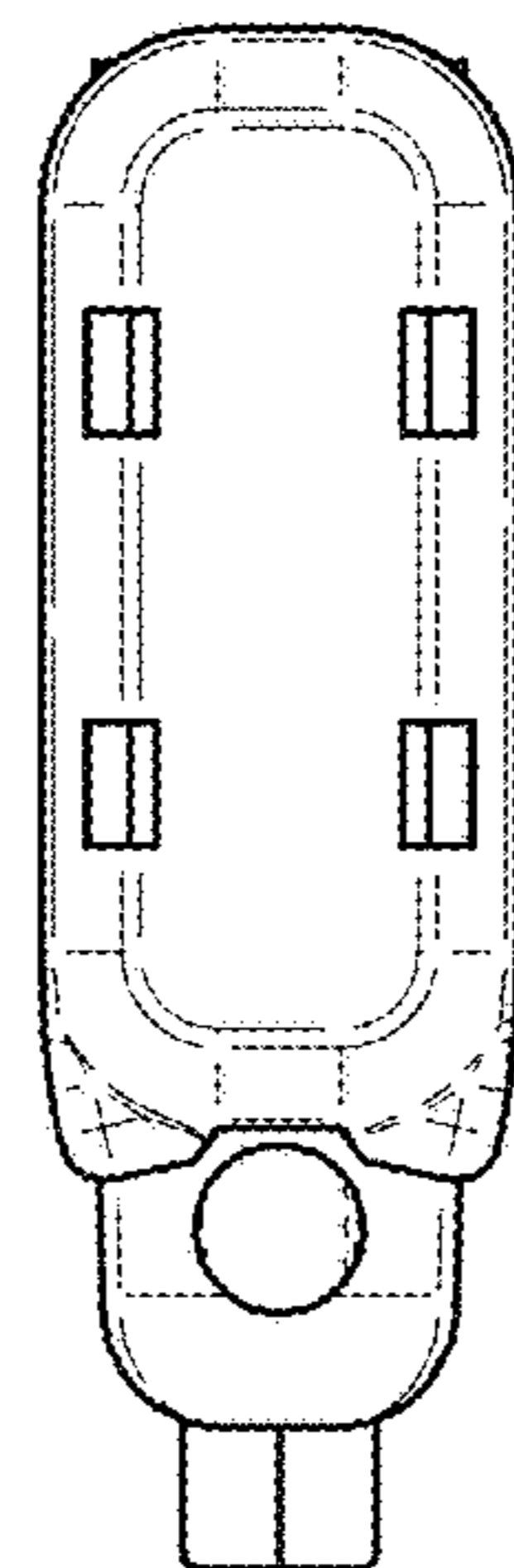


FIG. 18

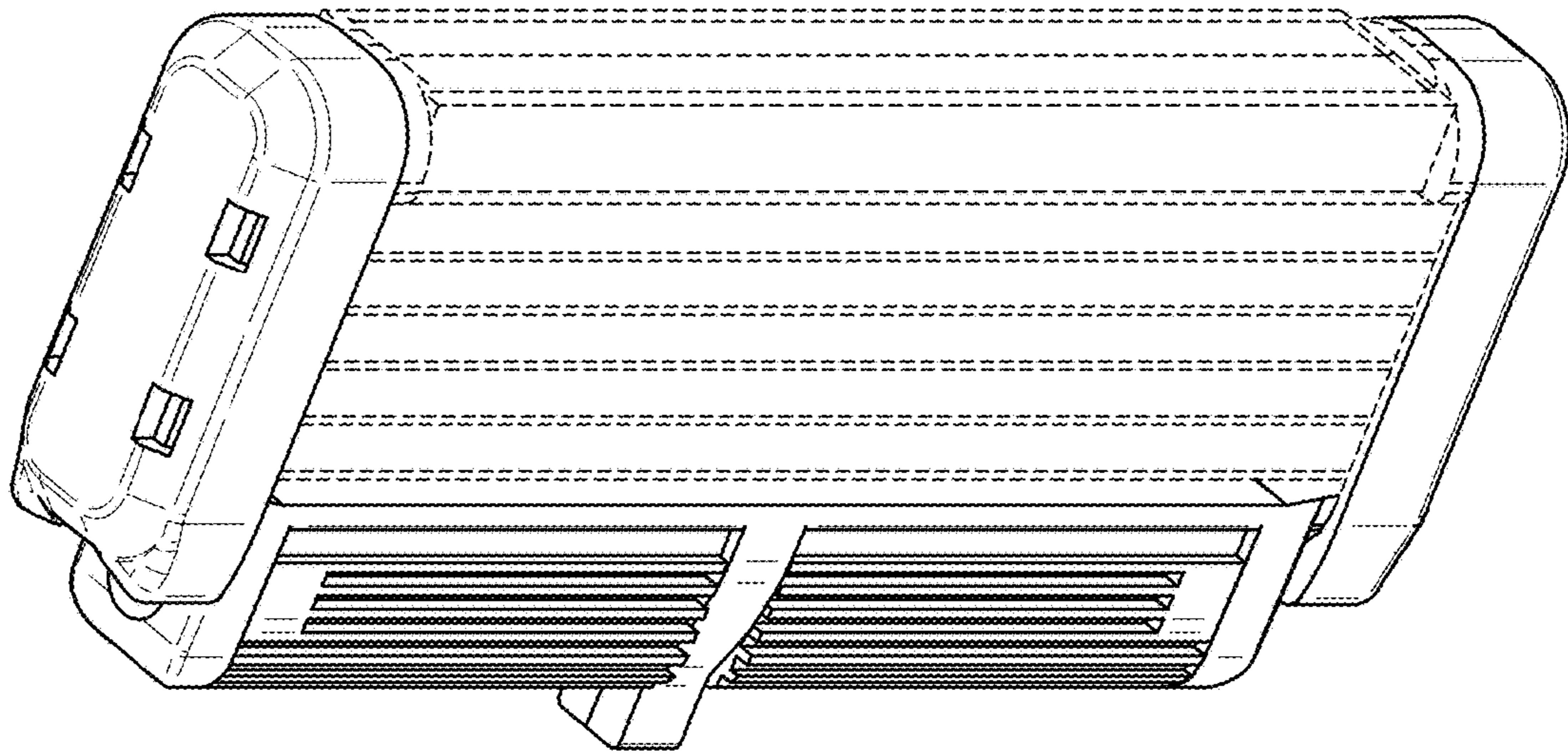


FIG. 19

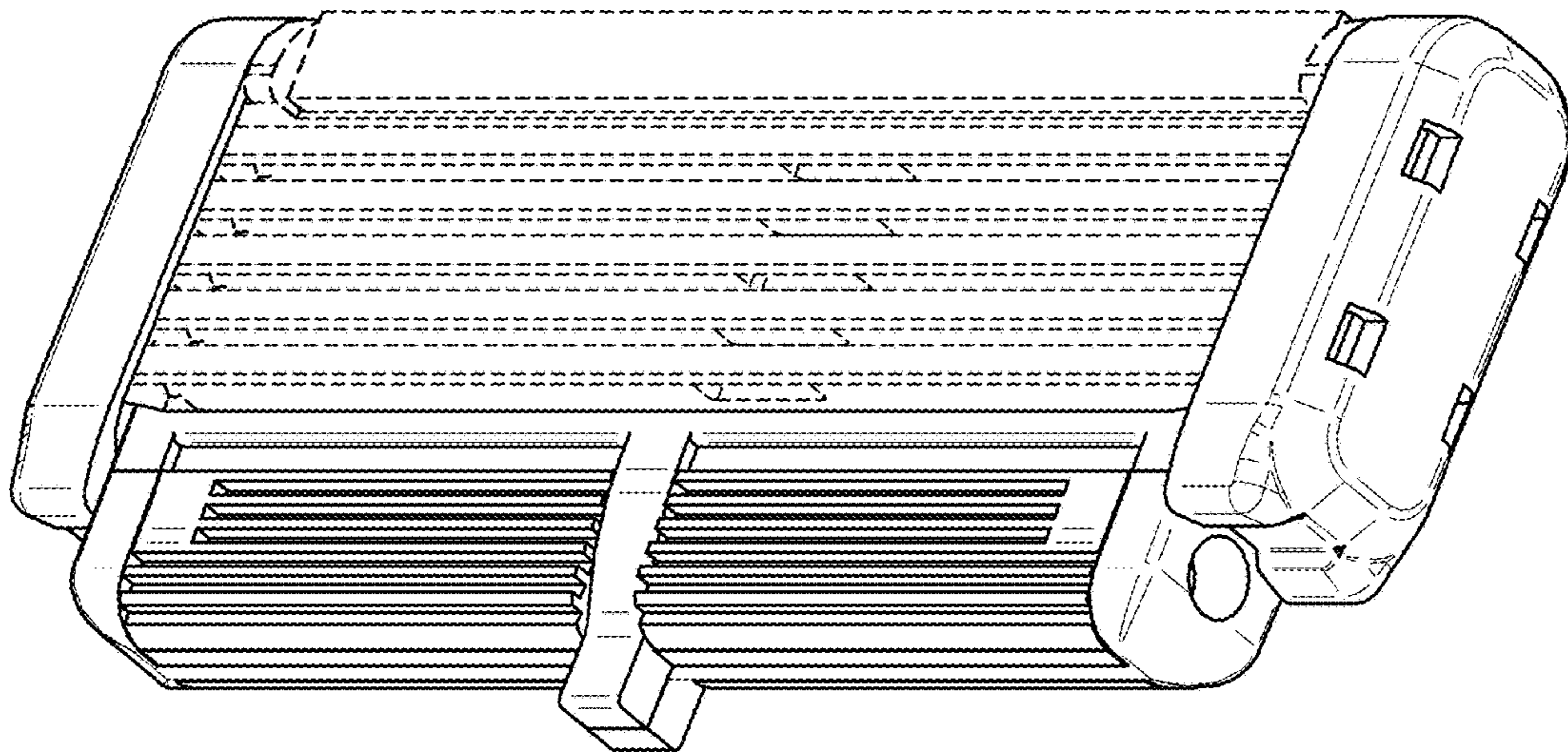


FIG. 20

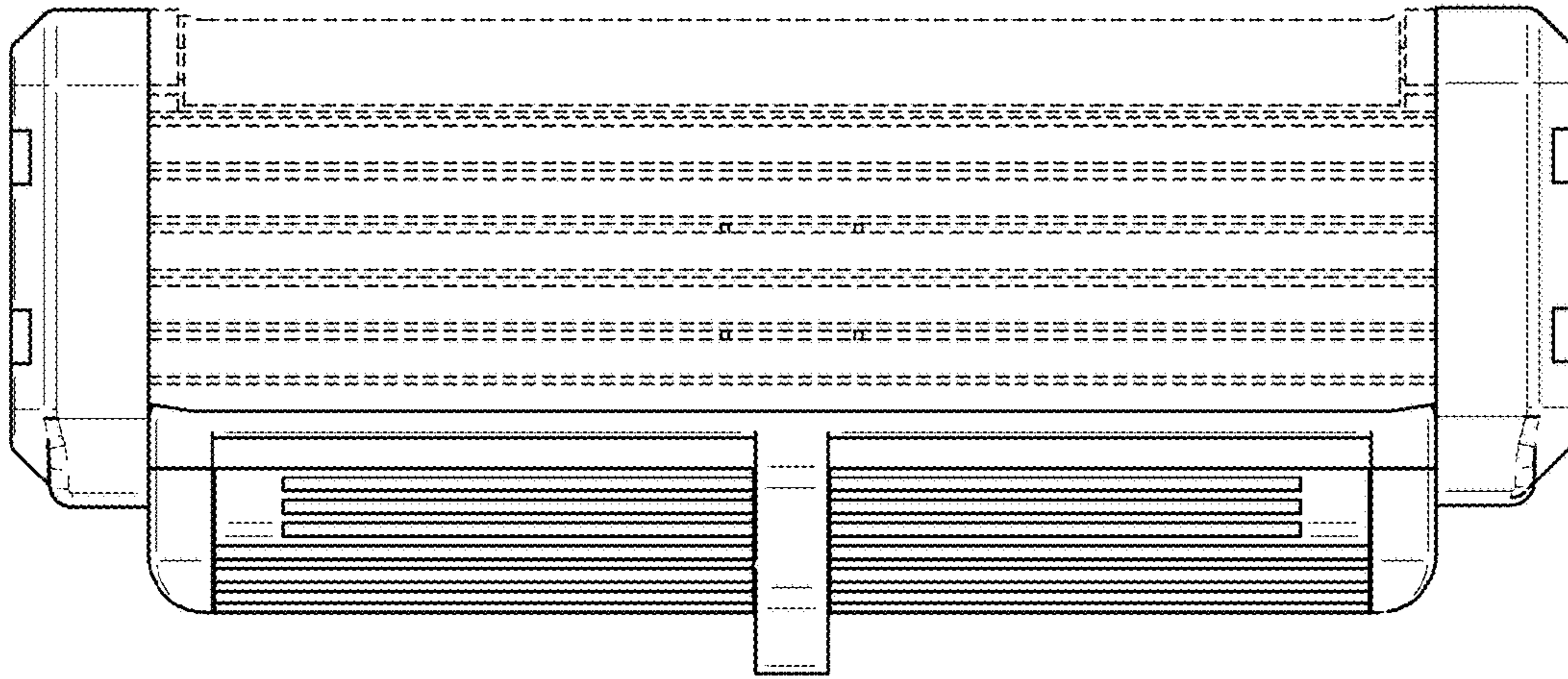


FIG. 21

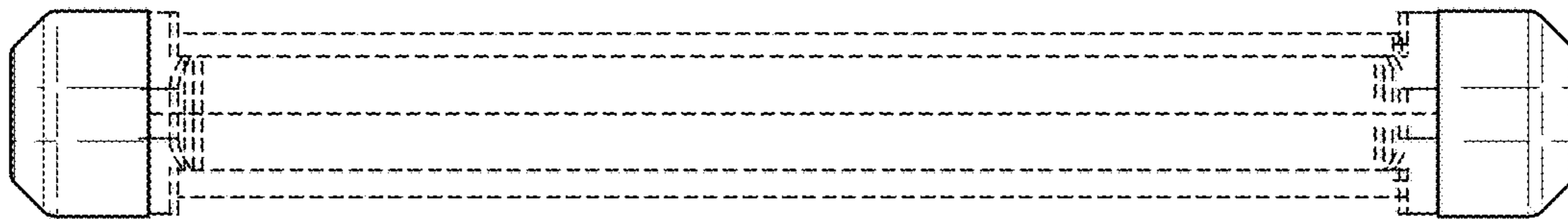


FIG. 22

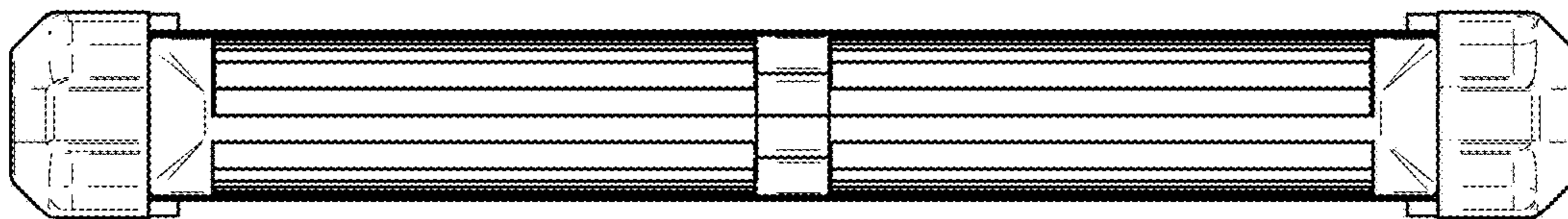


FIG. 23

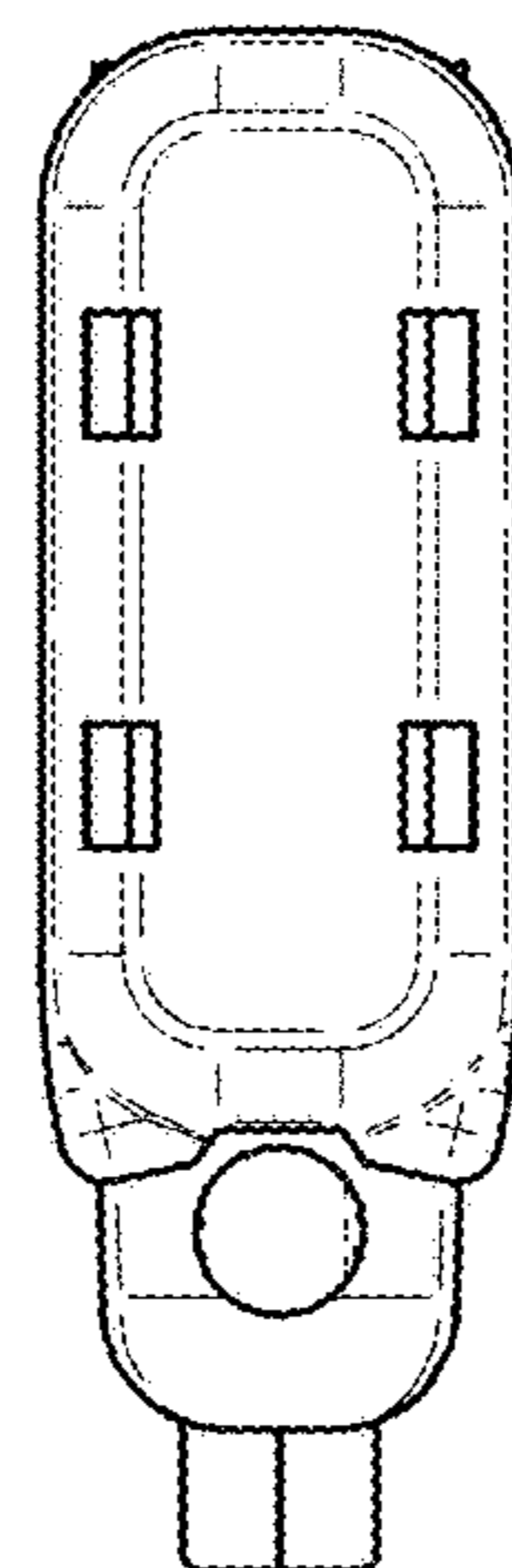


FIG. 24