



US00D850720S

(12) **United States Design Patent**
Silva

(10) **Patent No.:** **US D850,720 S**

(45) **Date of Patent:** **** Jun. 4, 2019**

(54) **CLAW CLIP WITH ELONGATED COMB**

(71) Applicant: **David Silva**, Reno, NV (US)

(72) Inventor: **David Silva**, Reno, NV (US)

(**) Term: **15 Years**

(21) Appl. No.: **29/618,776**

(22) Filed: **Sep. 24, 2017**

(51) **LOC (11) Cl.** **28-03**

(52) **U.S. Cl.**
USPC **D28/40**

(58) **Field of Classification Search**
USPC D28/21, 27, 28, 30, 31, 32, 33, 34, 39,
D28/40, 92, 93
CPC A45D 24/00; A45D 24/002; A45D 24/005;
A45D 24/02; A45D 24/04; A45D 24/30;
A45D 24/34; A45D 24/36; A45D 8/00;
A45D 8/02; A45D 8/12; A45D 8/20;
A45D 8/24; A45D 8/28; A45D 8/30;
A45D 8/34; A45D 2008/002; A45D
2008/004; A01K 13/00

See application file for complete search history.

(56) **References Cited**

U.S. PATENT DOCUMENTS

3,444,866	A *	5/1969	Battaglia	A45D 24/02 132/126
D307,808	S *	5/1990	Cabiddu	D28/29
D367,129	S *	2/1996	de Paris	D28/28
D501,276	S *	1/2005	LaFauci	D28/40
2005/0199255	A1 *	9/2005	Silva	A45D 8/12 132/144
2007/0131238	A1 *	6/2007	Chudzik	A45D 8/20 132/277
2008/0156341	A1 *	7/2008	Longoria	A45D 8/20 132/277
2008/0223396	A1 *	9/2008	Hsu	A45D 8/06 132/279

2009/0272397	A1 *	11/2009	Defenbaugh	A45D 8/20 132/277
2013/0042880	A1 *	2/2013	Arpey	A45D 8/12 132/200
2014/0202489	A1 *	7/2014	Yang	A45D 8/20 132/277

OTHER PUBLICATIONS

Tortoise Salon Duck Style Plastic Hair Claw, posted © 2009-2018 [online], retrieved Aug. 29, 2018, retrieved from internet, <<https://www.gladhair.com/collections/claw-hair-clips/products/tortoise-salon-duck-style-plastic-hair-claw>>.*

* cited by examiner

Primary Examiner — Barbara Fox
Assistant Examiner — Messina L Smith

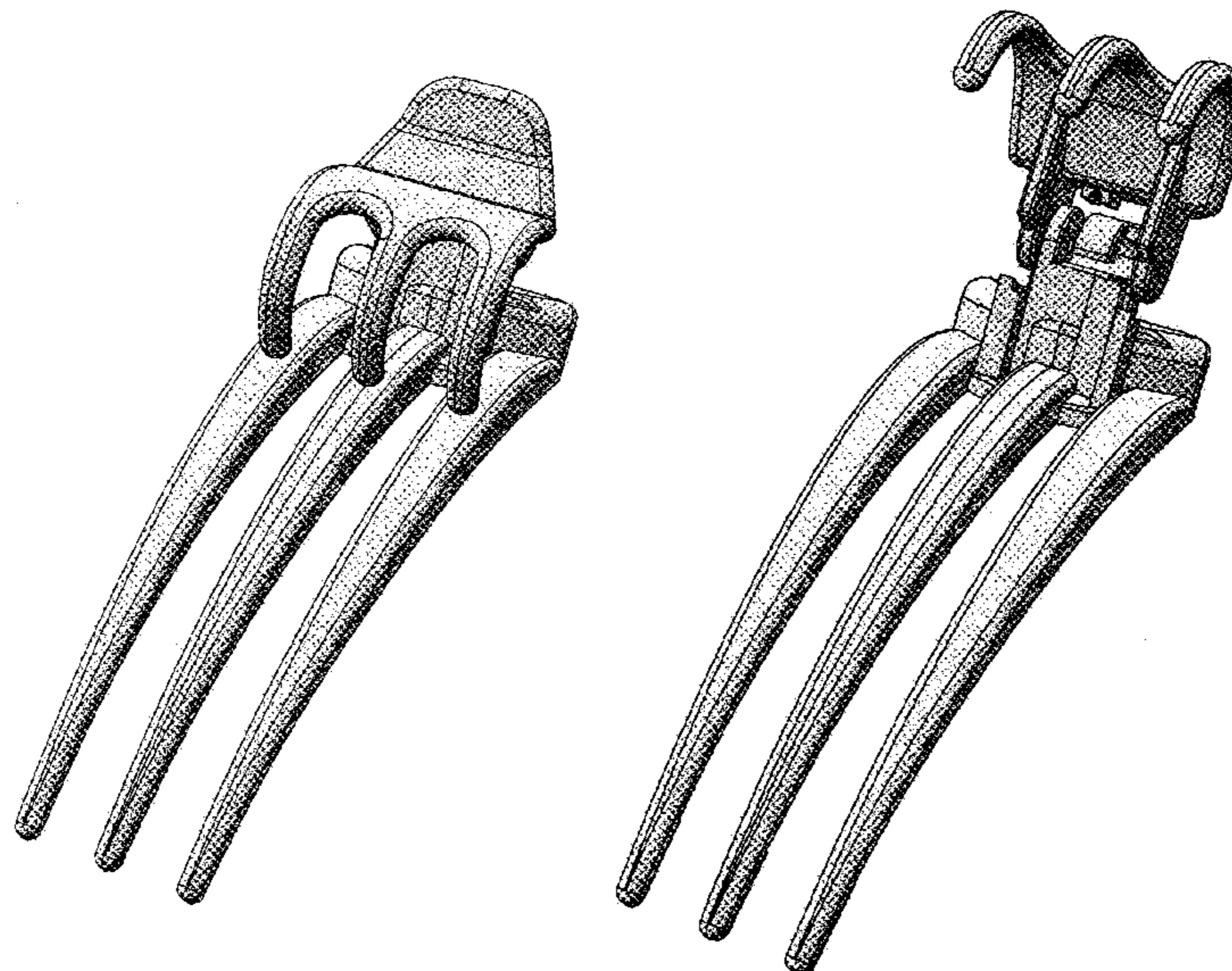
(57) **CLAIM**

The ornamental design for a claw clip with an elongated comb, as shown and described.

DESCRIPTION

FIG. 1 is a perspective view of a claw clip with an elongated comb, showing my new design;
FIG. 2 is another perspective view of my new design;
FIG. 3 is another perspective view of my new design;
FIG. 4. is another perspective view of my new design;
FIG. 5 is a top view of my new design;
FIG. 6 is a side view of my new design;
FIG. 7 is a bottom view of my new design;
FIG. 8 is a front view of my new design;
FIG. 9 is a back view of my new design;
FIG. 10 is a perspective view, with the claw clip open, of my new design;
FIG. 11 is a side view, with the claw clip open, of my new design;
FIG. 12 is a back view, with the claw clip open, of my new design; and,
FIG. 13 is a front view, with the claw clip open, of my new design.

1 Claim, 11 Drawing Sheets



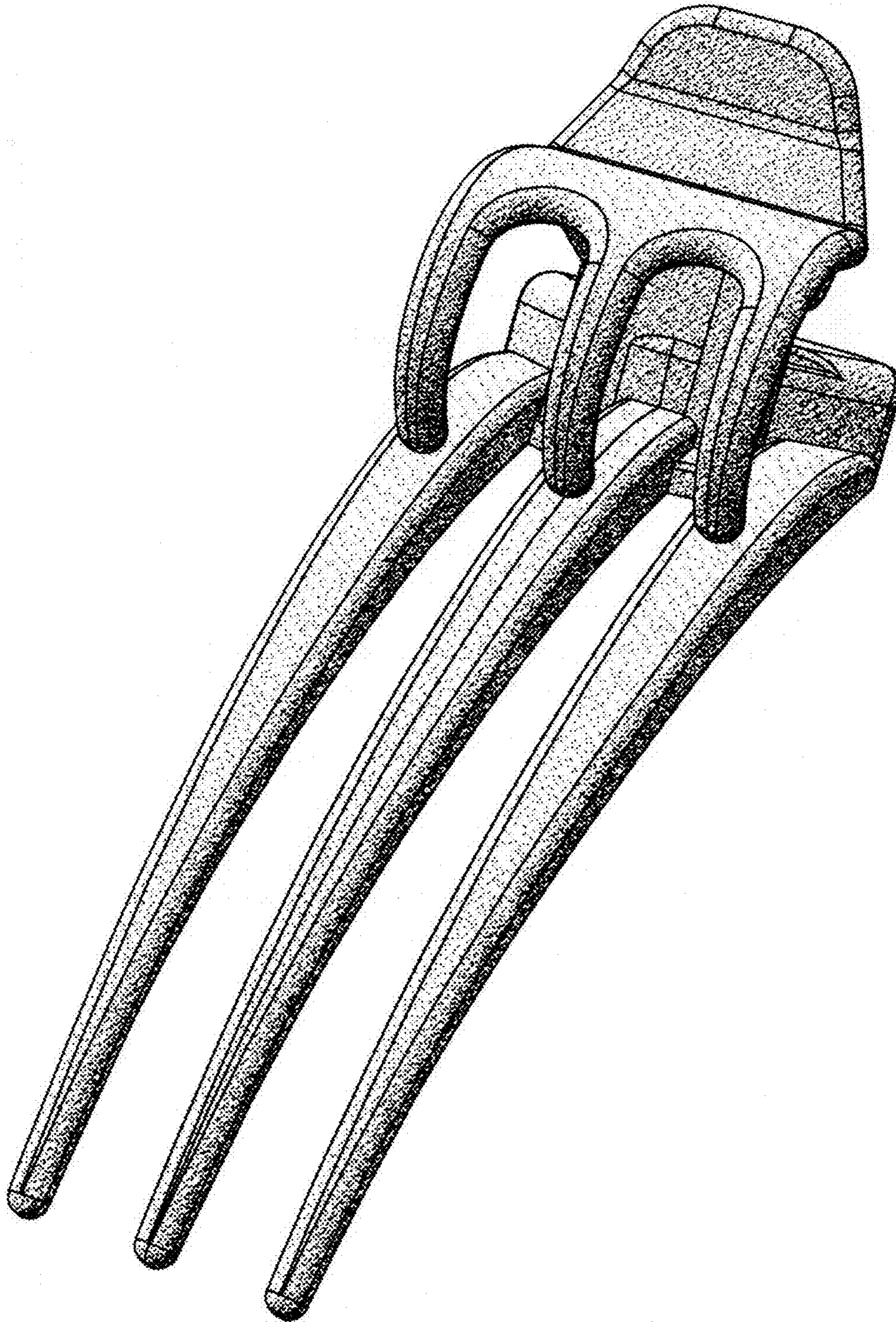


FIG. 1

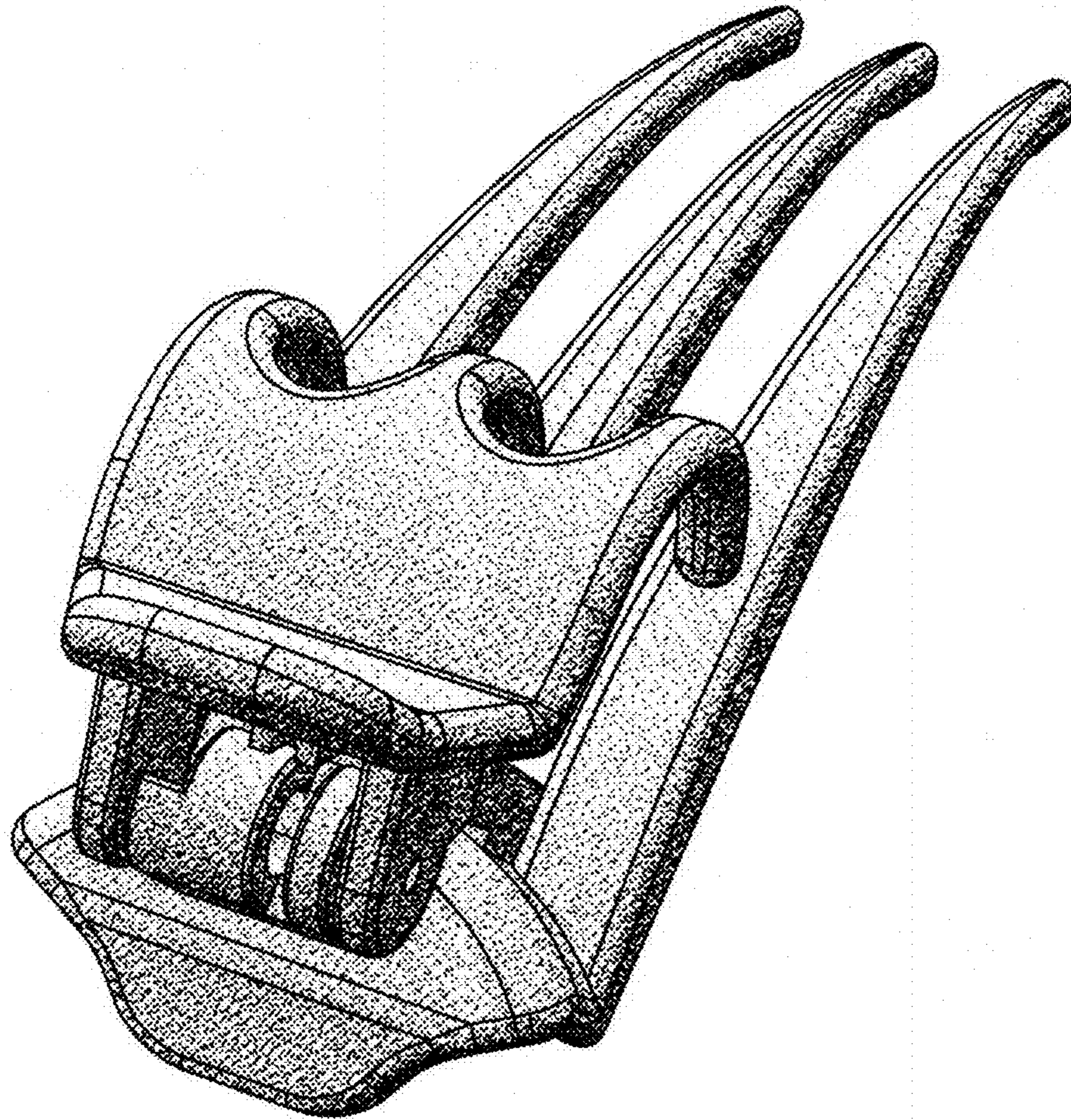


FIG. 2

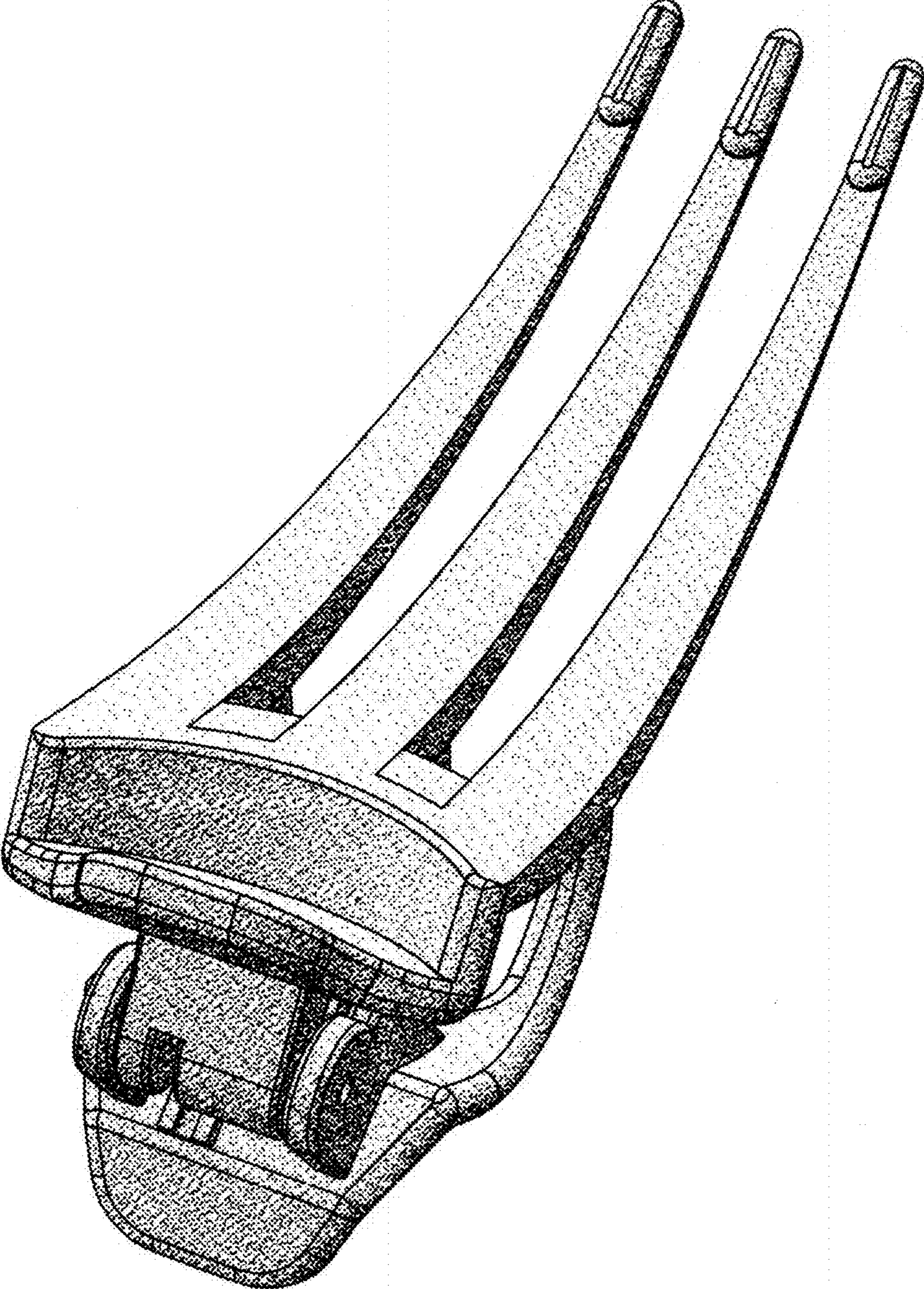


FIG. 3

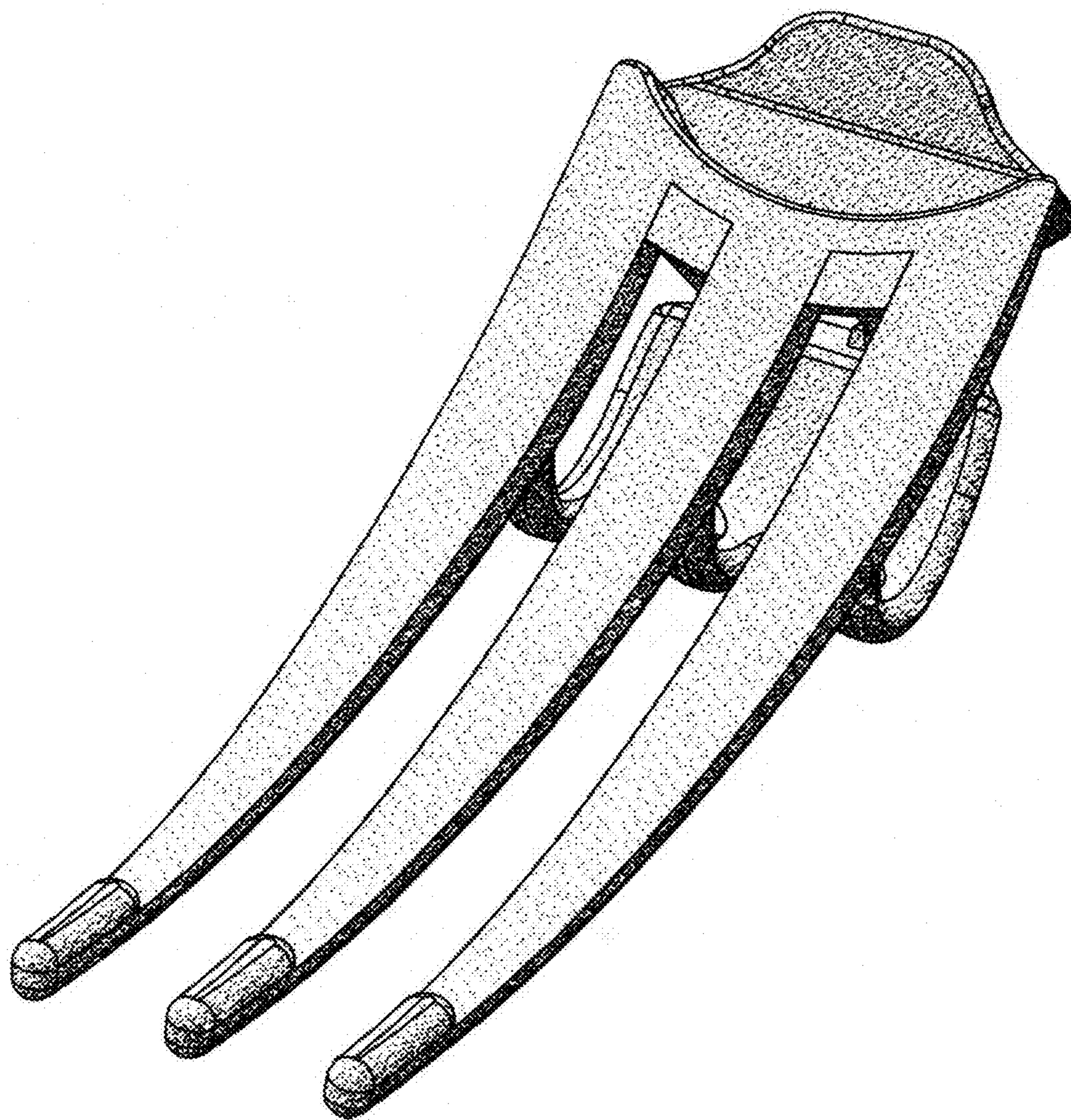


FIG. 4

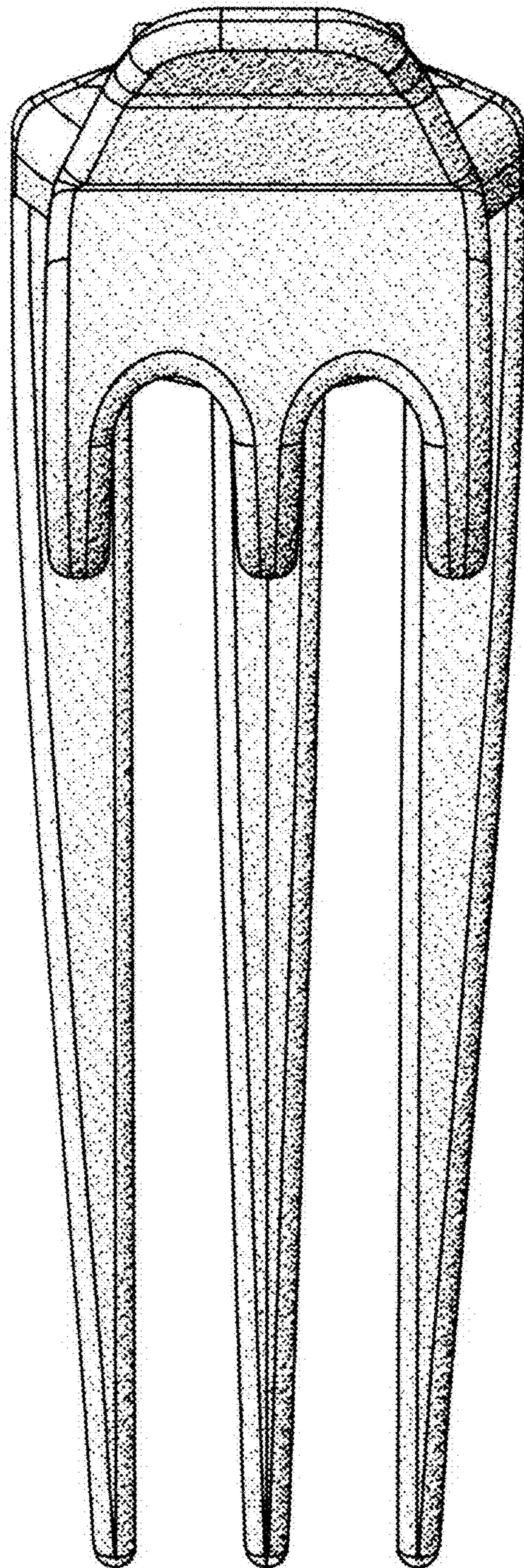


FIG. 5

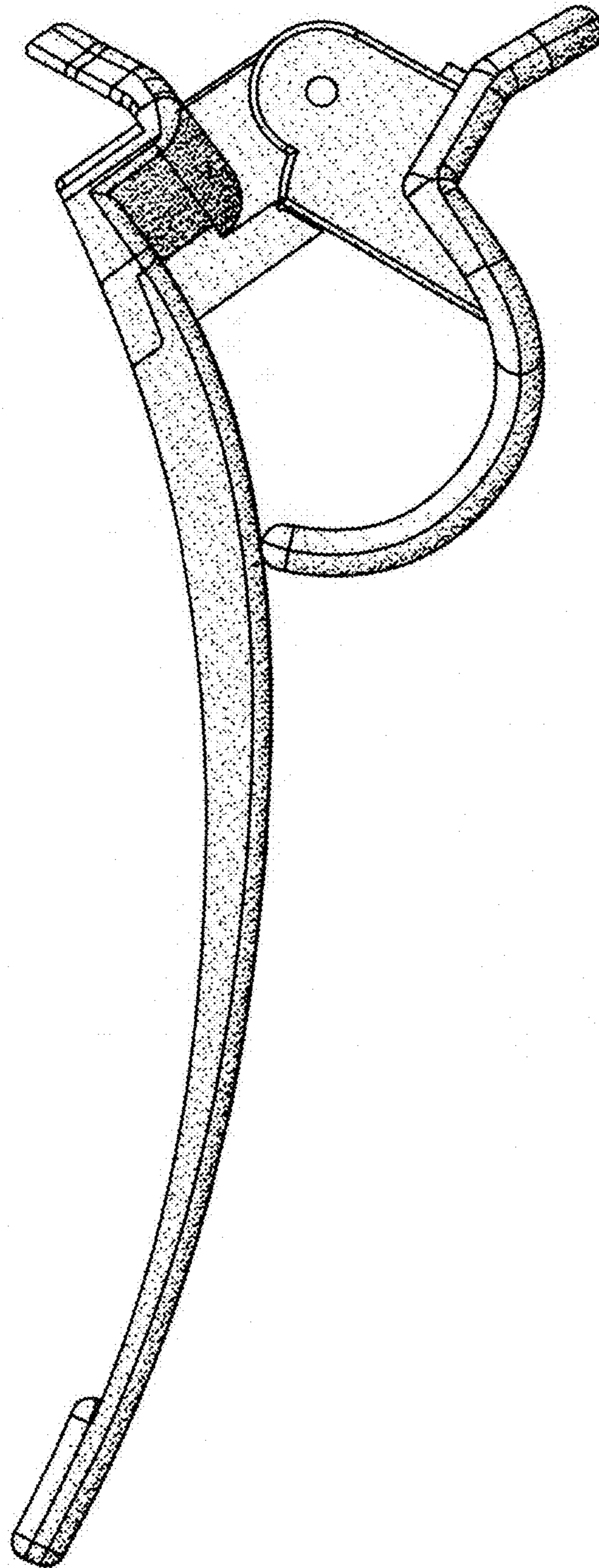


FIG. 6

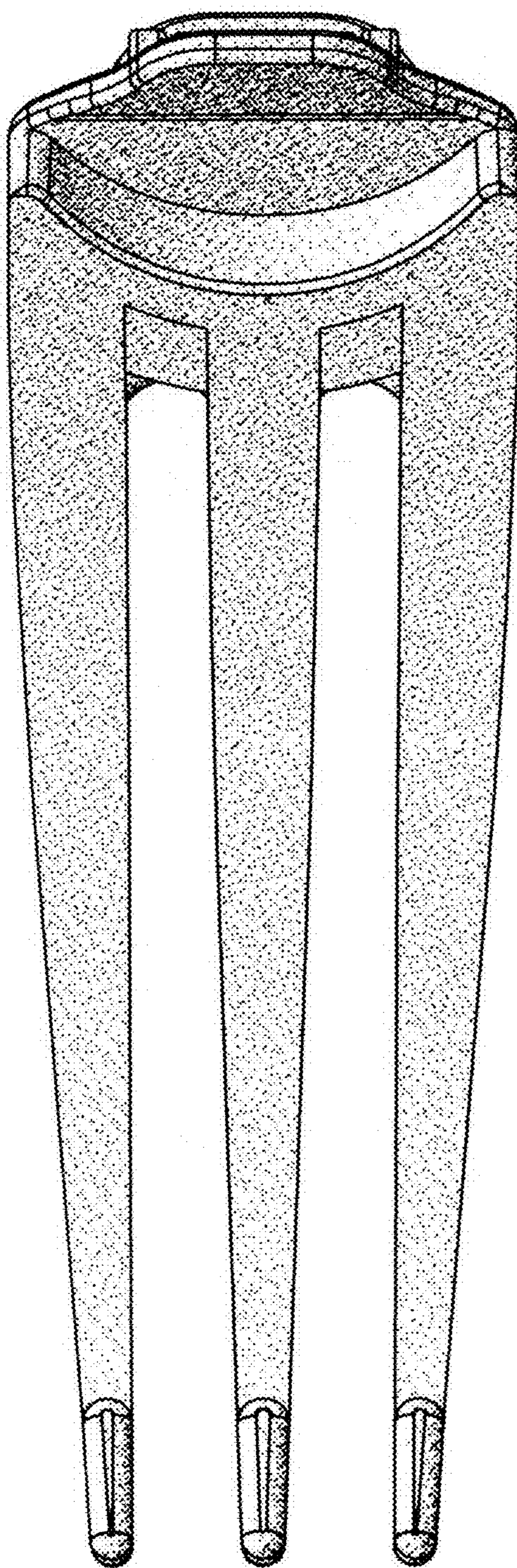


FIG. 7

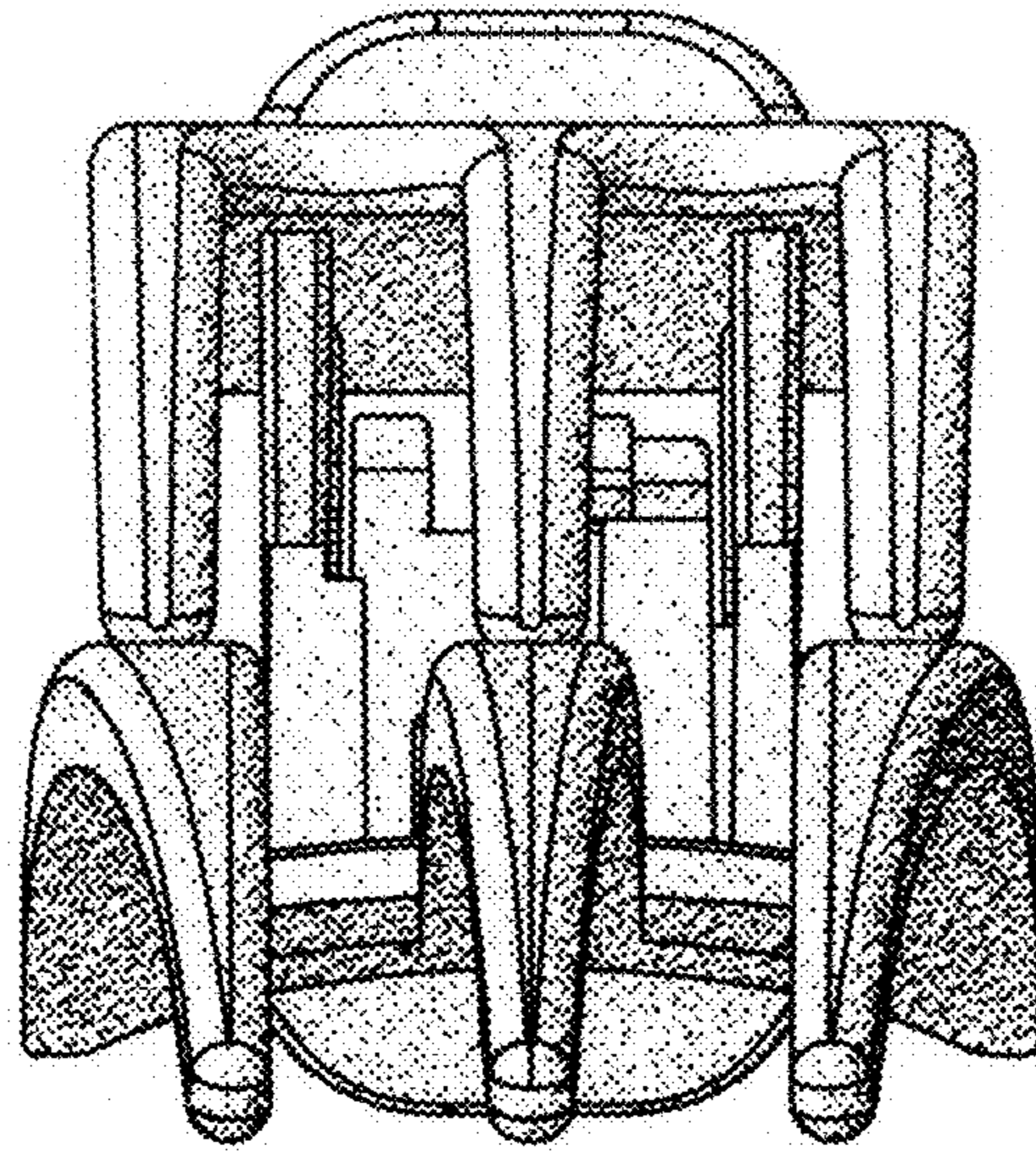


FIG. 8

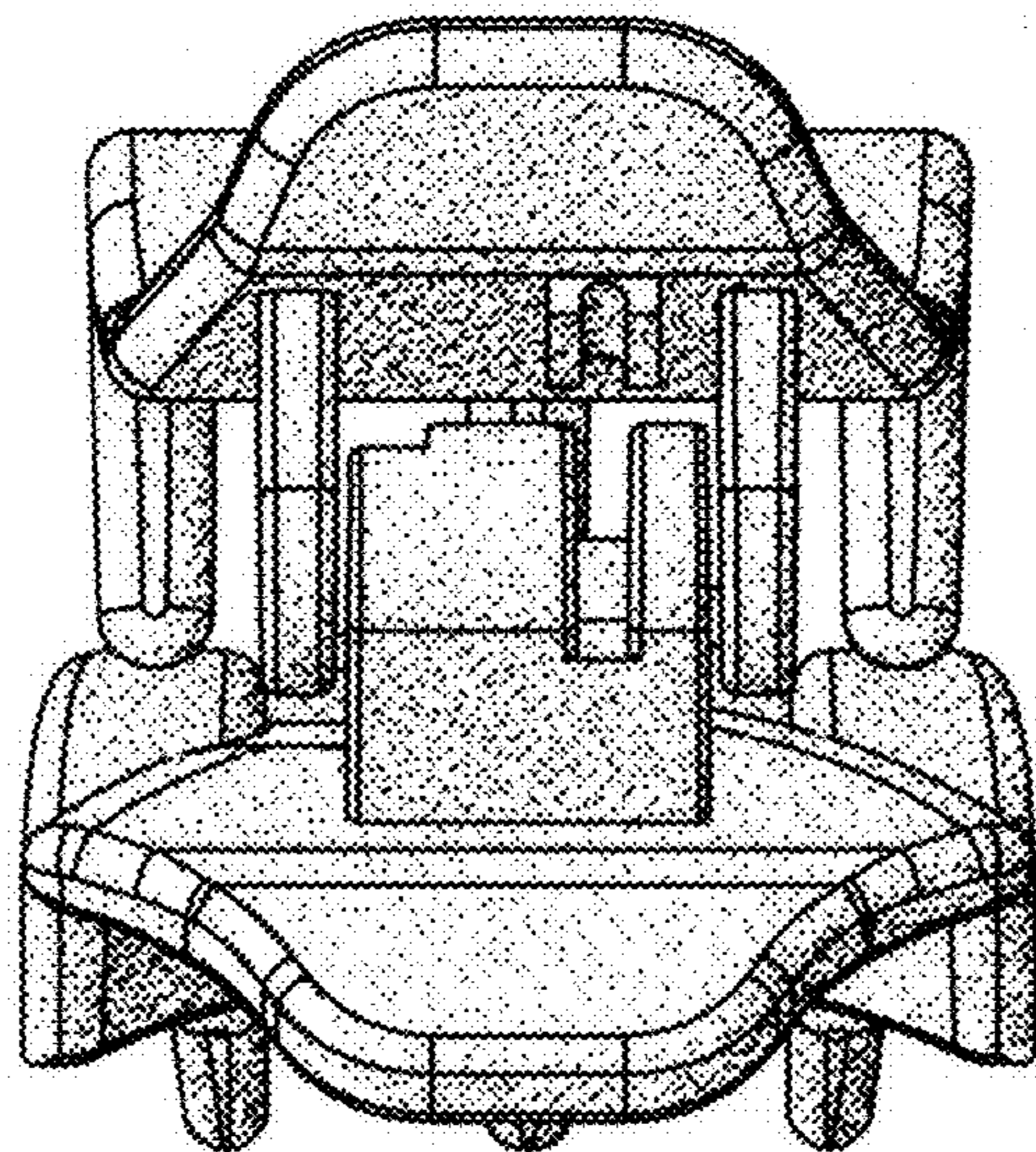


FIG. 9

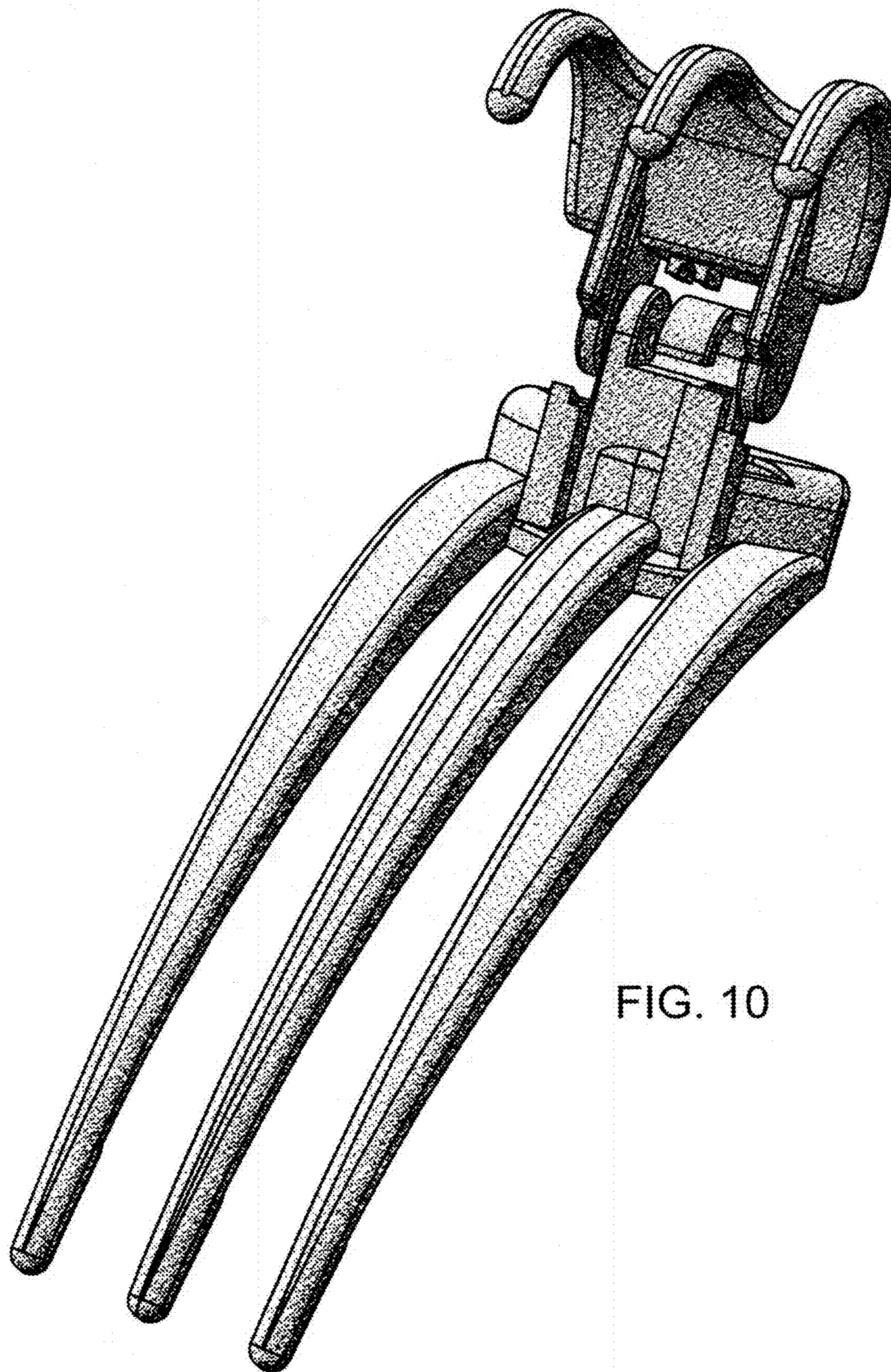


FIG. 10

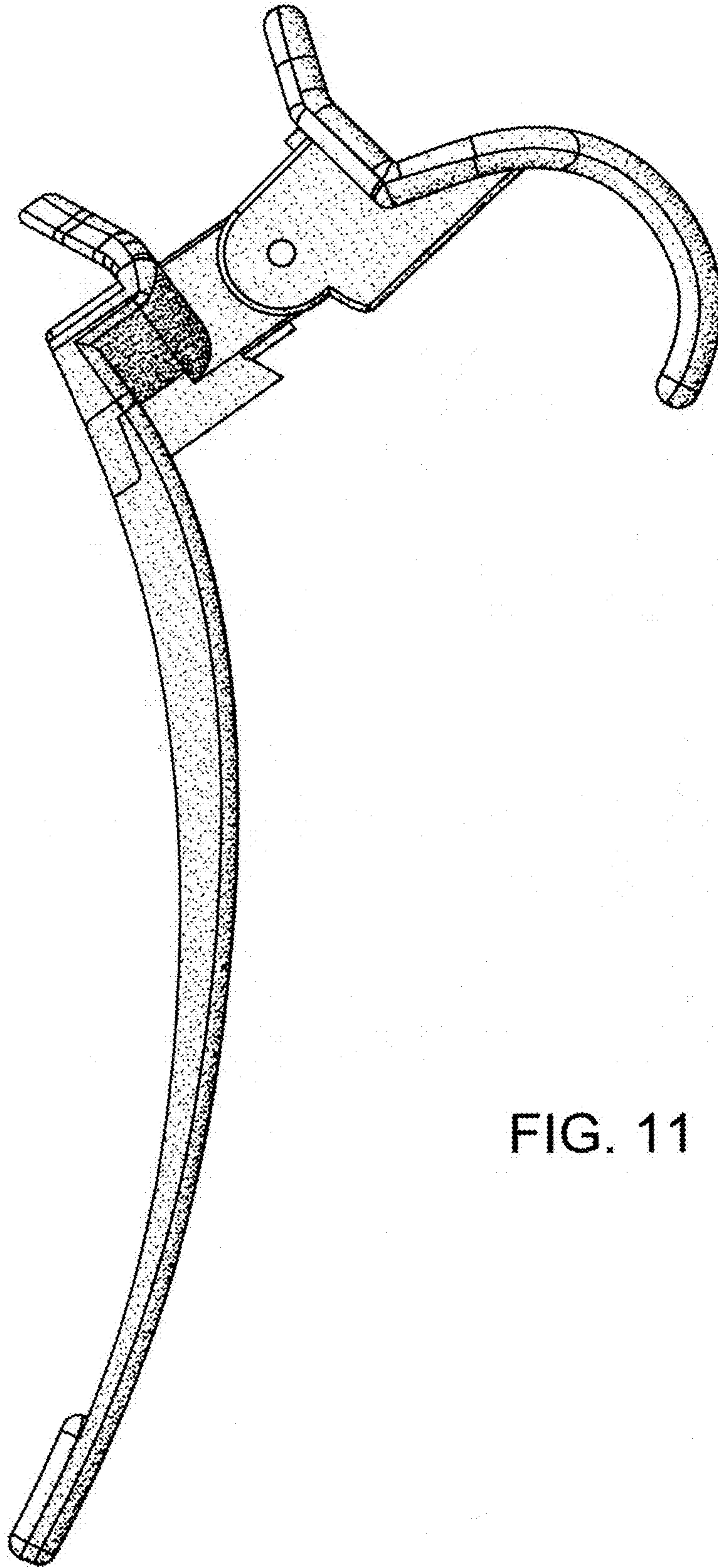


FIG. 11

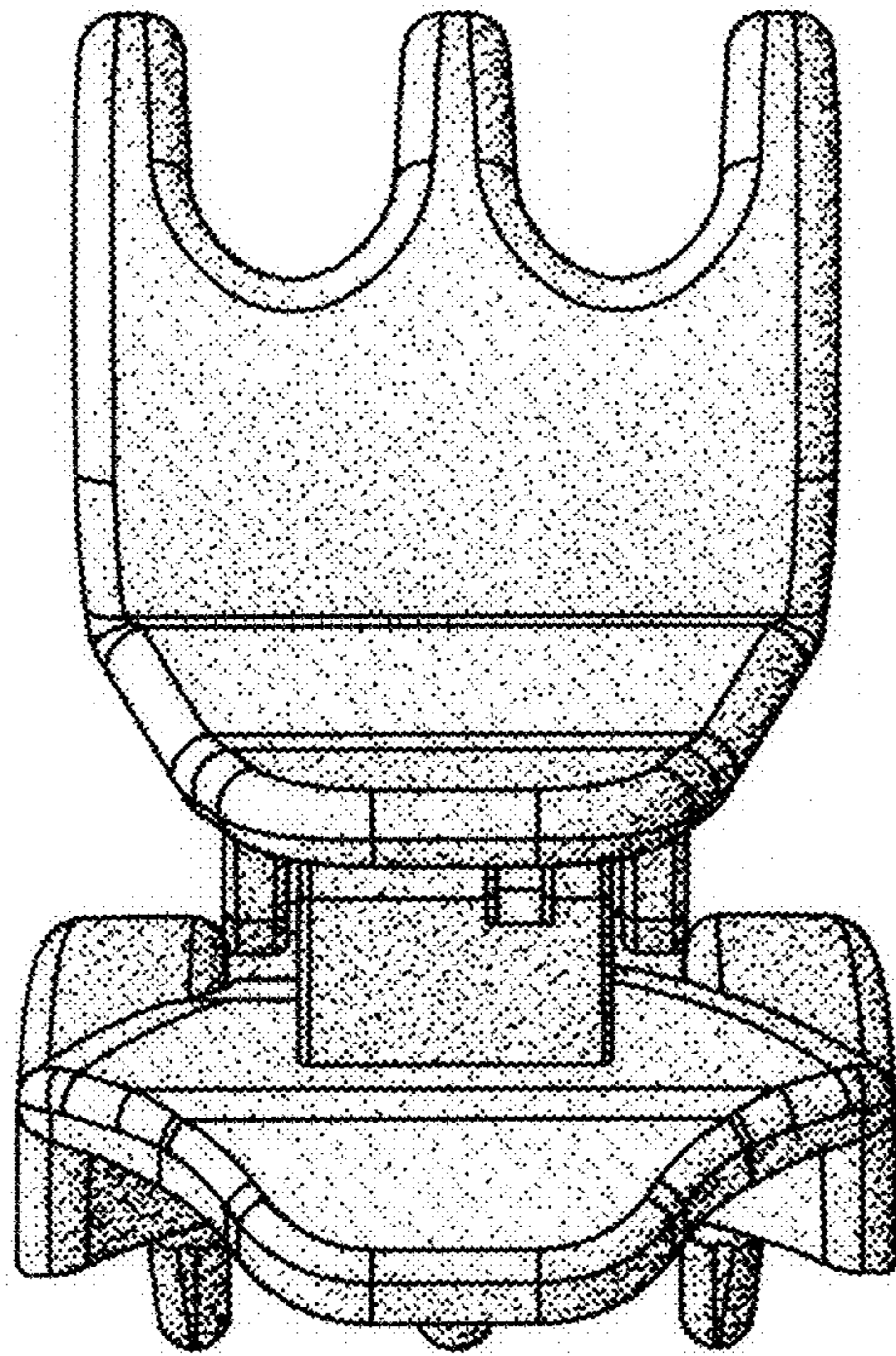


FIG. 12

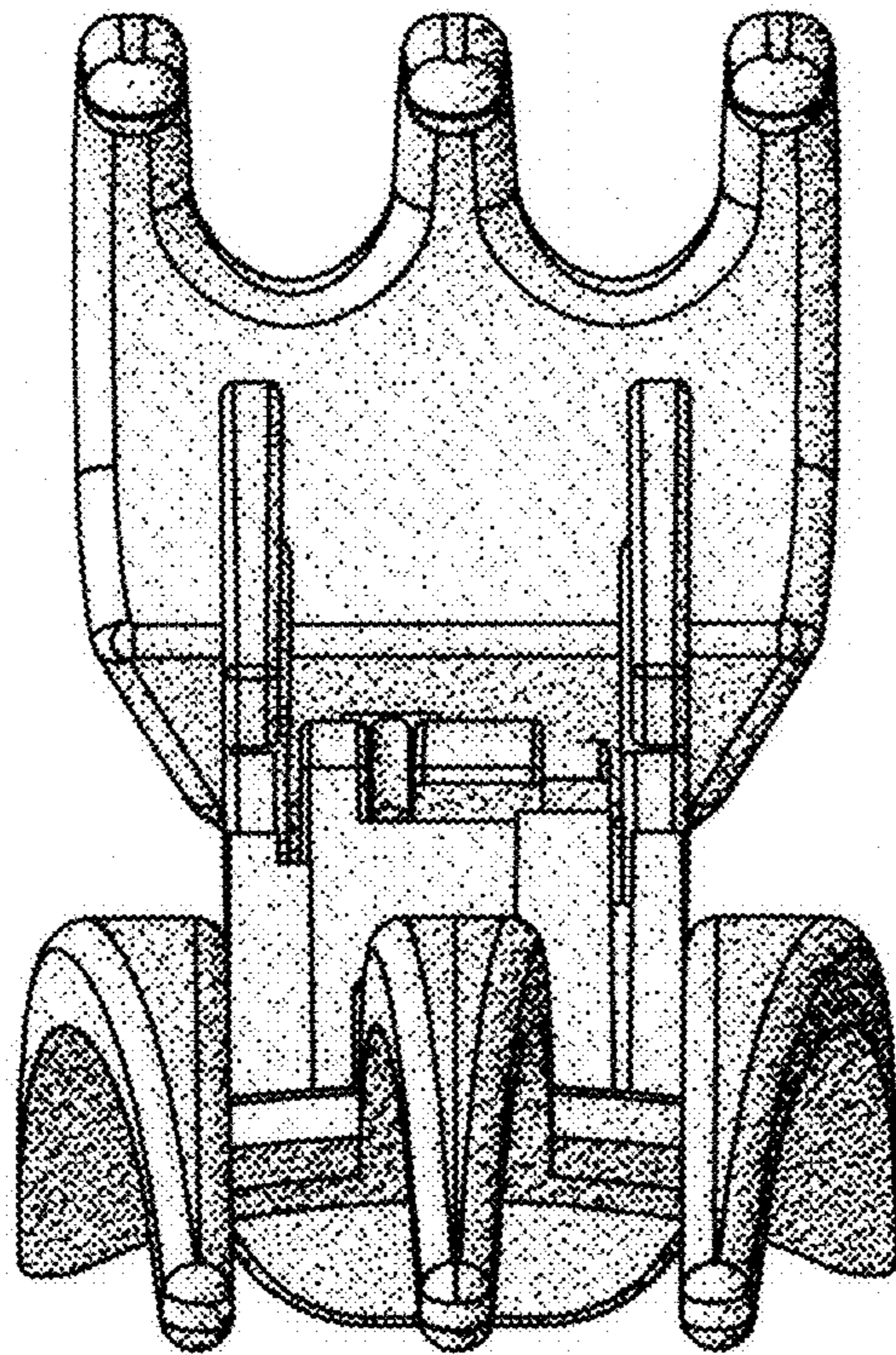


FIG. 13