



US00D850719S

(12) **United States Design Patent**
Torres

(10) **Patent No.:** **US D850,719 S**

(45) **Date of Patent:** **** Jun. 4, 2019**

(54) **BRUSH AND COMB COMBINATION**

(71) Applicant: **Kenneth Torres**, Minotola, NJ (US)

(72) Inventor: **Kenneth Torres**, Minotola, NJ (US)

(**) Term: **15 Years**

(21) Appl. No.: **29/644,191**

(22) Filed: **Apr. 16, 2018**

(51) **LOC (11) Cl.** **28-03**

(52) **U.S. Cl.**
USPC **D28/25**

(58) **Field of Classification Search**
USPC D28/25, 21, 30, 31, 40; D4/117, 116,
D4/134; 132/120, 121, 148
CPC A45D 24/10; A45D 24/14
See application file for complete search history.

(56) **References Cited**

U.S. PATENT DOCUMENTS

D18,214 S *	3/1888	Witteck	D28/21
D267,354 S *	12/1982	Tihonovich	D28/21
D365,930 S *	1/1996	Huen	D28/25
D406,391 S *	3/1999	Lucero	D28/21
D477,688 S *	7/2003	Cheung	D28/21
D480,834 S *	10/2003	Cheung	D28/21
D482,492 S *	11/2003	Cheung	D28/25
D496,128 S *	9/2004	Antonopoulos	D28/21
D575,000 S *	8/2008	Warnett	D28/21

D796,739 S *	9/2017	Burton	D28/21
D796,740 S *	9/2017	Burton	D28/21
D820,518 S *	6/2018	Tanaka	D28/29
D834,250 S *	11/2018	Condon	D28/21
2009/0217937 A1 *	9/2009	Nelson	A45D 24/36 132/213.1

* cited by examiner

Primary Examiner — Janice Hallmark
Assistant Examiner — Rebecca Tsehaye
(74) *Attorney, Agent, or Firm* — Stuart M. Goldstein

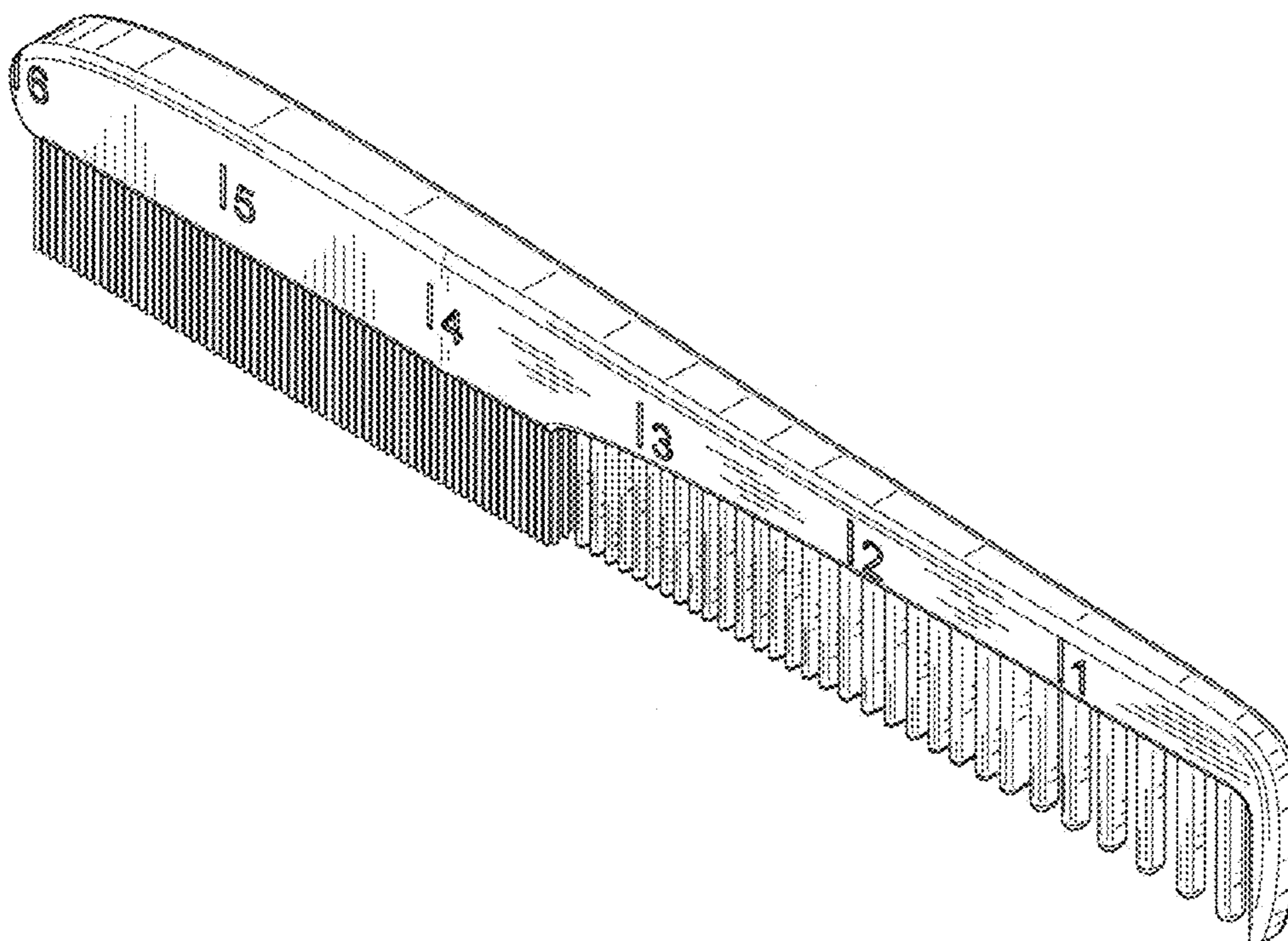
(57) **CLAIM**

The ornamental design for the brush and comb combination, as shown and described.

DESCRIPTION

FIG. 1 is a top perspective view of the brush and comb combination of the present invention.
FIG. 2 is an elevation view of the brush and comb combination of the present invention.
FIG. 3 is the opposite elevation view of the brush and comb combination of the present invention.
FIG. 4 is a top view of the brush and comb combination of the present invention.
FIG. 5 is a bottom view of the brush and comb combination of the present invention.
FIG. 6 is a front view of the brush and comb combination of the present invention; and,
FIG. 7 is a rear view of the brush and comb combination of the present invention.

1 Claim, 5 Drawing Sheets



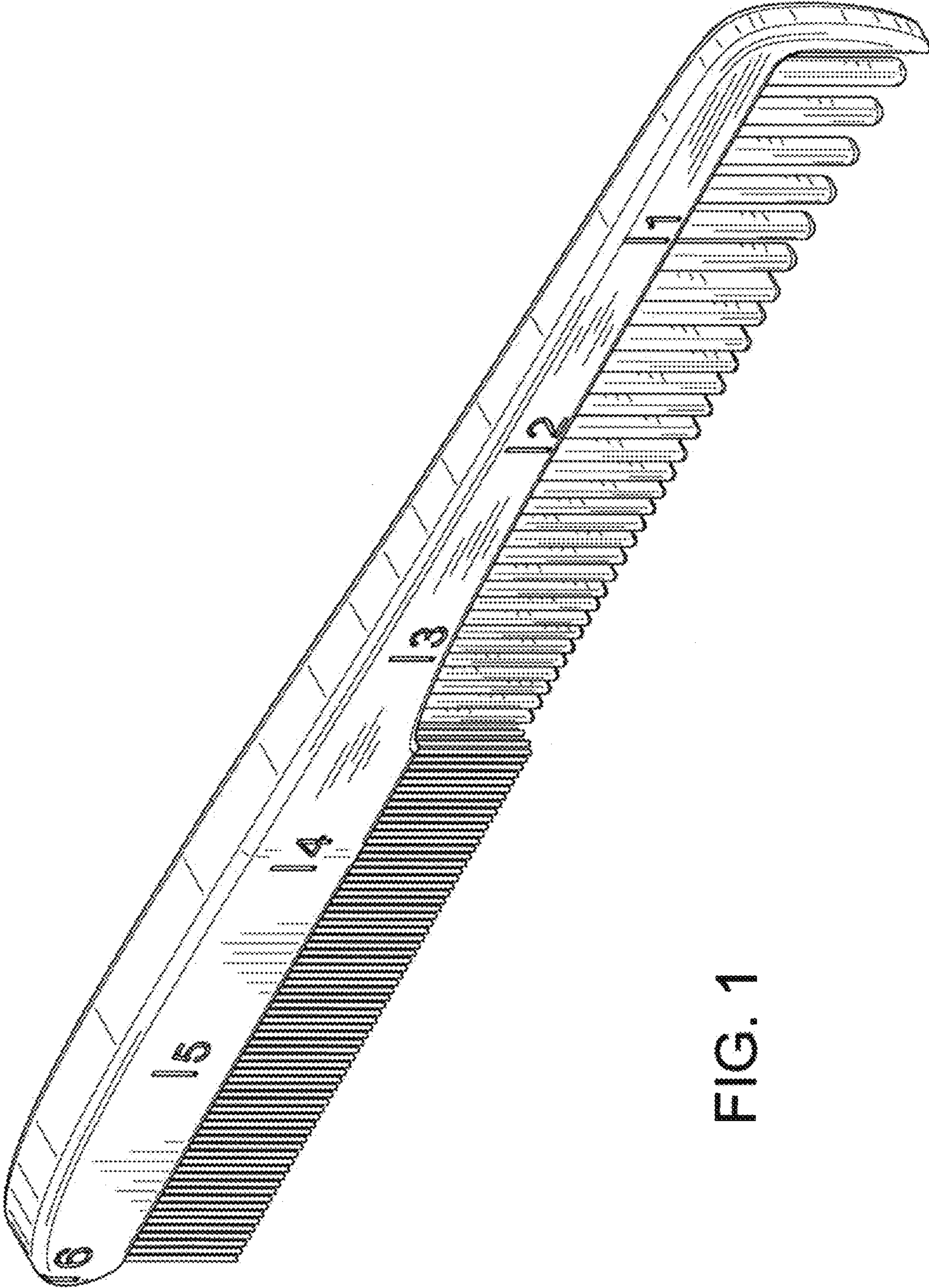


FIG. 1

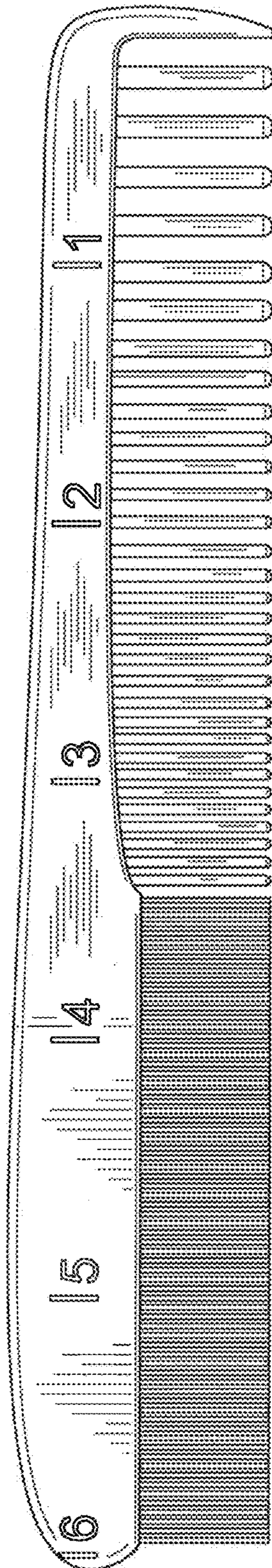


FIG. 2

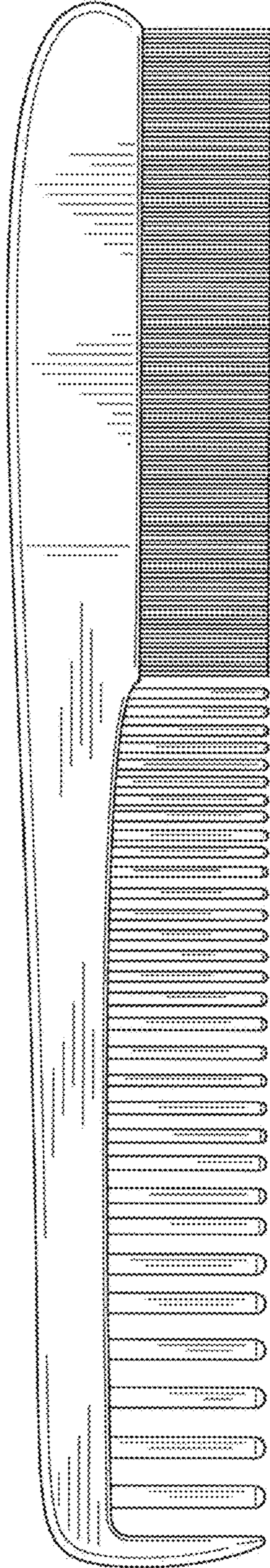


FIG. 3



FIG. 4

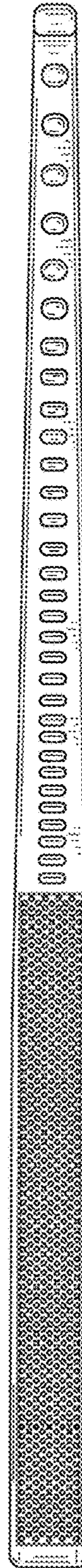


FIG. 5

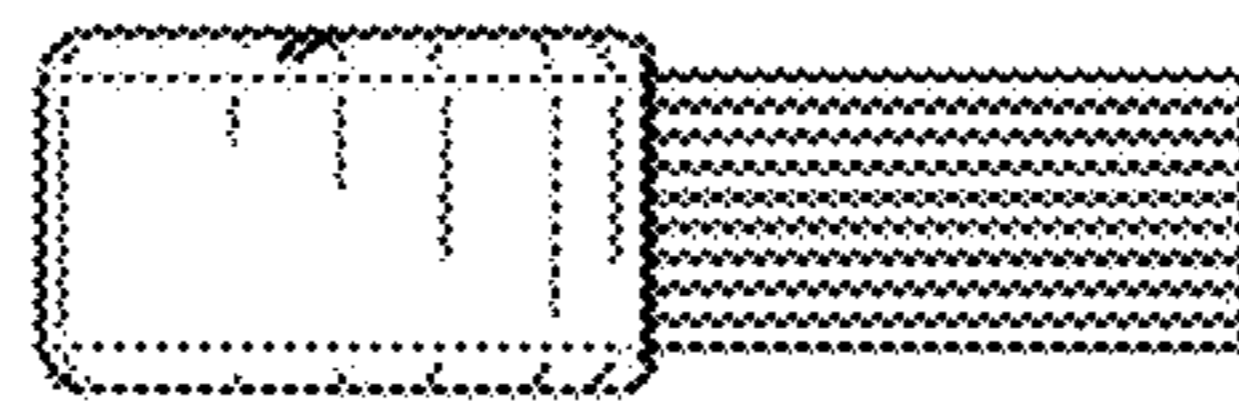


FIG. 7



FIG. 6