



US00D850718S

(12) **United States Design Patent**  
**Cai**

(10) **Patent No.:** **US D850,718 S**  
(45) **Date of Patent:** **\*\* Jun. 4, 2019**

(54) **ELECTRIC COMB**

(71) Applicant: **Hongmei Cai, Maoming (CN)**

(72) Inventor: **Hongmei Cai, Maoming (CN)**

(\*\*) Term: **15 Years**

(21) Appl. No.: **29/608,311**

(22) Filed: **Jun. 21, 2017**

(30) **Foreign Application Priority Data**

Jun. 16, 2017 (CN) ..... 2017 3 0249402

(51) **LOC (11) Cl.** ..... **28-03**

(52) **U.S. Cl.**  
USPC ..... **D28/24**

(58) **Field of Classification Search**  
USPC ..... D28/21, 24, 25, 27, 28, 30, 31, 32, 33,  
D28/34, 39, 40, 41, 42, 43, 76, 77, 78,  
D28/82, 92, 93

CPC .... A45D 24/00; A45D 24/002; A45D 24/005;  
A45D 24/02; A45D 24/04; A45D 24/30;  
A45D 24/34; A45D 24/36; A45D 8/00;  
A45D 8/02; A45D 8/12; A45D 8/20;  
A45D 8/24; A45D 8/28; A45D 8/30;  
A45D 8/34; A45D 2008/002; A45D  
2008/004; A01K 13/00; A41G 3/00;  
A41G 3/0008; A41G 3/0033; A41G 5/02;  
B65D 85/00; B65D 85/54; B65D 85/70

See application file for complete search history.

(56) **References Cited**

**U.S. PATENT DOCUMENTS**

1,937,004 A \* 11/1933 Anderson ..... A45D 2/002  
132/118  
D226,877 S \* 5/1973 Tucker ..... D28/24

D231,144 S \* 4/1974 Wolff ..... D28/24  
D253,849 S \* 1/1980 Schroeder ..... D28/24  
D385,657 S \* 10/1997 Ostlund ..... D28/13  
D401,382 S \* 11/1998 Seifert ..... D28/13  
D609,857 S \* 2/2010 Schmitz ..... D28/15  
D702,880 S \* 4/2014 Tsai ..... D28/30  
D713,599 S \* 9/2014 Tsai ..... A45D 24/22  
D28/30  
D765,911 S \* 9/2016 Hollinger ..... D28/15  
D771,310 S \* 11/2016 He ..... D28/15  
D794,249 S \* 8/2017 Hou ..... D28/24  
D799,116 S \* 10/2017 Granito ..... D28/25  
D821,030 S \* 6/2018 Paul ..... D28/25  
D821,648 S \* 6/2018 Qiu ..... D28/25

\* cited by examiner

*Primary Examiner* — Barbara Fox

*Assistant Examiner* — Messina L Smith

(74) *Attorney, Agent, or Firm* — W&K IP

(57) **CLAIM**

The ornamental design for an electric comb, as shown and described.

**DESCRIPTION**

FIG. 1 is a perspective view of an electric comb showing my new design;

FIG. 2 is a front view showing my design;

FIG. 3 is a back view showing my design;

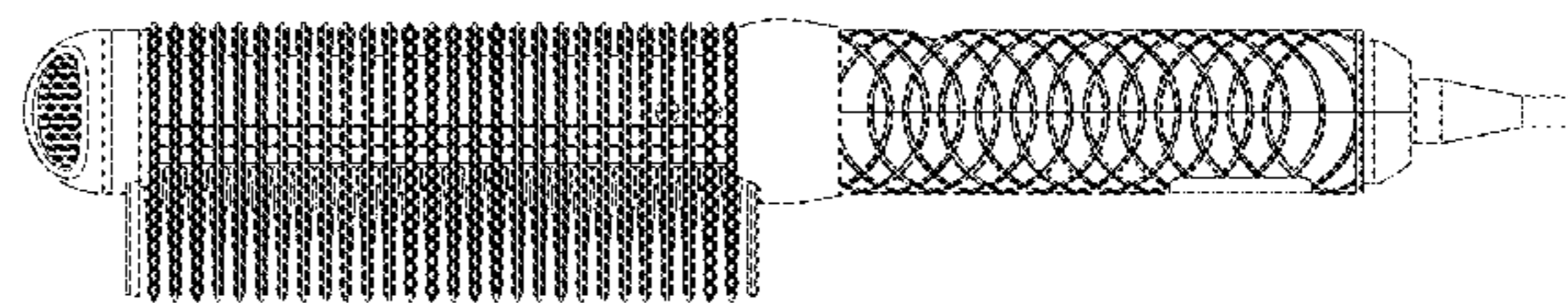
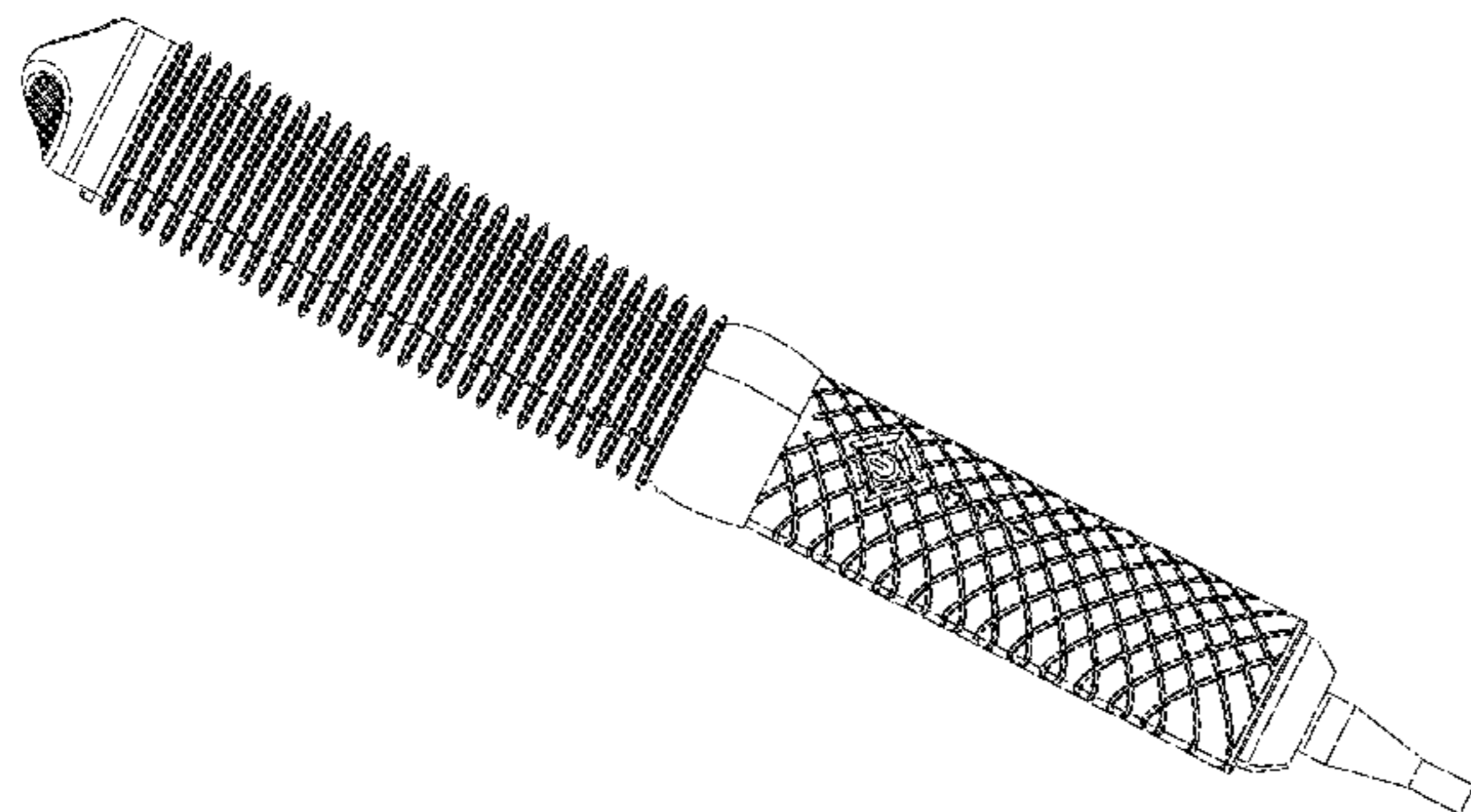
FIG. 4 is an enlarged left side view showing my design;

FIG. 5 is an enlarged right side view showing my design;

FIG. 6 is a top plan view showing my design; and,

FIG. 7 is a bottom plan view showing my design.

**1 Claim, 7 Drawing Sheets**



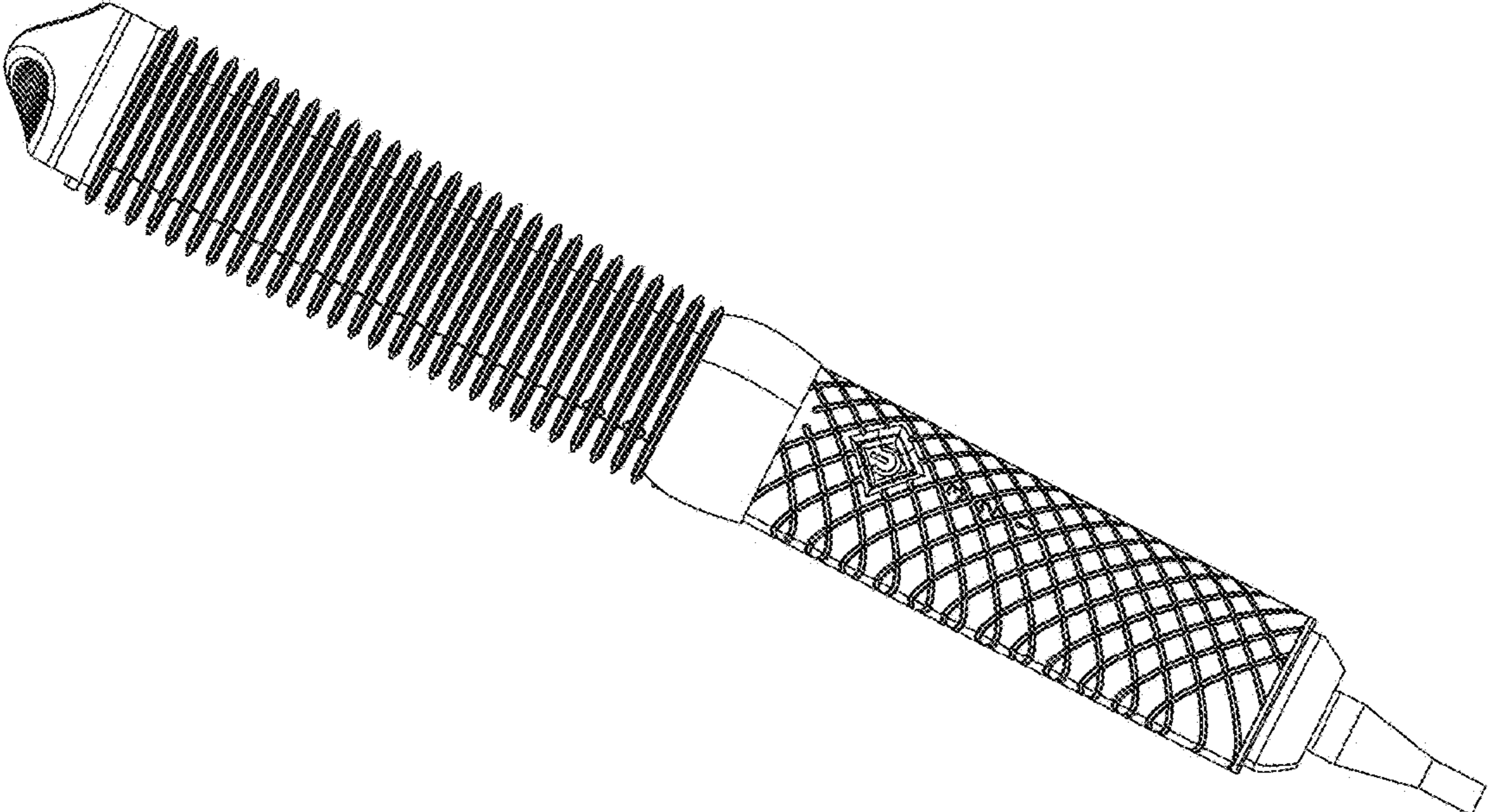


FIG. 1

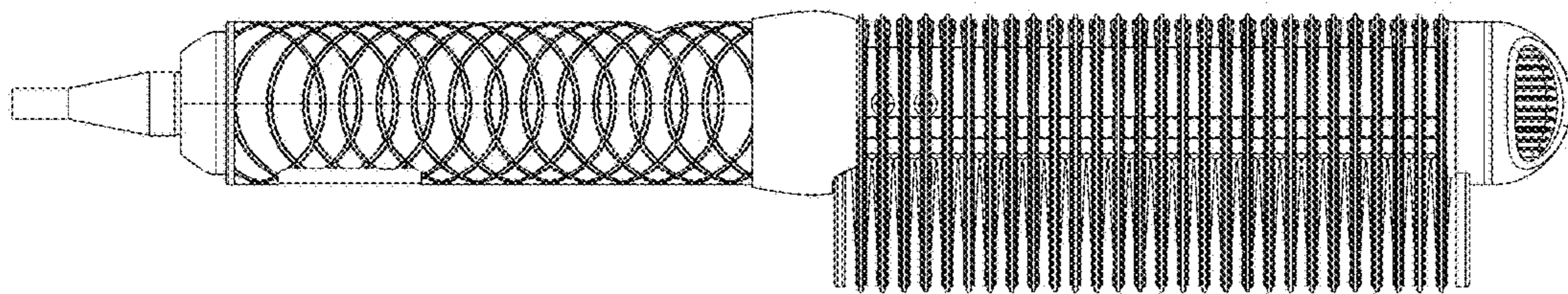


FIG.2

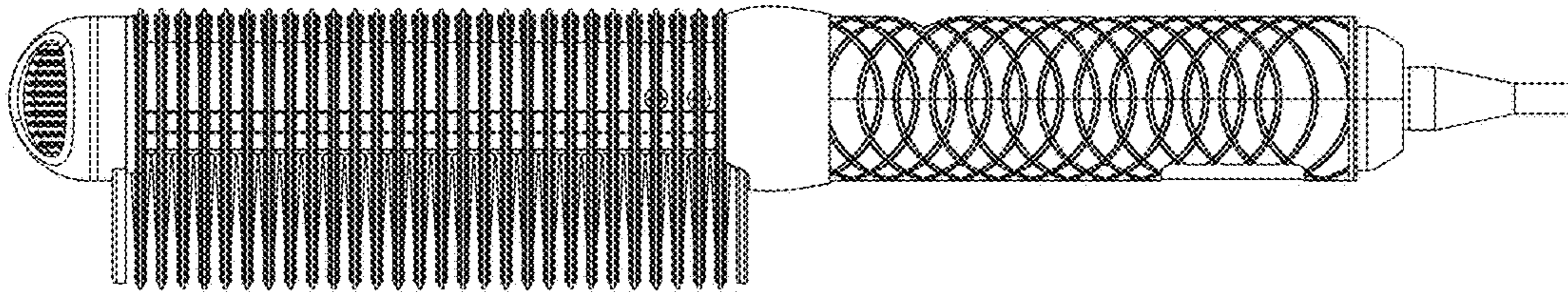


FIG.3

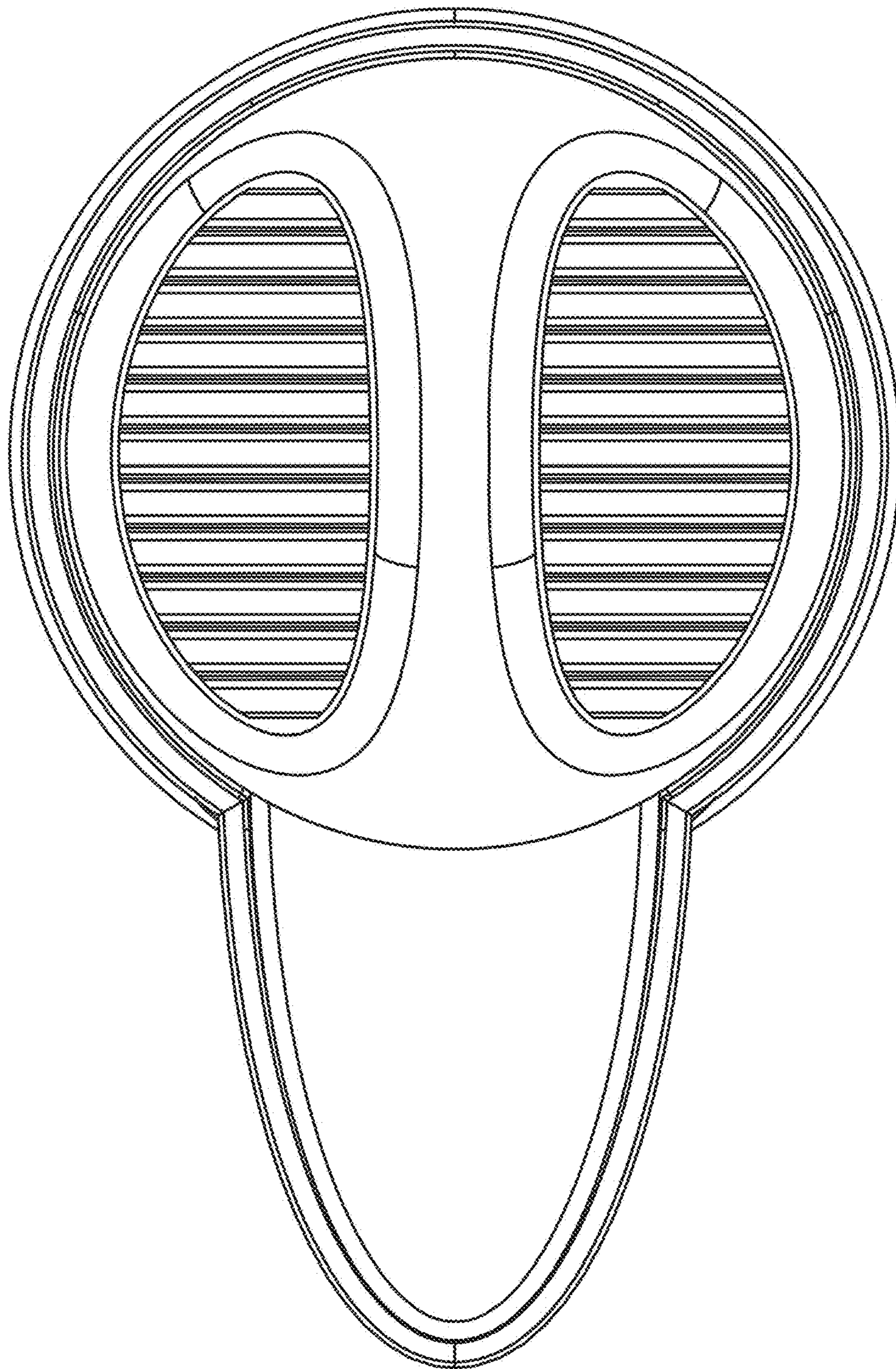


FIG.4

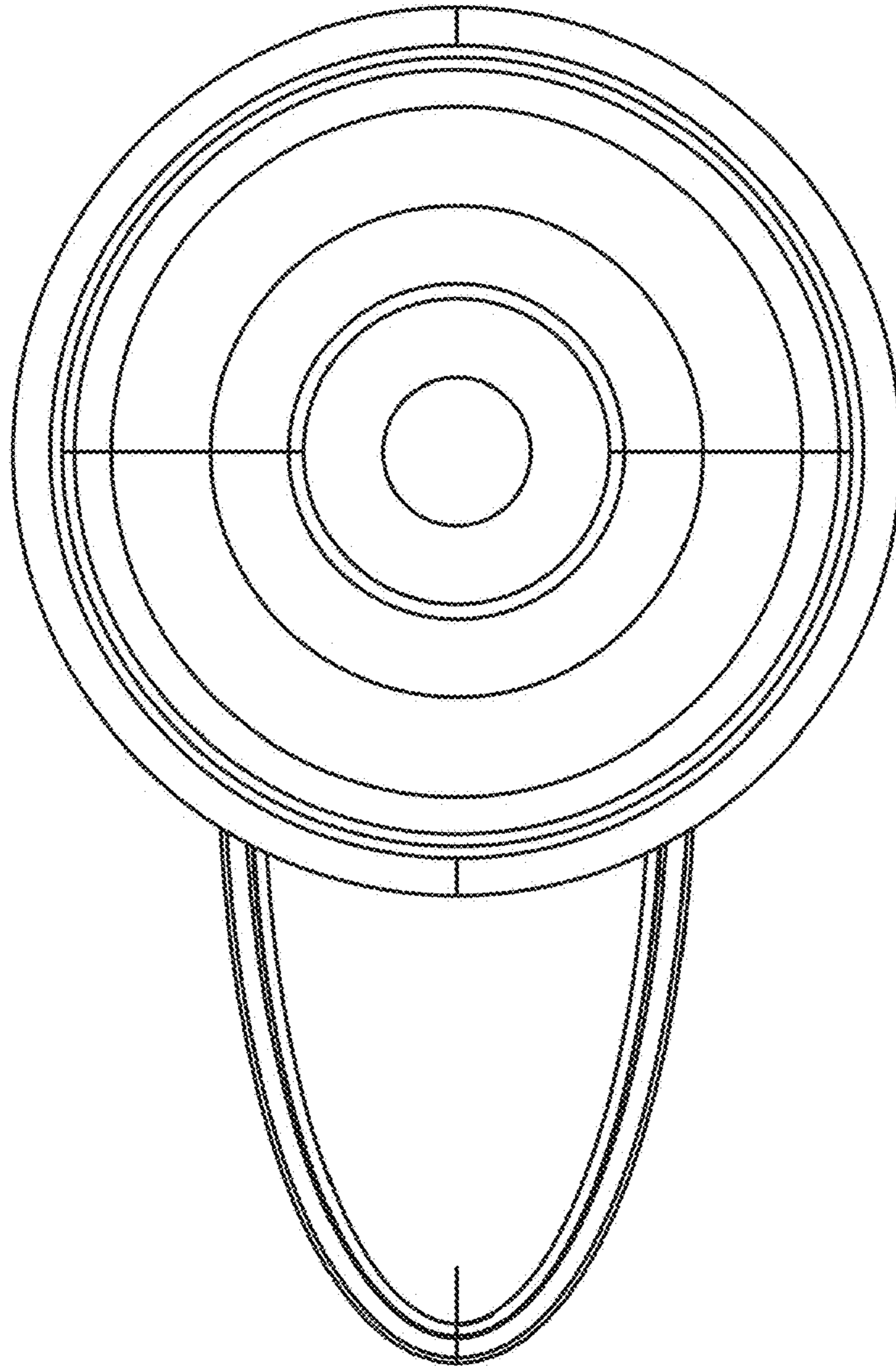


FIG.5

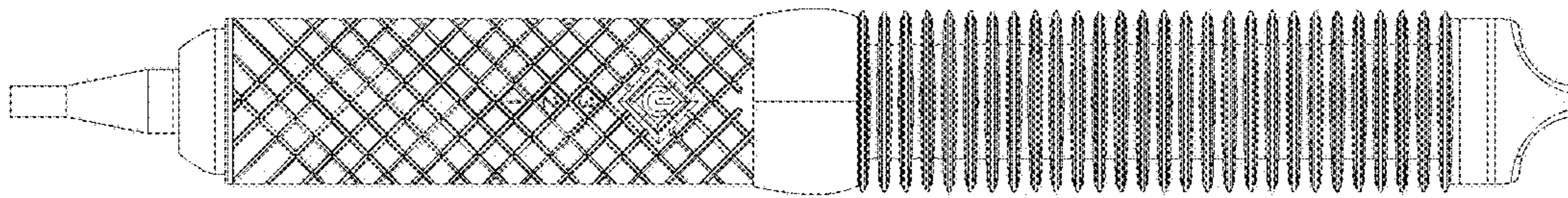


FIG. 6

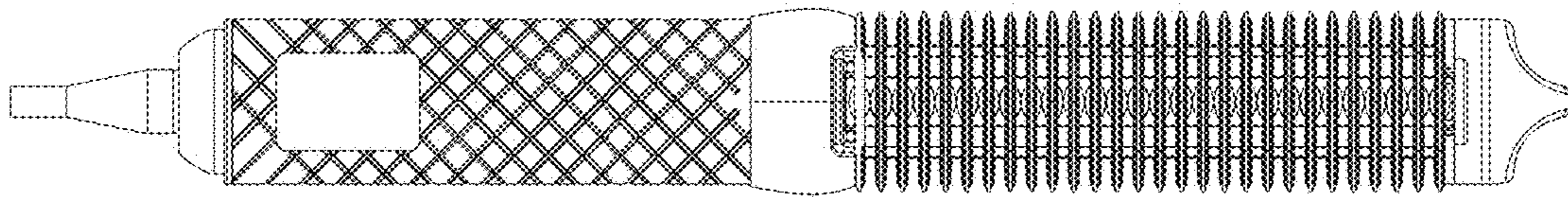


FIG. 7