



US00D850717S

(12) **United States Design Patent**
Huang

(10) **Patent No.:** **US D850,717 S**

(45) **Date of Patent:** **** Jun. 4, 2019**

(54) **HAIR DRYER**

(71) Applicant: **Guangzhou Milin Electric Appliance Co., Ltd., Guangzhou (CN)**

(72) Inventor: **Xinsen Huang, Guangzhou (CN)**

(73) Assignee: **Guangzhou Milin Electric Appliance Co., Ltd., Guangzhou (CN)**

(**) Term: **15 Years**

(21) Appl. No.: **29/636,047**

(22) Filed: **Feb. 6, 2018**

(30) **Foreign Application Priority Data**

Nov. 15, 2017 (CN) 2017 3 0564307

(51) **LOC (11) Cl.** **28-03**

(52) **U.S. Cl.**
USPC **D28/13**

(58) **Field of Classification Search**

USPC D28/13, 15, 18, 24, 25, 12, 10; D8/29.1;
34/96-98; 392/380-385

CPC A45D 20/12; A45D 20/00; A45D 20/04;
A45D 20/10; A45D 20/08; A45D 20/122;
A45D 20/124; A45D 20/128

See application file for complete search history.

(56) **References Cited**

U.S. PATENT DOCUMENTS

D253,914 S *	1/1980	Haase	D28/13
D256,280 S *	8/1980	Haase	D28/13
D350,217 S *	8/1994	Rizzuto, Jr.	D28/13
D386,815 S *	11/1997	Muller	D28/13
D398,418 S *	9/1998	Garrett	D28/13
D432,715 S *	10/2000	Harris	D28/13
D460,214 S *	7/2002	Parodi	D28/13
D581,590 S *	11/2008	Leung	D28/13

D600,406 S *	9/2009	Leung	D28/13
D678,607 S *	3/2013	Parodi	D28/13
D715,485 S *	10/2014	Parodi	A45D 20/12
				D28/13
D715,996 S *	10/2014	Dyson	A45D 20/12
				D28/13
D782,731 S *	3/2017	Smith	D28/13
D782,732 S *	3/2017	Smith	D28/13
D791,407 S *	7/2017	Smith	D28/13
9,808,067 B2 *	11/2017	Sutter	A45D 20/10
D815,353 S *	4/2018	Barbar	D28/13
D821,647 S *	6/2018	Parodi	D28/13
D822,900 S *	7/2018	Pavis	D28/15
D832,510 S *	10/2018	Kuzia	D28/18
2016/0206077 A1 *	7/2016	Stephens	A45D 20/12

(Continued)

Primary Examiner — Janice Hallmark
Assistant Examiner — Rebecca Tsehaye

(57) **CLAIM**

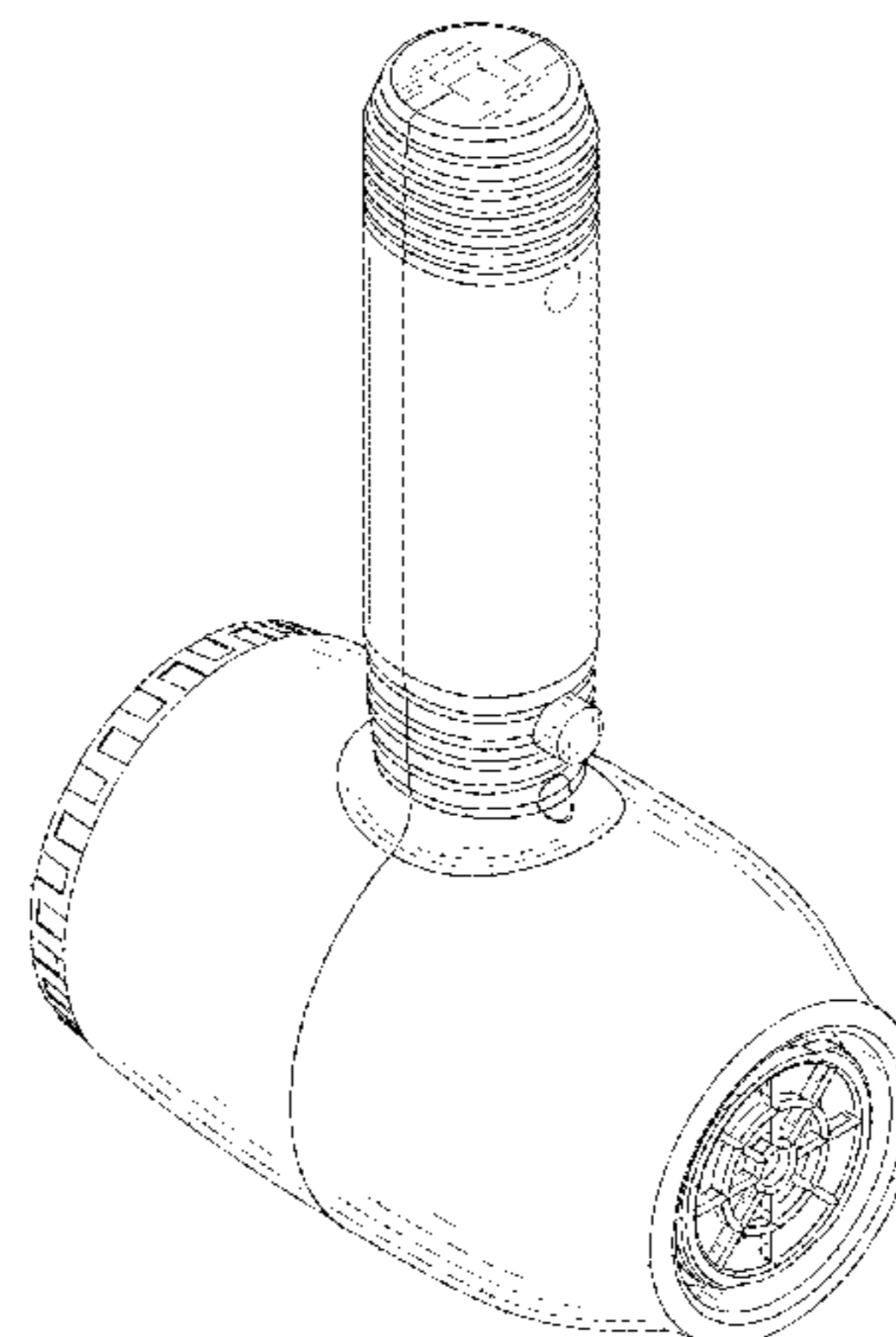
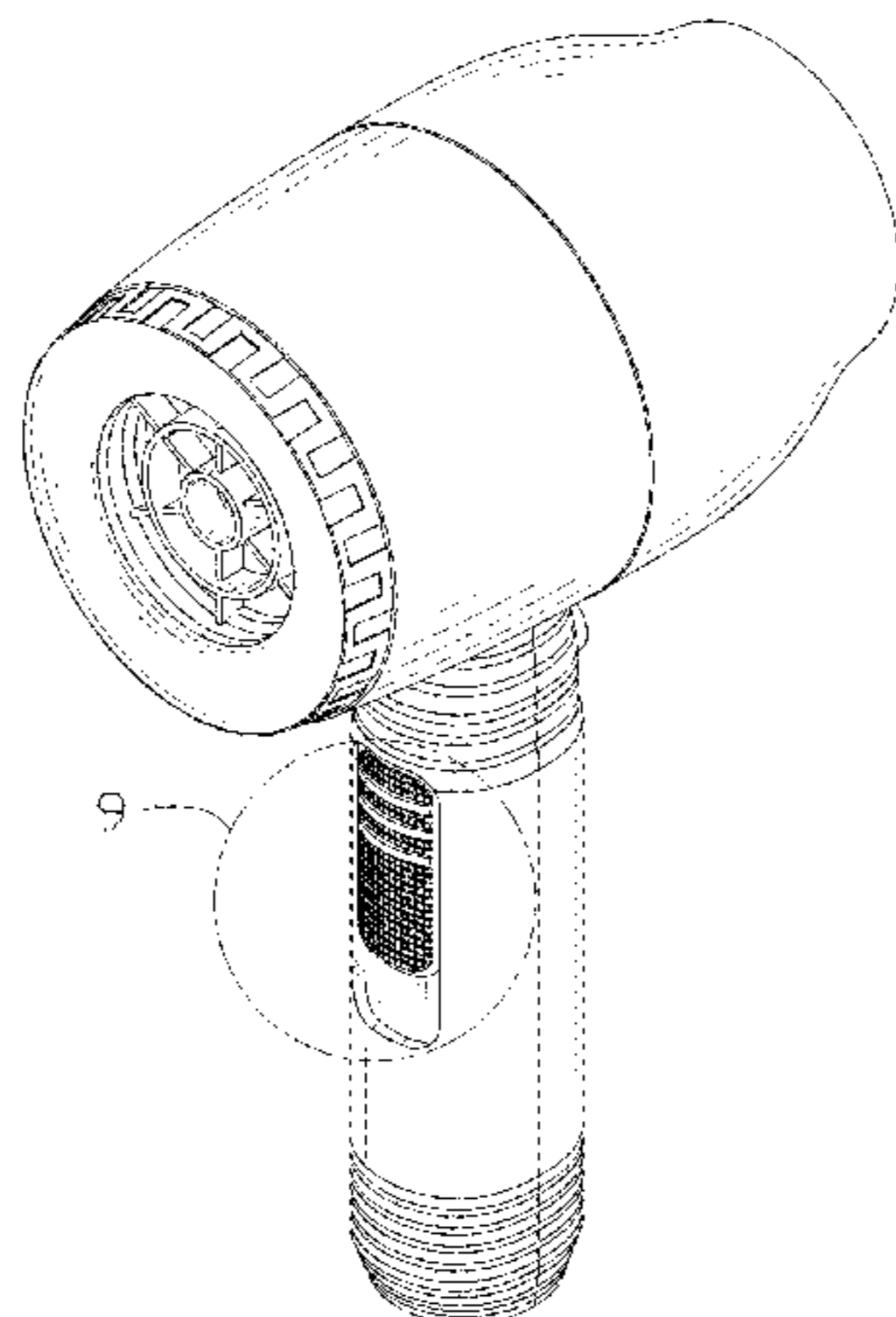
The ornamental design for a hair dryer, as shown.

DESCRIPTION

FIG. 1 is a top perspective view of a hair dryer showing my new design;
FIG. 2 is a bottom perspective view thereof;
FIG. 3 is a front elevational view thereof;
FIG. 4 is a rear elevational view thereof;
FIG. 5 is a left side elevational view thereof;
FIG. 6 is a right side elevational view thereof;
FIG. 7 is a top plan view thereof;
FIG. 8 is a bottom plan view thereof; and,
FIG. 9 is an enlarged view of the encircled portion 9 in FIG. 1.

The broken lines are for the purpose of illustrating portions of the hair dryer that form no part of the claimed design. The dot-dash broken lines encircling portions of the claimed design that are illustrated in enlargements form no part of the claimed design.

1 Claim, 9 Drawing Sheets



(56)

References Cited

U.S. PATENT DOCUMENTS

2017/0112256 A1* 4/2017 Bobillier A45D 20/08
2017/0112258 A1* 4/2017 Blanc A45D 20/12

* cited by examiner

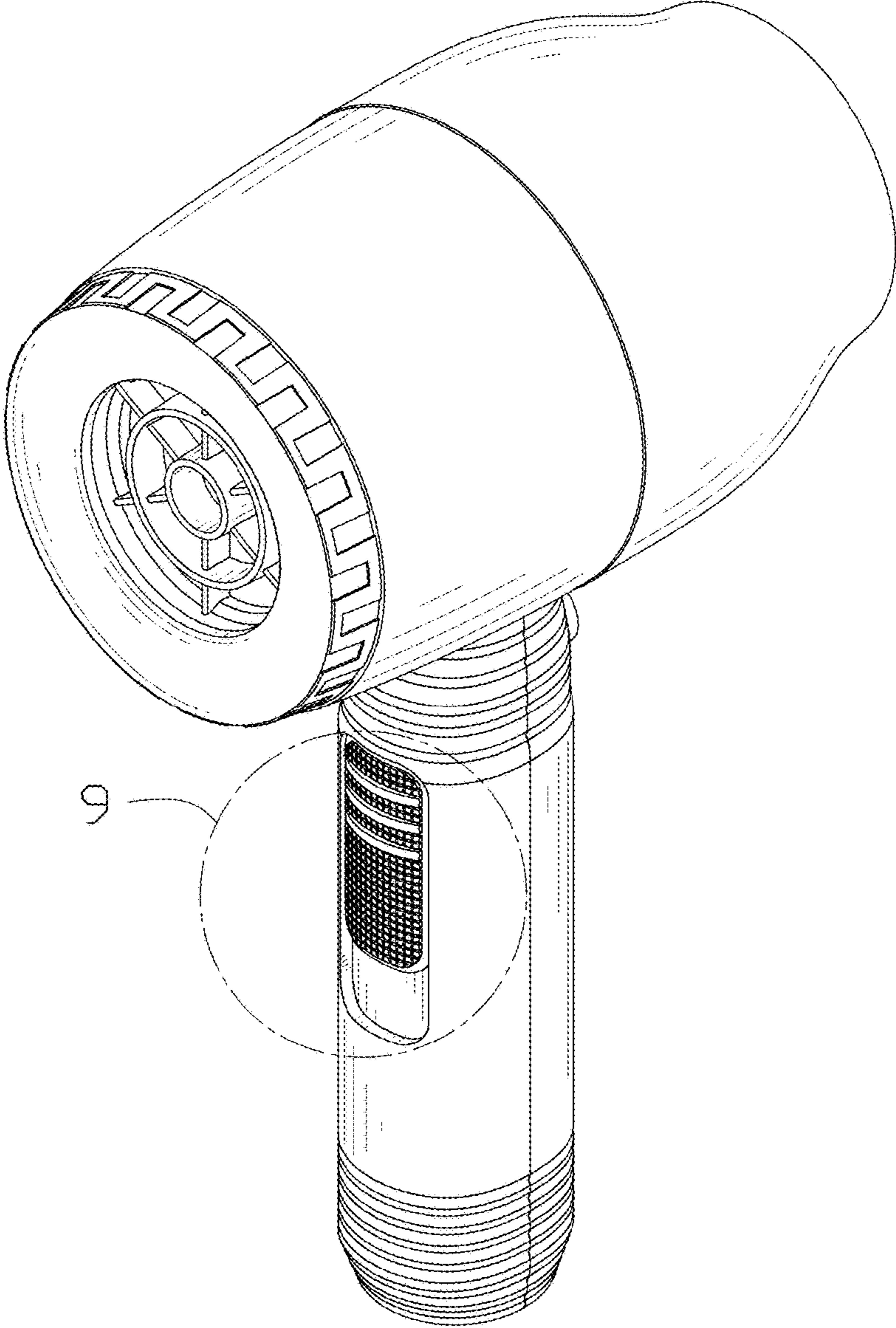


FIG. 1

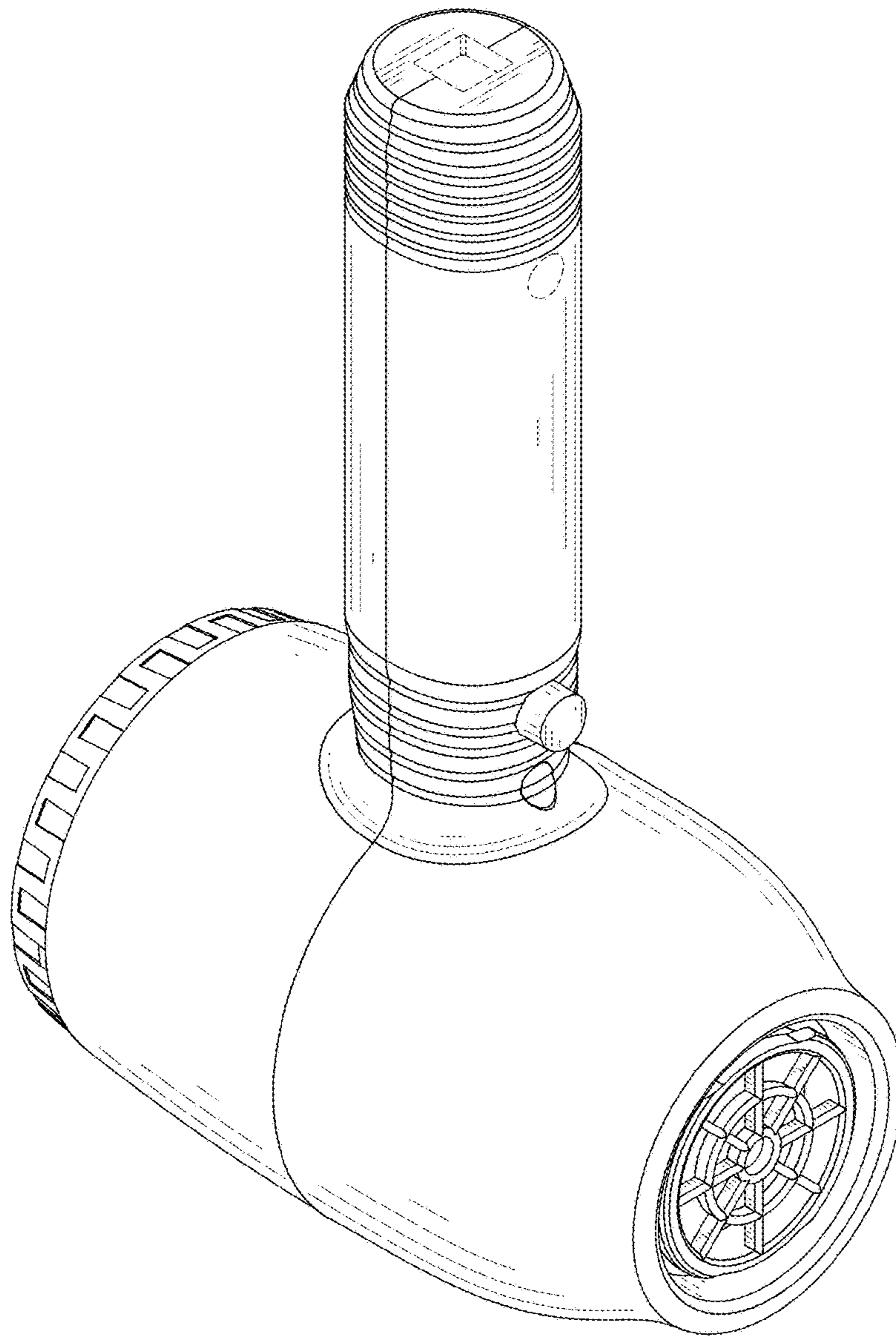


FIG. 2

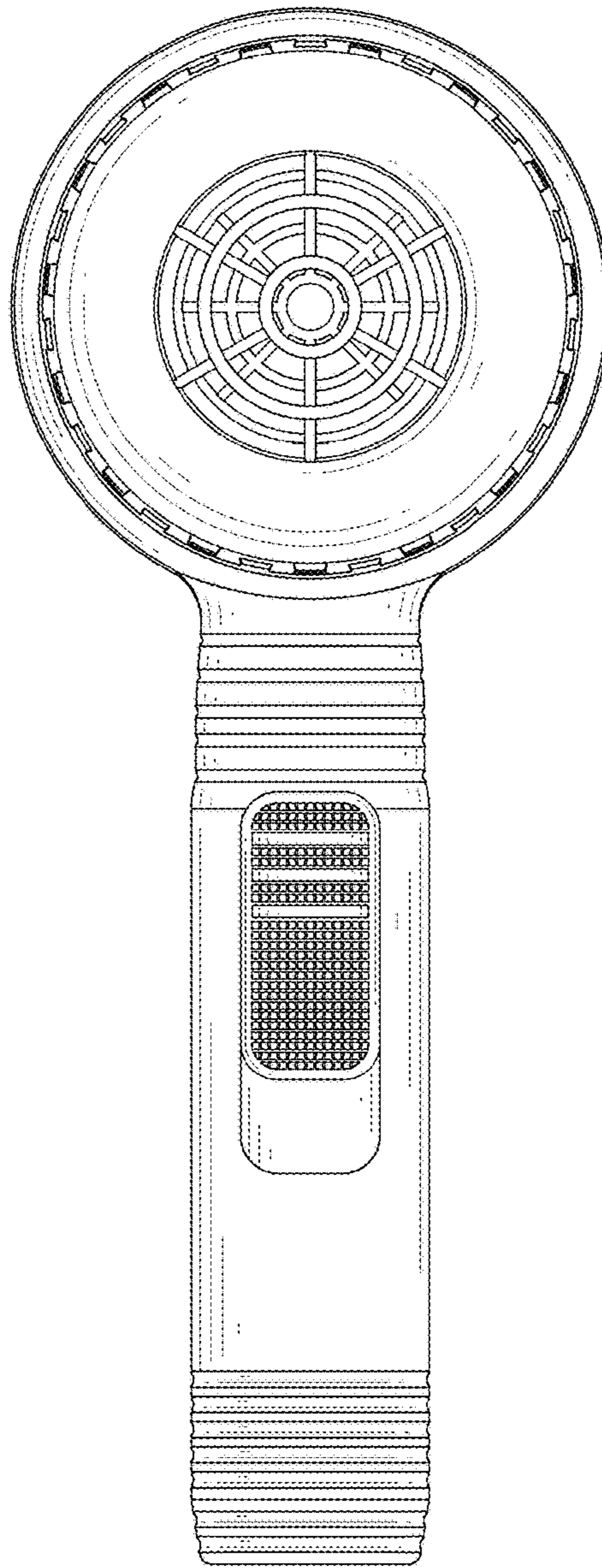


FIG. 3

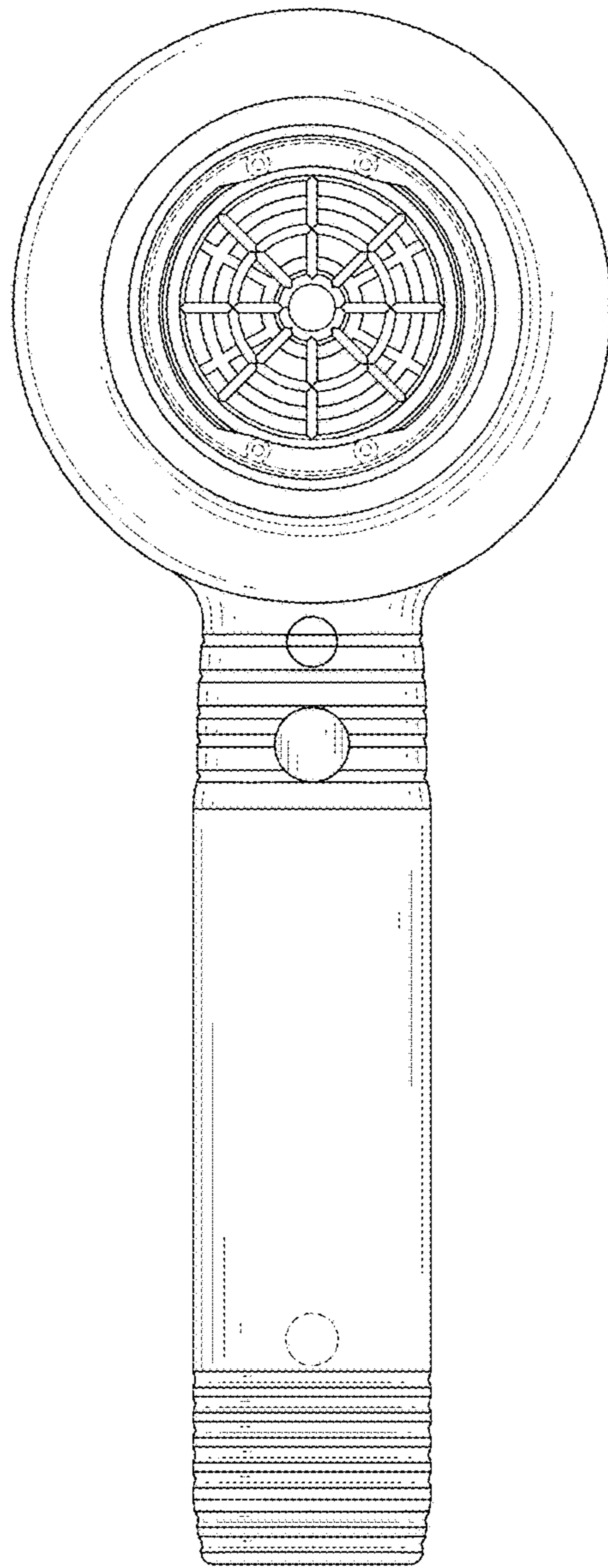


FIG. 4

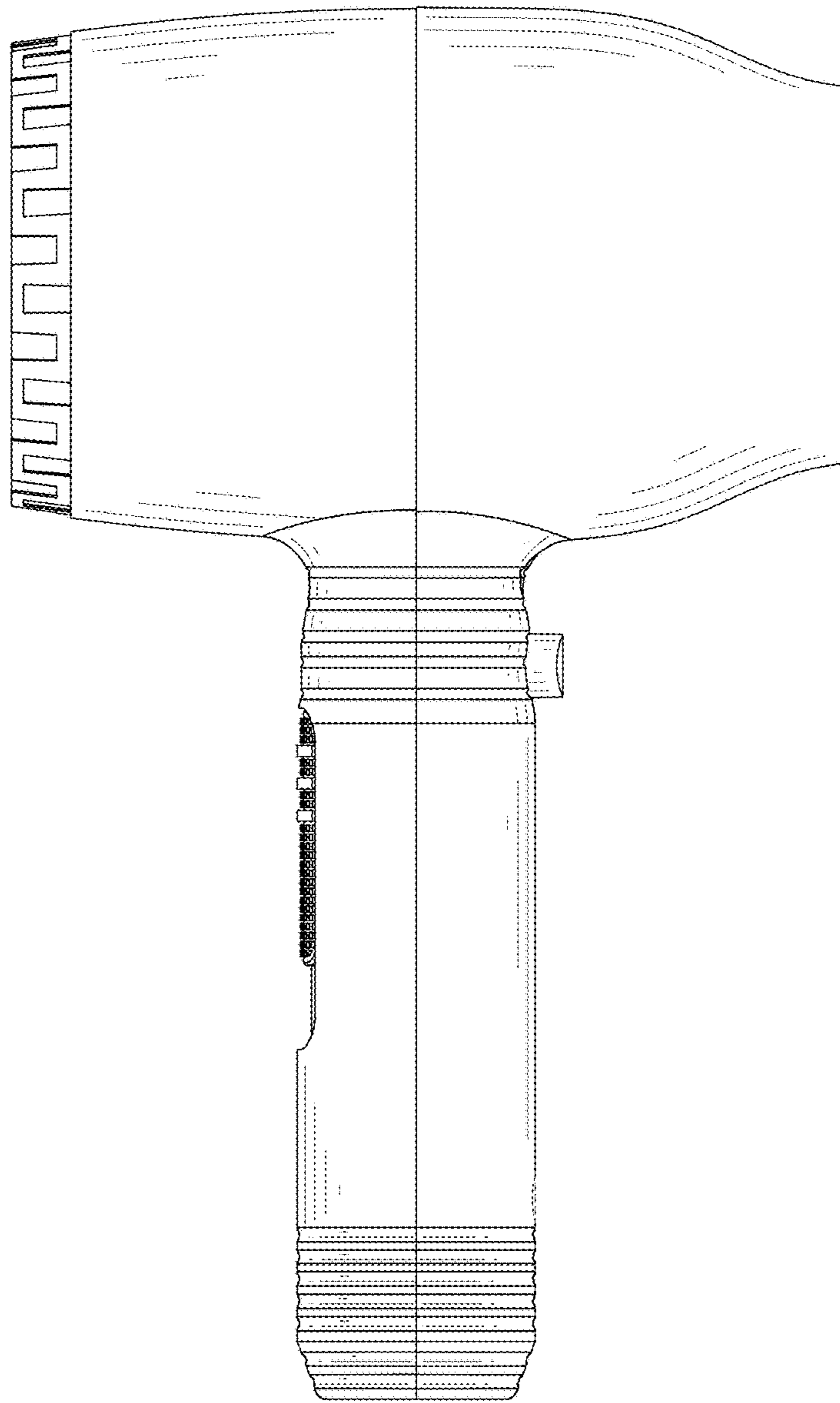


FIG. 5

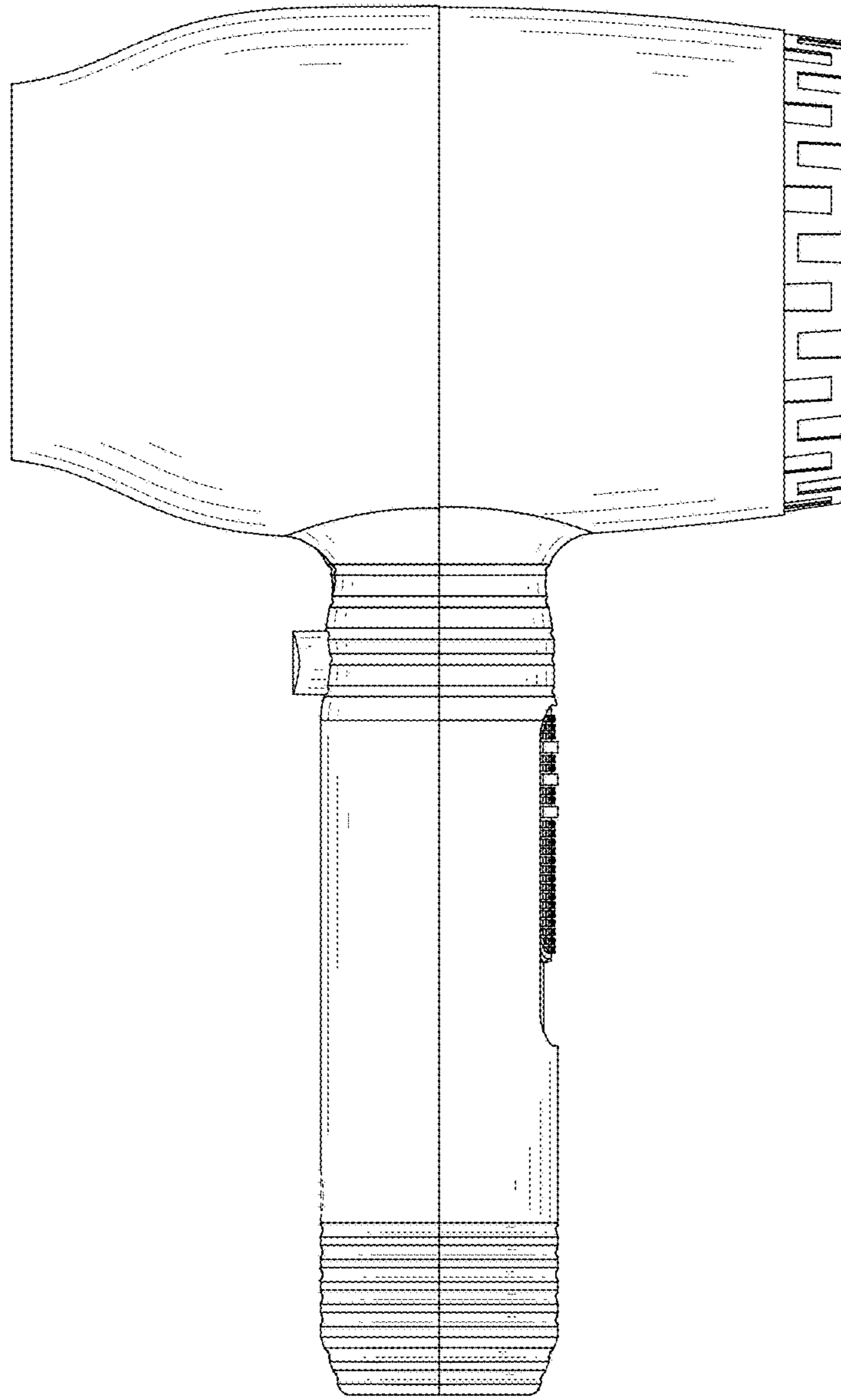


FIG. 6

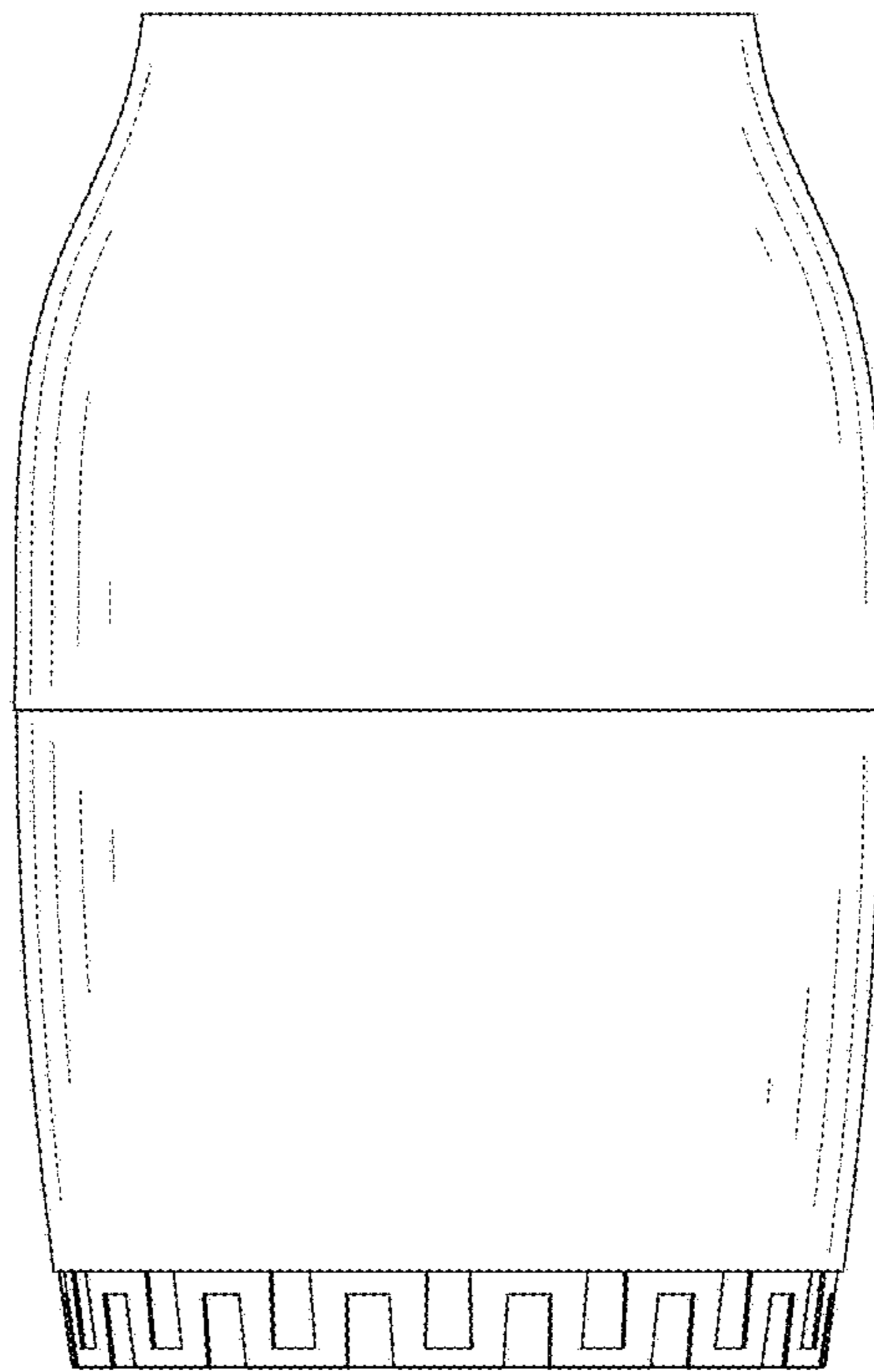


FIG. 7

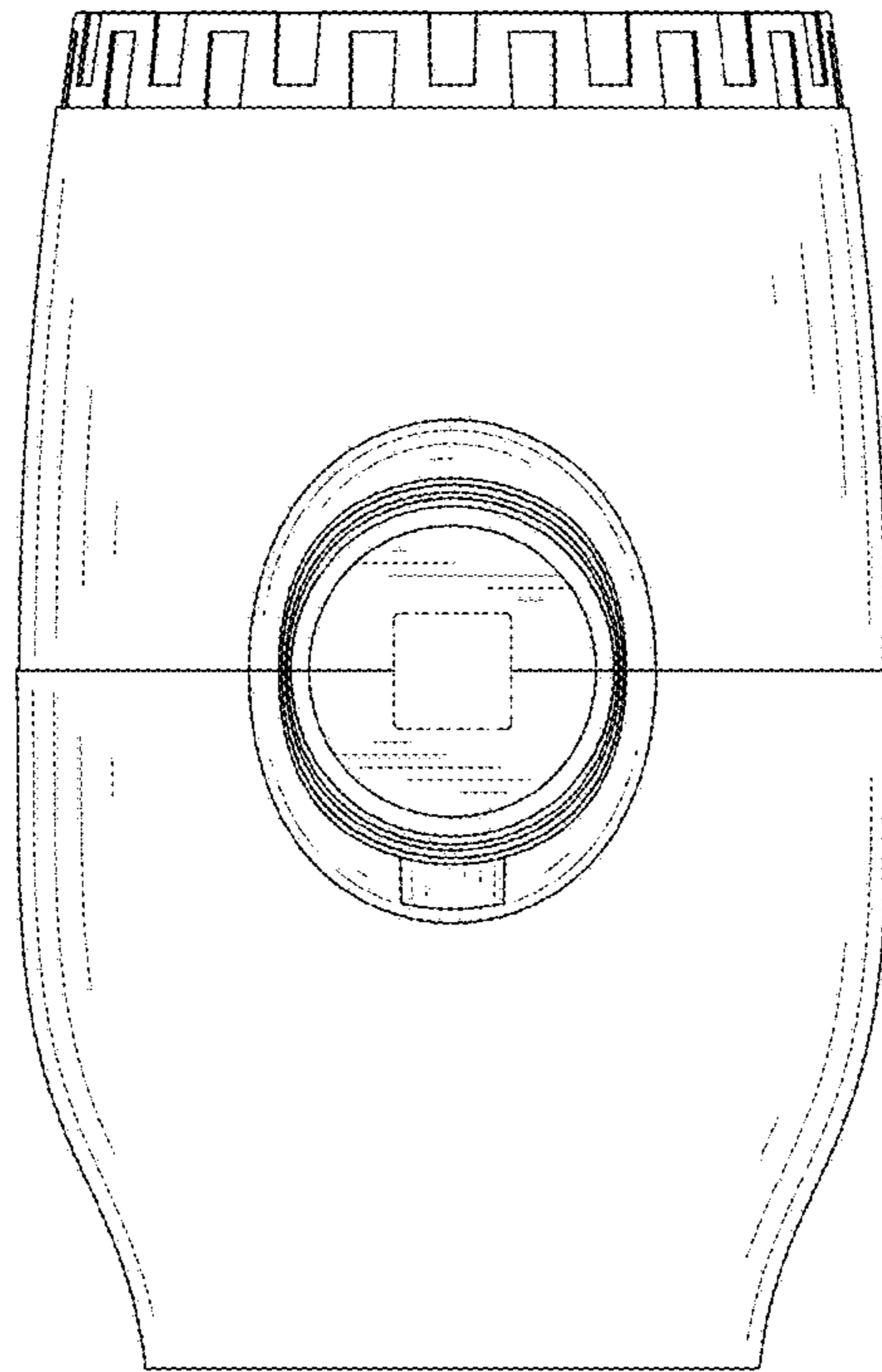


FIG. 8

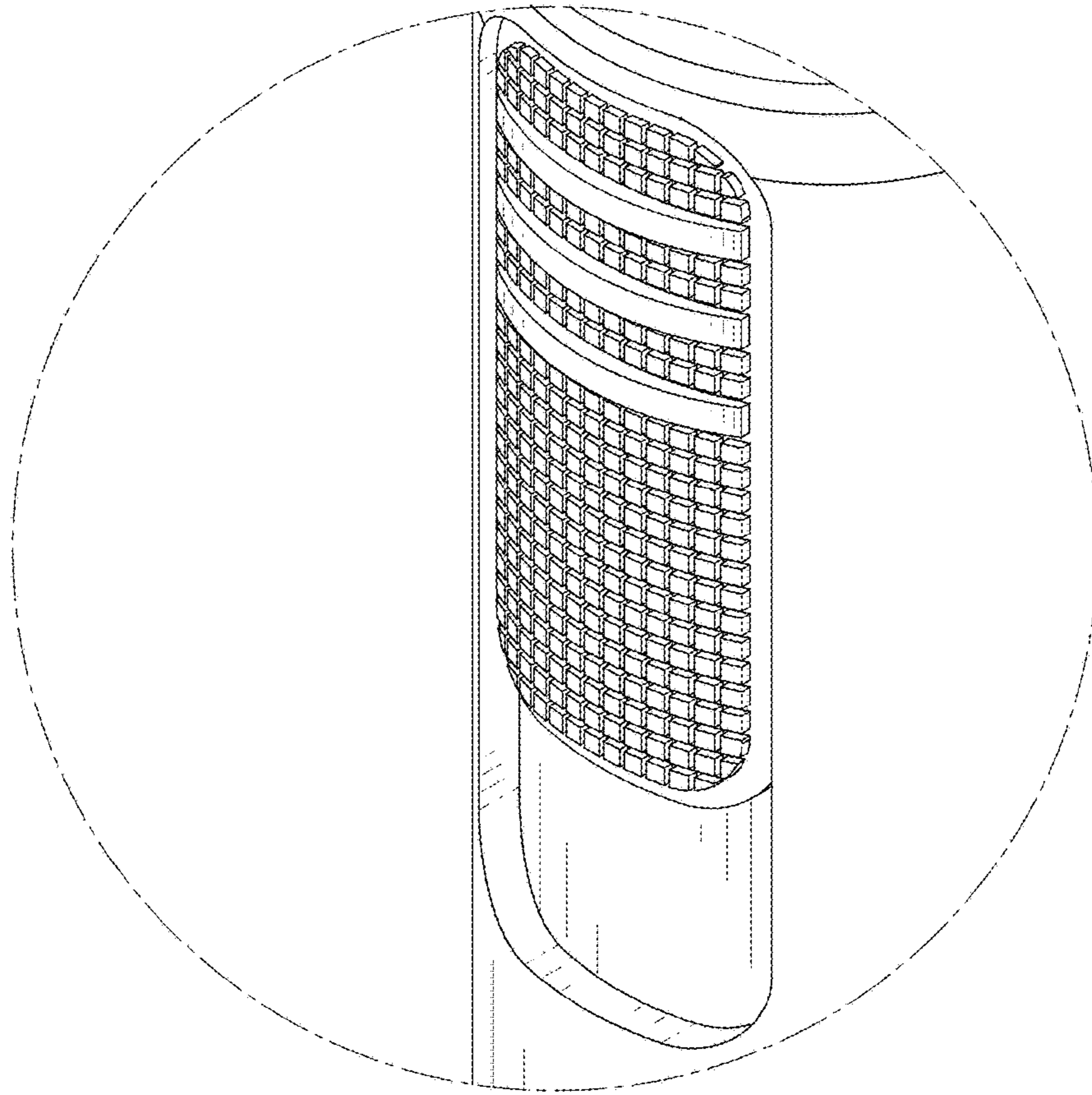


FIG. 9