



US00D850716S

(12) **United States Design Patent** (10) **Patent No.:** **US D850,716 S**
Jin (45) **Date of Patent:** **** Jun. 4, 2019**

(54) **HAIR DRYER**

(71) Applicant: **Shenzhen DJ Innovation Industry Co., Ltd.**, Shenzhen (CN)

(72) Inventor: **Bo Jin**, Shenzhen (CN)

(**) Term: **15 Years**

(21) Appl. No.: **29/632,569**

(22) Filed: **Jan. 9, 2018**

(30) **Foreign Application Priority Data**

Nov. 29, 2017 (CN) 2017 3 0597617

(51) **LOC (11) Cl.** **28-03**

(52) **U.S. Cl.**
USPC **D28/13**

(58) **Field of Classification Search**
USPC D28/13, 15, 18, 24, 25, 12, 10; 132/271, 132/272
CPC A45D 20/12; A45D 20/00; A45D 20/04; A45D 20/10; A45D 20/08; A45D 20/122; A45D 20/128
See application file for complete search history.

(56) **References Cited**

U.S. PATENT DOCUMENTS

- D715,996 S * 10/2014 Dyson A45D 20/12 D28/13
- D782,731 S * 3/2017 Smith D28/13
- D782,732 S * 3/2017 Smith D28/13
- D782,733 S * 3/2017 Smith D28/13
- D791,407 S * 7/2017 Smith D28/13

- 9,808,067 B2 * 11/2017 Sutter A45D 20/10
- 2015/0026993 A1 * 1/2015 Sutter A45D 20/10 34/96
- 2016/0206075 A1 * 7/2016 Stephens A45D 20/12
- 2016/0206076 A1 * 7/2016 Stephens A45D 20/10
- 2016/0206077 A1 * 7/2016 Stephens A45D 20/12
- 2017/0112256 A1 * 4/2017 Bobillier A45D 20/08
- 2017/0112258 A1 * 4/2017 Blanc A45D 20/12
- 2017/0150796 A1 * 6/2017 Stephens A45D 20/12
- 2017/0150797 A1 * 6/2017 Imhasly A45D 20/10
- 2017/0164709 A1 * 6/2017 Laveni A45D 20/10
- 2017/0164710 A1 * 6/2017 Warne A45D 20/50

* cited by examiner

Primary Examiner — Susan Bennett Hattan

Assistant Examiner — Rebecca Tsehaye

(74) *Attorney, Agent, or Firm* — W&K IP

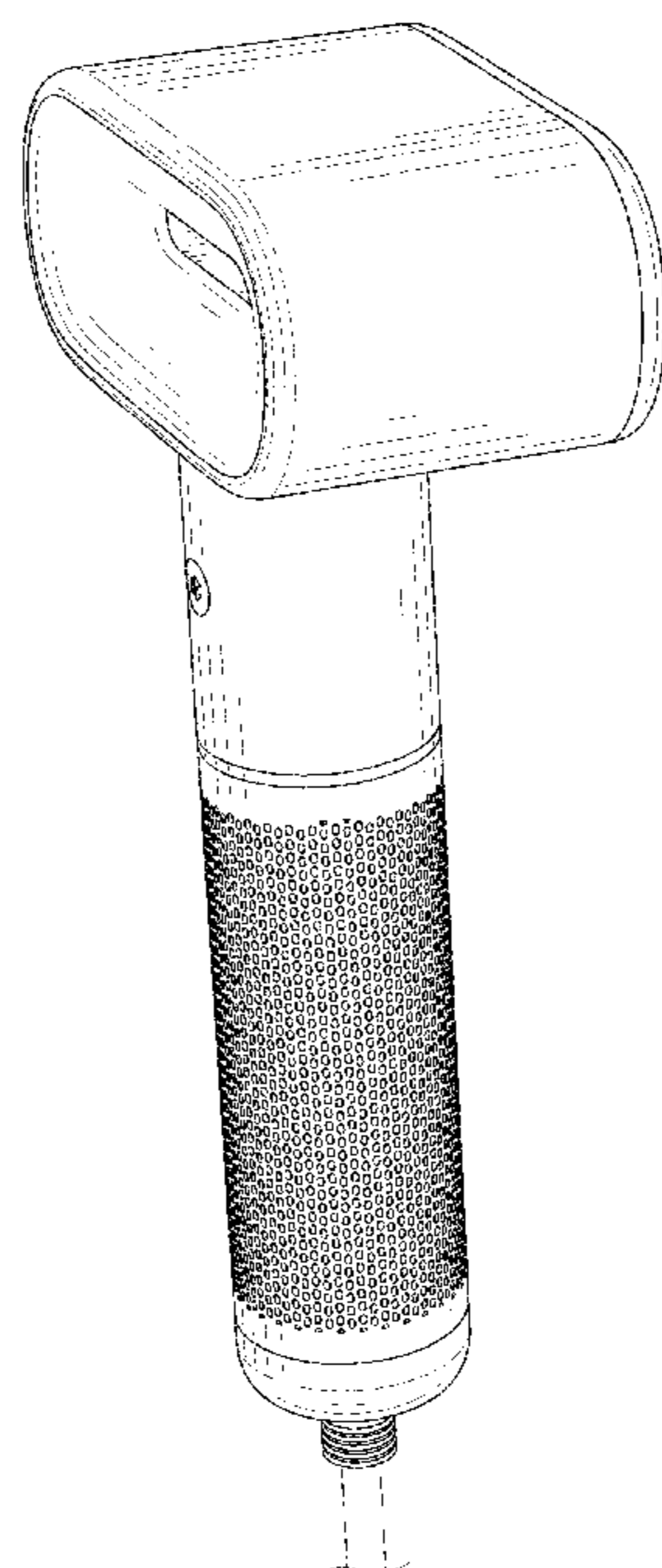
(57) **CLAIM**

The ornamental design for a hair dryer, as shown and described.

DESCRIPTION

FIG. 1 is a perspective view of a hair dryer; FIG. 2 is another perspective view thereof; FIG. 3 is a front view thereof; FIG. 4 is a back view thereof; FIG. 5 is a left side view thereof; FIG. 6 is a right side view thereof; FIG. 7 is a top plan view thereof; and, FIG. 8 is a bottom plan view thereof. The broken lines in the drawings depict portions of the hair dryer that form no part of the claimed design.

1 Claim, 8 Drawing Sheets



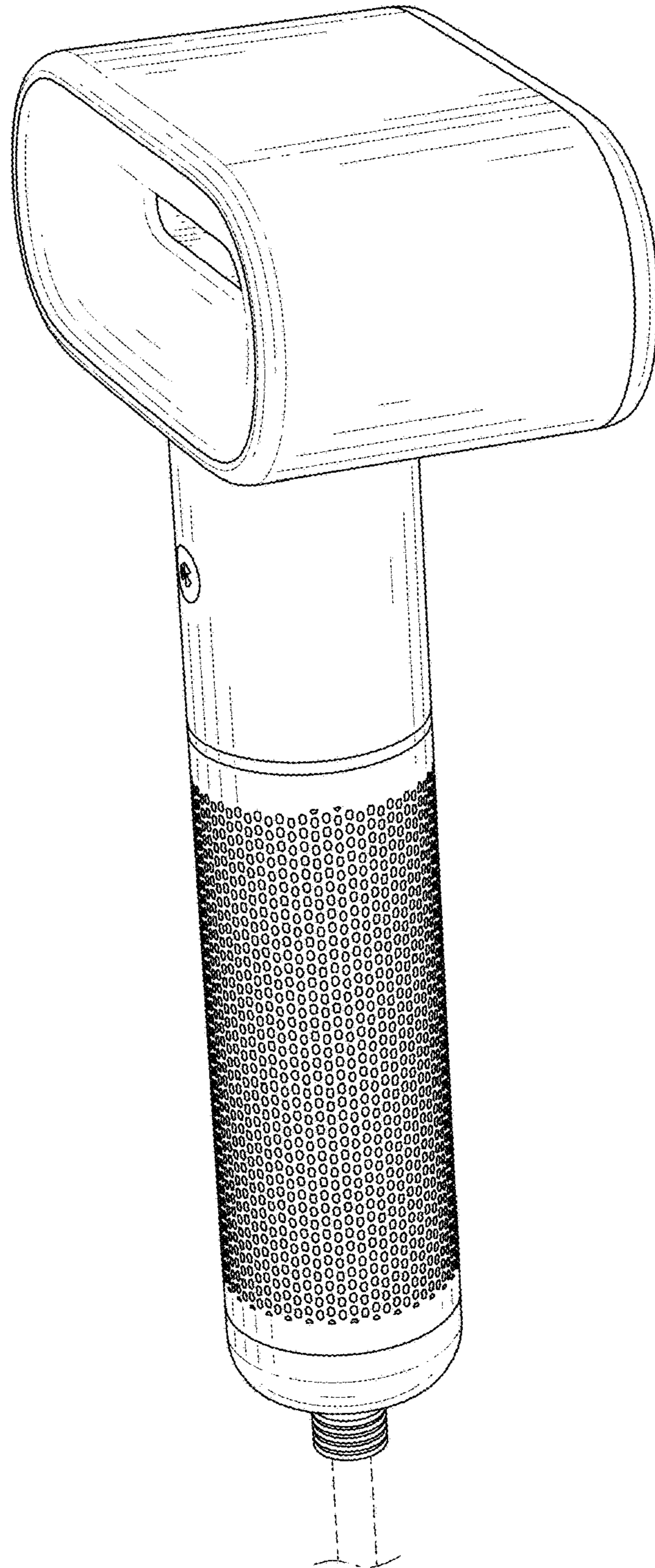


FIG. 1

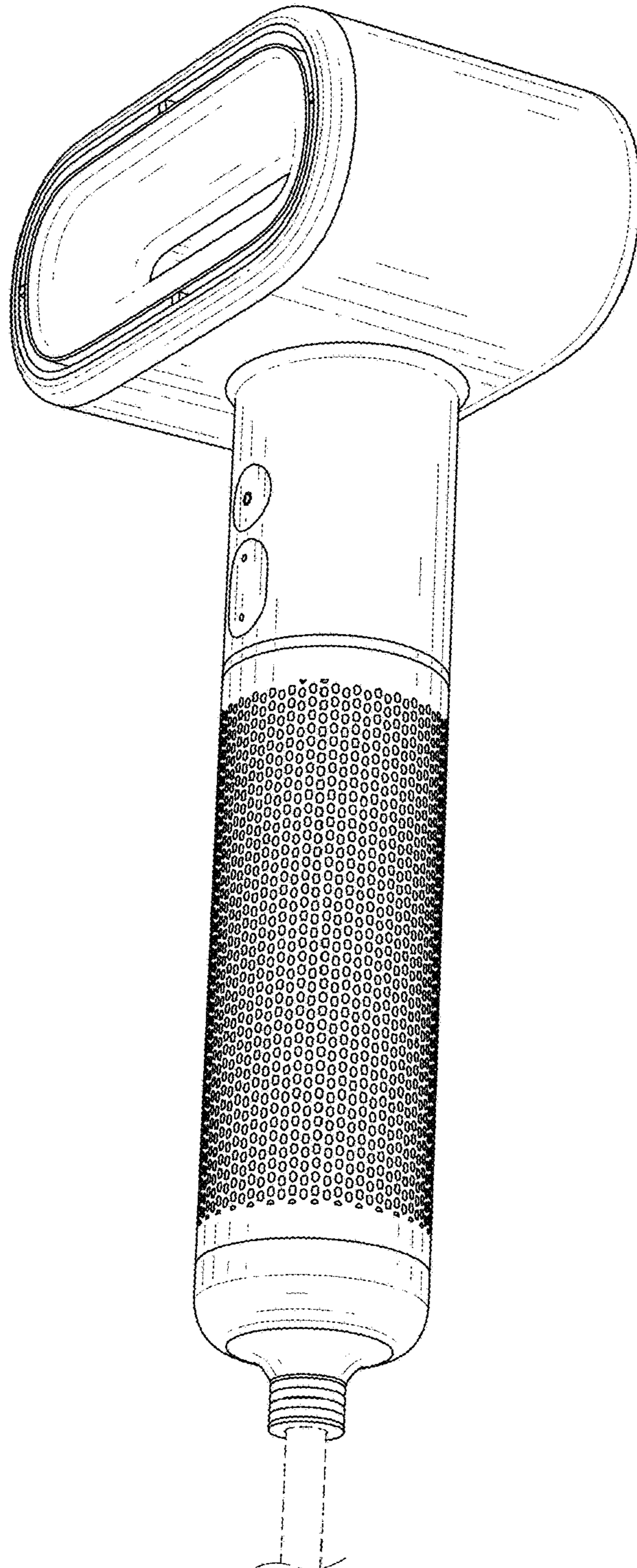


FIG. 2

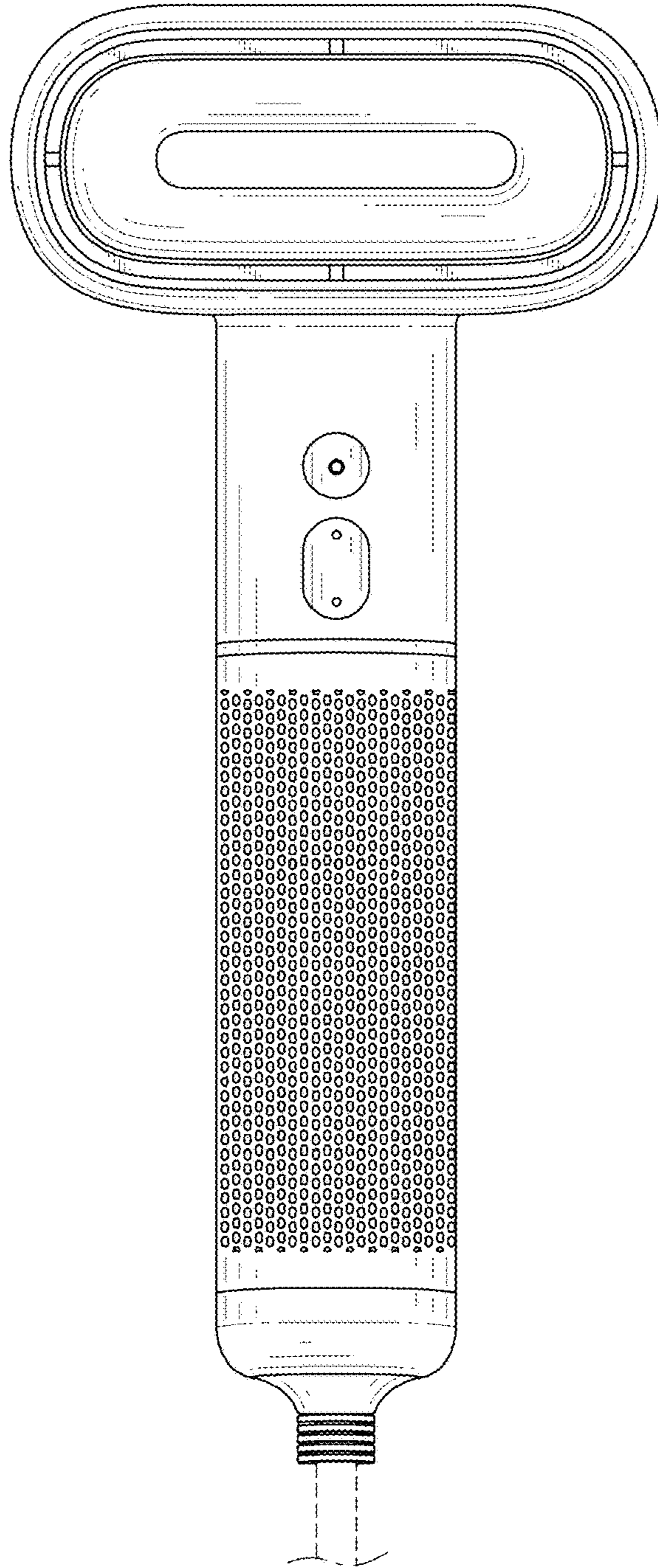


FIG. 3

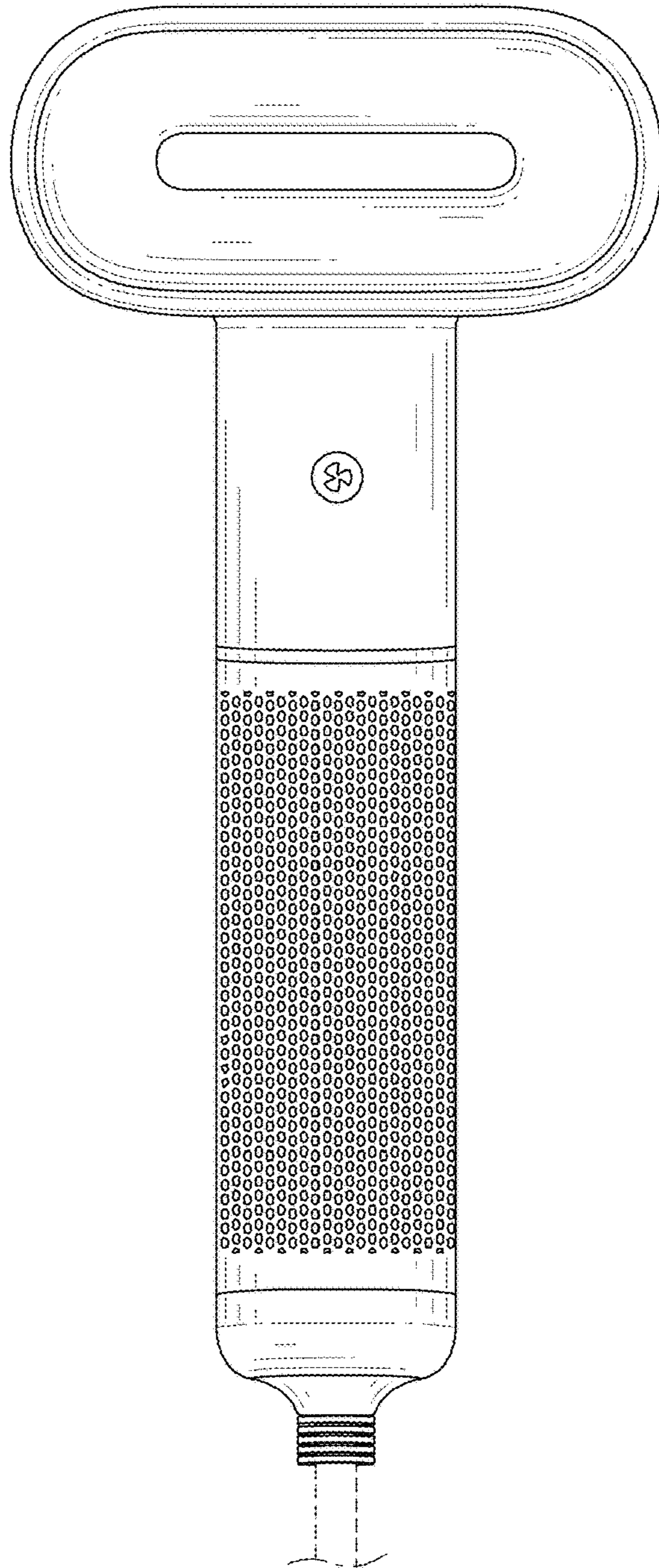


FIG. 4

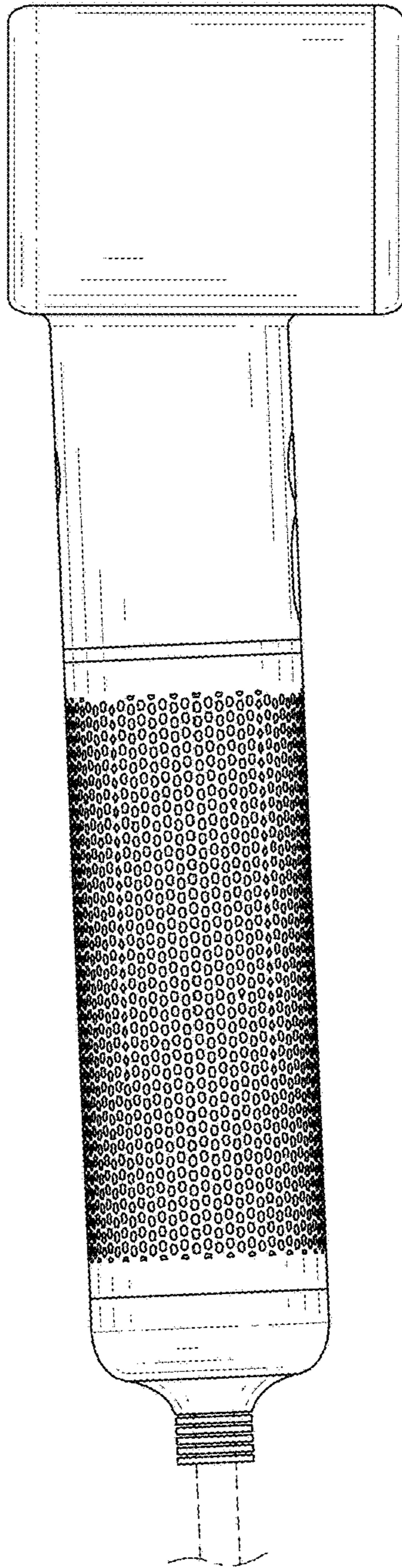


FIG. 5

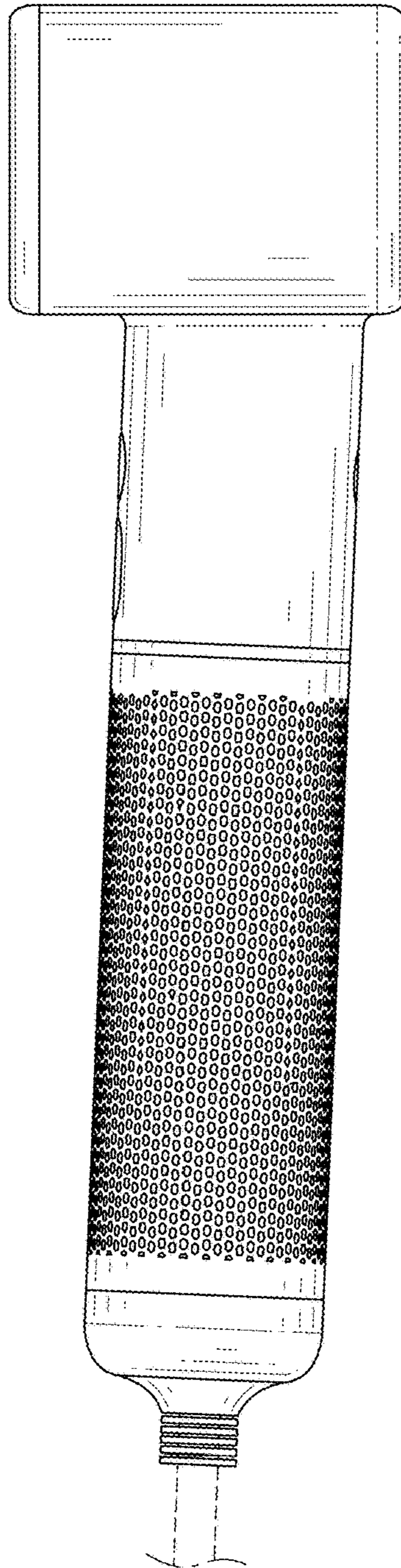


FIG. 6

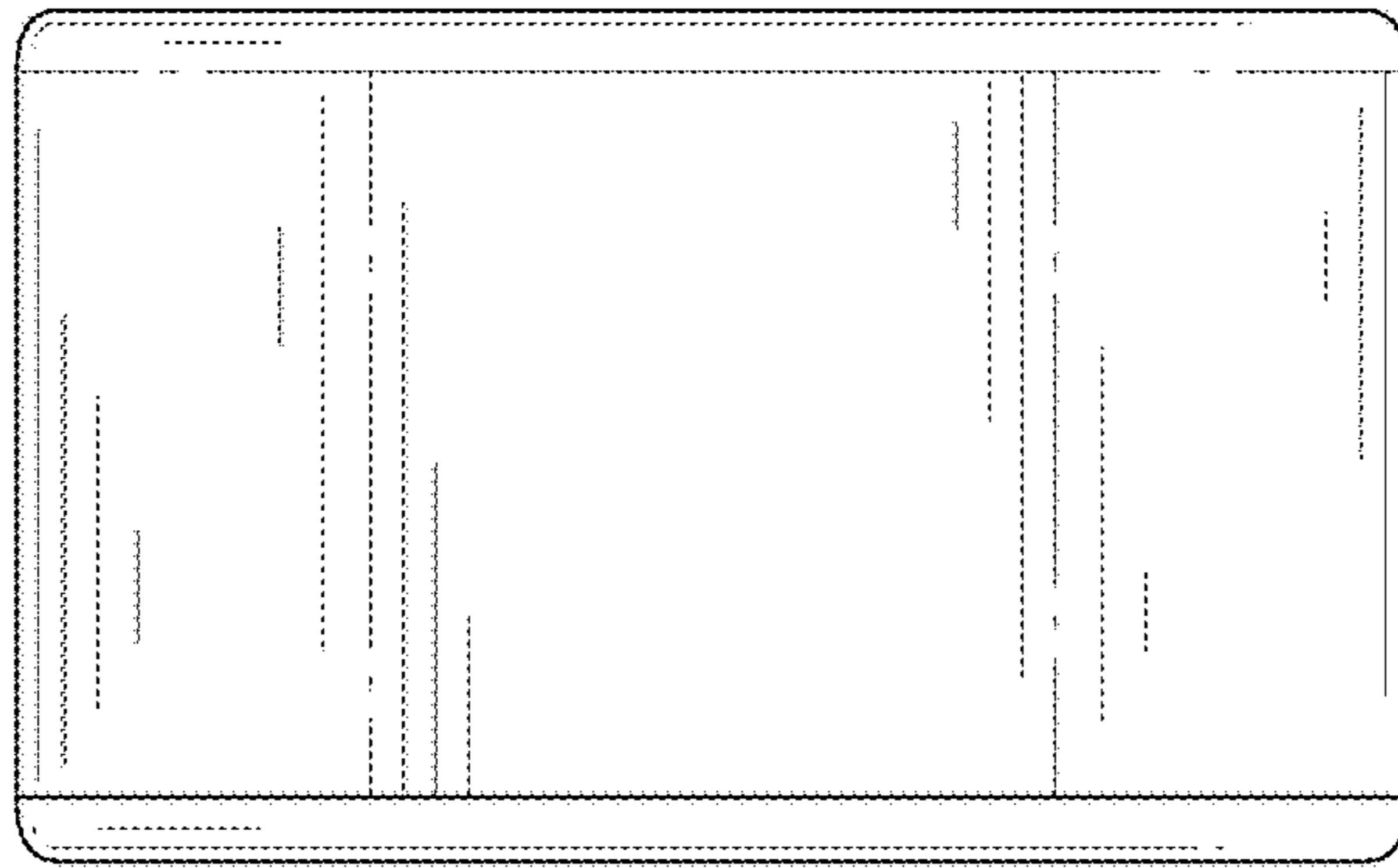


FIG. 7

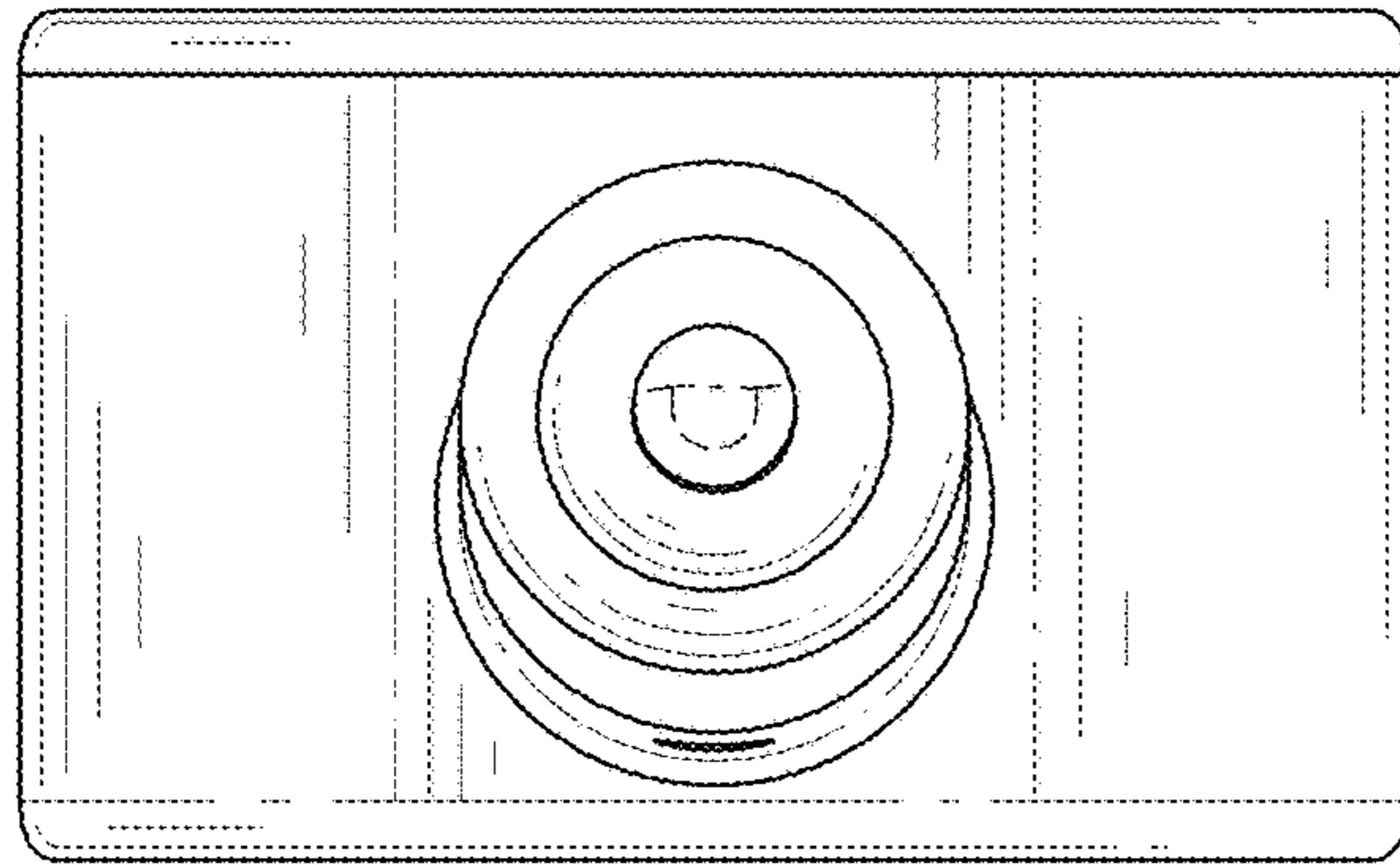


FIG. 8